



US00D327536S

United States Patent [19]
Smith

[11] **Patent Number: Des. 327,536**
[45] **Date of Patent: ** Jun. 30, 1992**

[54] **AIR PURIFYING UNIT FOR REMOVING SMOKE FROM THE INTERIOR OF A CAR**

[76] **Inventor: Shawn D. Smith, P.O. Box 3046, Littleton, Colo. 90161**

[**] **Term: 14 Years**

[21] **Appl. No.: 691,117**

[22] **Filed: Apr. 25, 1991**

[52] **U.S. Cl. D23/364**

[58] **Field of Search D23/355-365; 55/385.2; 131/238**

FOREIGN PATENT DOCUMENTS

714619 of 1931 France .
1241778 of 1960 France .
70321 5/1980 Japan 131/238

Primary Examiner—Wallace R. Burke
Assistant Examiner—Lisa Lichtenstein
Attorney, Agent, or Firm—Terry M. Gernstein

[57] **CLAIM**

The ornamental design for an air purifying unit for removing smoke from the interior of a car, as shown.

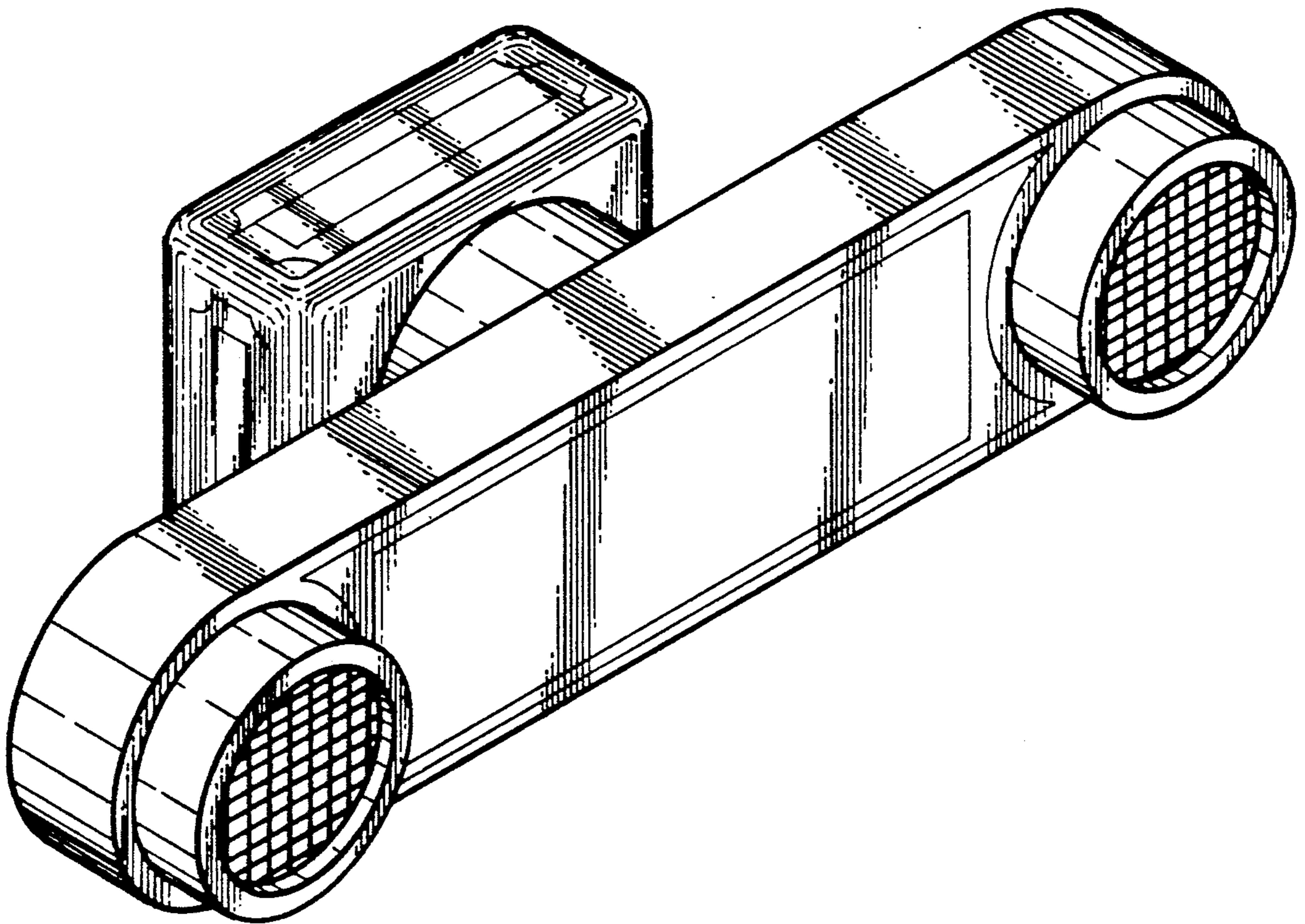
DESCRIPTION

FIG. 1 is a top, front and right side perspective view of an air purifying unit for removing smoke from the interior of a car showing my new design;
FIG. 2 is an enlarged front elevation view thereof;
FIG. 3 is an enlarged rear elevation view thereof;
FIG. 4 is an enlarged left side elevation view thereof;
FIG. 5 is an enlarged right side elevation view thereof;
FIG. 6 is an enlarged top plan view thereof; and,
FIG. 7 is an enlarged bottom plan view thereof.

[56] **References Cited**

U.S. PATENT DOCUMENTS

D. 169,041	3/1953	Johnson	131/238
3,807,148	4/1974	Fike et al.	131/238
4,201,233	5/1980	Jean	131/237
4,570,647	2/1986	Pater	131/237
4,643,204	2/1987	Ford	131/231
4,722,747	2/1988	Armbruster	55/385.2
4,890,632	1/1990	Diamond	131/235.1



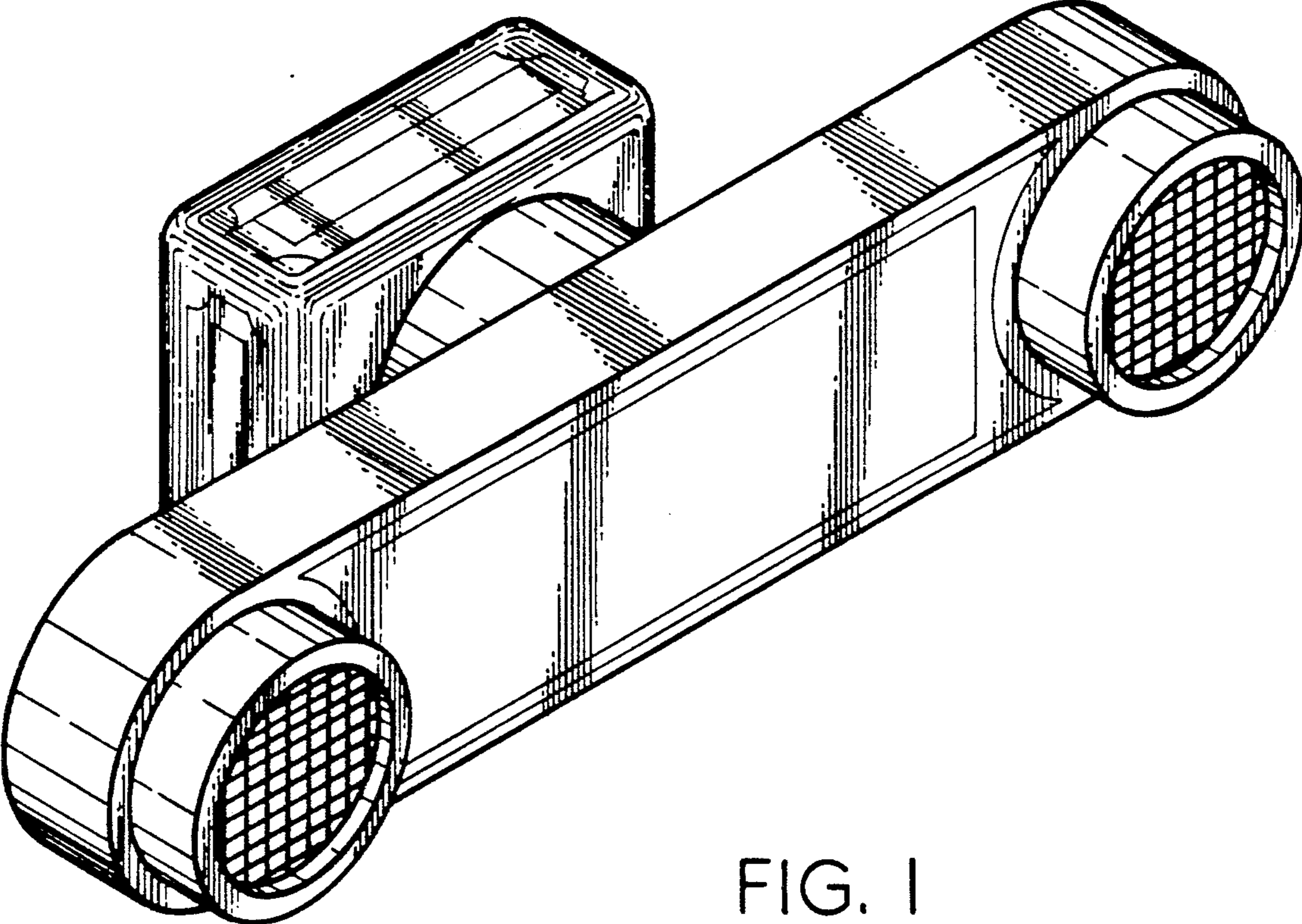


FIG. 1

FIG. 4

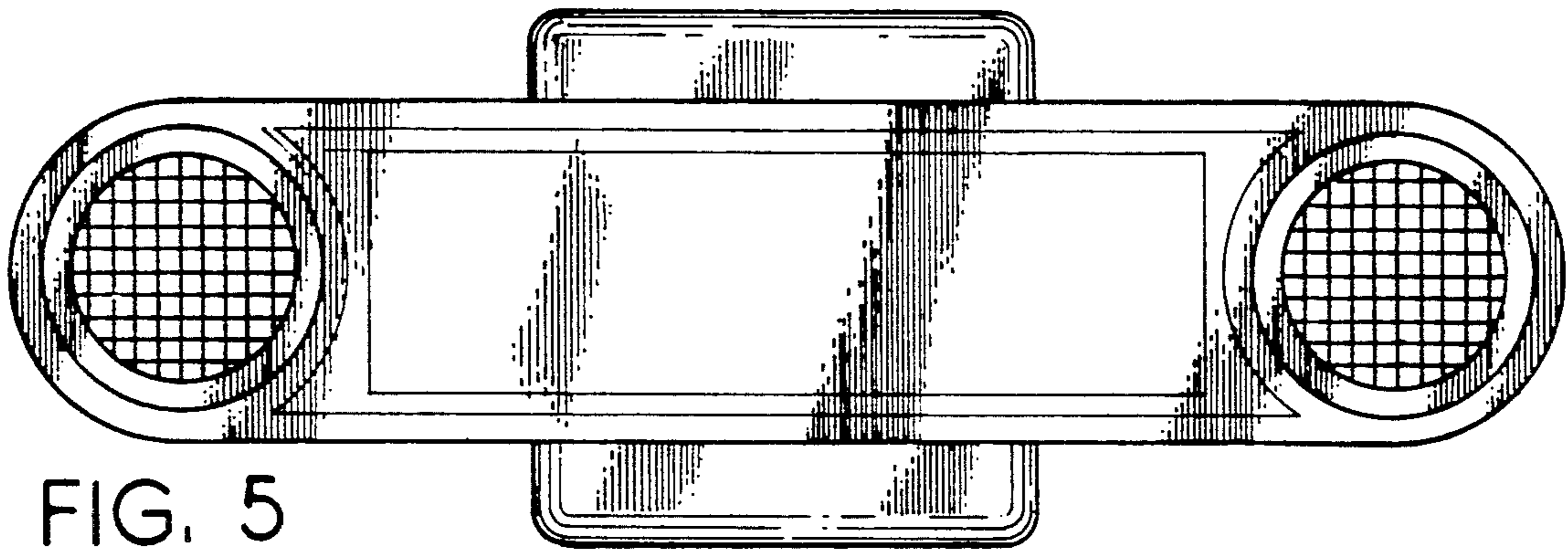
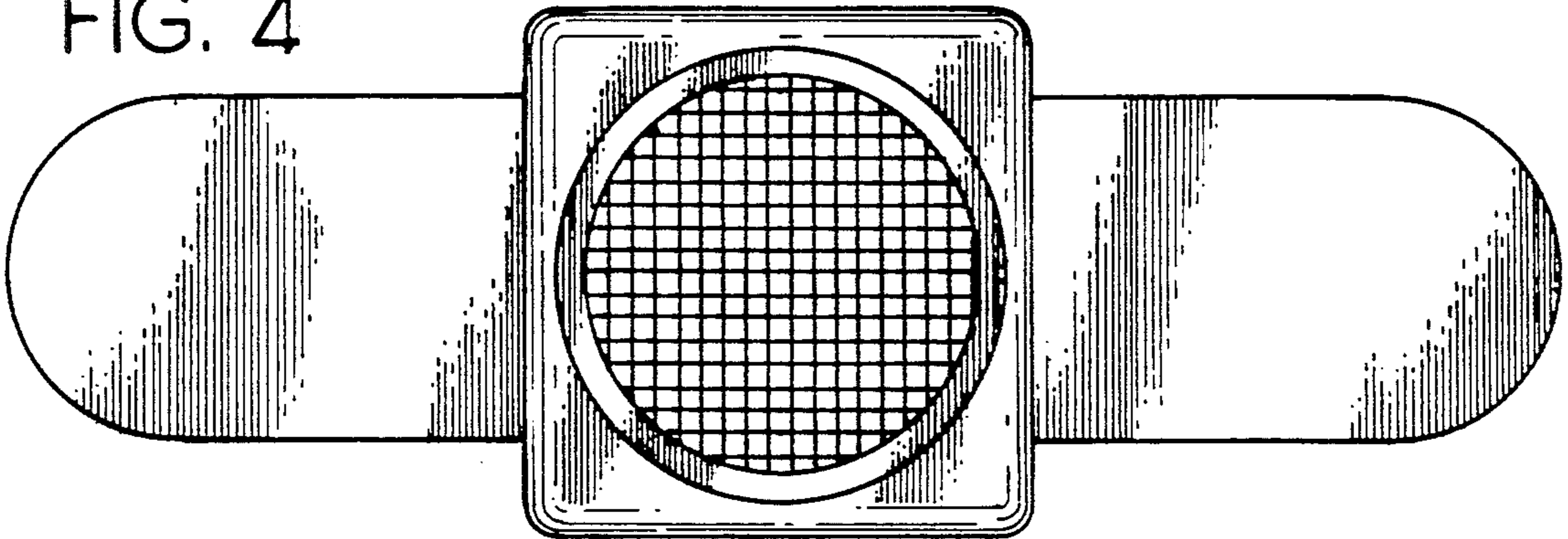


FIG. 5

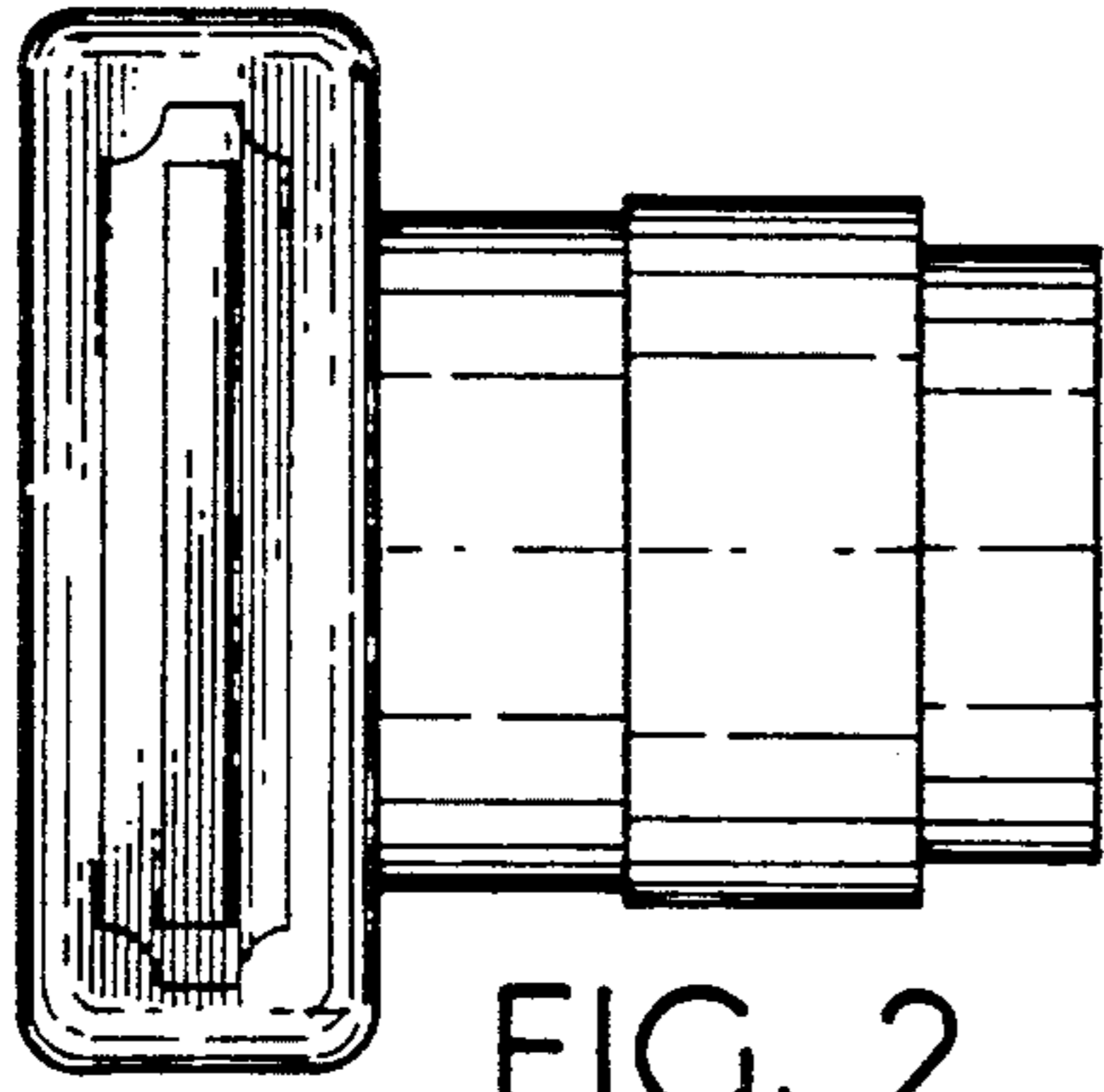


FIG. 2

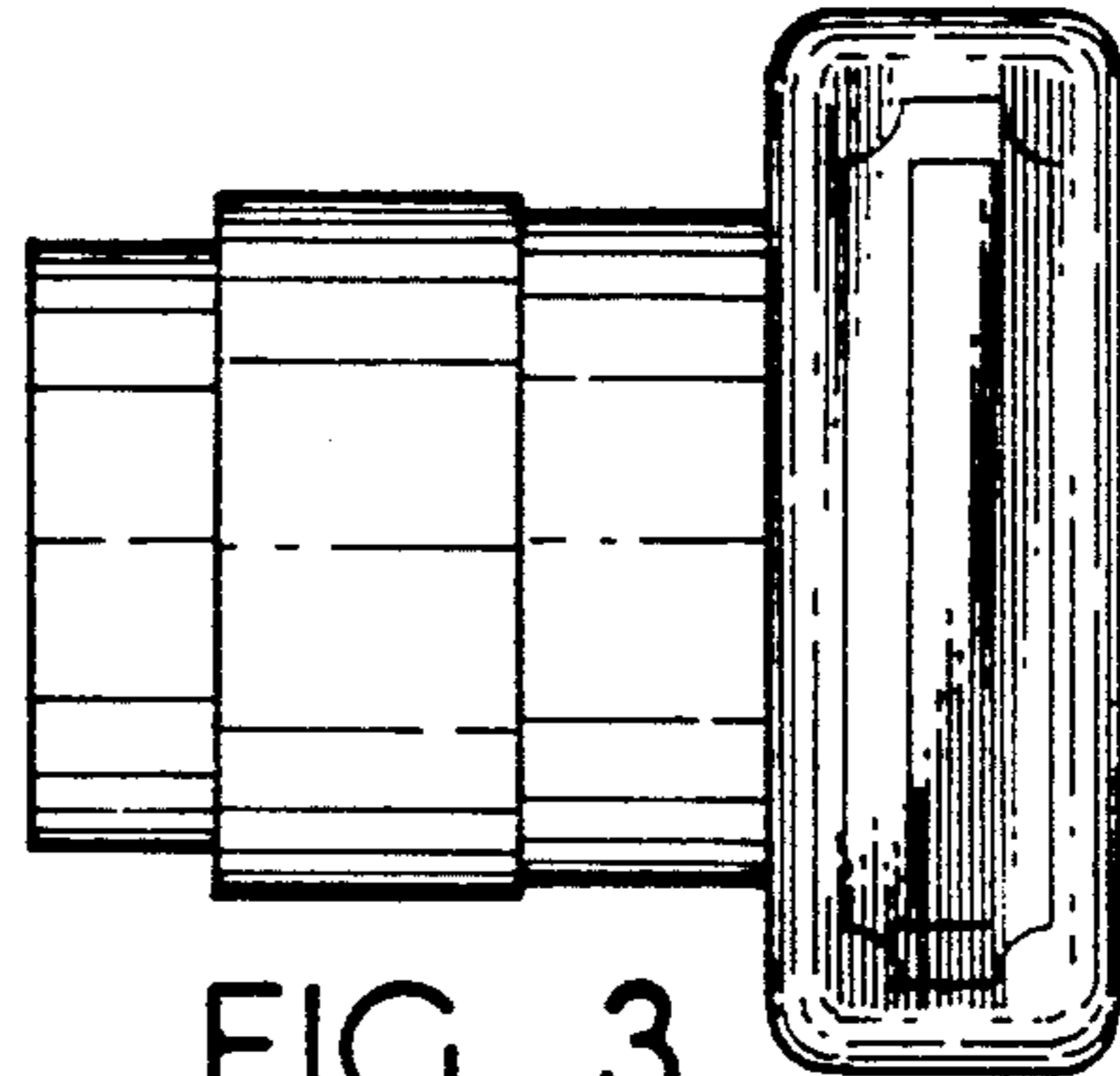


FIG. 3

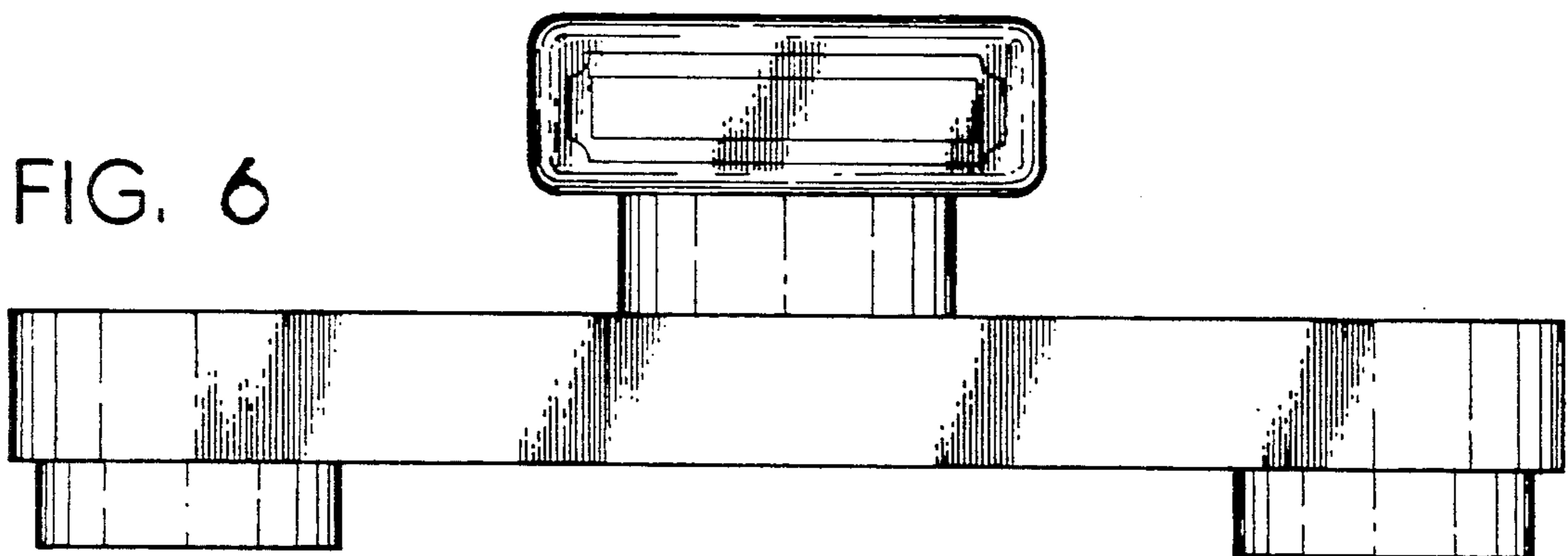


FIG. 6

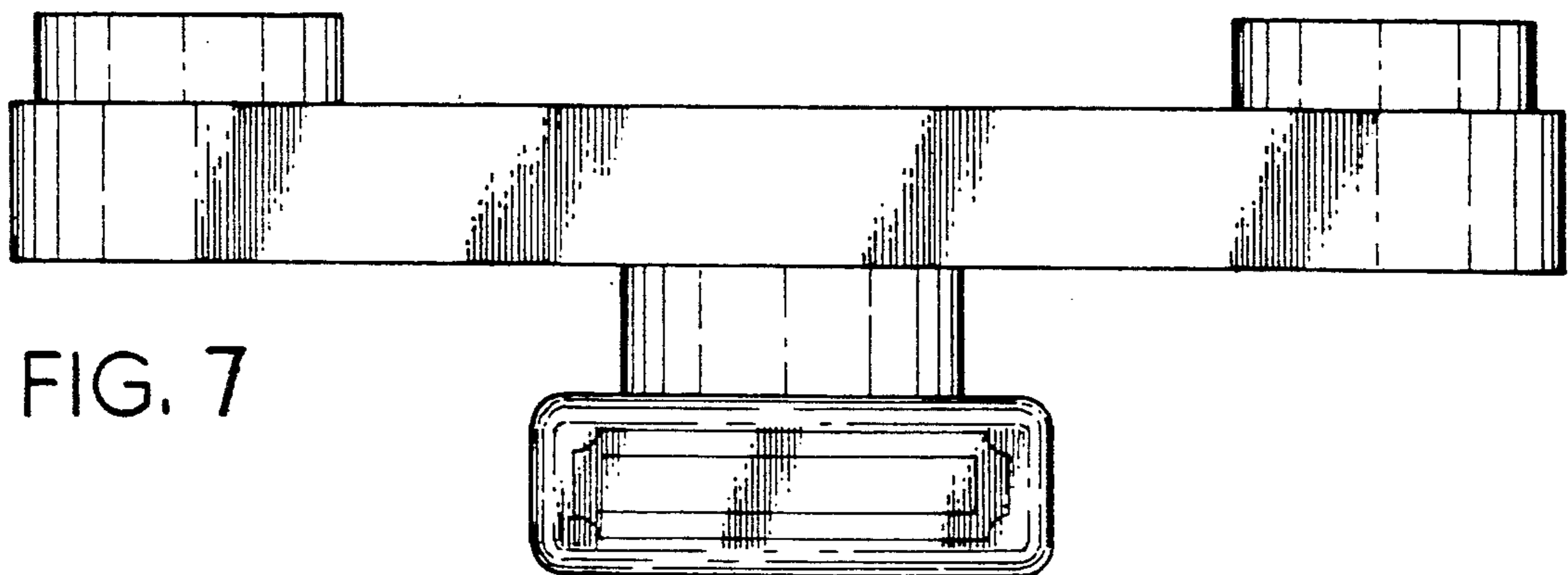


FIG. 7