



US00D327533S

United States Patent [19]
Caywood

[11] **Patent Number: Des. 327,533**

[45] **Date of Patent: ** Jun. 30, 1992**

[54] **FAUCET HANDLE**
[75] **Inventor: Robert H. Caywood, Vermilion, Ohio**
[73] **Assignee: Moen Incorporated, Elyria, Ohio**
[**] **Term: 14 Years**
[21] **Appl. No.: 568,698**
[22] **Filed: Aug. 17, 1990**
[52] **U.S. Cl. D23/252; D8/307**
[58] **Field of Search D23/238-243,
D23/250-254; D8/300, 307-312; 4/191, 192;
16/116, 121**

D. 290,164 6/1987 Ko D23/252
D. 290,492 6/1987 Hill et al. D23/238
D. 291,238 8/1987 Haug et al. D23/252
3,369,566 2/1968 Schmitt et al. D23/238 X

OTHER PUBLICATIONS

Domestic Engineering, Feb. 1987, p. 55.

Primary Examiner—James R. Largen
Attorney, Agent, or Firm—Kinzer, Plyer, Dorn,
McEachran and Jambor

[57] **CLAIM**

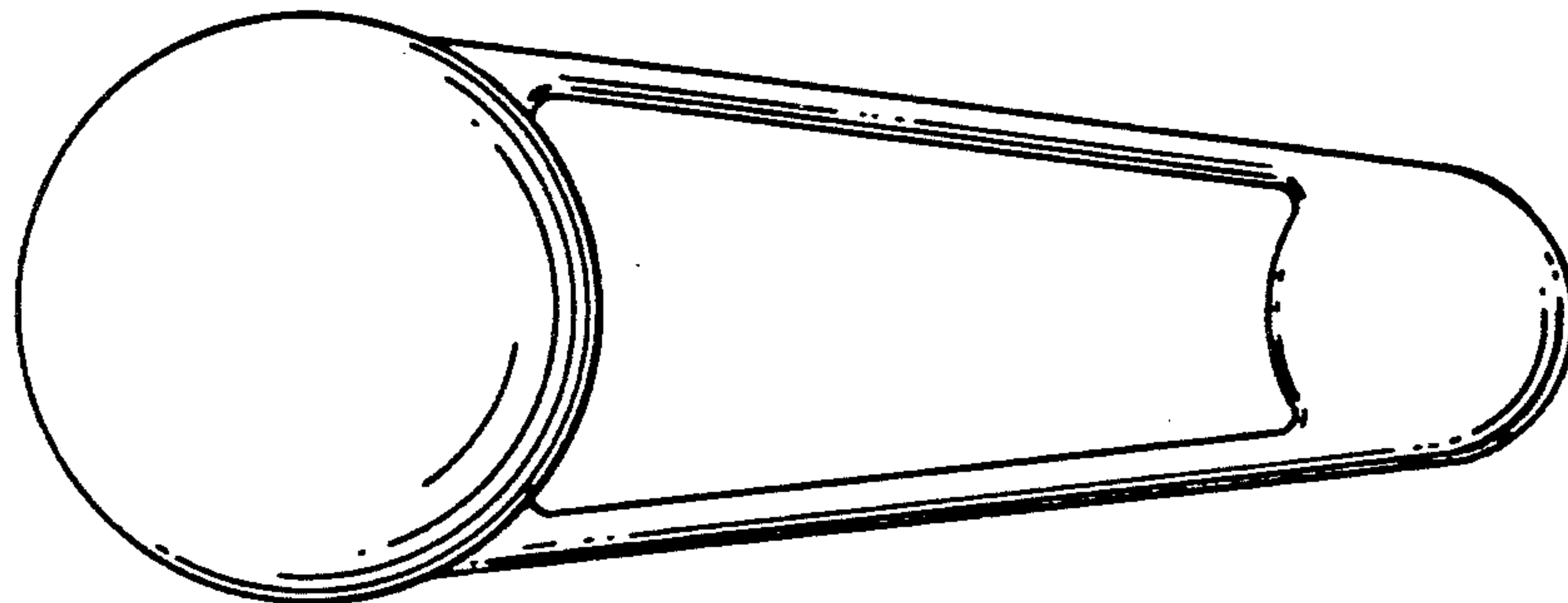
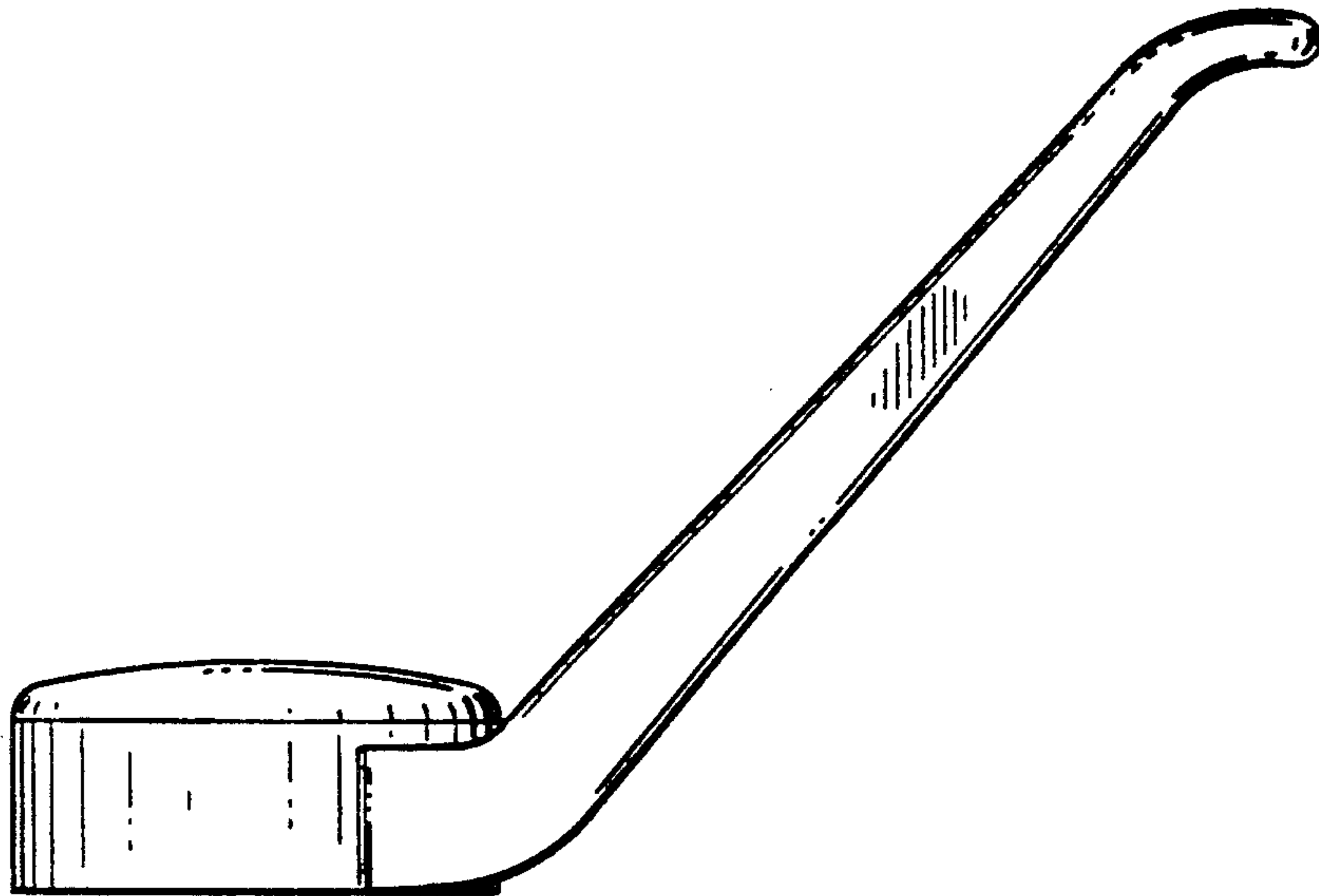
The ornamental design for a faucet handle, as shown and described.

[56] **References Cited**
U.S. PATENT DOCUMENTS

D. 113,398 2/1939 Reineoke D23/238
D. 199,426 10/1964 Armstrong D23/252
D. 219,781 1/1971 Niemann D23/252
D. 221,431 8/1971 Petterson D23/252
D. 223,913 6/1972 Niemann D23/252
D. 227,466 6/1973 Genaro D23/252
D. 254,088 1/1980 Haug D23/252

DESCRIPTION

FIG. 1 is a left side elevational view of a faucet handle showing my new design, the right side being a mirror image of the left side;
FIG. 2 is a top plan view thereof;
FIG. 3 is a front elevational view thereof;
FIG. 4 is a rear elevational view thereof; and,
FIG. 5 is a bottom plan view thereof.



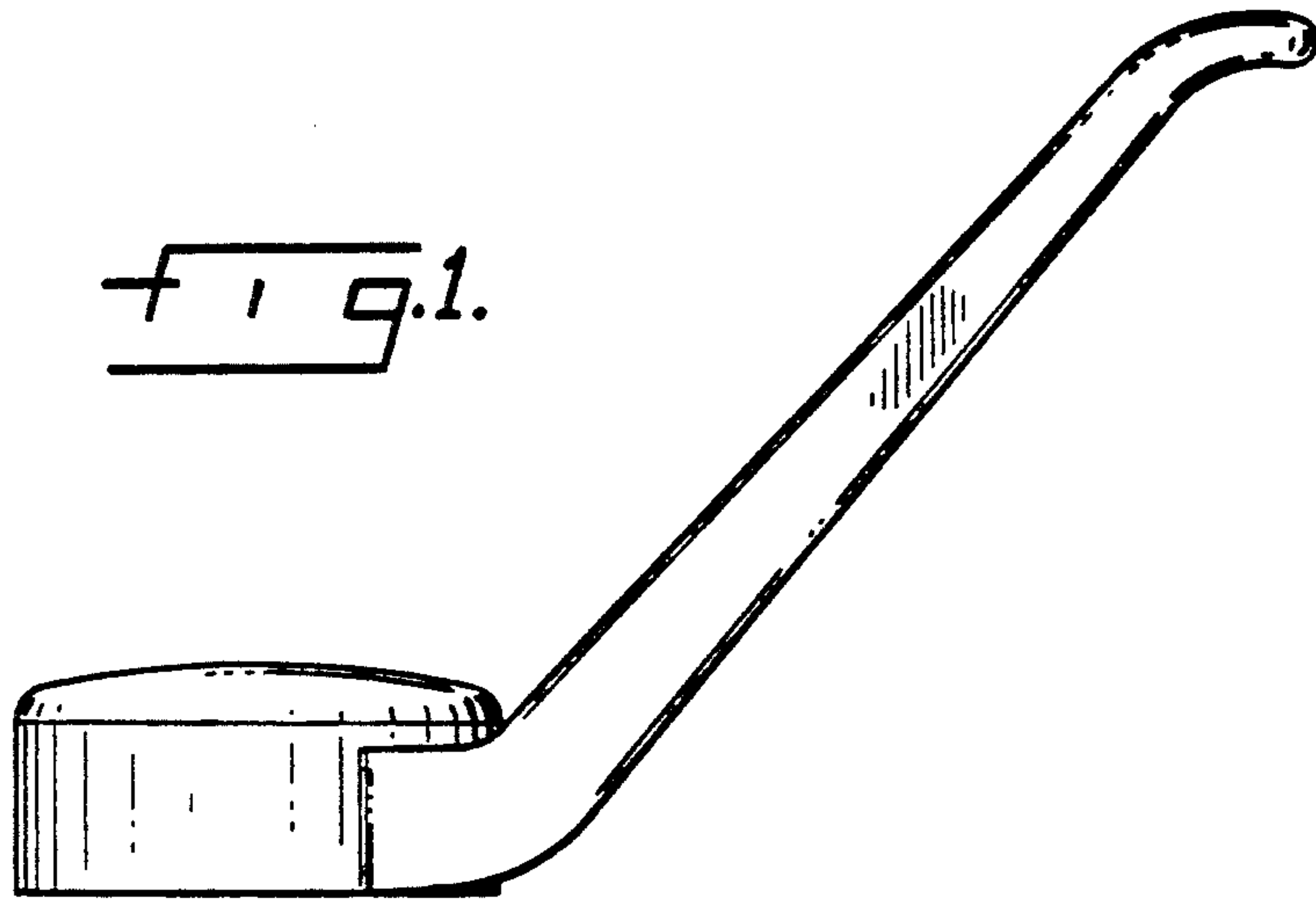


fig. 1.

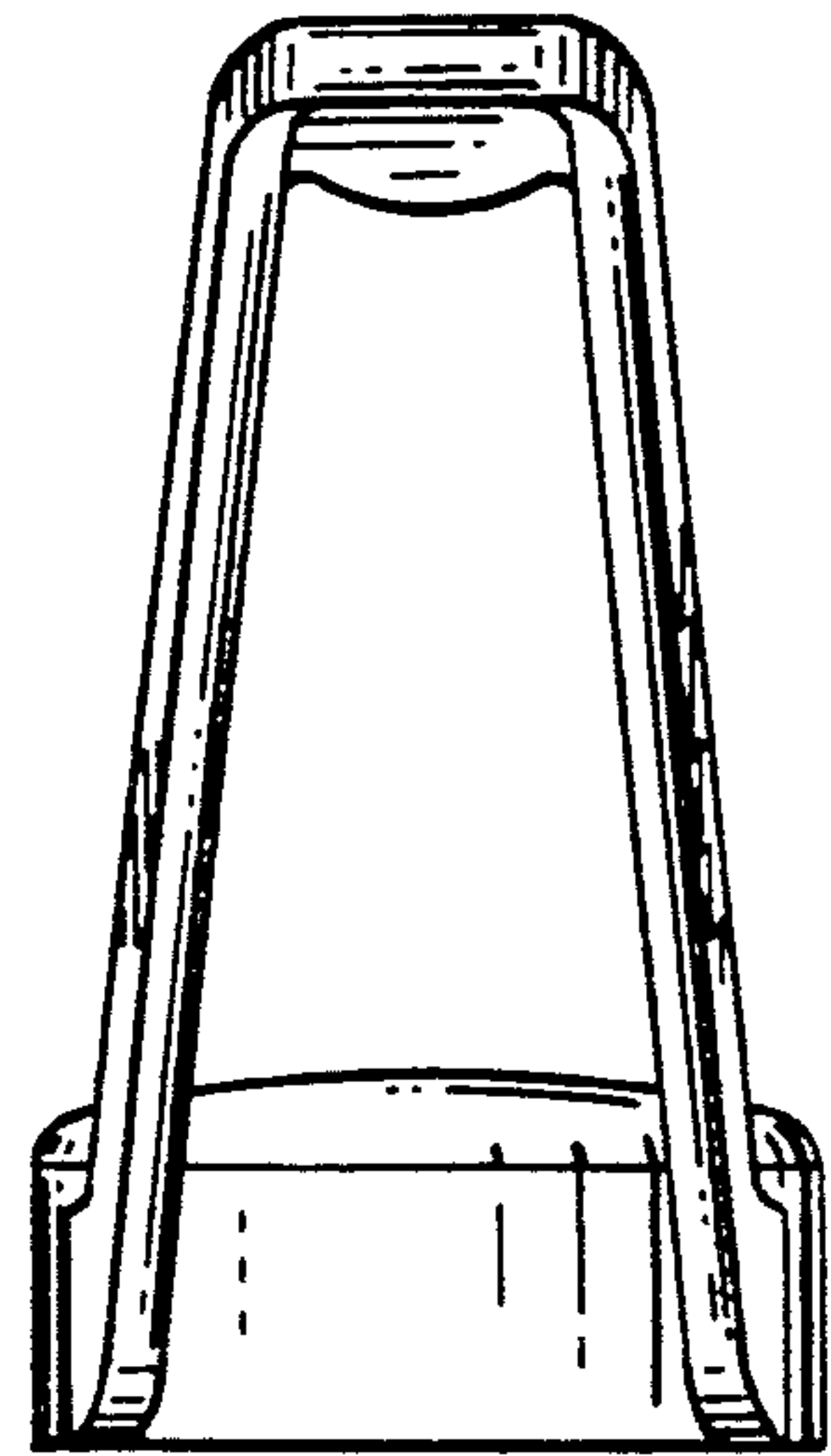


fig. 3.

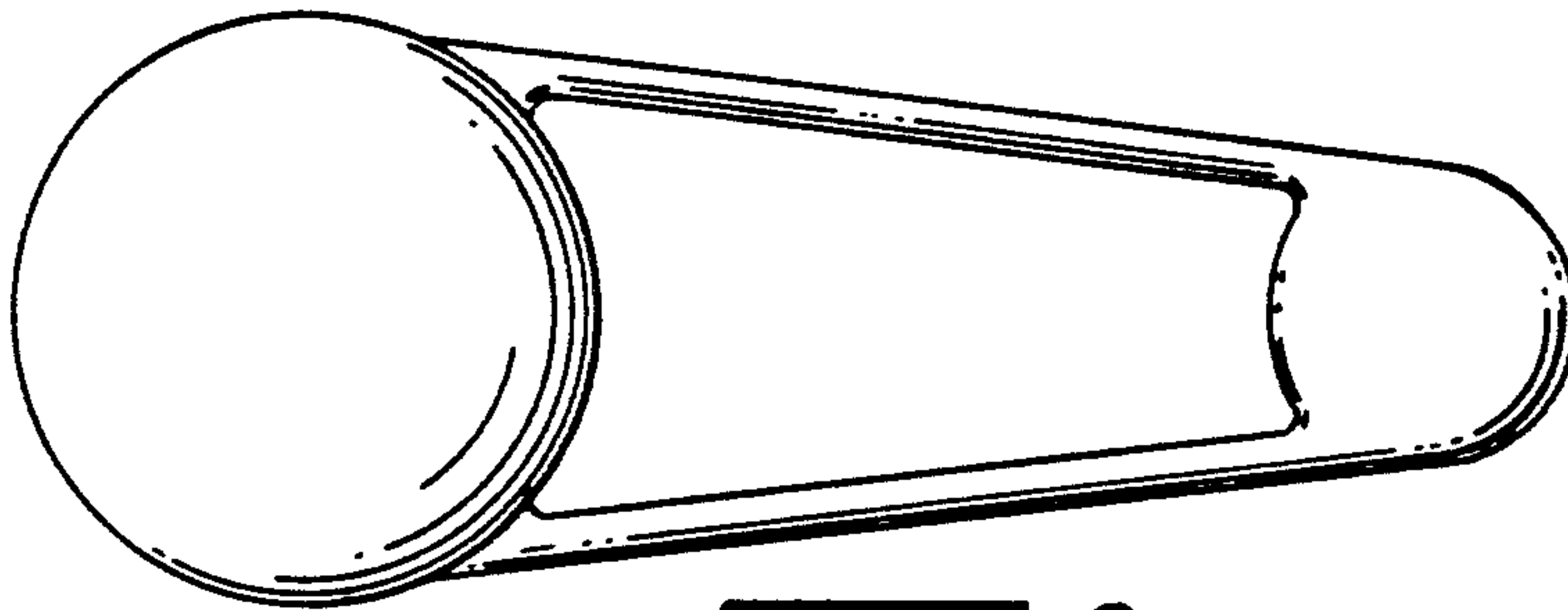


fig. 2.

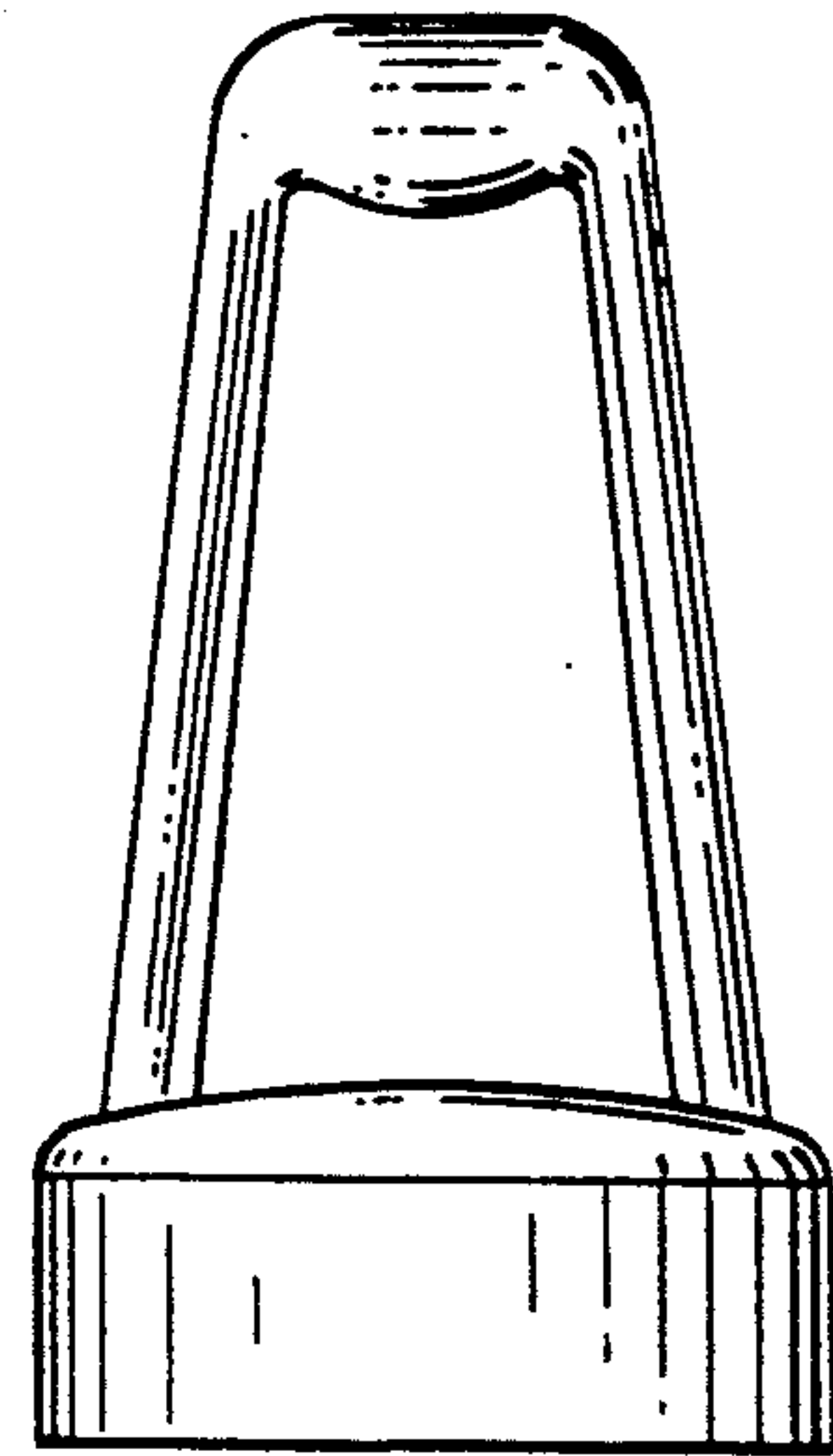


fig. 4.

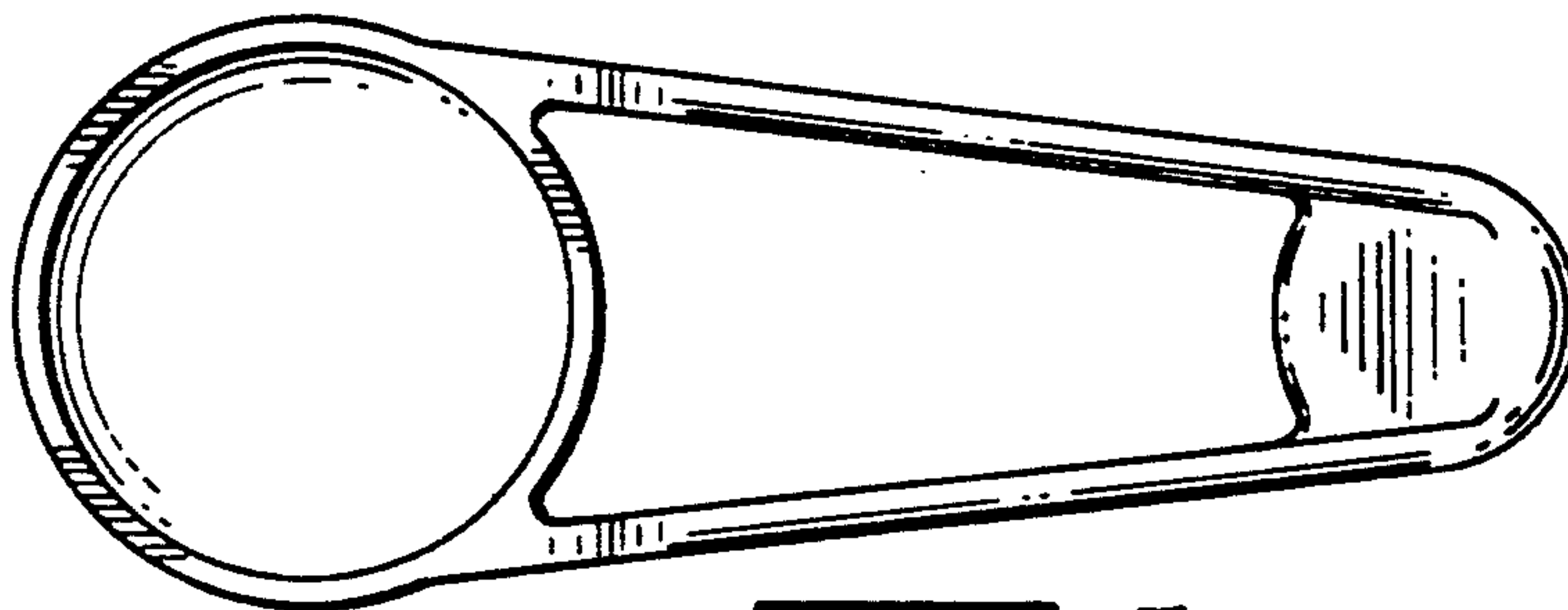


fig. 5.