



US00D327528S

United States Patent [19]

Sears et al.

[11] Patent Number: **Des. 327,528**

[45] Date of Patent: **** Jun. 30, 1992**

[54] GARDEN SPRAYER

[75] Inventors: **Kim W. Sears, Middleville; Garry L. Ellison, Grand Rapids, both of Mich.**

[73] Assignee: **R L Corporation, Lowell, Mich.**

[**] Term: **14 Years**

[21] Appl. No.: **392,844**

[22] Filed: **Aug. 11, 1989**

[52] U.S. Cl. **D23/225**

[58] Field of Search **D23/200, 213, 223-229; 239/332-333, 373, 149, 154, 172, 302**

[56] References Cited

U.S. PATENT DOCUMENTS

D. 311,240	10/1990	Born	D23/225
D. 312,297	11/1990	Ballu	D23/225
3,993,245	11/1976	Smith	239/373 X
4,192,464	3/1980	Chow	D23/225 X

OTHER PUBLICATIONS

"Hardware Age" item sprayers by Hudson advertisement, Sep. 1983, p. 21.

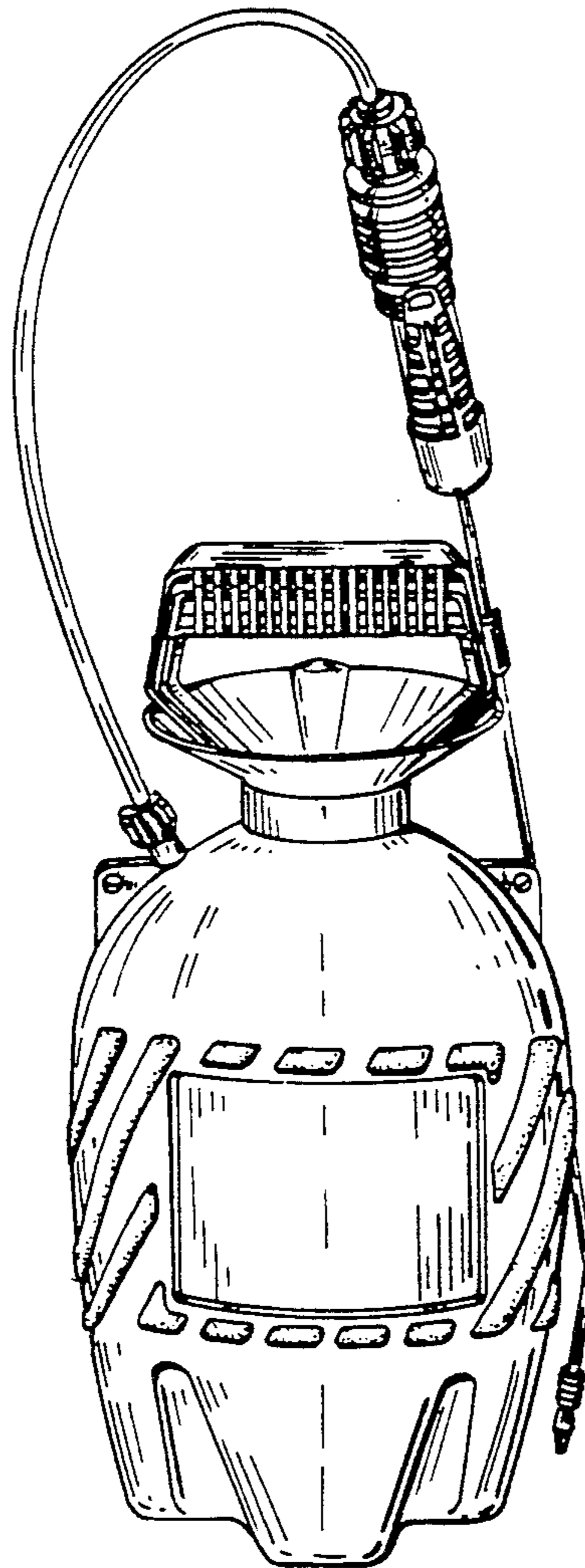
Primary Examiner—Susan J. Lucas
Assistant Examiner—M. H. Tung
Attorney, Agent, or Firm—Price, Heneveld, Cooper, DeWitt & Litton

[57] CLAIM

The ornamental design for a garden sprayer, as shown and described.

DESCRIPTION

FIG. 1 is a front perspective view of a garden sprayer showing our new design;
FIG. 2 is a front elevational view thereof;
FIG. 3 is a rear elevational view thereof;
FIG. 4 is a top plan view thereof;
FIG. 5 is a bottom plan view thereof;
FIG. 6 is a left-hand side elevational view thereof; and,
FIG. 7 is a right-hand side elevational view thereof.



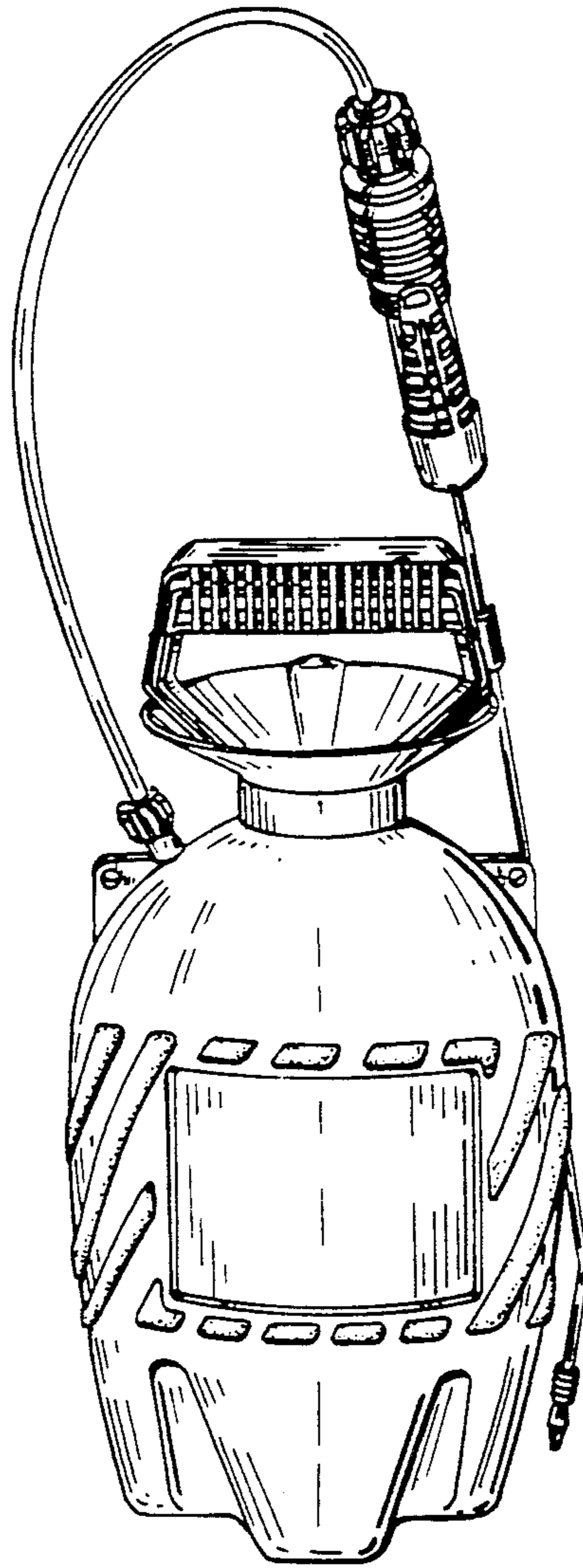


FIG. 1

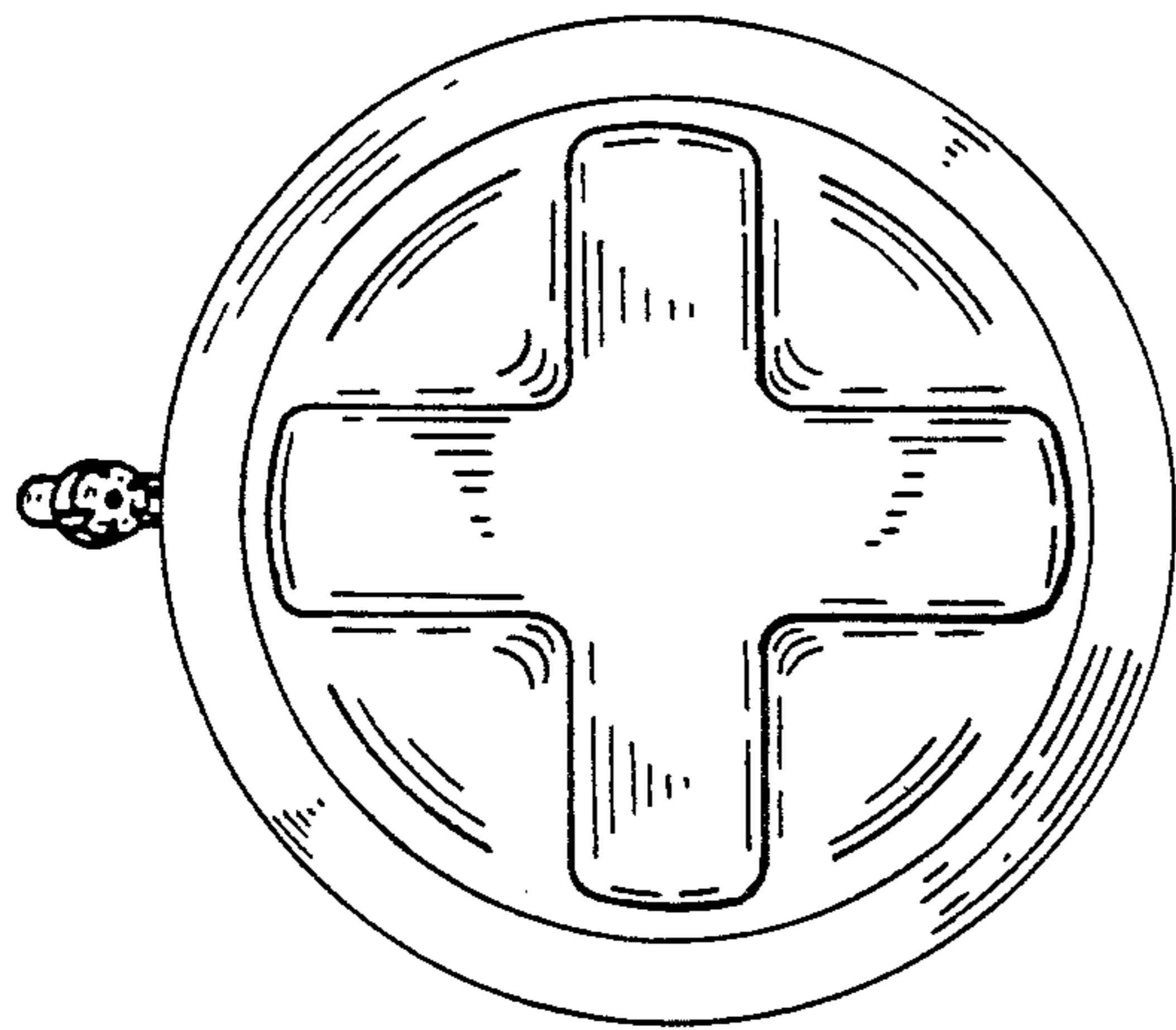


FIG. 5

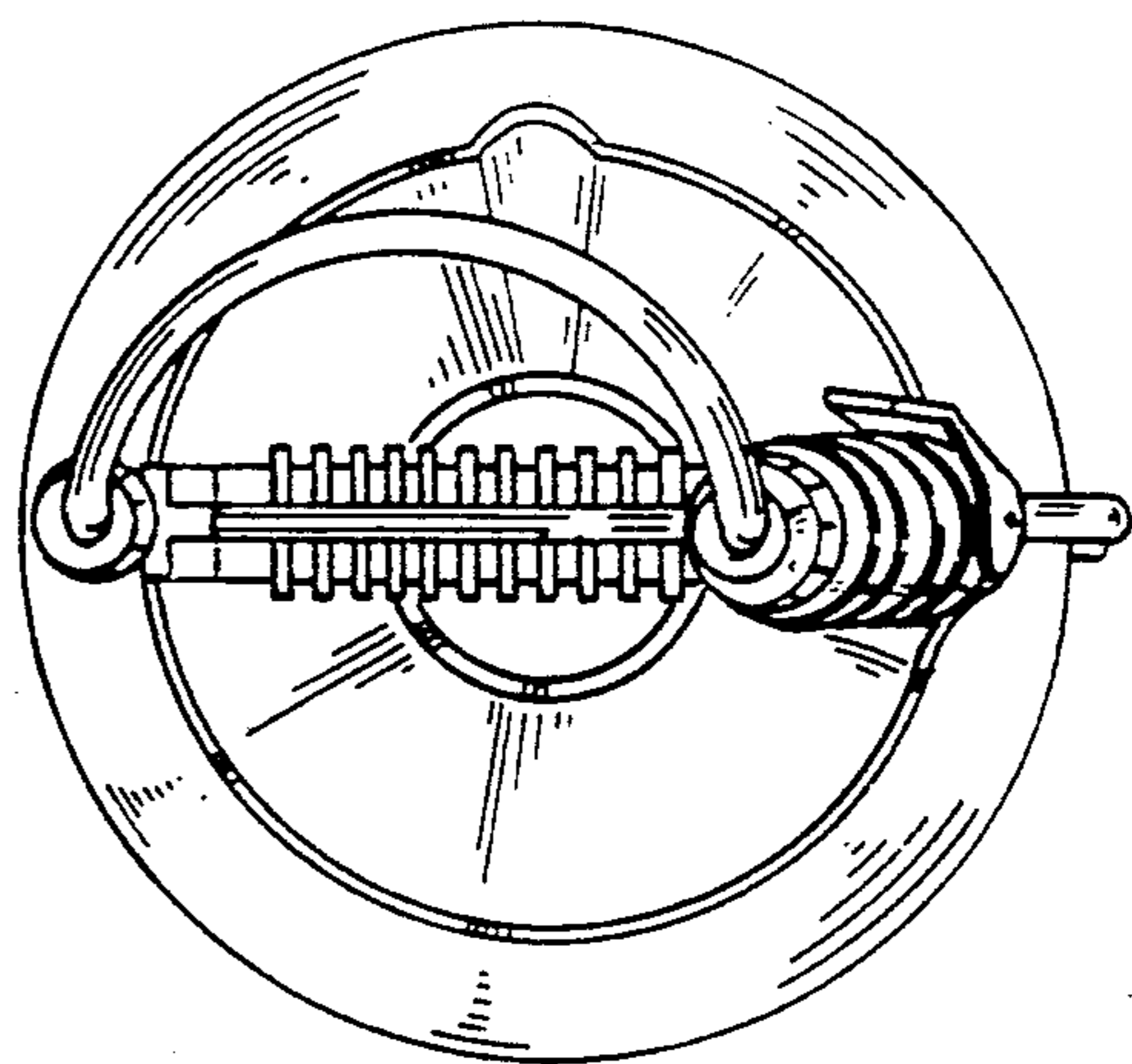


FIG. 4

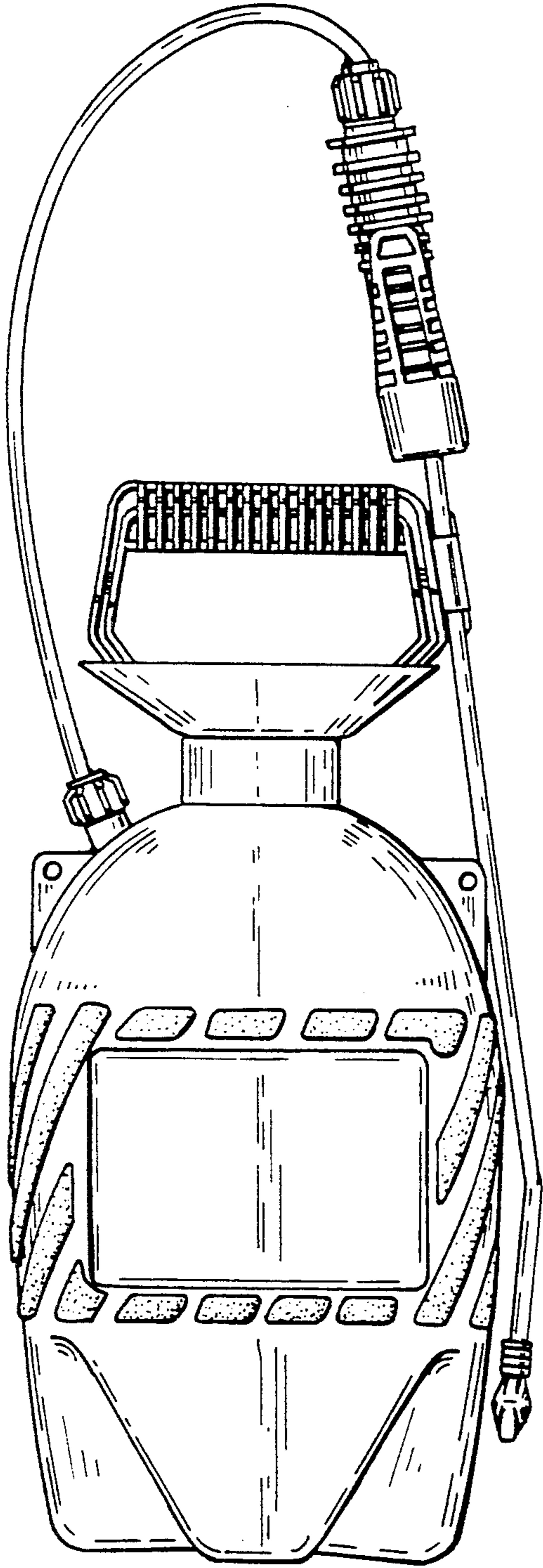


FIG. 2

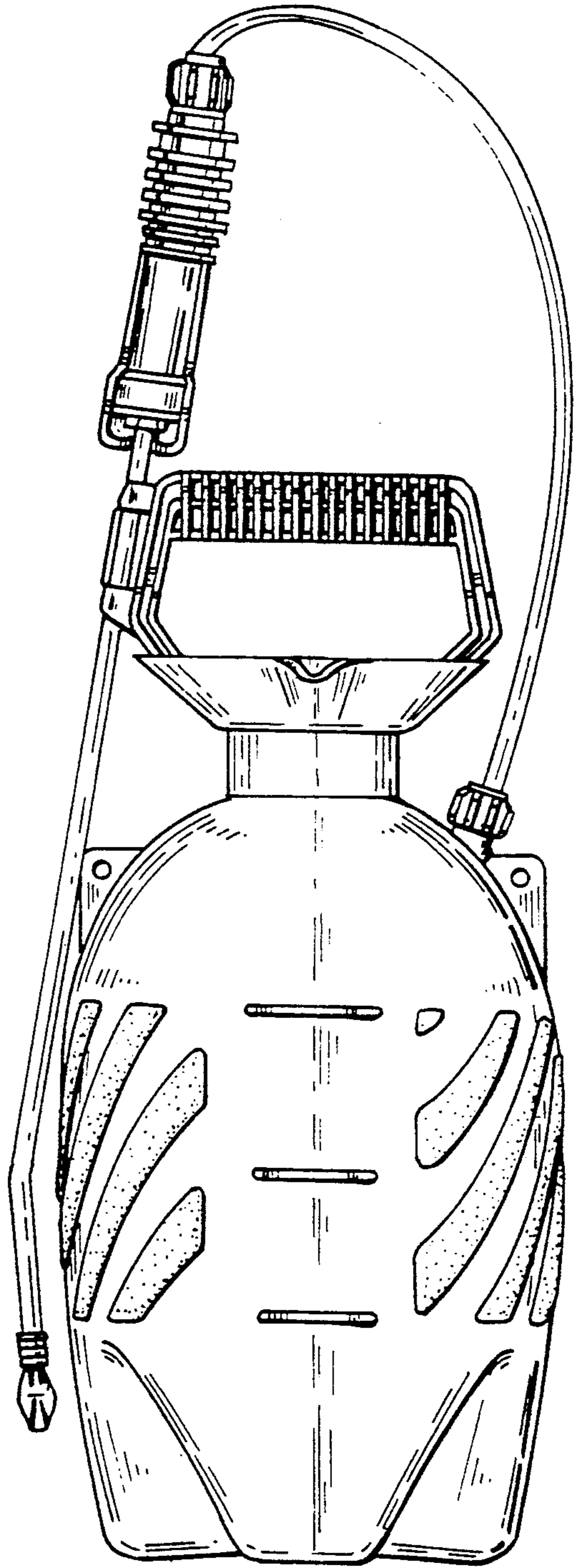


FIG. 3

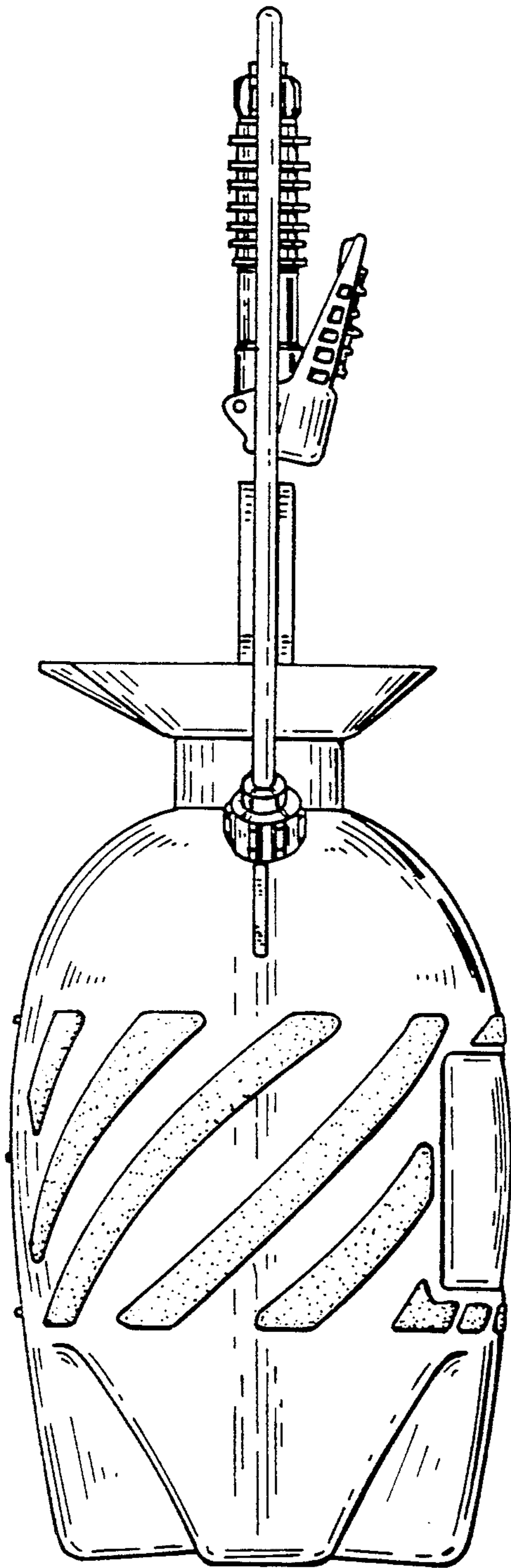


FIG. 6

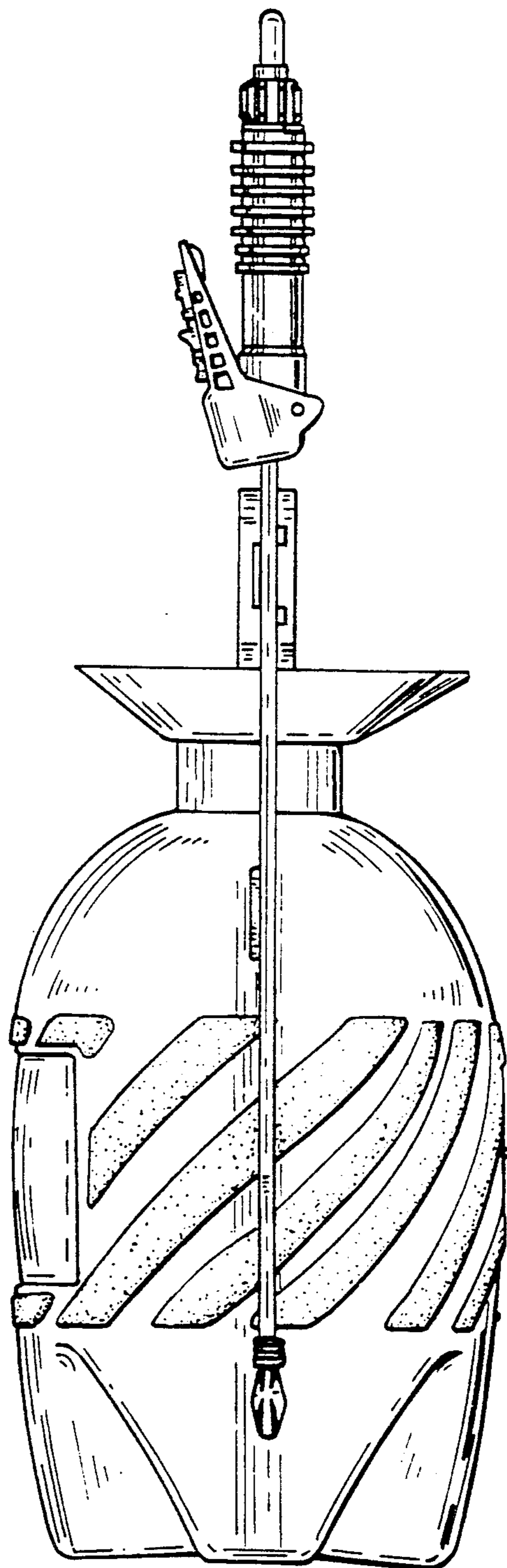


FIG. 7