



US00D327526S

# United States Patent [19]

[11] Patent Number: **Des. 327,526**

Shiozaki

[45] Date of Patent: **\*\* Jun. 30, 1992**

[54] FISHING REEL BODY

728854 4/1988 Japan .

[75] Inventor: Akihisa Shiozaki, Musashino, Japan

728883 4/1988 Japan .

[73] Assignee: Daiwa Seiko, Inc., Tokyo, Japan

763983 6/1989 Japan .

[\*\*] Term: 14 Years

764526 6/1989 Japan .

[21] Appl. No.: 465,017

[22] Filed: Jan. 16, 1990

Primary Examiner—A. Hugo Word  
Assistant Examiner—Doris V. Coles  
Attorney, Agent, or Firm—Cushman, Darby & Cushman

[30] Foreign Application Priority Data

[57] CLAIM

Jul. 19, 1989 [JP] Japan ..... 1-26659

[52] U.S. Cl. .... D22/141

[58] Field of Search ..... D22/141, 140;  
242/230-233, 224, 246, 245

The ornamental design for a fishing reel body, as shown and described.

### DESCRIPTION

[56] References Cited

#### U.S. PATENT DOCUMENTS

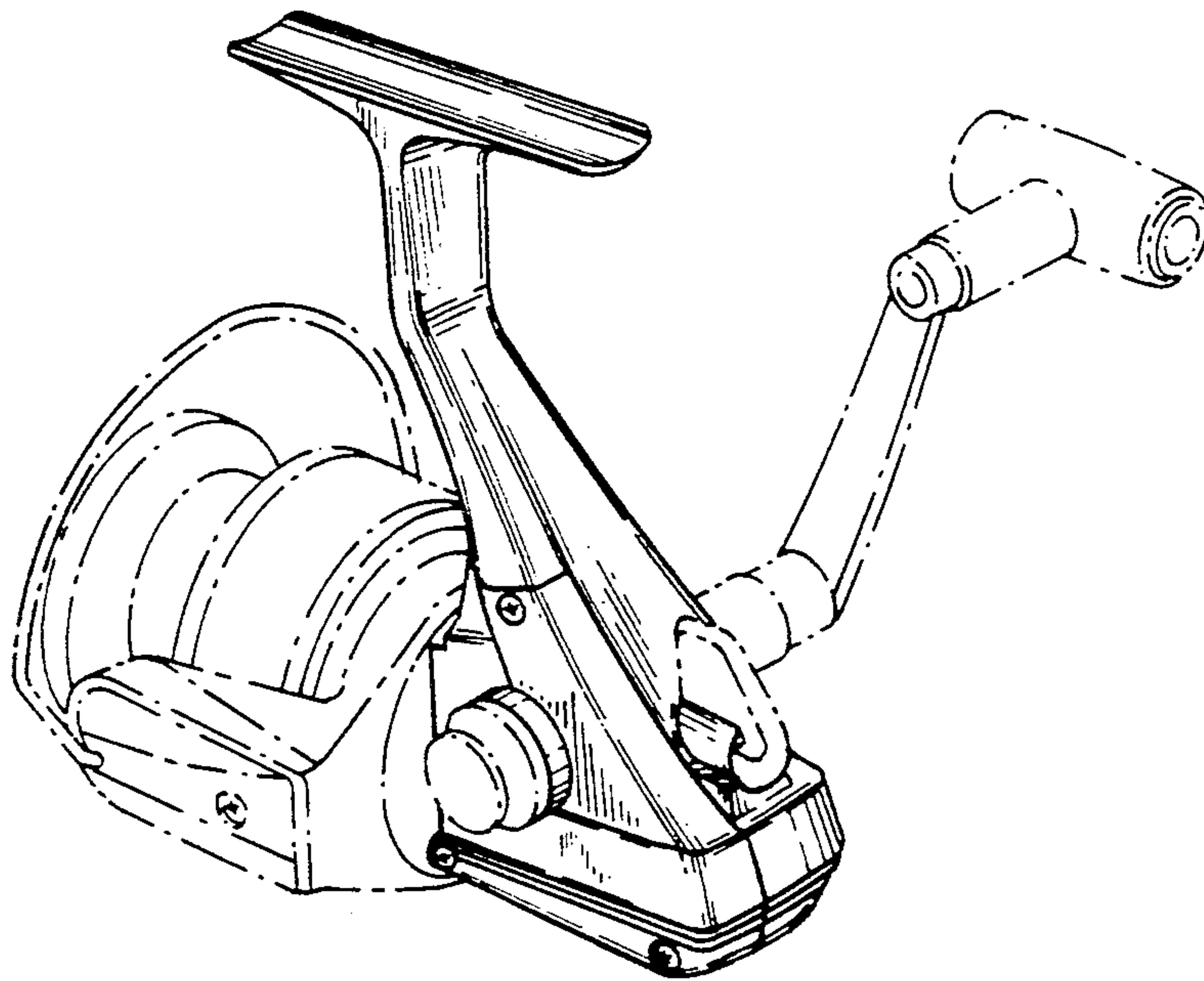
- D. 270,934 10/1983 Iinuma ..... D22/141
- D. 294,728 3/1988 Kameda ..... D22/141
- D. 300,766 4/1989 Iinuma ..... D22/141
- D. 315,777 3/1991 Kameda et al. .... D22/141

FIG. 1 is a top, rear and right side perspective view of a fishing reel body, showing my new design;  
FIG. 2 is a top, front and left side perspective view thereof;  
FIG. 3 is a right side elevational view thereof;  
FIG. 4 is a left side elevational view thereof;  
FIG. 5 is a top plan view thereof;  
FIG. 6 is a bottom plan view thereof;  
FIG. 7 is a front elevational view thereof; and,  
FIG. 8 is a rear elevational view thereof.

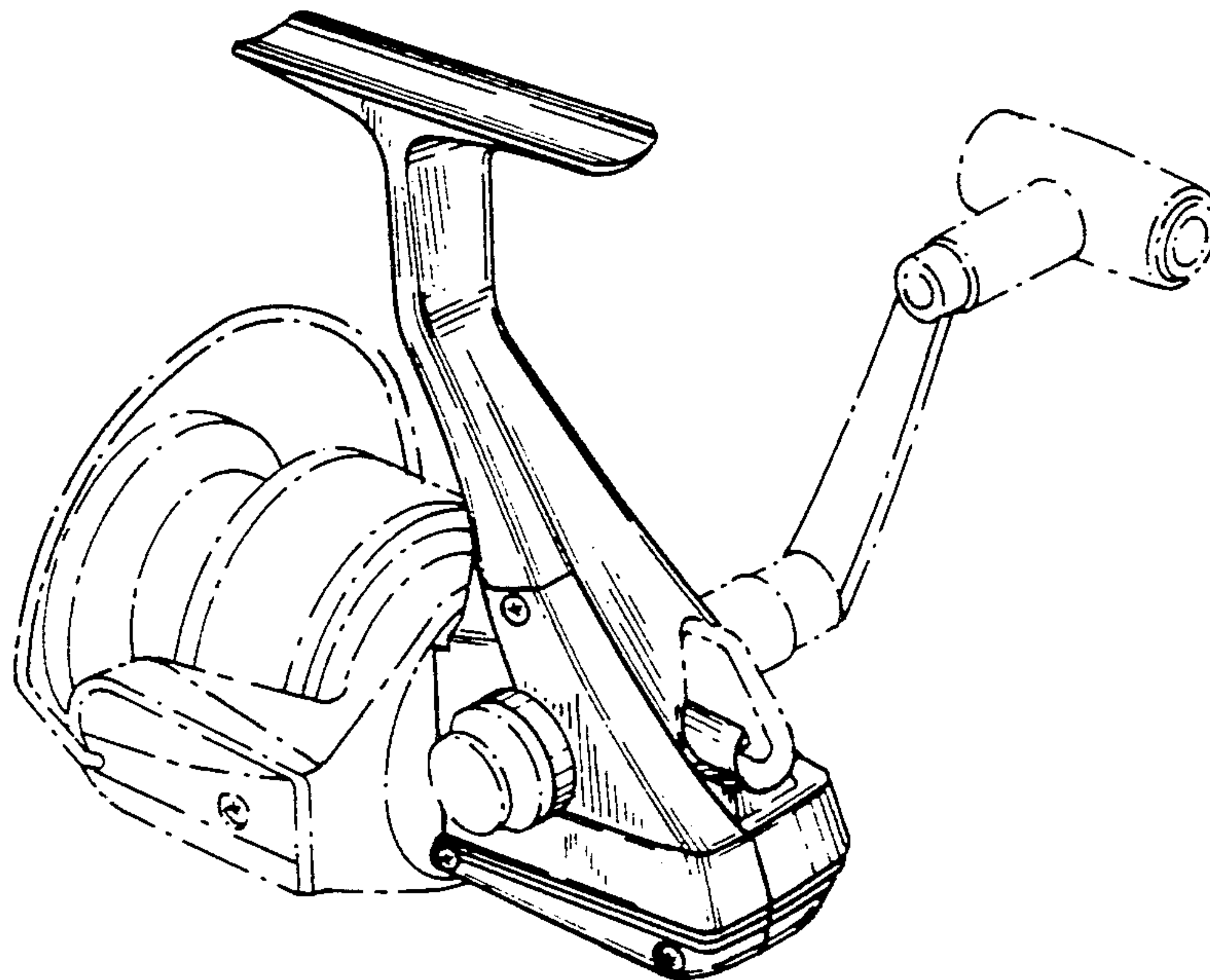
#### FOREIGN PATENT DOCUMENTS

728359 3/1988 Japan .

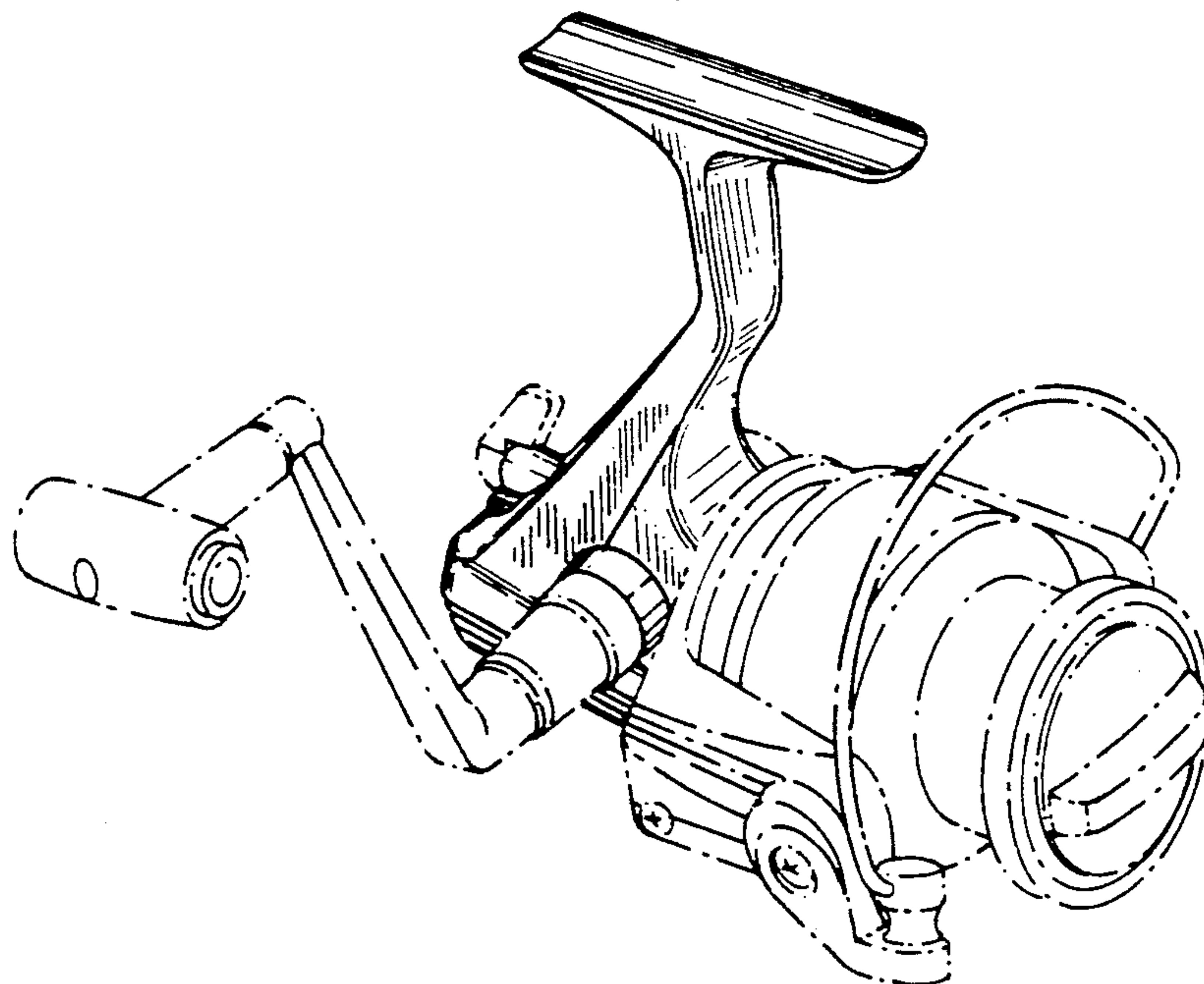
The broken line showing of other parts of a fishing reel is for illustrative purposes only and forms no part of the claimed design.



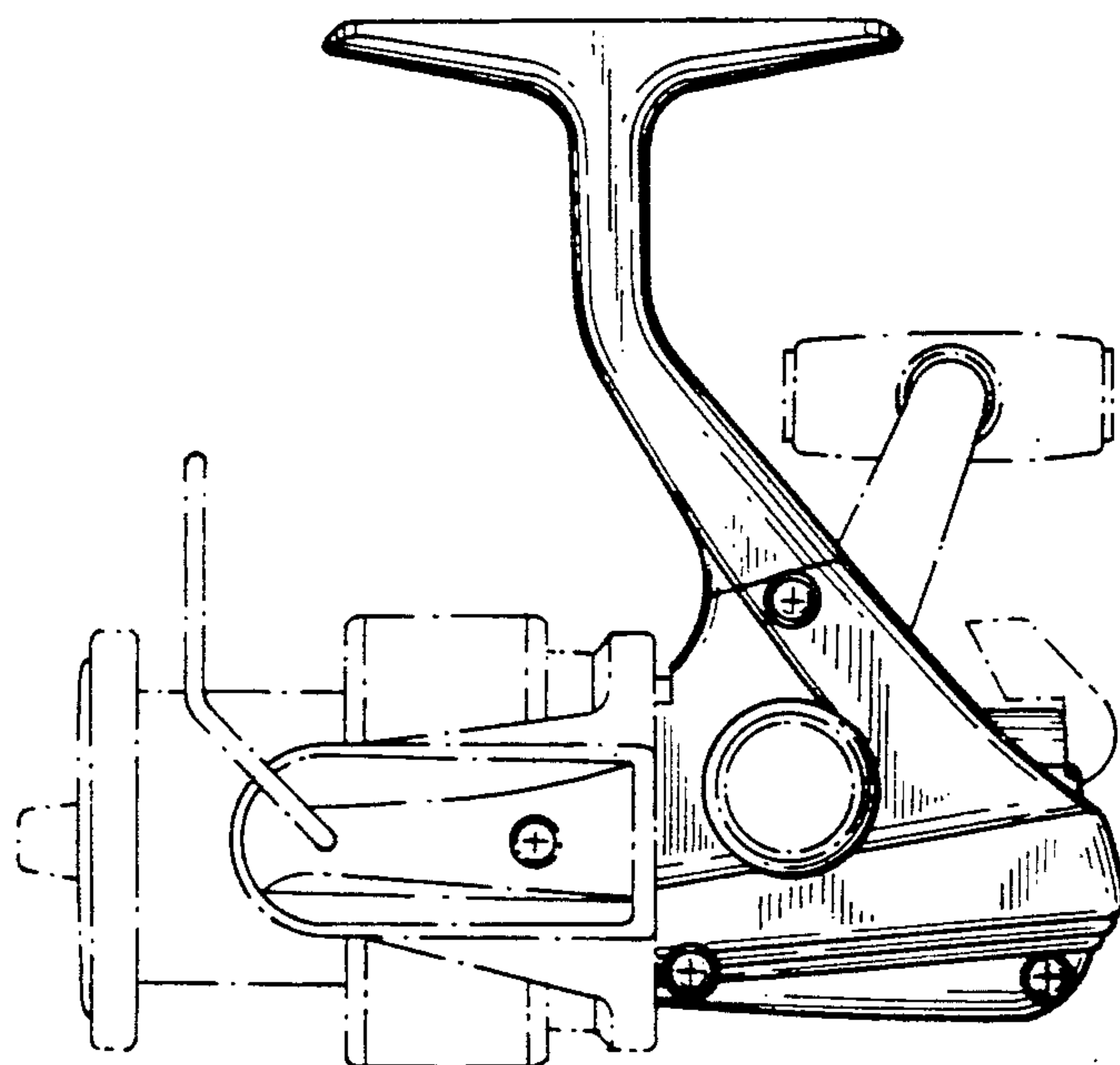
*Fig. 1*



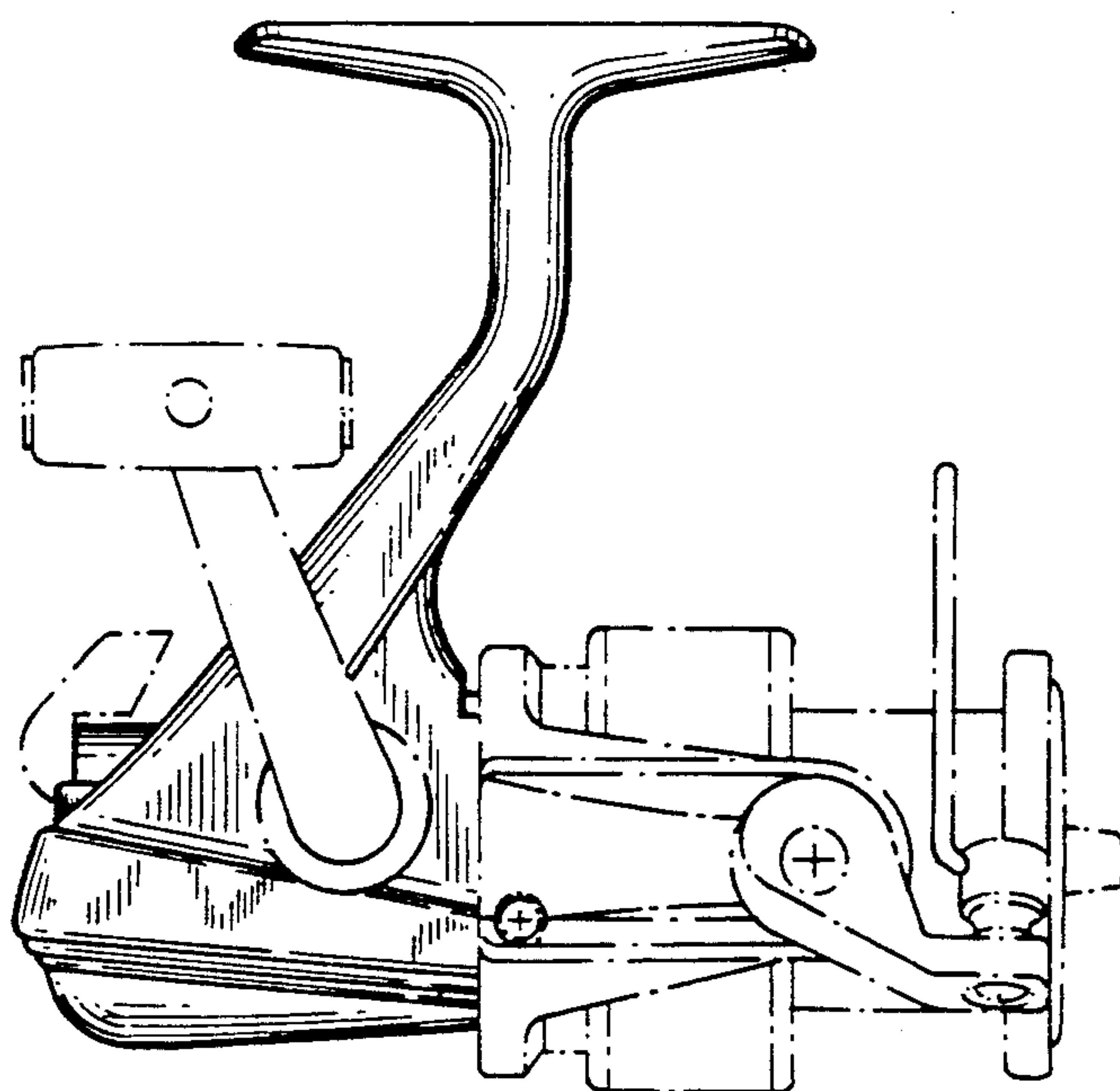
*Fig. 2*



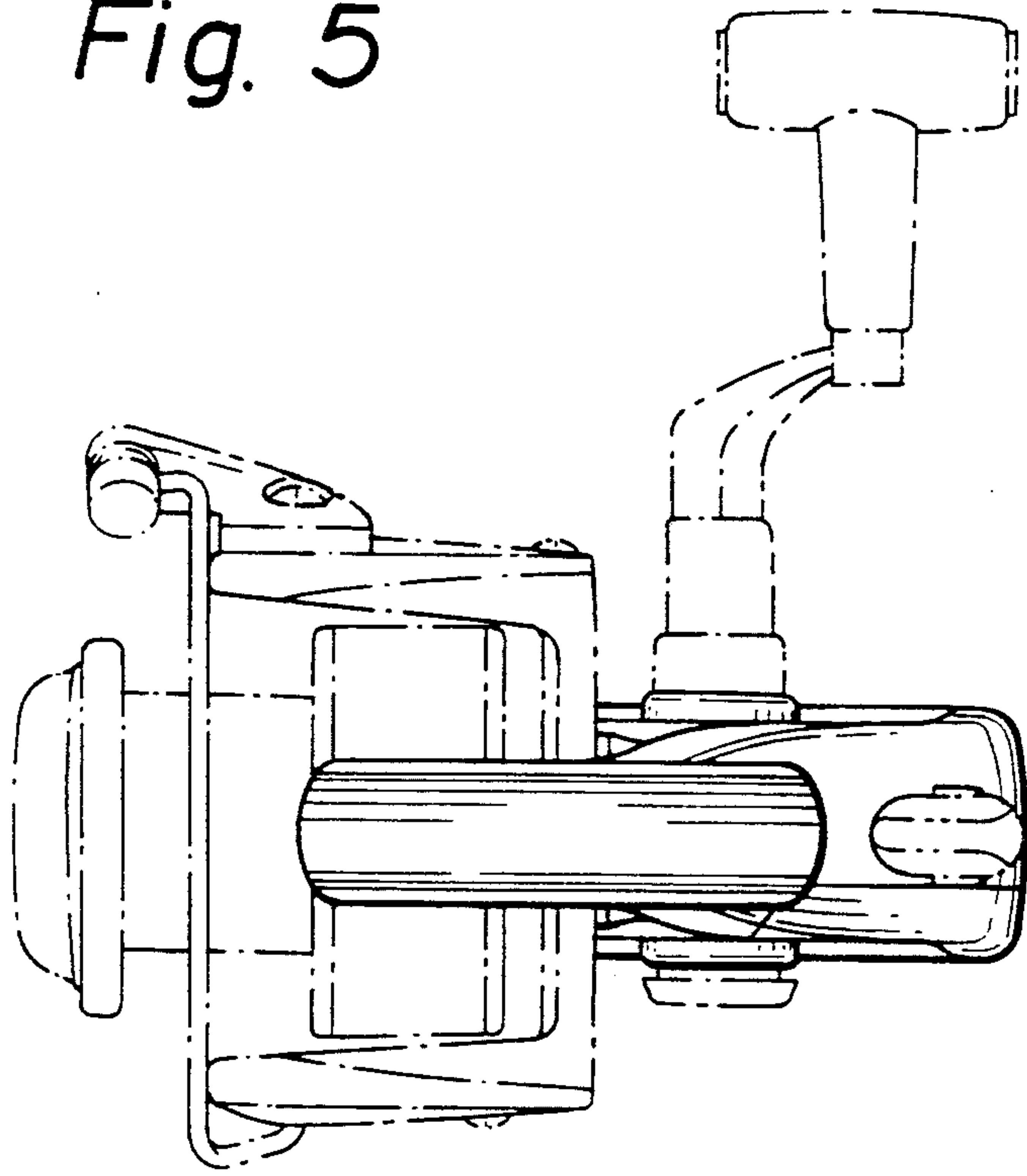
*Fig. 3*



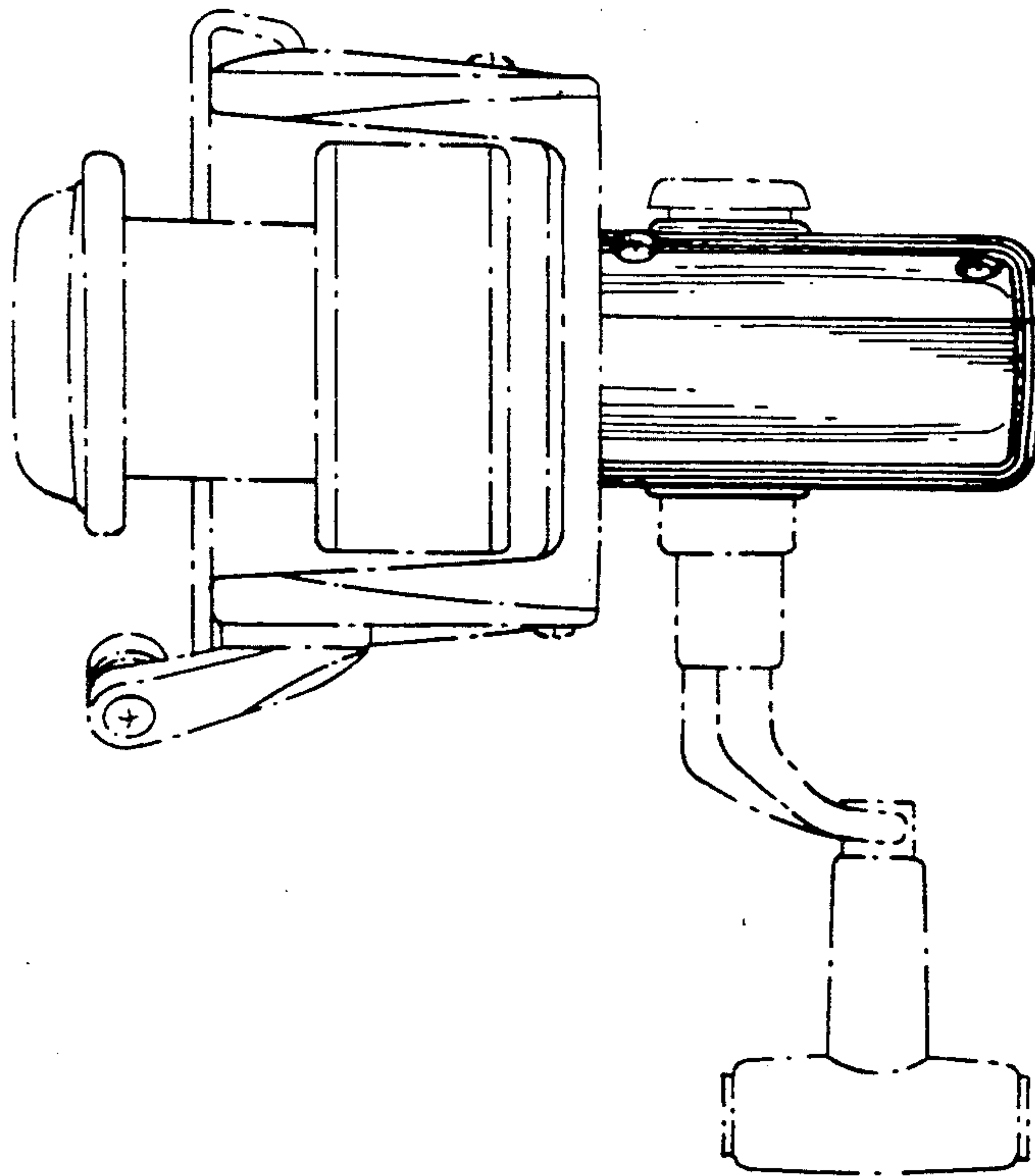
*Fig. 4*



*Fig. 5*

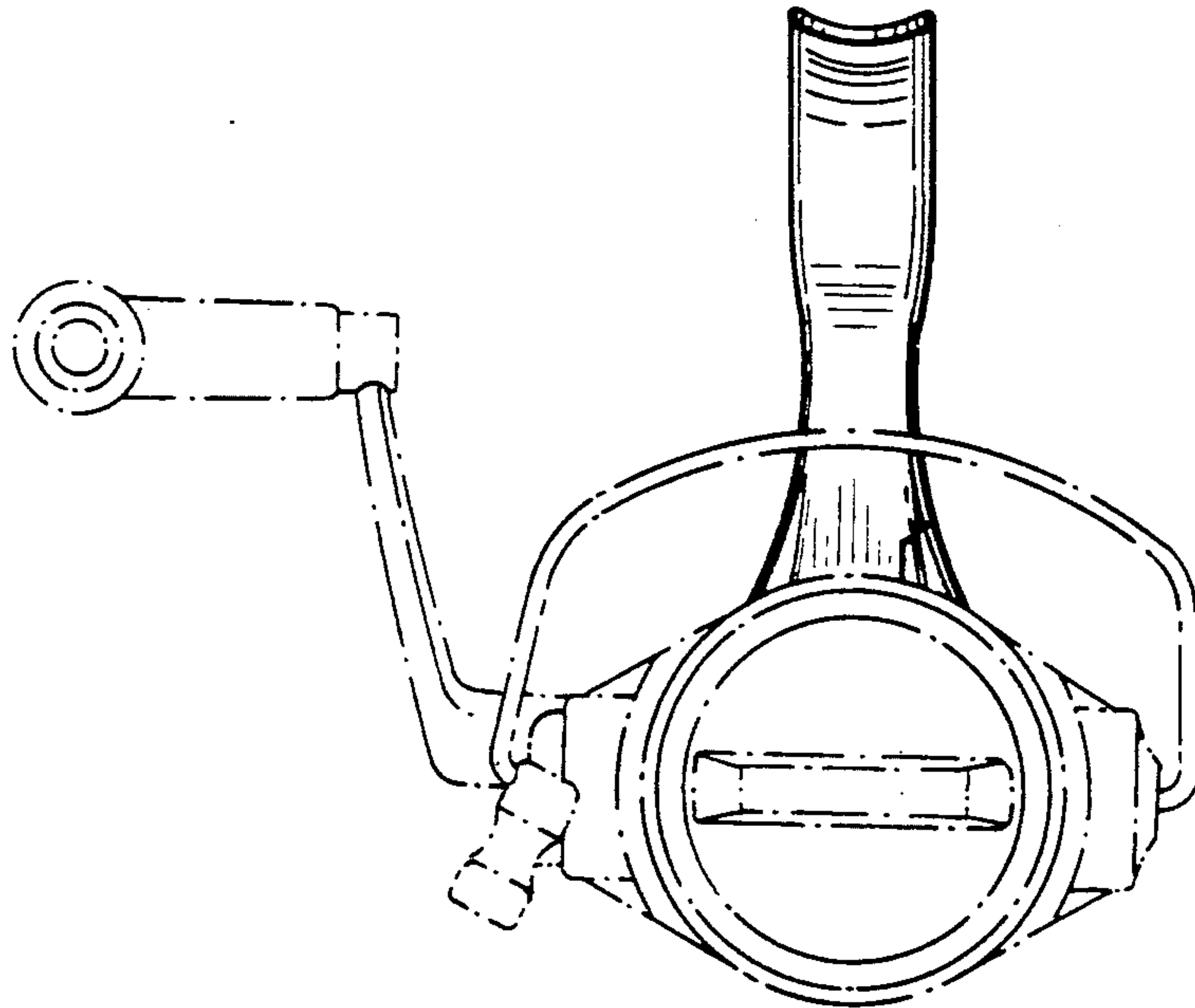


*Fig. 6*





*Fig. 7*



*Fig. 8*

