



US00D327522S

United States Patent [19]

[11] Patent Number: **Des. 327,522**

Antonious

[45] Date of Patent: **** Jun. 30, 1992**

[54] IRON TYPE GOLF CLUB HEAD

[76] Inventor: **Anthony J. Antonious**, 205 E. Joppa Rd., Towson, Md. 21204

[**] Term: **14 Years**

[21] Appl. No.: **433,184**

[22] Filed: **Nov. 8, 1989**

[52] U.S. Cl. **D21/220**

[58] Field of Search **D21/214-220;**
273/164 R, 167-175

[56] References Cited

U.S. PATENT DOCUMENTS

- D. 165,458 12/1951 Jacobs D21/220
- D. 265,114 6/1982 Lyons D21/220

OTHER PUBLICATIONS

Golf World, Jun. 26, 1987, p. 21, bottom, Spalding Tour Edition iron.

Golf World, Jan. 10, 1986, p. 13, T-line iron.

Primary Examiner—Melvin B. Feifer

Attorney, Agent, or Firm—Nicholas J. Aquilino

[57] CLAIM

The ornamental design for an iron type golf club head, as shown and described.

DESCRIPTION

FIG. 1 is a front elevational view of an iron type golf club head showing my new design;

FIG. 2 is a top-rear perspective view thereof;

FIG. 3 is a rear elevational view thereof;

FIG. 4 is a bottom view thereof;

FIG. 5 is an end elevational view thereof; and,

FIG. 6 is an elevational view taken from the opposite side of FIG. 3.

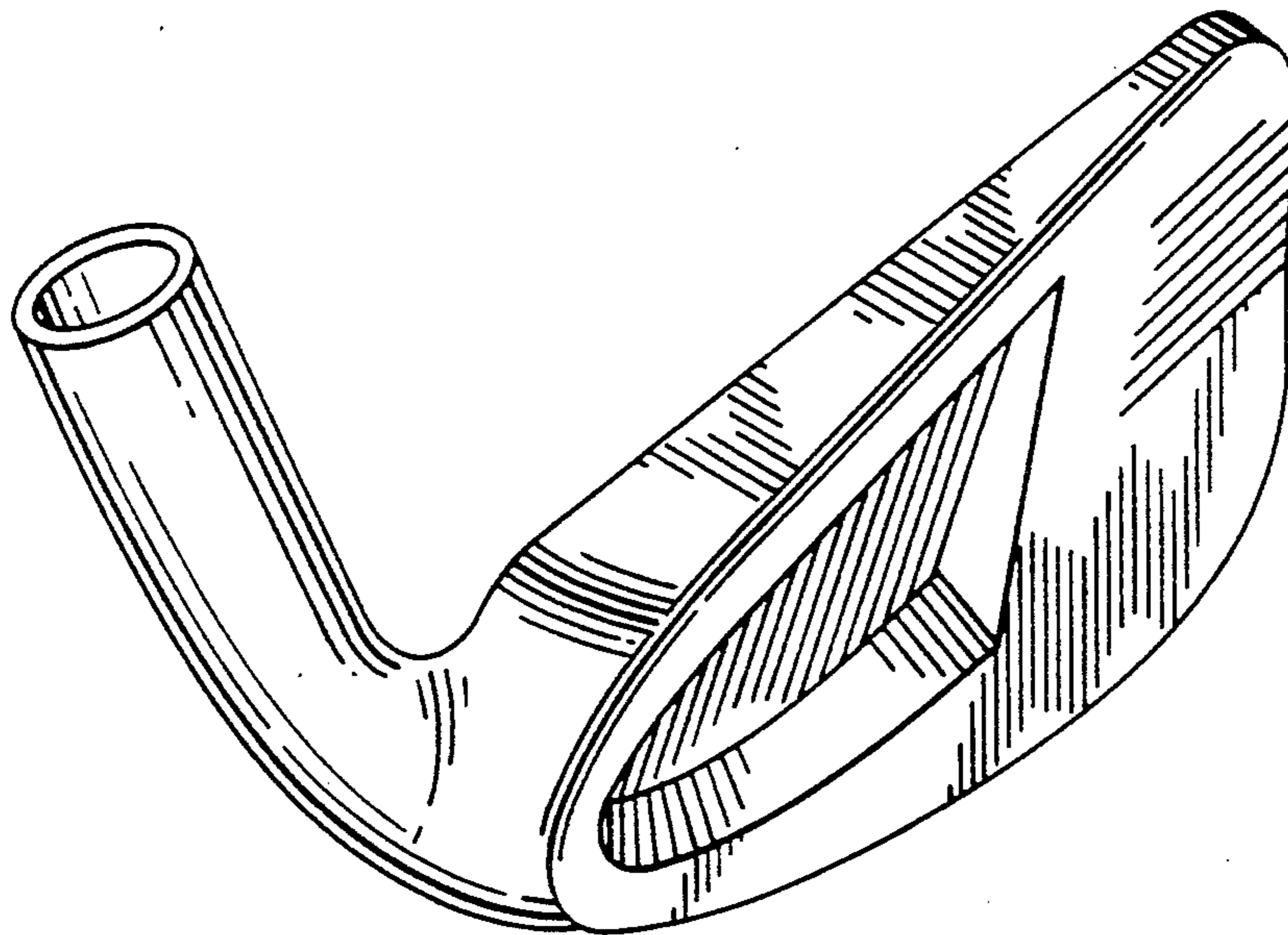


FIG. 1

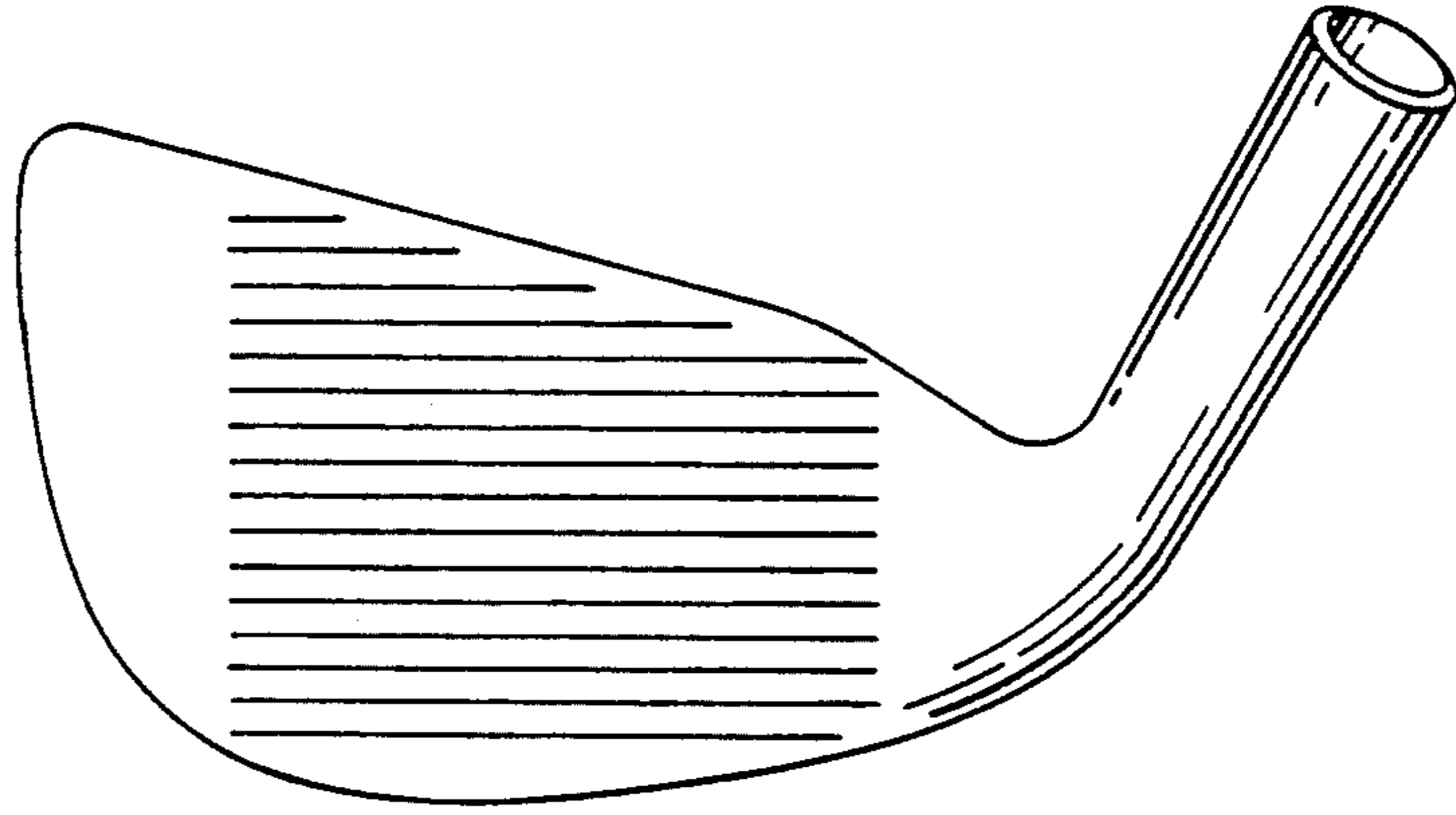


FIG. 2

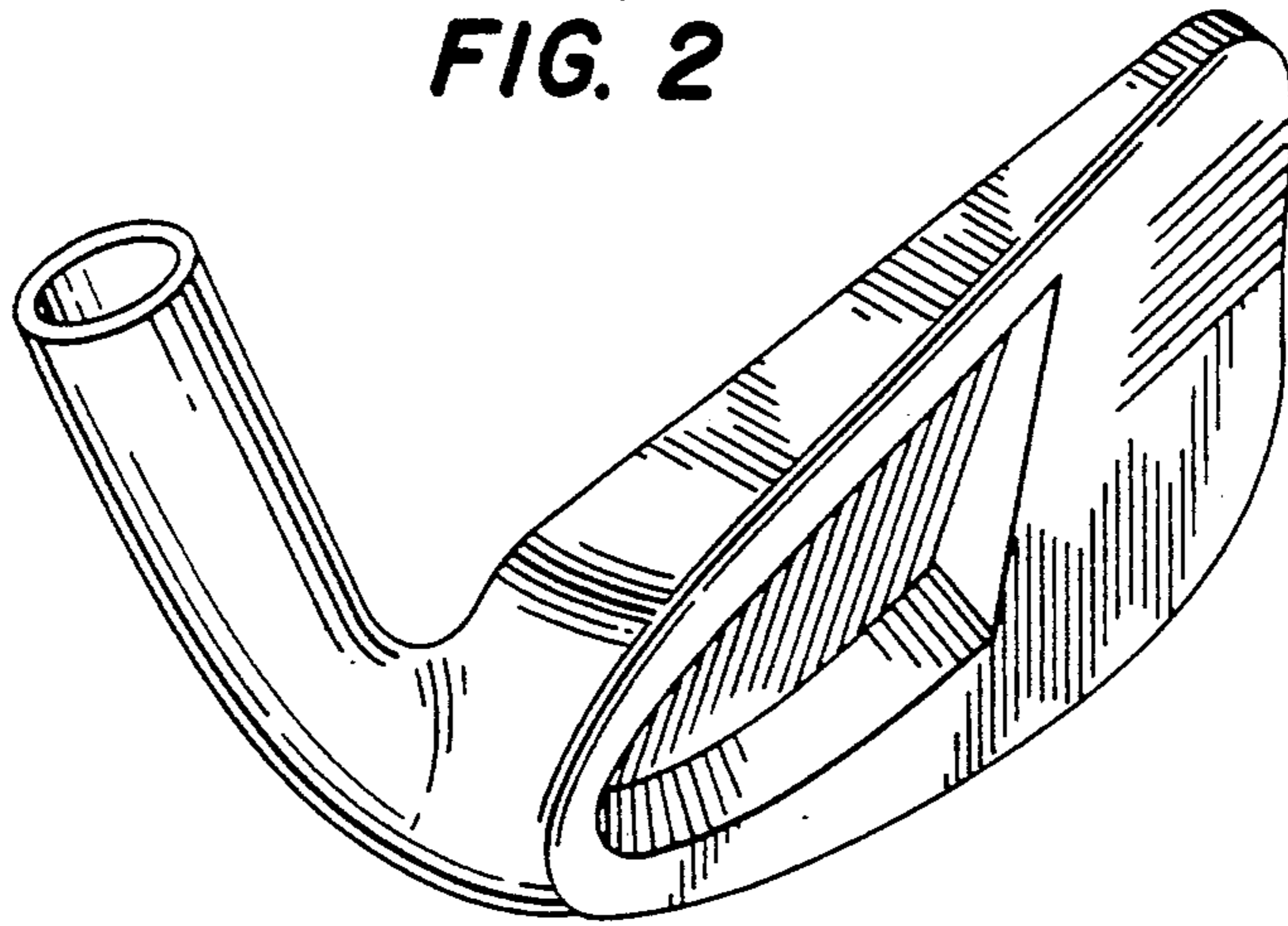


FIG. 3

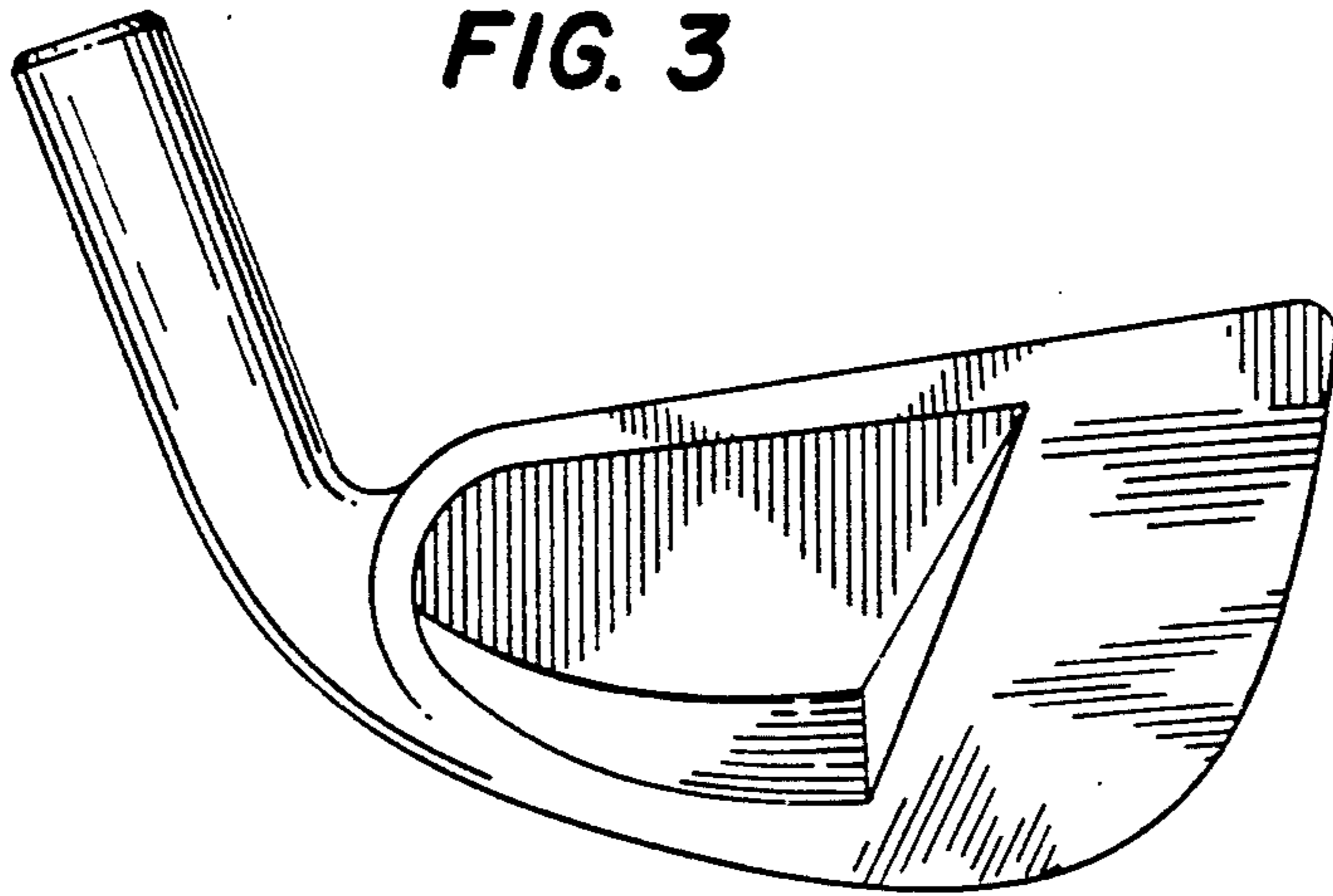


FIG. 4

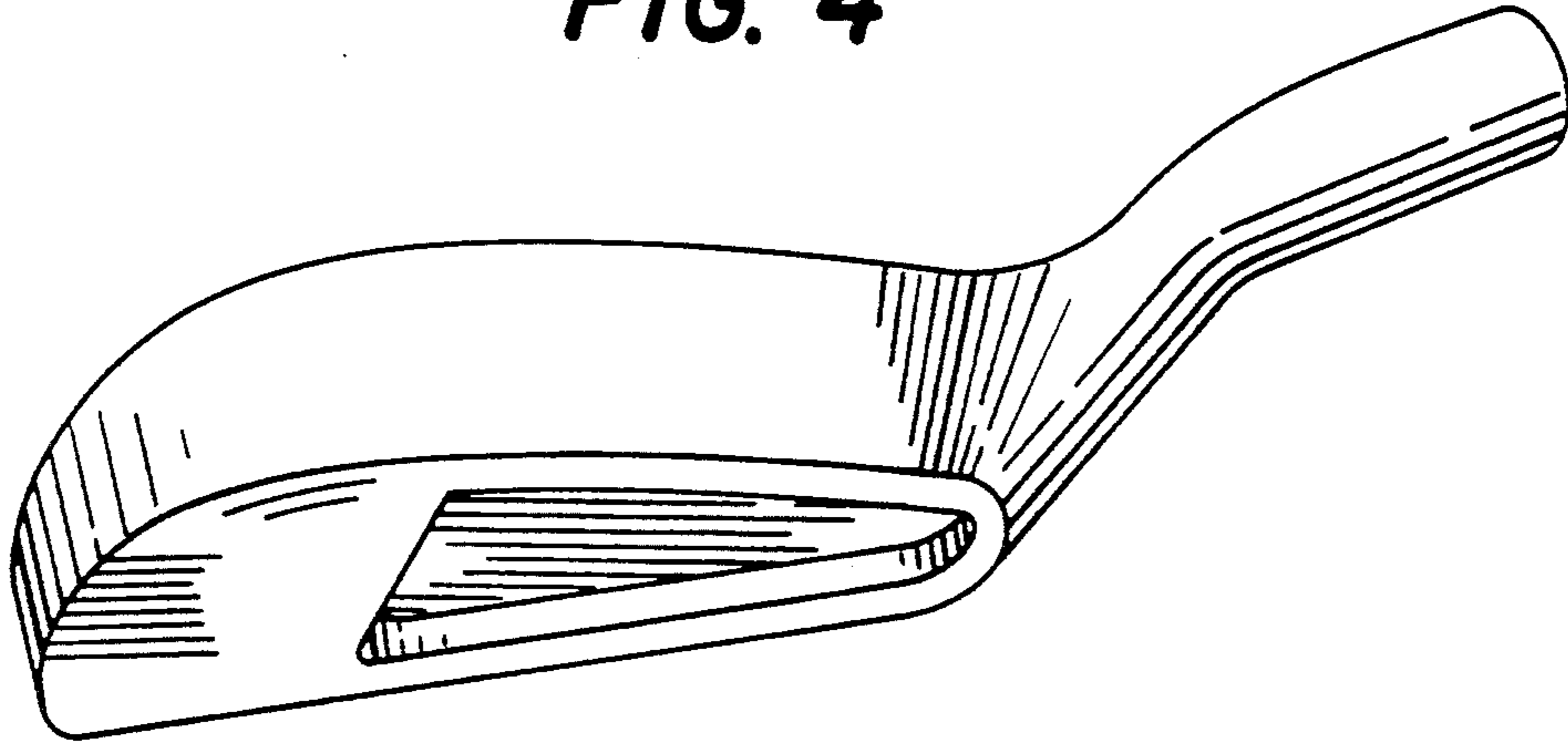


FIG. 5

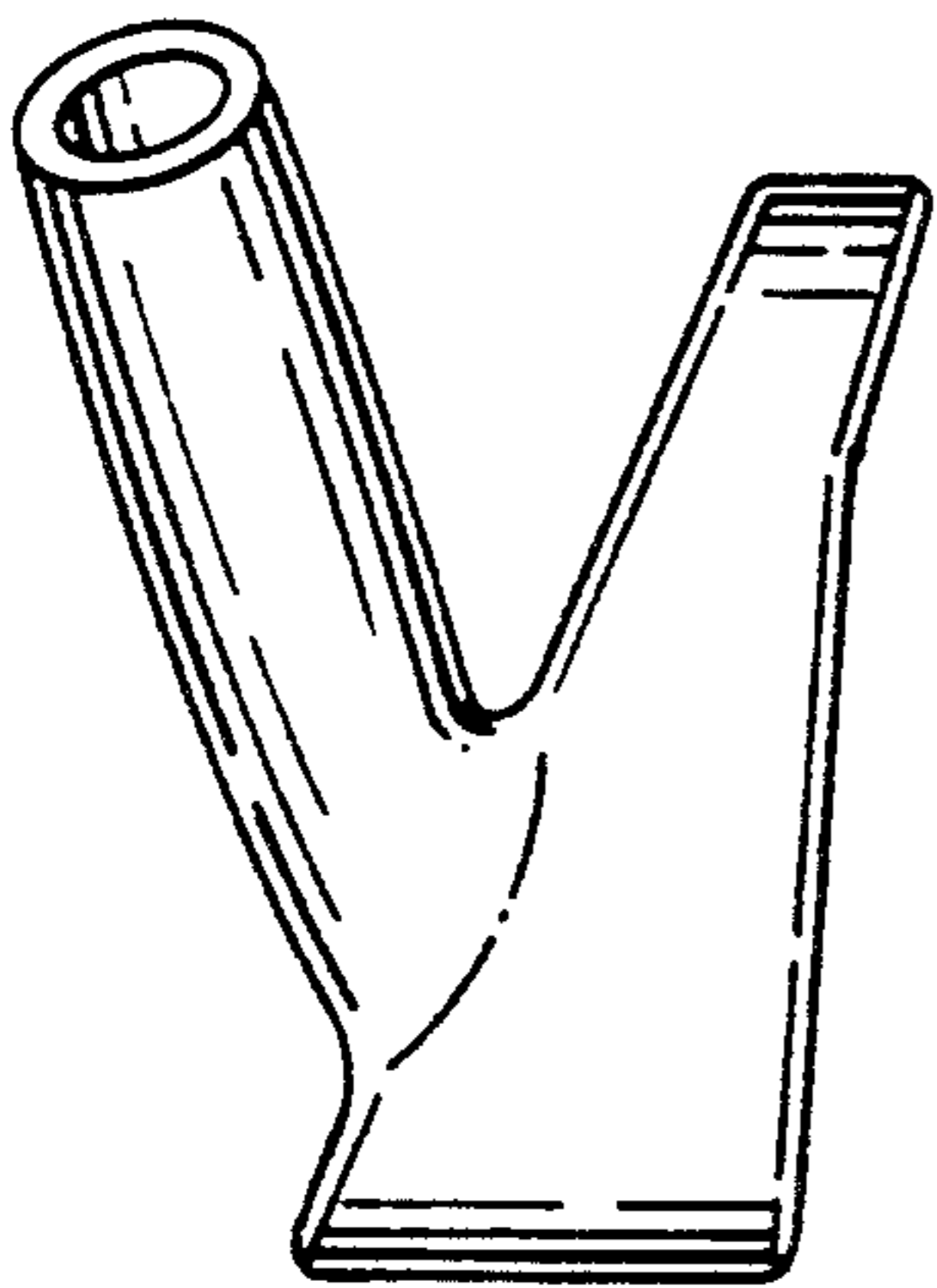


FIG. 6

