



US00D327517S

# United States Patent [19]

[11] Patent Number: **Des. 327,517**

**Bowman**

[45] Date of Patent: **\*\* Jun. 30, 1992**

[54] **DUMBBELL**

[76] Inventor: **Michael P. Bowman**, 7253  
Pepperwood Knoll La. No. 155,  
Sacramento, Calif. 95842

[\*\*] Term: **14 Years**

[21] Appl. No.: **484,736**

[22] Filed: **Feb. 26, 1990**

[52] U.S. Cl. .... **D21/197**

[58] Field of Search ..... **D21/191-197,**  
**D21/199; 272/93, 122, 123, 124**

[56] **References Cited**

**U.S. PATENT DOCUMENTS**

3,734,493	5/1973	Hasekian	272/122
4,722,523	2/1988	Yang	272/122
5,033,740	7/1991	Schwartz	272/122

**FOREIGN PATENT DOCUMENTS**

8410	of 1907	United Kingdom	272/122
------	---------	----------------	---------

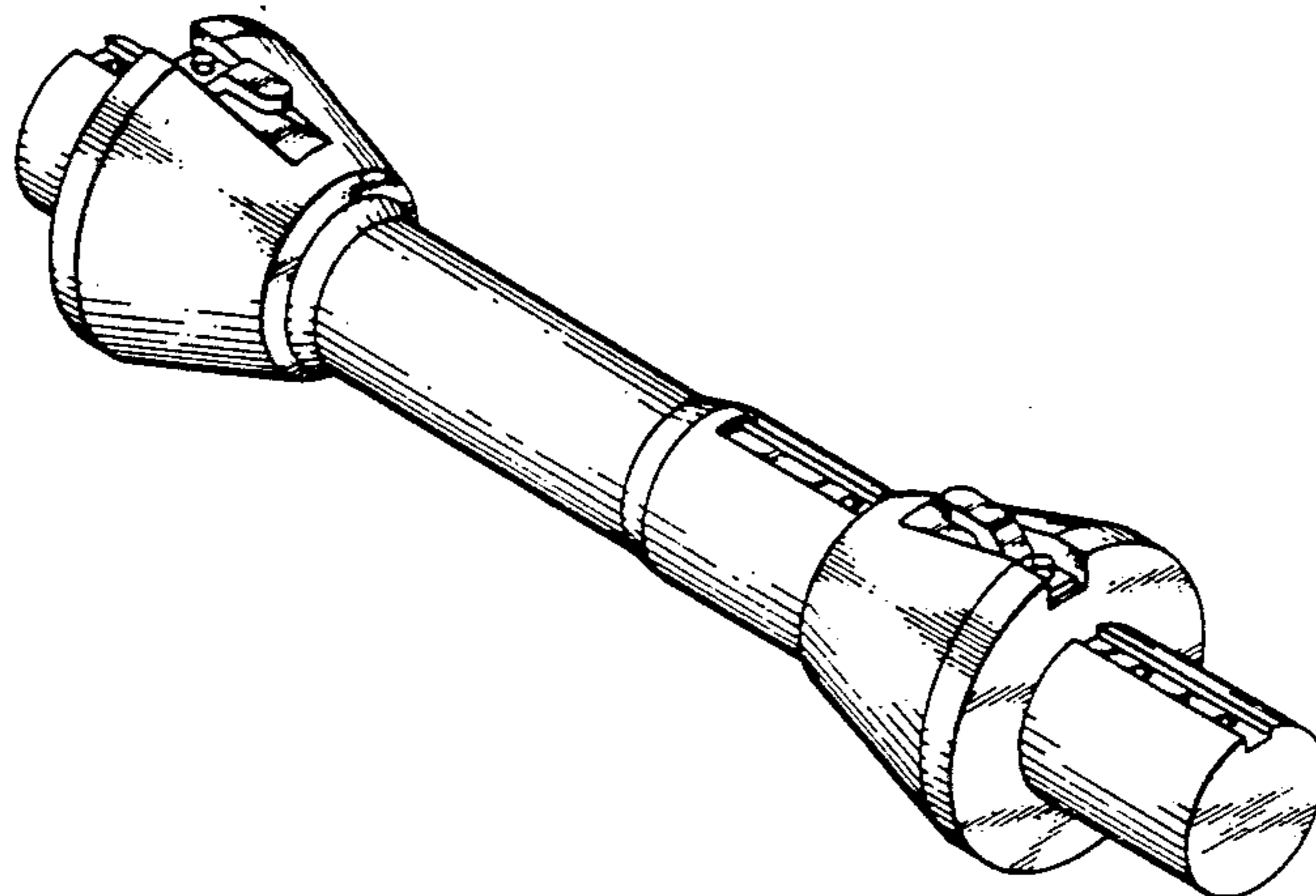
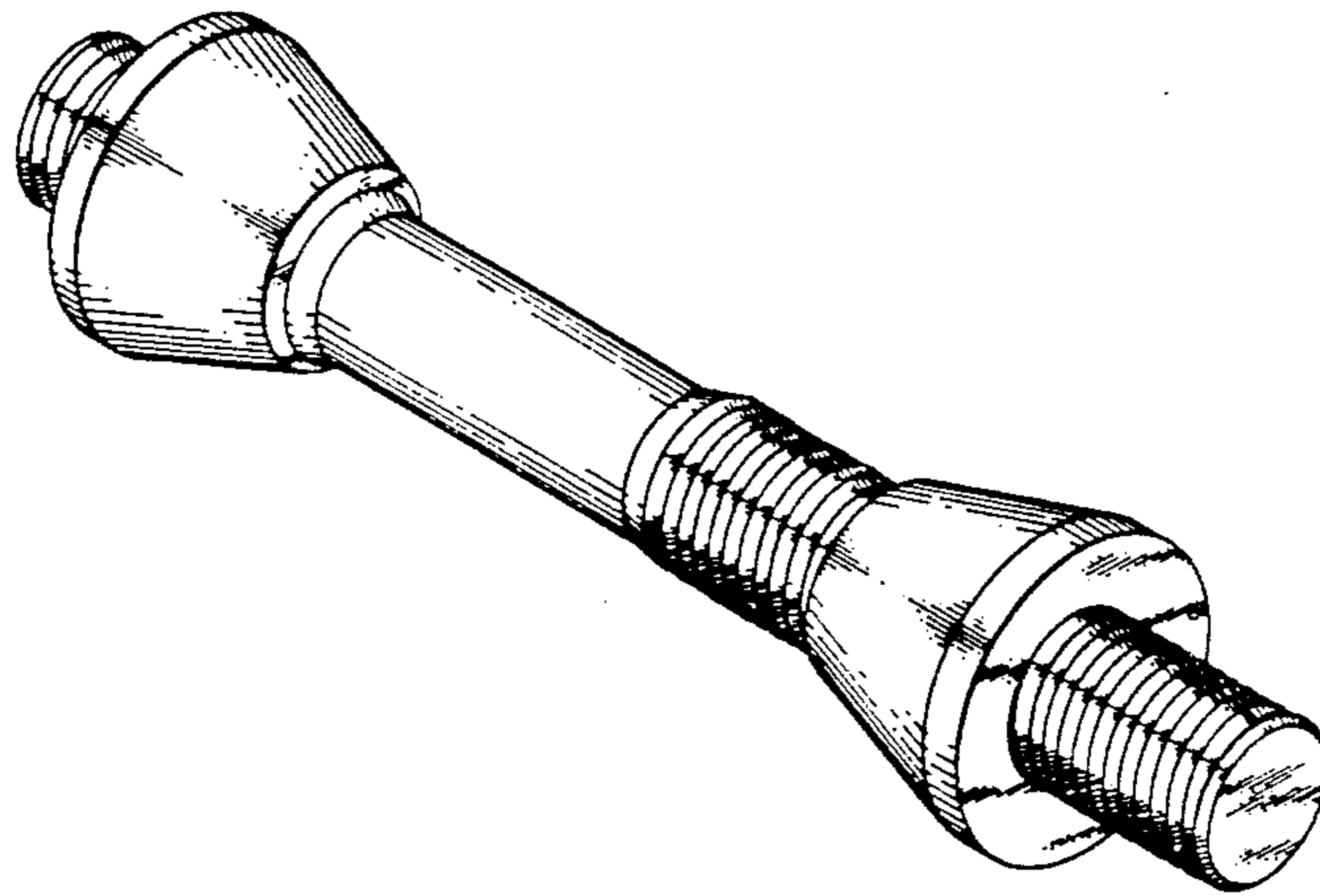
*Primary Examiner*—Charles A. Rademaker  
*Attorney, Agent, or Firm*—Lothrop & West

[57] **CLAIM**

The ornamental design for a dumbbell, as shown and described.

**DESCRIPTION**

FIG. 1 is a right front perspective of a dumbbell, showing my new design;  
 FIG. 2 is a side elevational view, the opposite side elevational view being substantially a mirror image, thereof;  
 FIG. 3 is an end elevational view thereof, the opposite end elevational view being identical thereto;  
 FIG. 4 is a side elevational view as is FIG. 2, with the weights being shown in alternative positions;  
 FIG. 5 is a right front perspective of an alternative embodiment of the dumbbell shown in FIGS. 1 through 4;  
 FIG. 6 is an end elevational view thereof, the opposite end elevational view being identical thereto;  
 FIG. 7 is a side elevational view, the opposite side elevational view being substantially a mirror image, thereof;  
 FIG. 8 is a top plan view, thereof;  
 FIG. 9 is a bottom plan view, thereof; and,  
 FIG. 10 is a side elevational view as in FIG. 7, with the weights being shown in alternative positions.



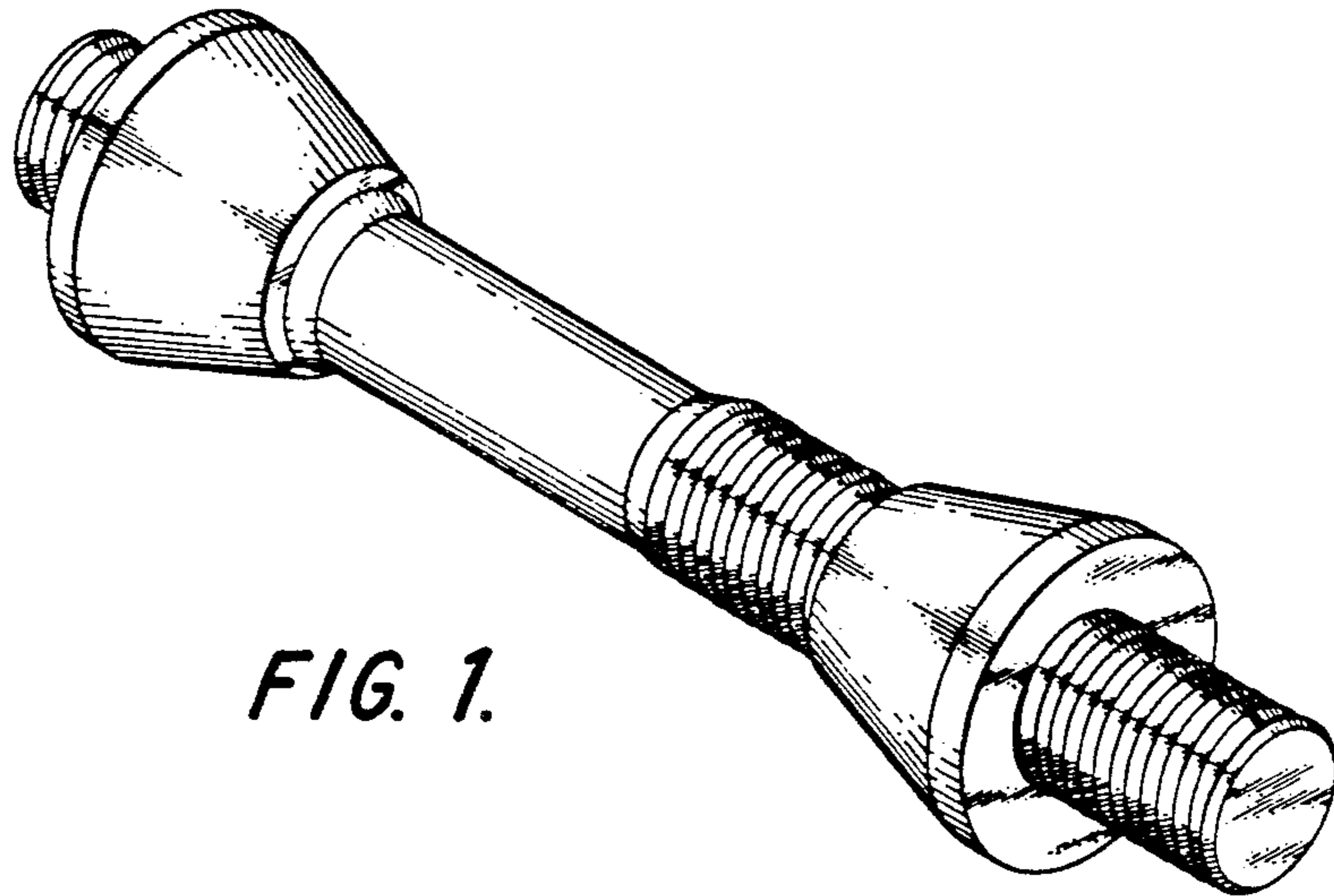


FIG. 1.

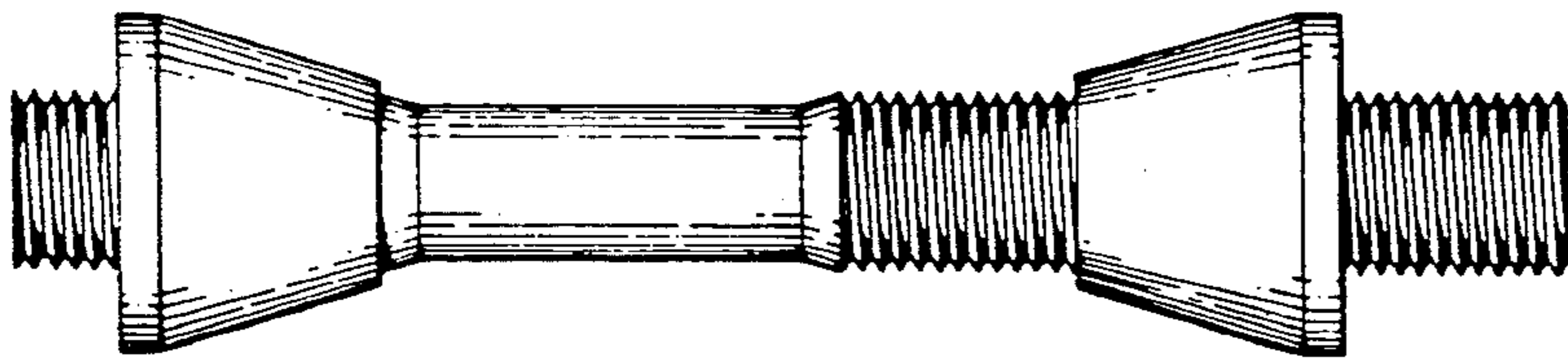


FIG. 2.

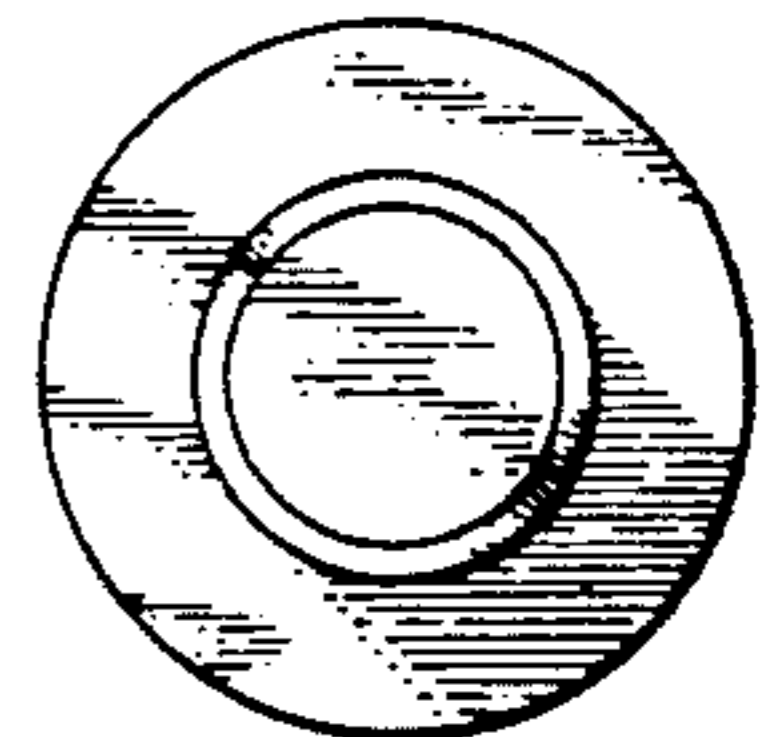


FIG. 3.

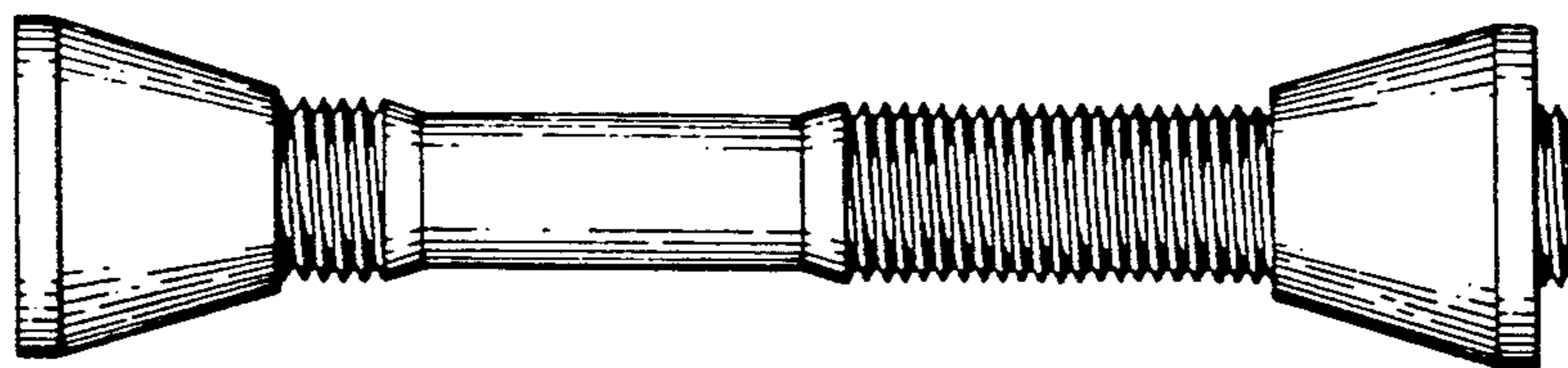
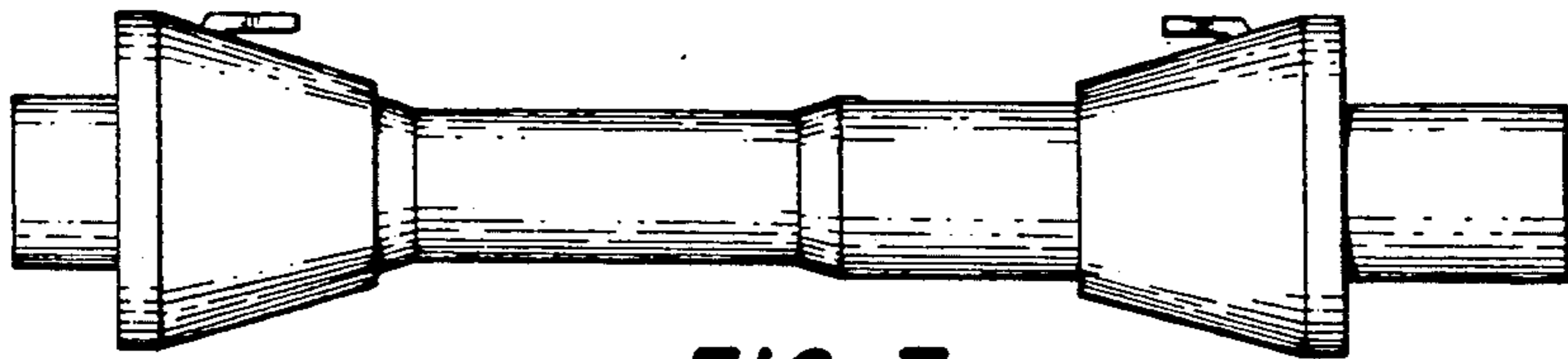
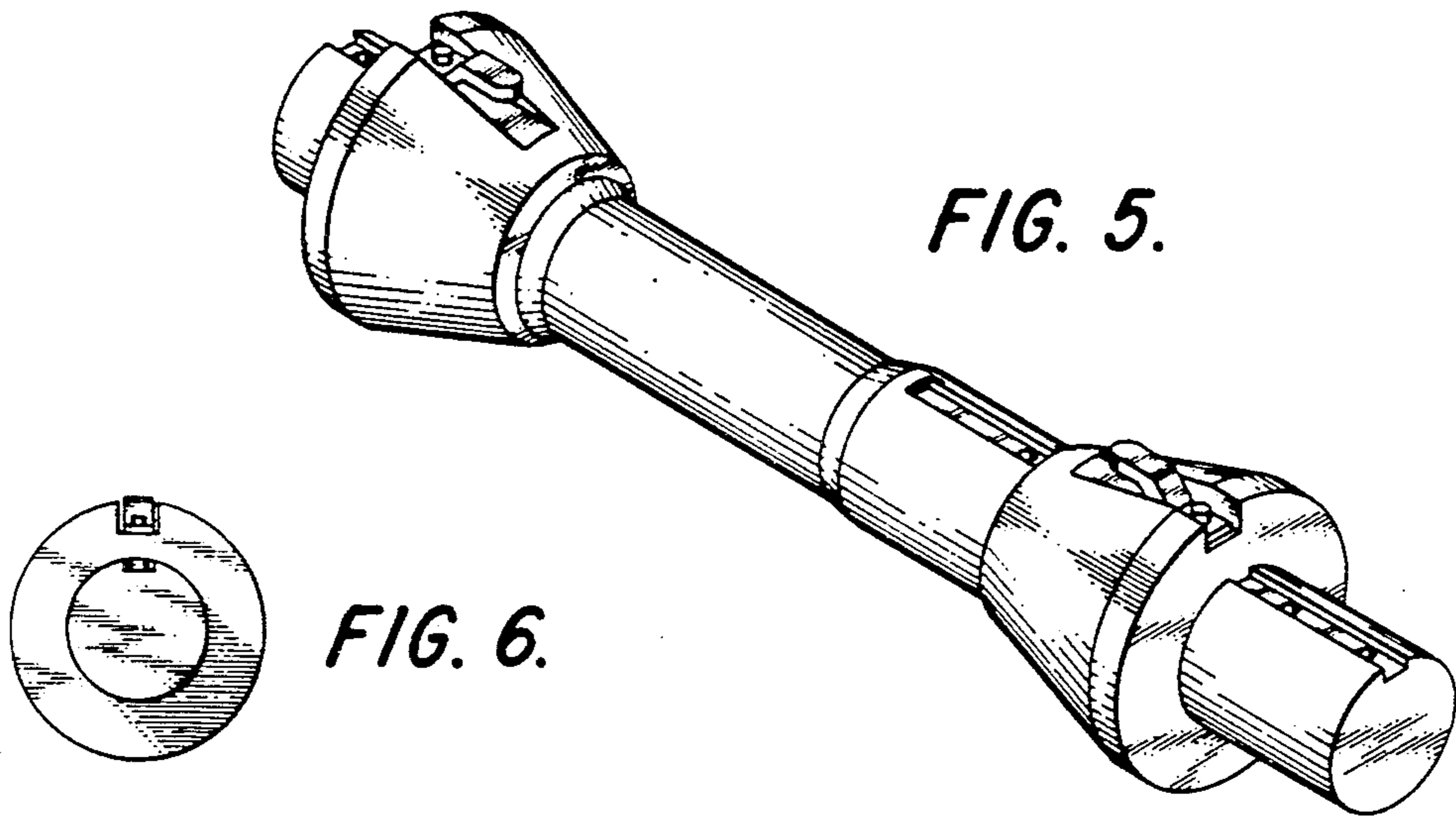
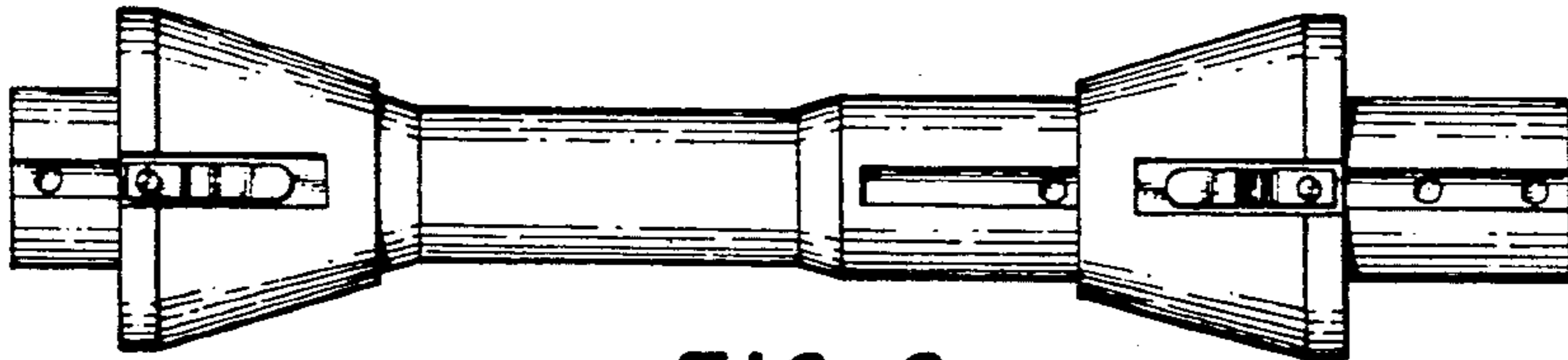


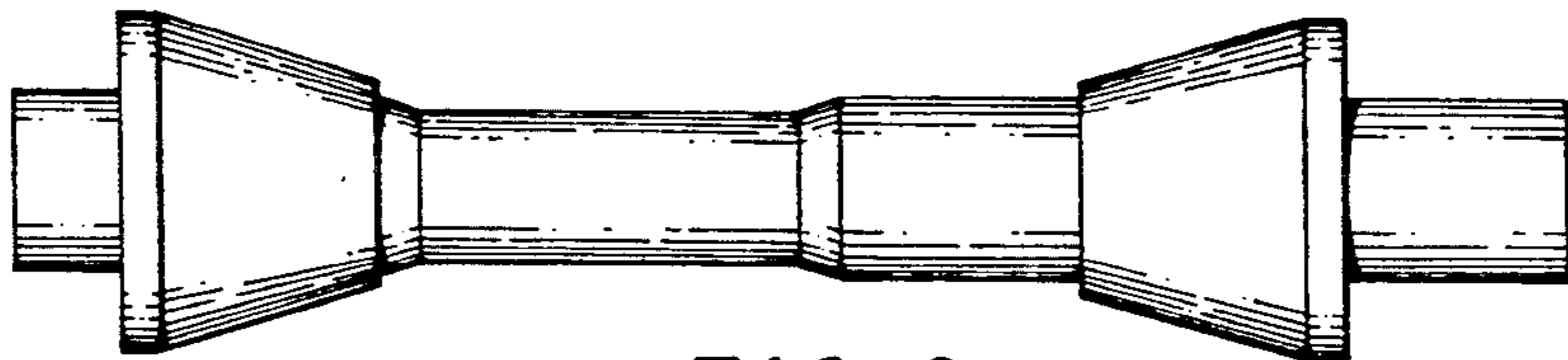
FIG. 4.



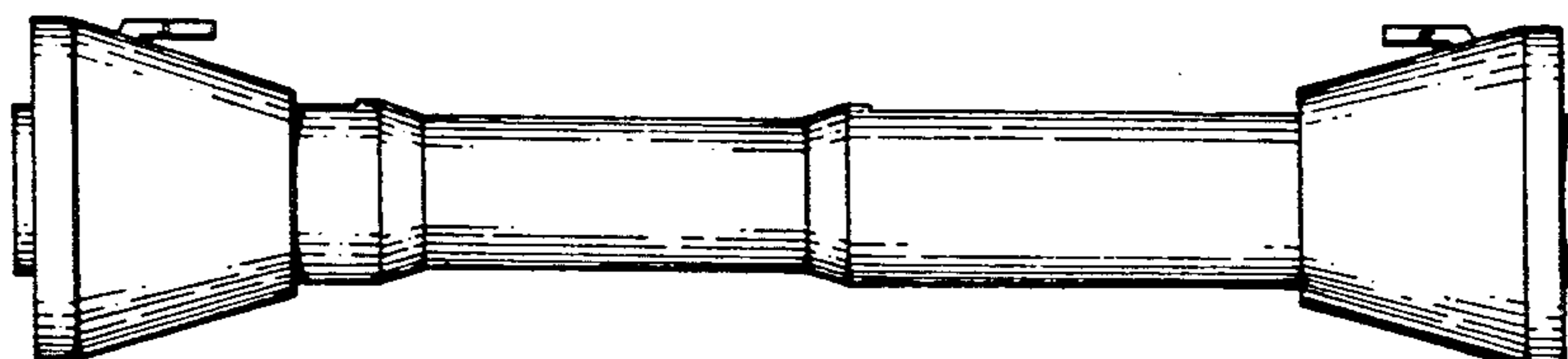
*FIG. 7.*



*FIG. 8.*



*FIG. 9.*



*FIG. 10.*