



US00D327516S

United States Patent [19]

[11] Patent Number: **Des. 327,516**

Ingvarsson

[45] Date of Patent: **** Jun. 30, 1992**

[54] BEAM

[75] Inventor: **Lars I. Ingvarsson, Borlänge, Sweden**

[73] Assignee: **Coil Processing Systems CPS Teknik AB, Borlänge, Sweden**

[**] Term: **14 Years**

[21] Appl. No.: **460,608**

[22] Filed: **Jan. 3, 1990**

[30] **Foreign Application Priority Data**

Jul. 3, 1989 [SE] Sweden 891589

[52] U.S. Cl. **D25/122**

[58] Field of Search **D25/122, 124, 126, 123, D25/125, 120, 131; 256/DIG. 5; 52/263, 138, 721, 731, 733, 735, 737, 720, 730**

[56] **References Cited**

U.S. PATENT DOCUMENTS

D. 244,942	7/1977	Babrovniczky	D25/120
D. 254,092	1/1980	Slade	D25/126
3,715,849	2/1973	Strassle	D25/131
4,583,359	4/1986	Staeger	52/738
4,805,365	2/1989	Bastian	52/738

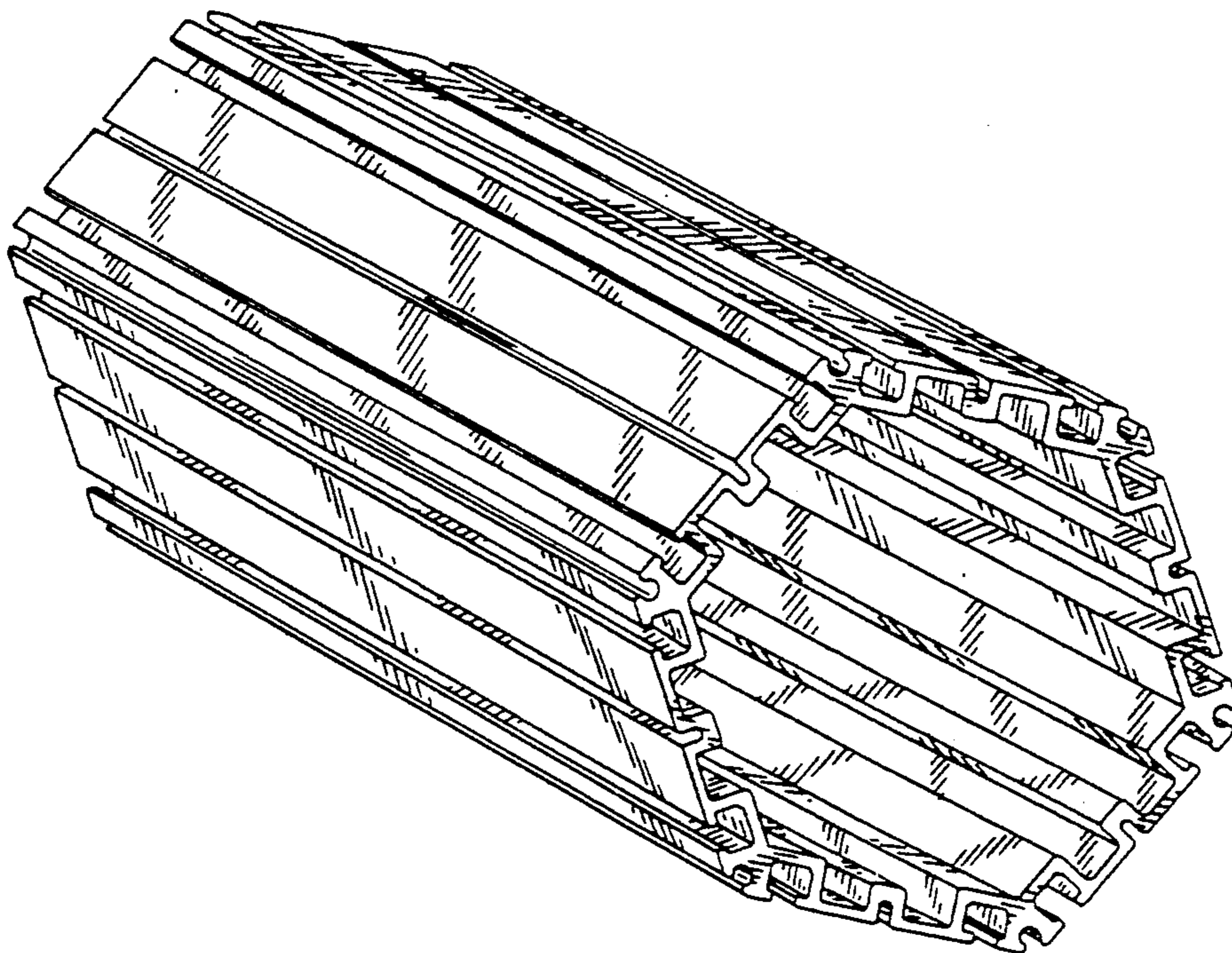
Primary Examiner—James R. Largen
Assistant Examiner—Doris Clark
Attorney, Agent, or Firm—Nils H. Ljungman & Associates

[57] **CLAIM**

The ornamental design for a beam, as shown and described.

DESCRIPTION

FIG. 1 is a perspective view of a beam showing my new design;
FIG. 2 is a side elevational view, the opposite side being a mirror image thereof; and,
FIG. 3 is an end elevational view, the opposite end being a mirror image thereof.



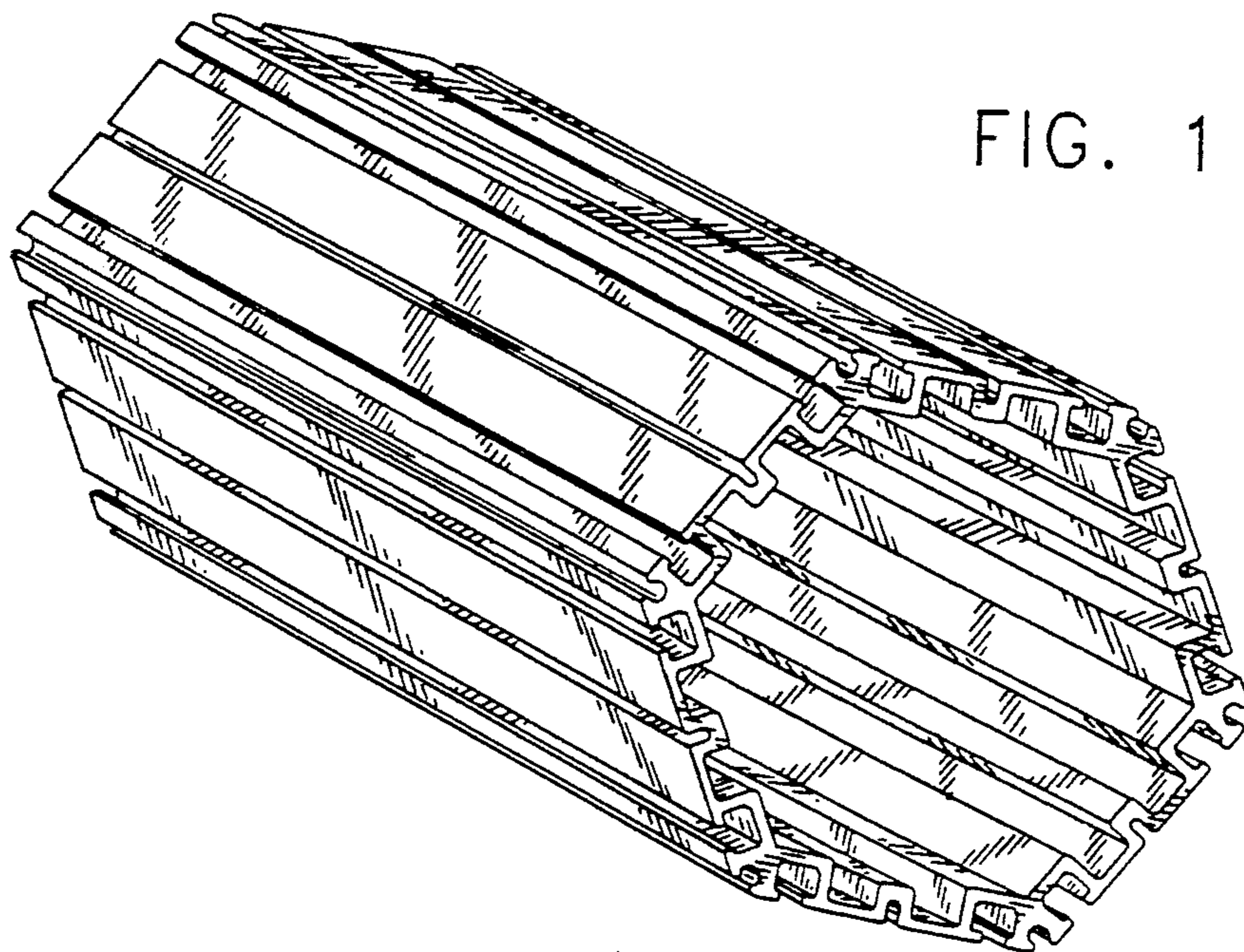


FIG. 1

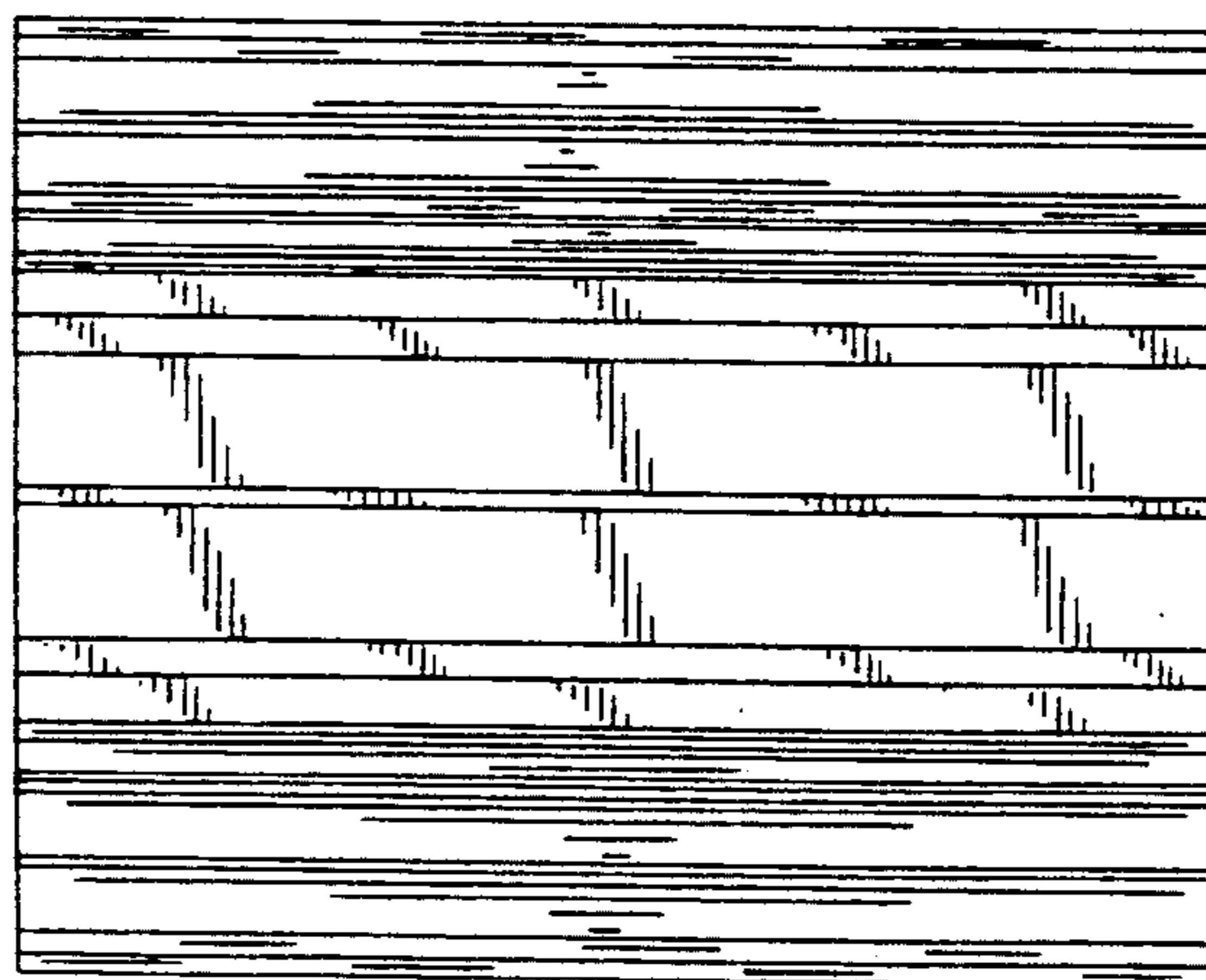


FIG. 2

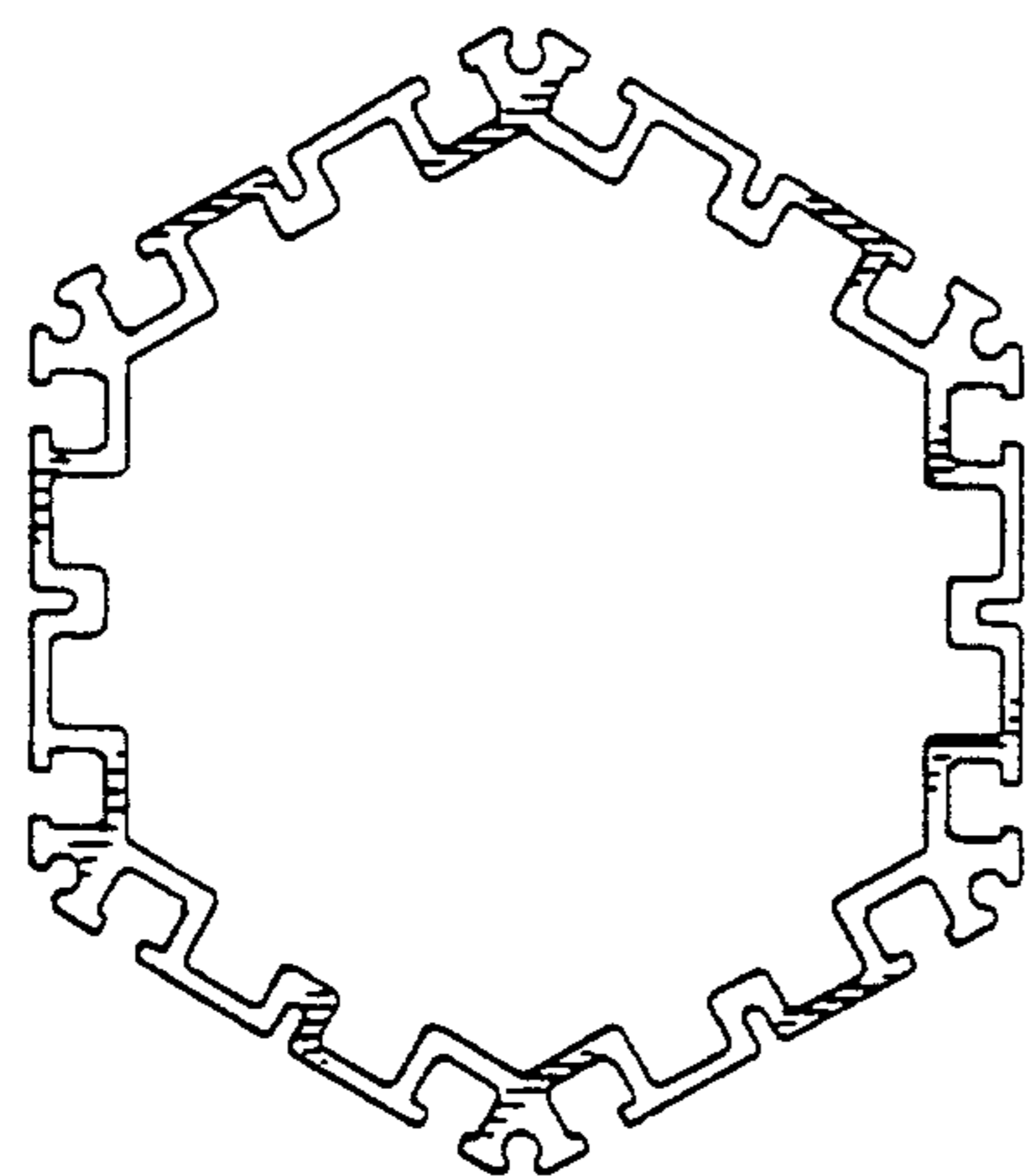


FIG. 3