



US00D327513S

United States Patent [19]

[11] Patent Number: **Des. 327,513**

Rasmussen

[45] Date of Patent: **** Jun. 30, 1992**

[54] HEAD FOR A TOY BUILDING SET

D. 301,500 6/1989 Tapdrup D21/163
5,000,713 3/1991 Cheng 446/128

[75] Inventor: Erik H. Rasmussen, Kokkedal, Denmark

Primary Examiner—Bernard Ansher
Assistant Examiner—R. Barkai
Attorney, Agent, or Firm—Kane, Dalsimer, Sullivan, Kurucz, Levy, Eisele and Richard

[73] Assignee: Interlego A.G., Baar, Switzerland

[**] Term: 14 Years

[57] CLAIM

[21] Appl. No.: 621,940

The ornamental design for a head for a toy building set, as shown and described.

[22] Filed: Dec. 4, 1990

[52] U.S. Cl. D21/108

DESCRIPTION

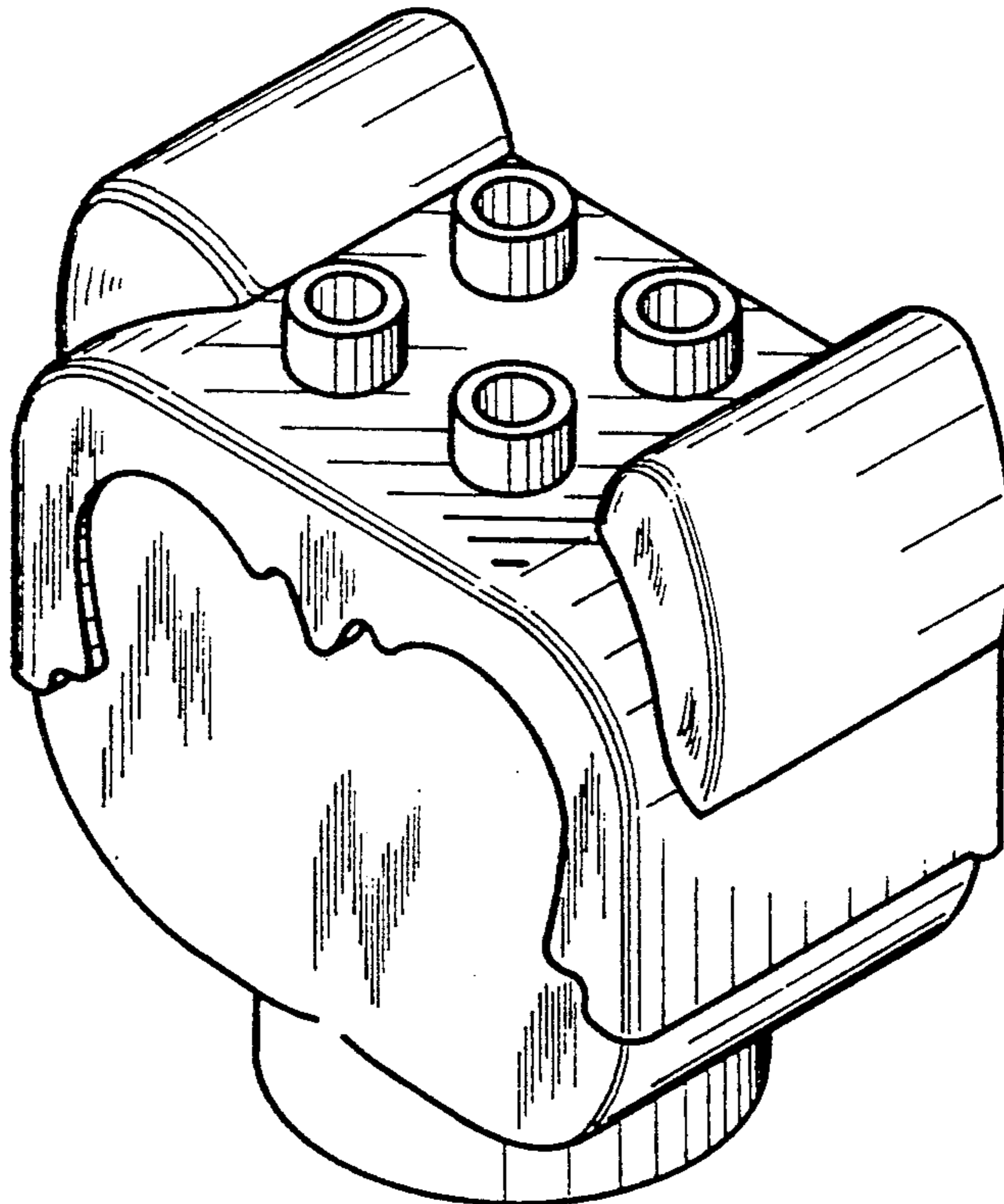
[58] Field of Search D21/108, 148, 159, 163, D21/166, 168, 187, 161; 446/97, 101, 128

FIG. 1 is a top perspective view of a head for a toy building set showing my new design; FIG. 2 is a front elevational view thereof; FIG. 3 is a right side elevational view thereof, the left side elevational view being a mirror image; FIG. 4 is a rear elevational view thereof; FIG. 5 is a top plan view thereof; and, FIG. 6 is a bottom plan view thereof.

[56] References Cited

U.S. PATENT DOCUMENTS

D. 248,115 6/1978 Tapdrup D21/168
D. 285,225 8/1986 Tapdrup D21/108
D. 301,499 6/1989 Tapdrup D21/163



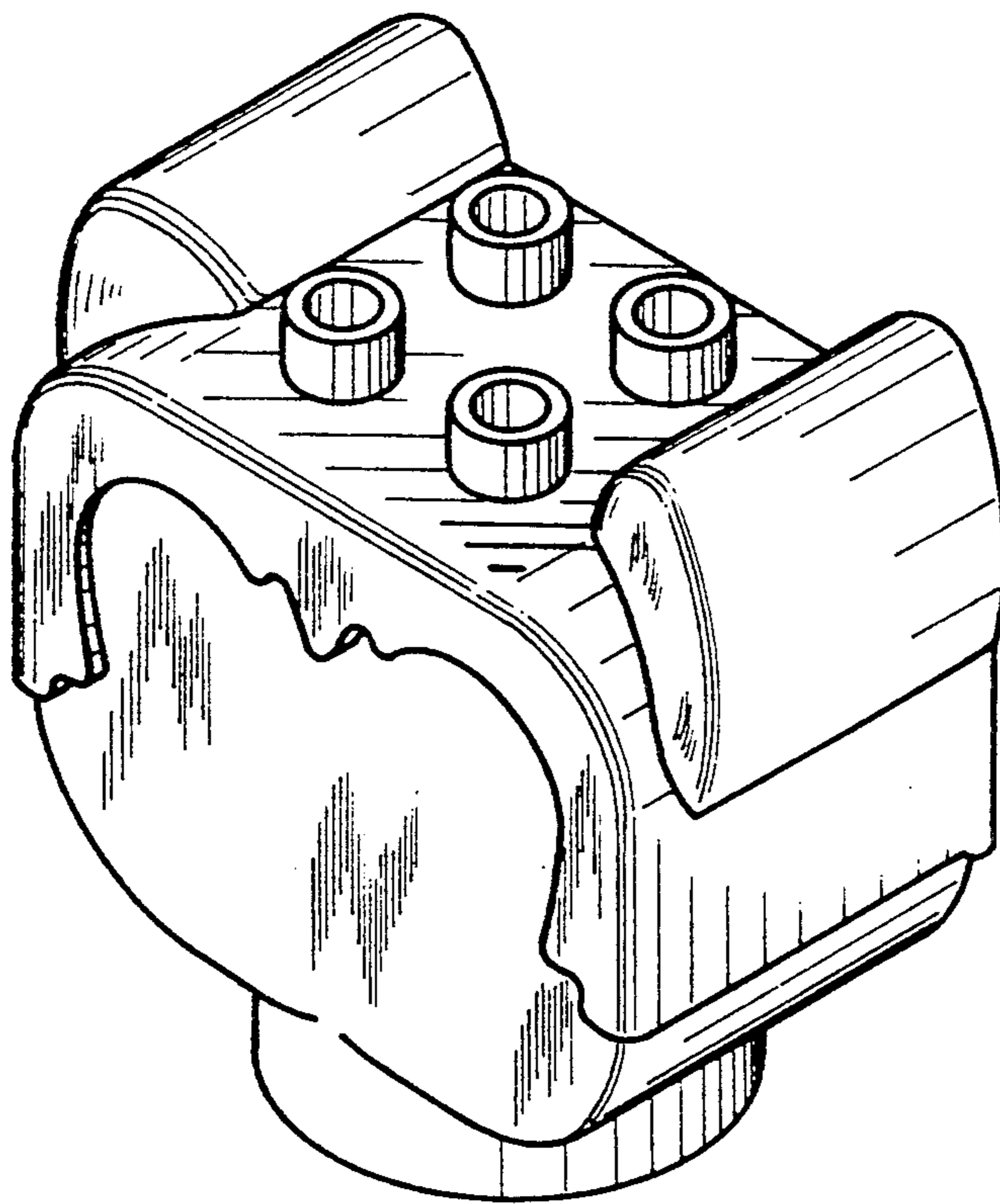


FIG. 1

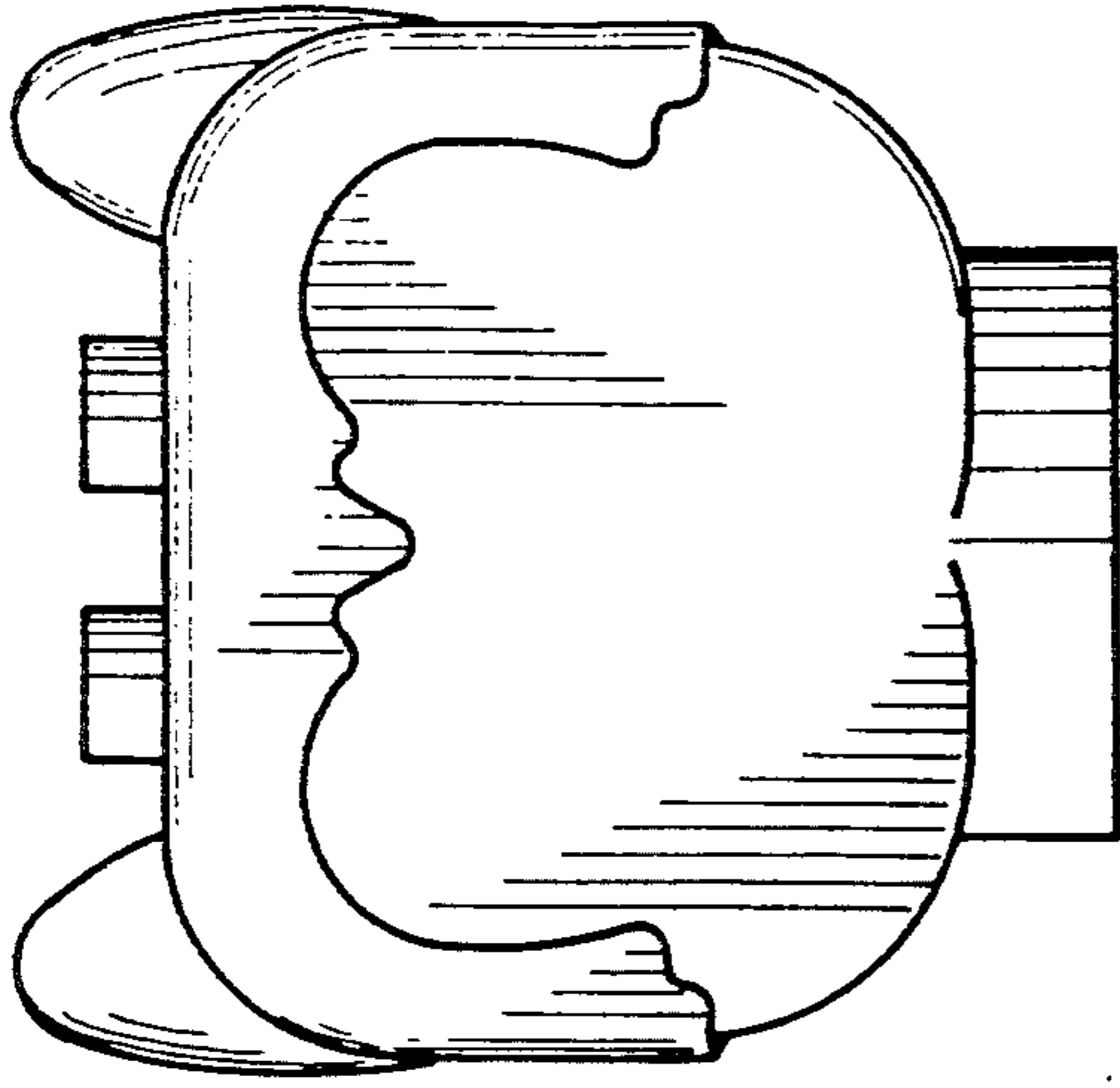


FIG. 2

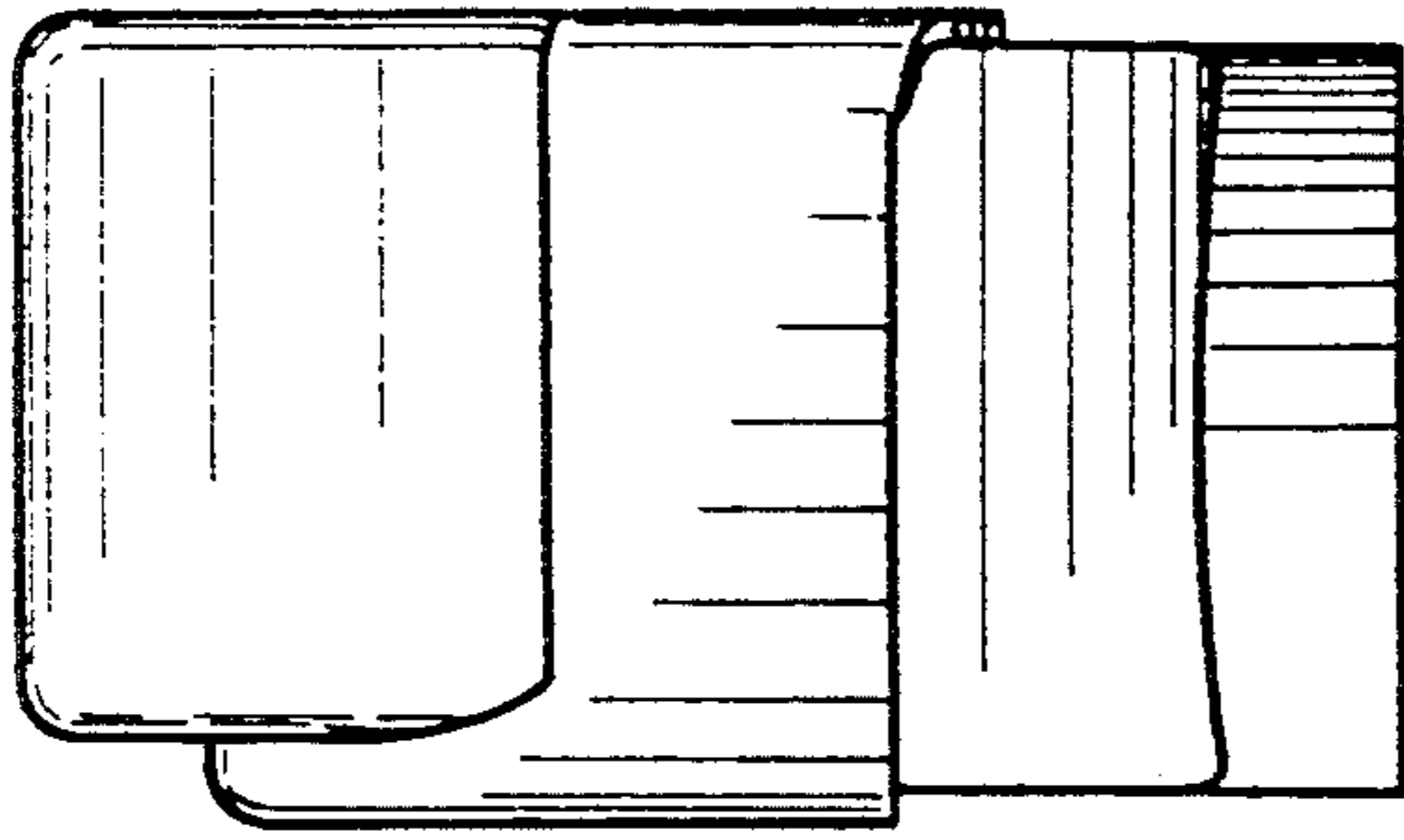


FIG. 3

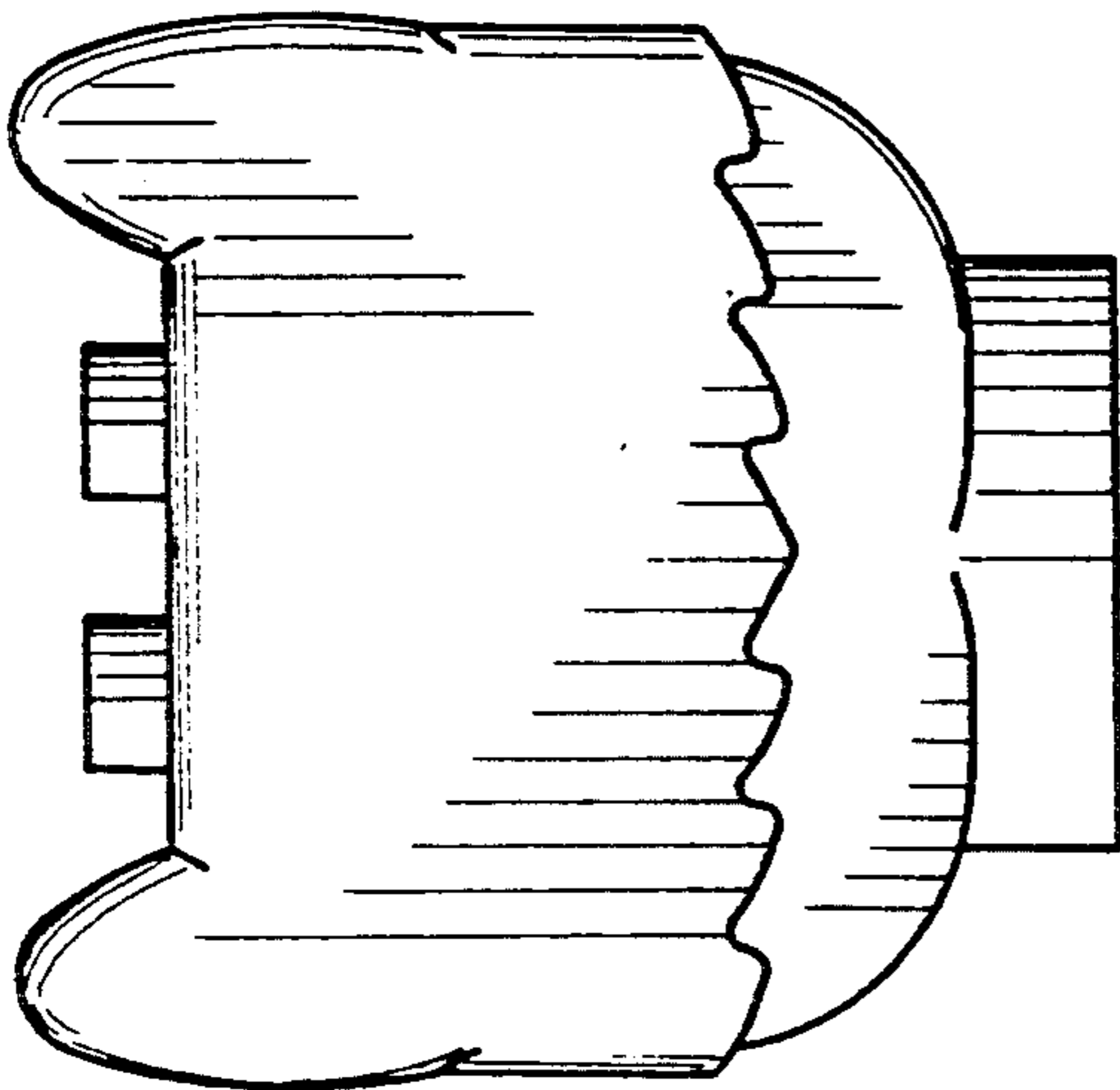


FIG. 4

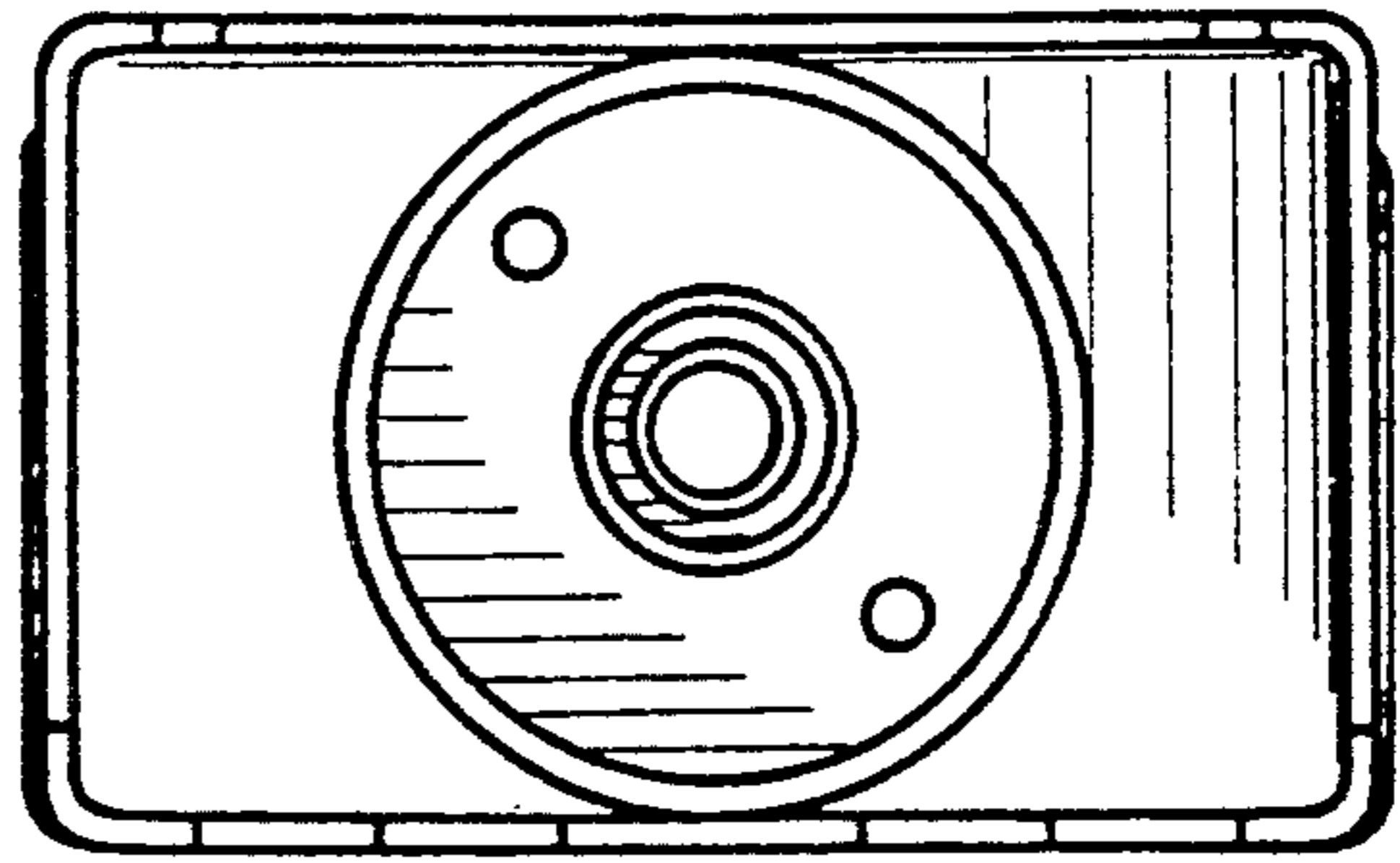


FIG. 6

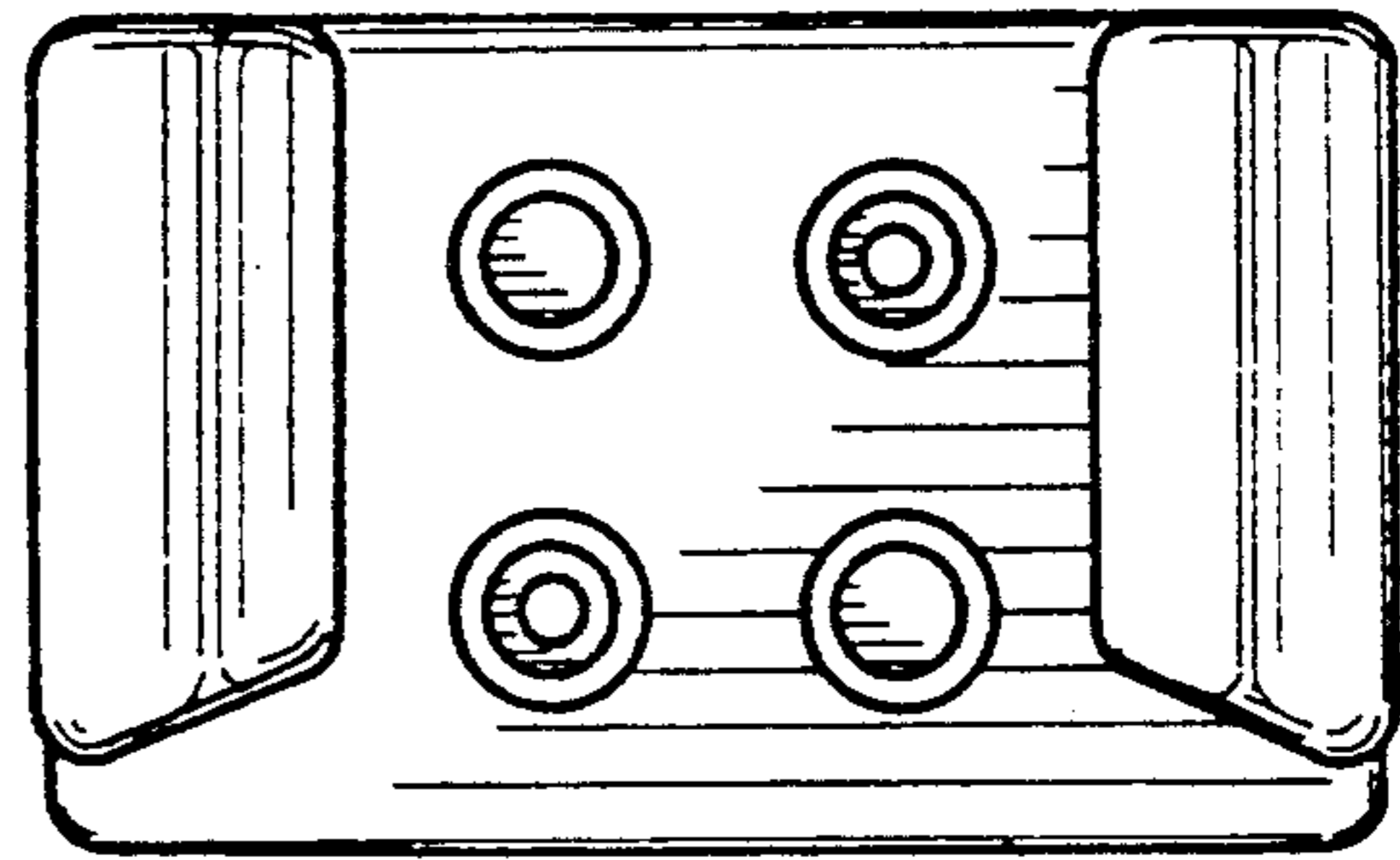


FIG. 5