



US00D327512S

United States Patent [19]

[11] Patent Number: **Des. 327,512**

Harrod

[45] Date of Patent: **** Jun. 30, 1992**

- [54] RIDING TOY
- [75] Inventor: **Lawrence R. Harrod**, Fort Wayne, Ind.
- [73] Assignee: **Kransco**, San Francisco, Calif.
- [**] Term: **14 Years**
- [21] Appl. No.: **596,975**
- [22] Filed: **Oct. 12, 1990**
- [52] U.S. Cl. **D21/76**
- [58] Field of Search **D21/71, 74, 75, 76, D21/80, 78, 134, 136, 137, 148; D12/87, 91, 92; 446/275, 279, 286, 462, 463, 465, 440, 451; 280/87.021, 87.01, 282, 1.16, 1.13; 180/210; 272/52, 54**

4,535,869 8/1985 Tsutsumikoshi 280/282

OTHER PUBLICATIONS

Tomy Toy Catalog, p. 33, 1987, #6038 (Toy Vehicles Digest).
 Tyco Toy Catalog, pp. 78-79, 1987 (Toy Vehicles Digest).
Primary Examiner—Bernard Ansher
Assistant Examiner—R. Barkai
Attorney, Agent, or Firm—Kolisch, Hartwell, Dickinson, McCormack & Heuser

CLAIM

[57] The ornamental design for a riding toy, as shown and described.

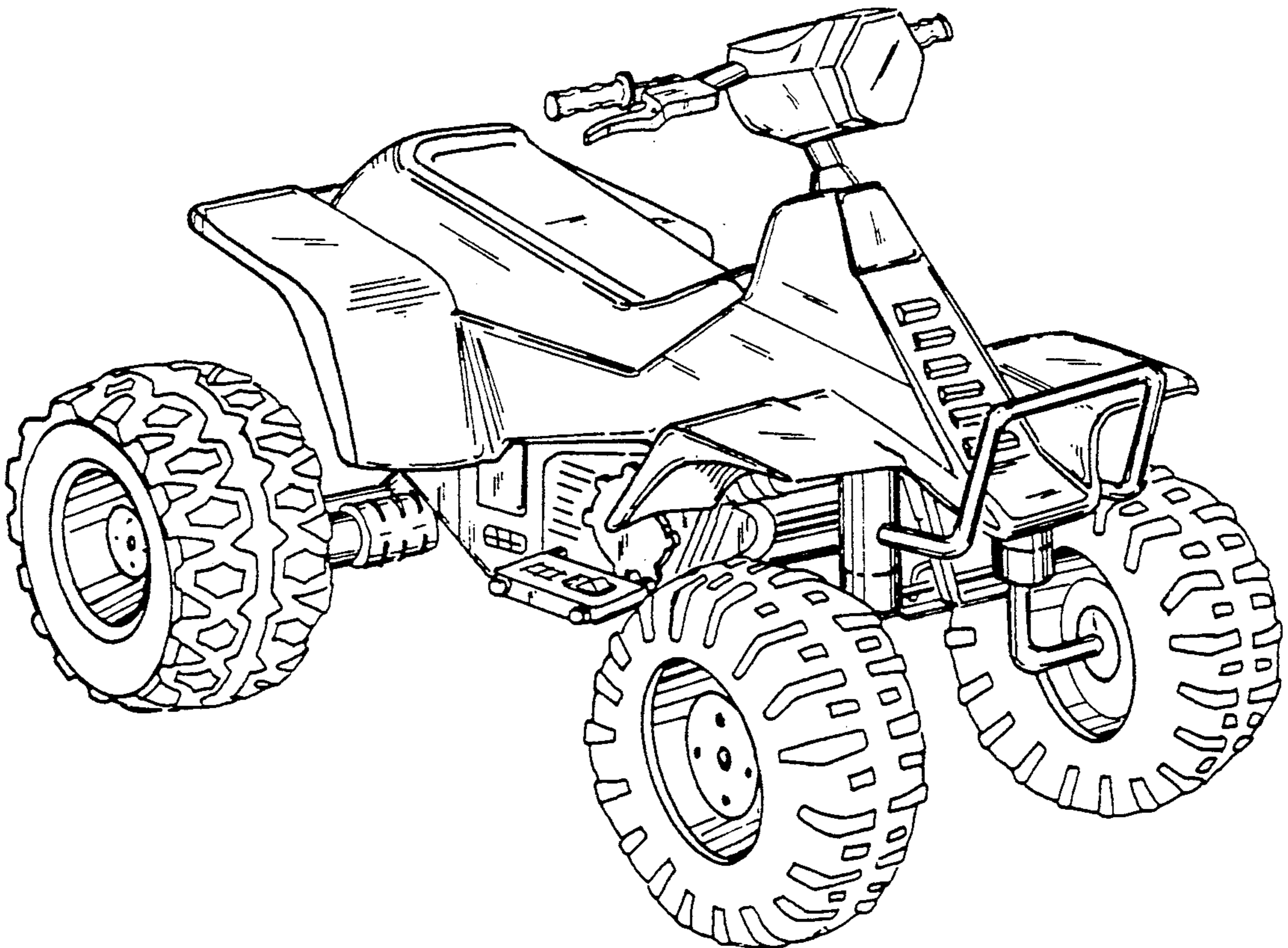
References Cited

U.S. PATENT DOCUMENTS

- D. 176,157 11/1955 Scanland .
- D. 222,755 12/1971 Michael .
- D. 272,166 1/1984 Orenstein .
- D. 285,947 9/1986 Blumenthal .
- D. 292,009 9/1987 Harrod D21/76
- D. 299,663 1/1989 Harrod D21/76
- D. 307,610 5/1990 Harrod D21/80

DESCRIPTION

FIG. 1 is a perspective view of a riding toy showing my new design;
 FIG. 2 is a right elevation thereof;
 FIG. 3 is a left elevation thereof;
 FIG. 4 is a front elevation thereof;
 FIG. 5 is a rear elevation thereof;
 FIG. 6 is a top plan view thereof; and,
 FIG. 7 is a bottom plan view thereof.



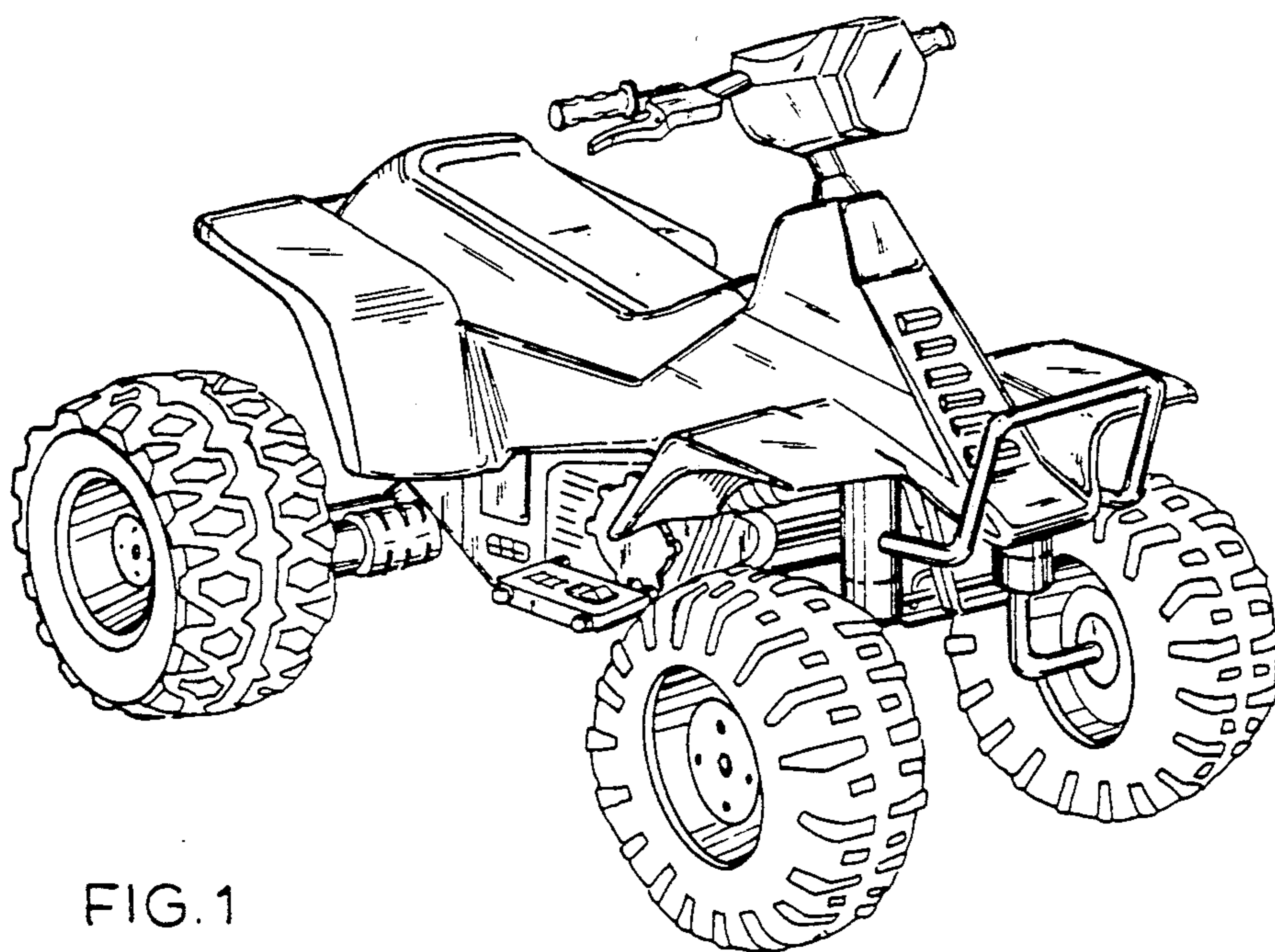


FIG. 1

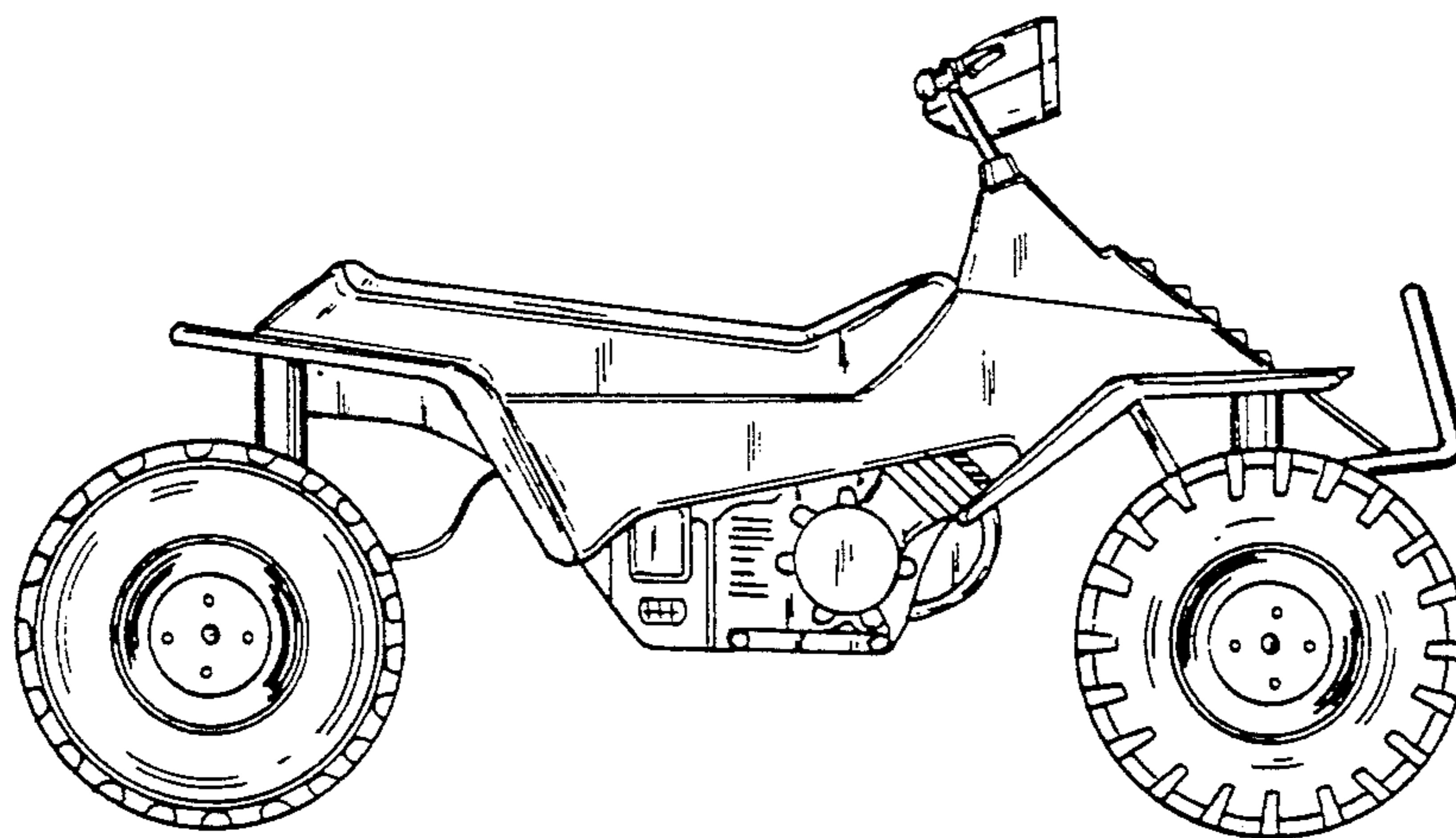


FIG. 2

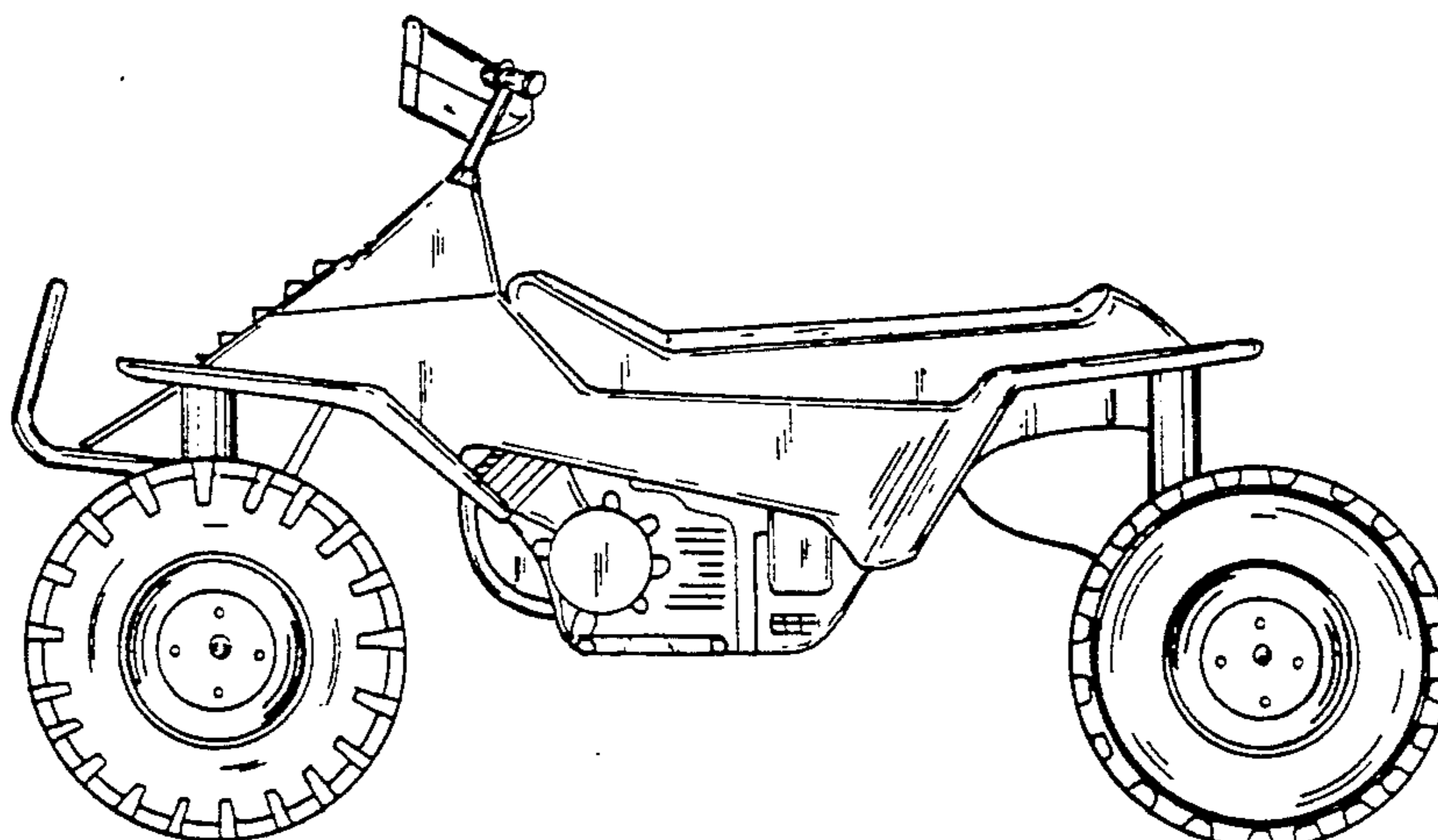


FIG. 3

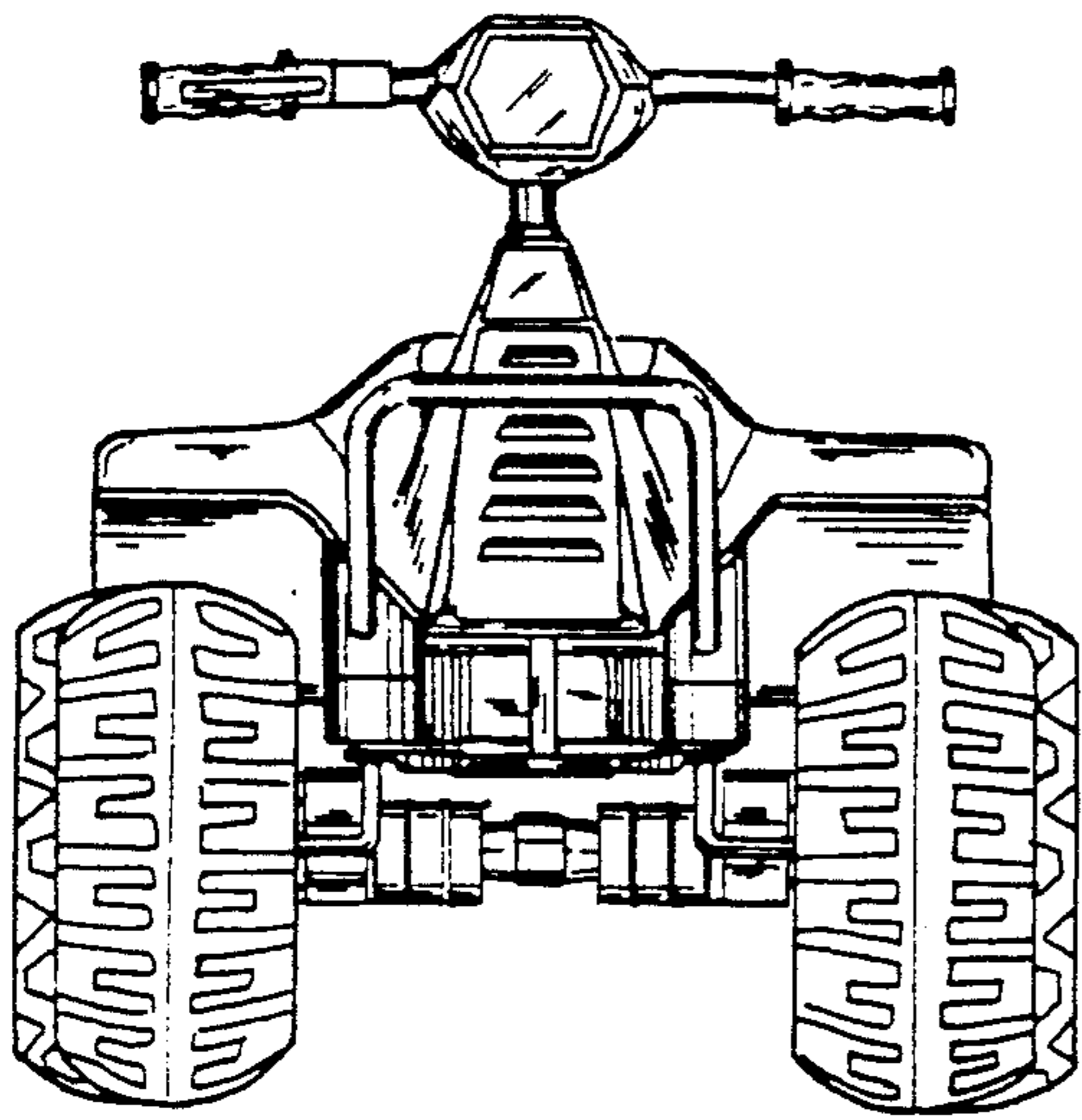


FIG. 4

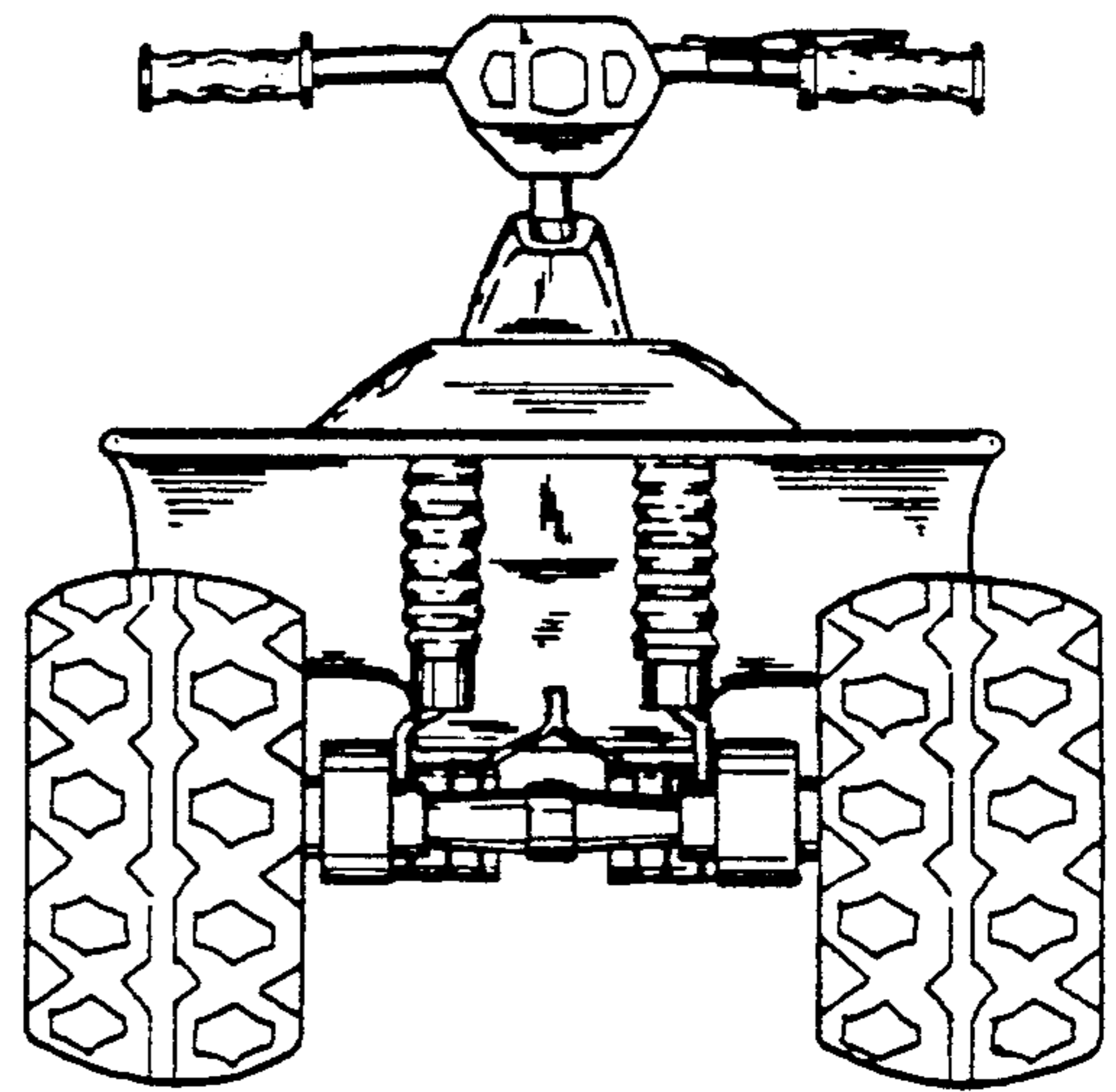


FIG. 5

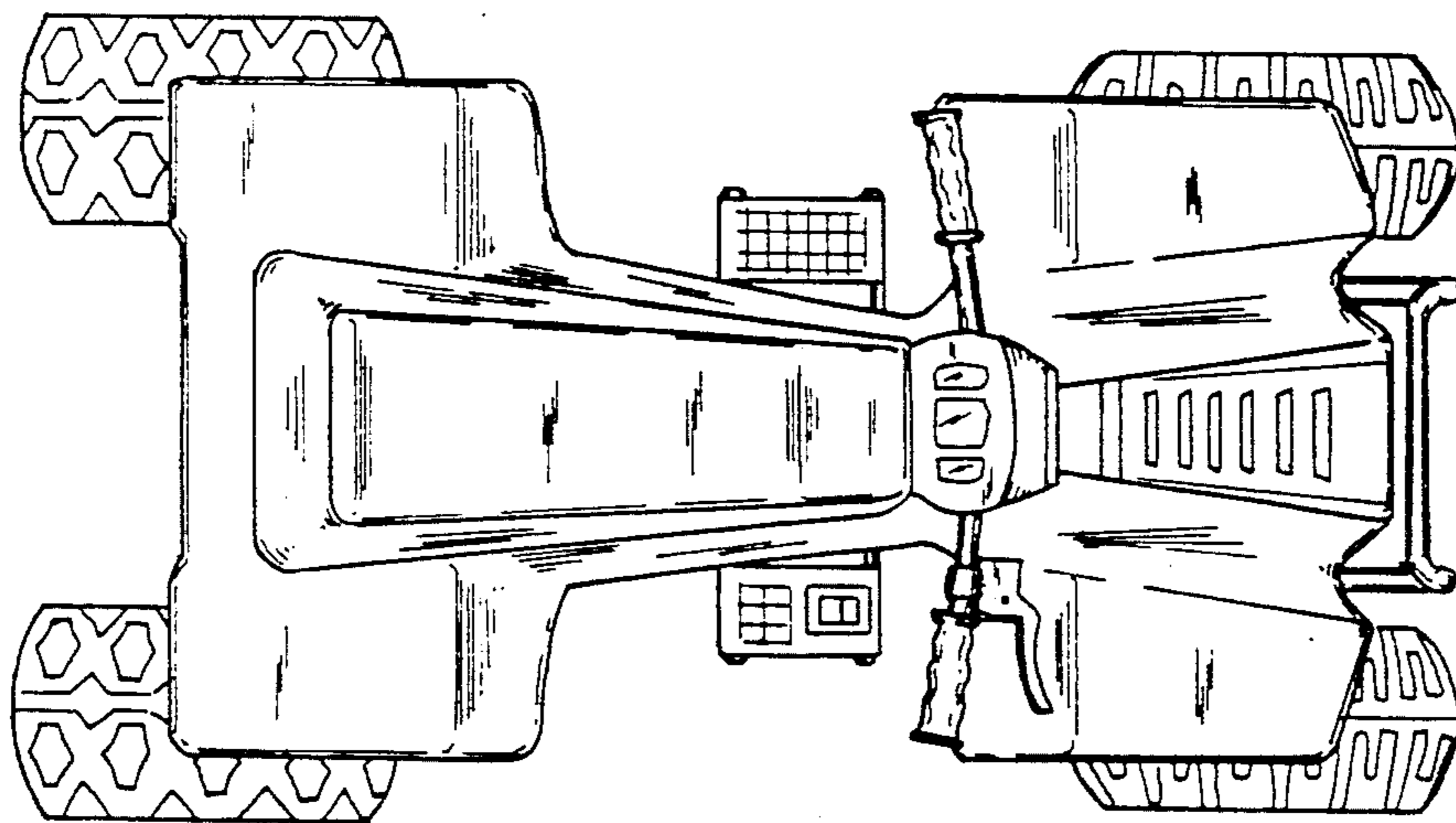


FIG. 6

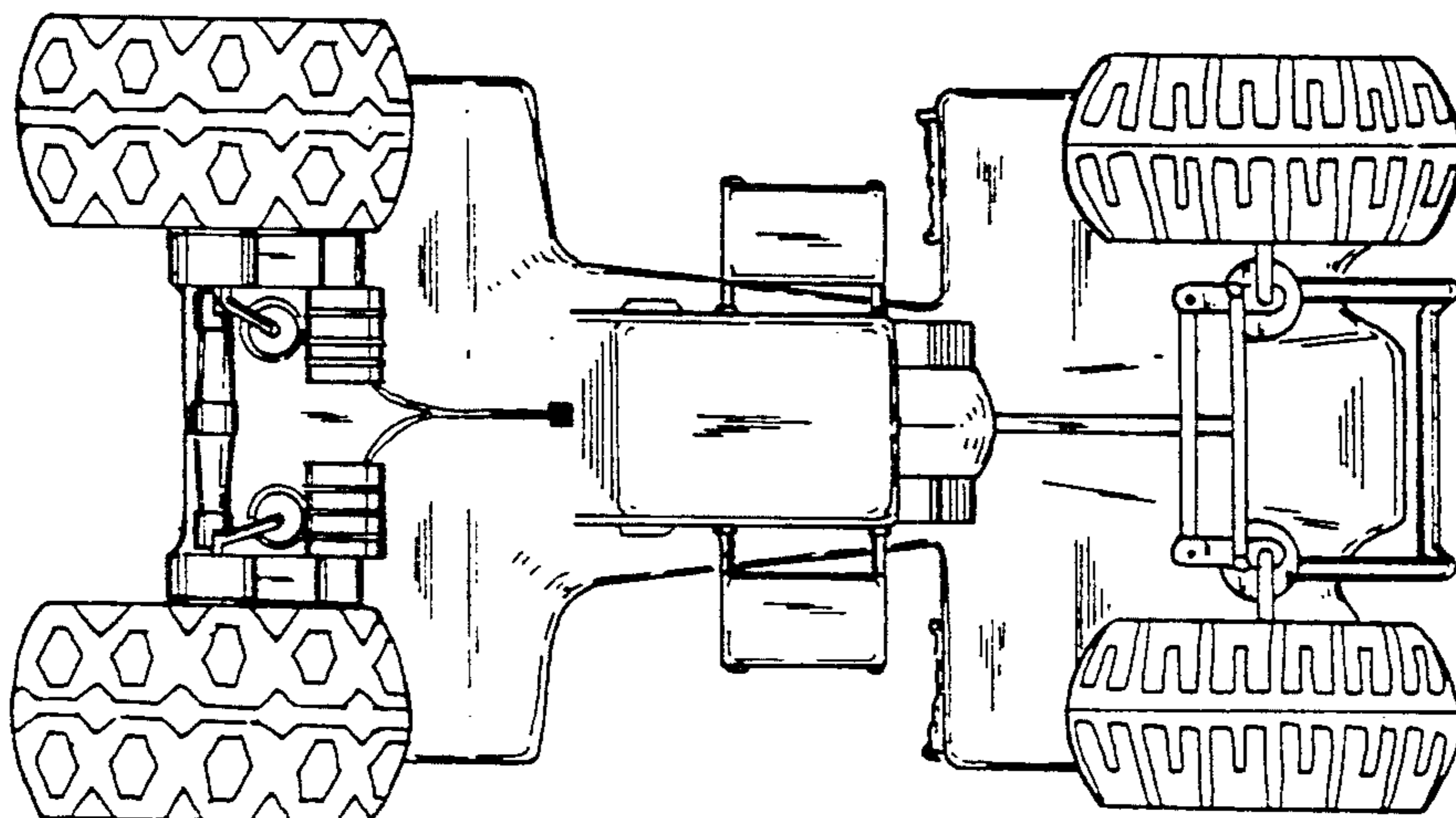


FIG. 7