



US00D327504S

# United States Patent [19]

[11] Patent Number: **Des. 327,504**

Breen et al.

[45] Date of Patent: **\*\* Jun. 30, 1992**

[54] **PAPER TRAY**

[75] Inventors: **John D. Breen, Wooster; David L. Hunt, Cincinnati, both of Ohio**

[73] Assignee: **Rubbermaid Incorporated, Wooster, Ohio**

[\*\*] Term: **14 Years**

[21] Appl. No.: **576,928**

[22] Filed: **Sep. 4, 1990**

[52] U.S. Cl. .... **D19/92; D19/86; D19/95**

[58] Field of Search ..... **D7/550; D19/65, 75, D19/78, 86, 91, 92, 95, 99, 100; 211/10, 11, 55, 128, 126; 206/449, 503, 555, 557**

[56] **References Cited**

**U.S. PATENT DOCUMENTS**

D. 139,095	10/1944	Greenstein .....	D19/92 X
D. 158,444	5/1950	Converse .	
D. 159,884	8/1950	Baldanza .....	D19/92
D. 188,832	9/1960	Stabell .	
D. 199,217	9/1964	Bunn et al. ....	D19/92
D. 201,732	7/1965	Bunn et al. ....	D19/92
D. 212,264	9/1968	Rome et al. ....	D19/92
D. 245,170	7/1977	Evenson .	
D. 251,254	3/1979	Tiedemann .....	D19/92 X
D. 259,428	6/1981	Macowski .....	D19/92
D. 261,904	11/1981	Polhemus .	
D. 274,066	5/1984	Evenson .	
D. 274,067	5/1984	Evenson .	
D. 289,061	3/1987	Klodt .	
D. 294,601	3/1988	Klodt .	
D. 295,638	5/1988	Evenson .	
D. 302,177	7/1989	Evenson .	
D. 302,703	8/1989	Foran et al. .	
D. 309,918	8/1990	Evenson .	
D. 317,467	6/1991	Kheng .....	D19/92
1,408,026	2/1922	Ochiltree .	
2,858,016	10/1958	Marano .	
4,074,810	2/1978	Juergens et al. .	
4,768,298	9/1988	Polhemus et al. .	
4,907,703	3/1990	Alger et al. .	

**OTHER PUBLICATIONS**

Pages 4, 6, 8, 12, 20, 22, 24 and 26, McDonald Products

Corporation, 2685 Walden Avenue, Buffalo, N.Y. 14225 Publication date unknown.

Sell Sheet, Tenex Corporation, 185 E. Estes Avenue, Elk Grove Village, Ill. 60007-5471 Publication date unknown.

Page 24, Park Sherman, a division of Ketcham & McDougall Inc., 465 Eagle Road Avenue, Roseland, N.J. 07068 Publication date 1985.

Catalog Page, Park Sherman, a division of Ketcham & McDougall Inc., 465 Eagle Rock Avenue, Roseland, N.J. 07068 Publication date unknown.

Pages 3, 4, 11, 15, 23, 24, 25 and 28, Eldon Office Products, P.O. Box 22667, Long Beach, CA 90801-5667 Publication date Jan. 1990.

Pages, 4, 5, 6, 7, 8, 9, 10 and 12, Eldon Office Products, P.O. Box 22667, Long Beach, Calif. 90801-5667 Publication date unknown.

Sell Sheet, MicroComputer Accessories Inc., 5405 Jandy Place, P.O. Box 66911, Los Angeles, Calif. 90066-0911 Publication date Apr., 1989.

Catalog Page, Rubbermaid Incorporated, 1147 Akron Road, Wooster, Ohio 44691 Publication date 1987.

Pages 4, 5, 6, 8 and 10, Rubbermaid Commerical Products Inc., 3124 Valley Avenue, Winchester, Va. 22601 Publication date 1986.

Pages 8 and 9, W. T. Rogers, 1401 West Badge Road, P.O. Box 4327, Madison, Wis. 45015 Publication date unknown.

*Primary Examiner*—Donald P. Walsh

*Assistant Examiner*—Martha Thompson

*Attorney, Agent, or Firm*—Richard B. O'Planick

[57] **CLAIM**

The ornamental design for a paper tray, as shown and described.

**DESCRIPTION**

FIG. 1 is a top, left front perspective view of a paper tray showing our new design;

FIG. 2 is a right side elevational view, the left side being a mirror image thereof;

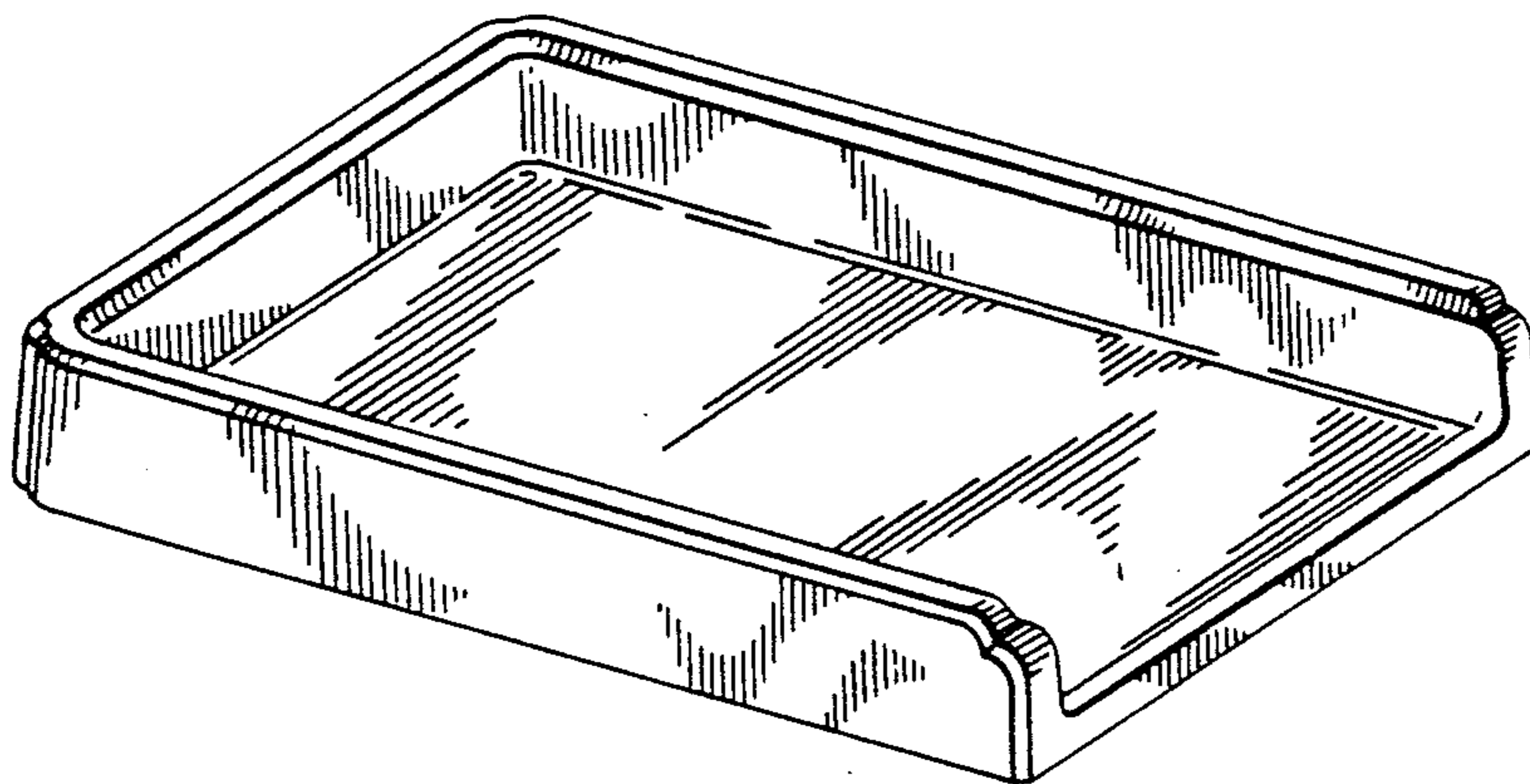
FIG. 3 is a top plan view thereof;

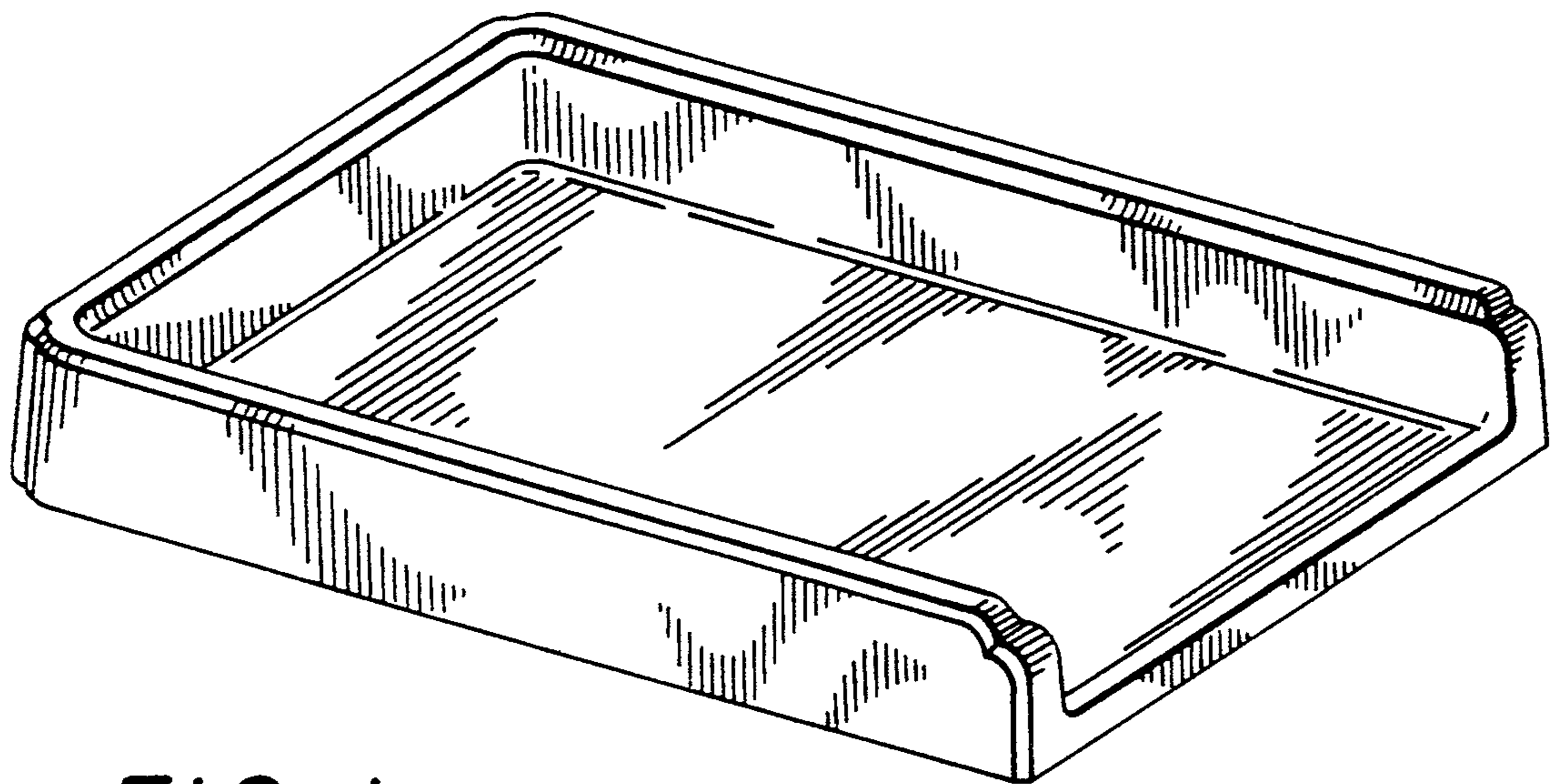
FIG. 4 is a front elevational view thereof;

FIG. 5 is a bottom plan view thereof; and,

FIG. 6 is a rear elevational view thereof.

The FIG. 1 view has been drawn to a reduced scale with respect to FIGS. 2 through 6.

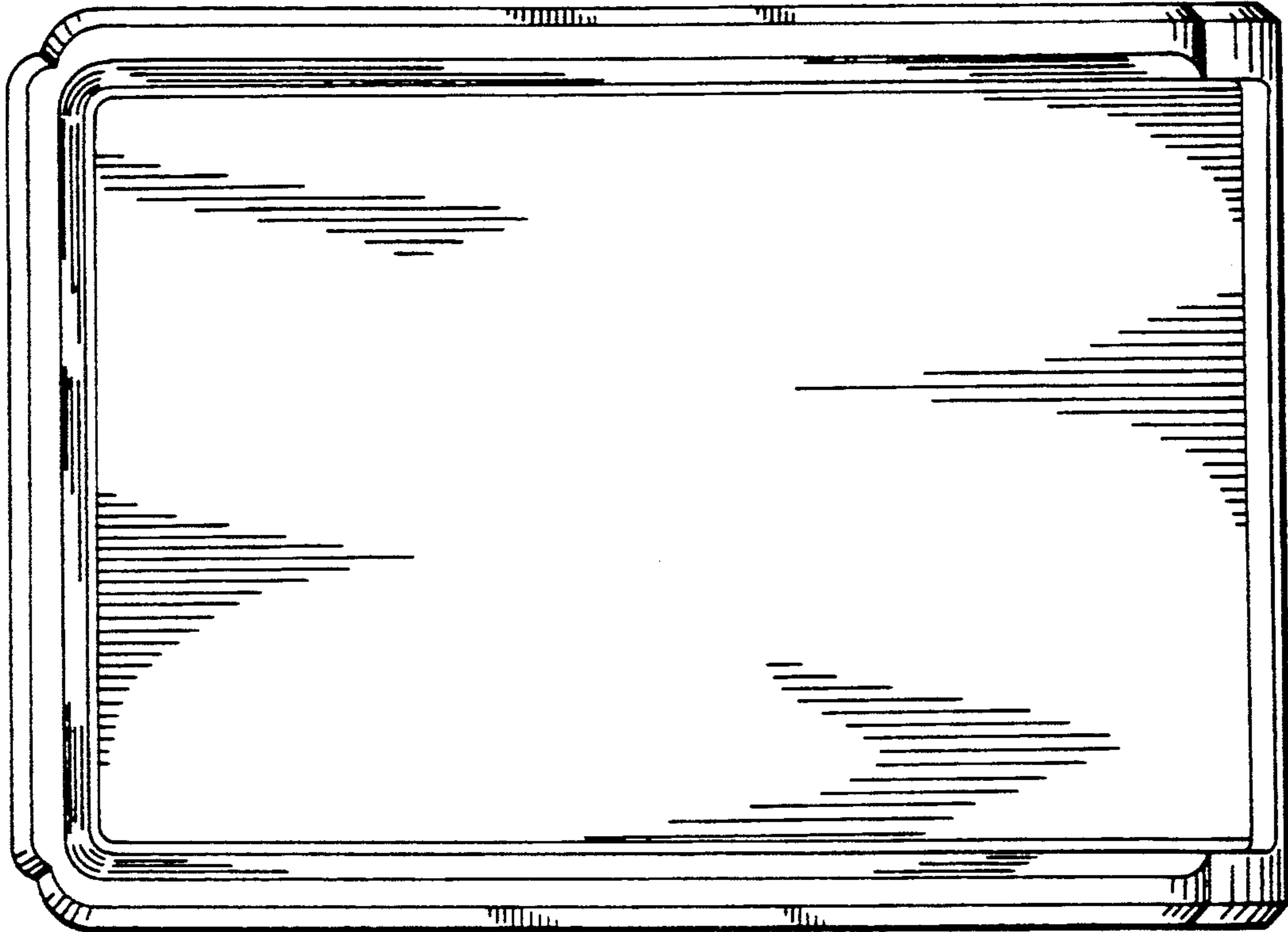




*FIG. 1*



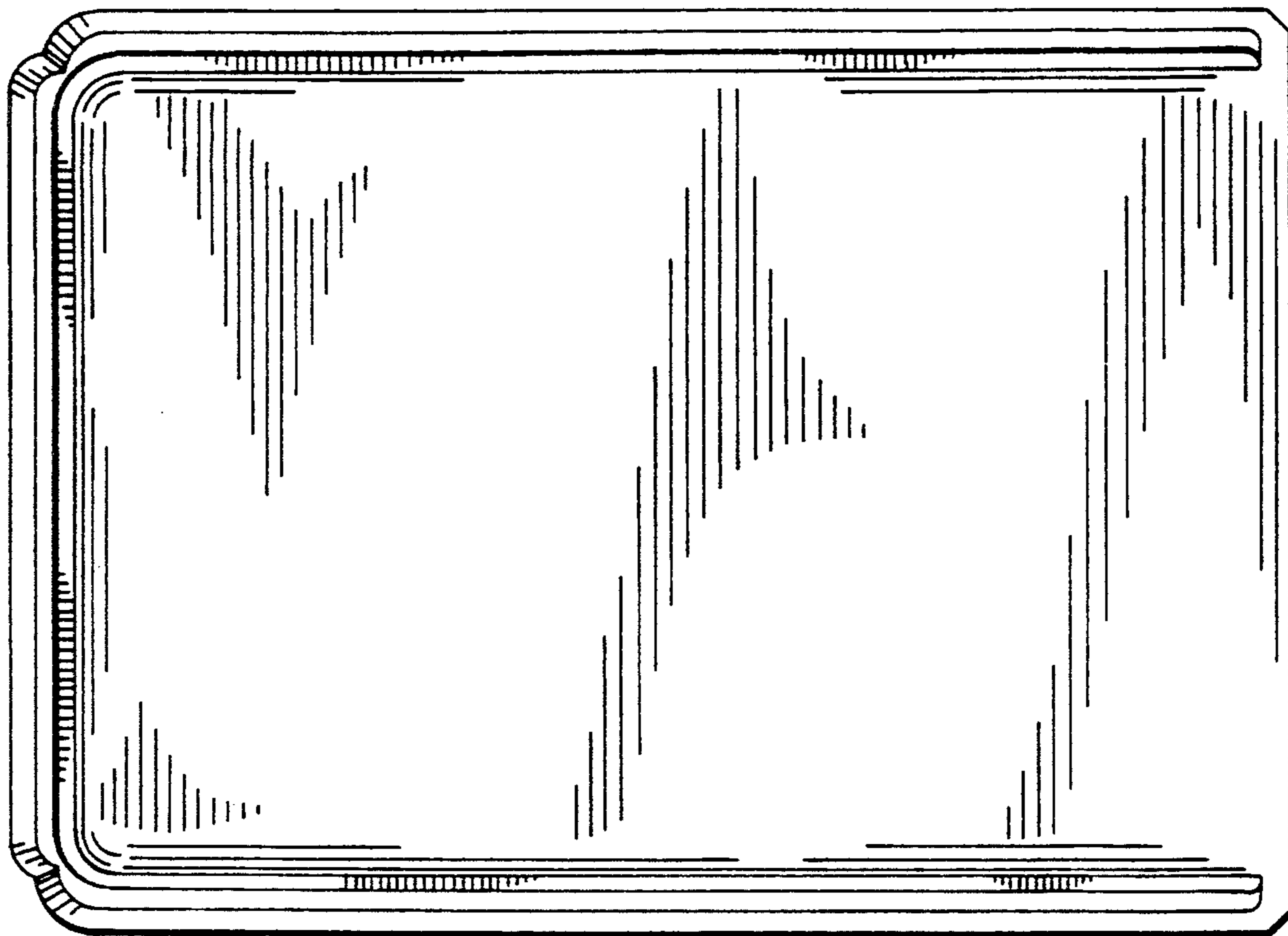
*FIG. 2*



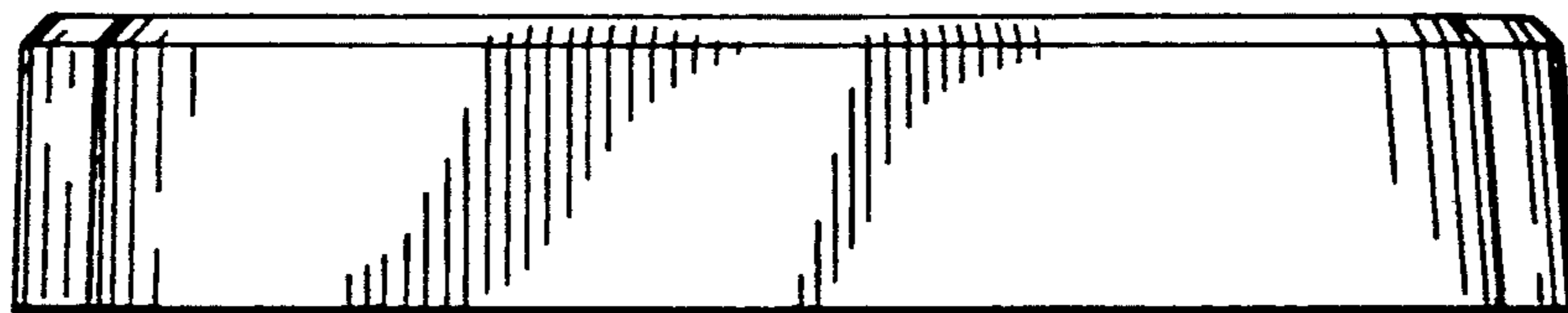
*FIG. 3*



*FIG. 4*



*FIG. 5*



*FIG. 6*