



US00D327502S

United States Patent [19]

Maloney

[11] Patent Number: **Des. 327,502**

[45] Date of Patent: **** Jun. 30, 1992**

- [54] **ADJUSTABLE COPY HOLDER FOR ATTACHMENT TO A COMPUTER MONITOR**
- [75] Inventor: **Kevin Maloney, Troy, Ohio**
- [73] Assignee: **Rubbermaid Incorporated, Wooster, Ohio**
- [**] Term: **14 Years**
- [21] Appl. No.: **584,877**
- [22] Filed: **Sep. 19, 1990**
- [52] U.S. Cl. **D19/88; D14/114; D19/86; D19/90; D19/91**
- [58] Field of Search **D14/114; D19/65, 75, D19/86, 88, 90, 91, 99, 100; D8/373, 395; 312/233; 248/441.1, 442.2, 444, 447, 447.2, 459; 24/67.3, 67 R. 459, 530**

4,934,648 6/1990 Yueh 248/442.2

OTHER PUBLICATIONS

Sell Sheet. Advanced Gravis Computer Technology Ltd., street address unknown, Burnaby, B.C. Canada V5J 4M5. Publication date unknown.
 Sell Sheet, Charles Leonard, Inc., 79-11 Cooper Ave., Glendale, N.Y. 11385. Publication date unknown.
 Page 3A. Misco. One Misco Plaza, Holmdel, N.J. 07733. Publication date unknown.

Primary Examiner—Donald P. Walsh
Assistant Examiner—Martha Thompson
Attorney, Agent, or Firm—Richard B. O'Planick

[57] CLAIM

The ornamental design for a adjustable copy holder for attachment to a computer monitor, as shown and described.

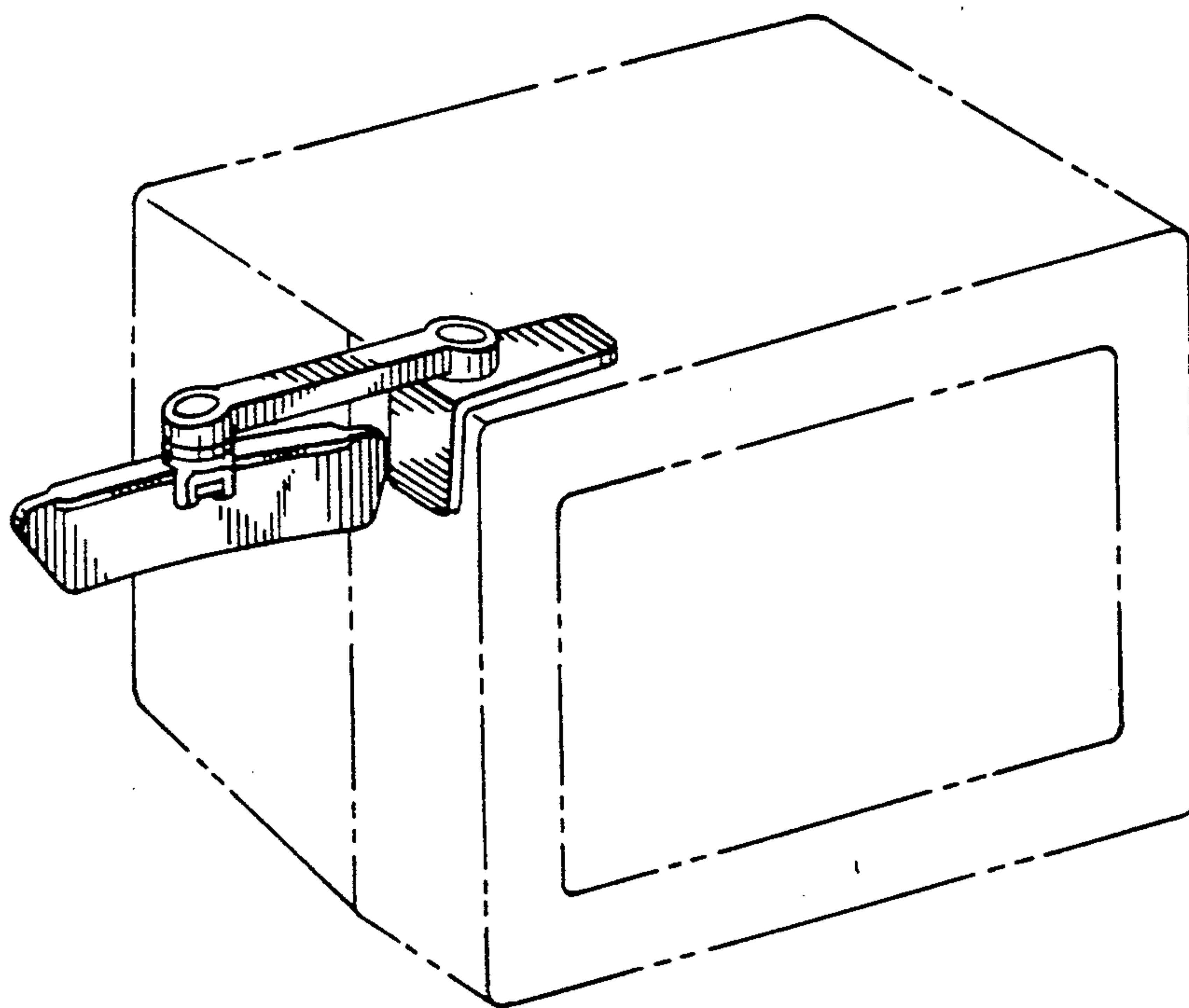
[56] References Cited

U.S. PATENT DOCUMENTS

D. 301.044	5/1989	Judd	D19/88
D. 302.443	7/1989	Jones	D19/88 X
D. 309.607	7/1990	Nemeth	D19/88 X
D. 310.323	9/1990	Kiyokane	D8/395
D. 310.624	9/1990	Gradecki et al.	D8/373 X
D. 318.297	7/1991	Chu	D19/88
D. 324.073	2/1992	Pinkos et al.	D19/88 X
1,221,369	4/1917	Osborn	.	
4,023,763	5/1977	Pulley	.	
4,619,429	10/1986	Mazza	.	
4,632,471	12/1986	Visnapuu	.	
4,693,443	9/1987	Drain	.	
4,747,572	5/1988	Weber	.	
4,767,093	8/1988	Jones	.	
4,902,078	2/1990	Judd	.	

DESCRIPTION

FIG. 1 is a top, left front perspective view of an adjustable copy holder for attachment to a computer monitor showing my new design, the computer monitor being depicted by means of broken lines for illustrative purposes only and forming no part of the claimed design; FIG. 2 is a front elevational view thereof; FIG. 3 is a rear elevational view thereof; FIG. 4 is a top plan view thereof; FIG. 5 is a bottom plan view thereof; FIG. 6 is a right side elevational view drawn to an enlarged scale; and FIG. 7 is a left side elevational view drawn to the scale of FIG. 6. The FIG. 1 view has been drawn to a reduced scale with respect to FIGS. 2 through 7.



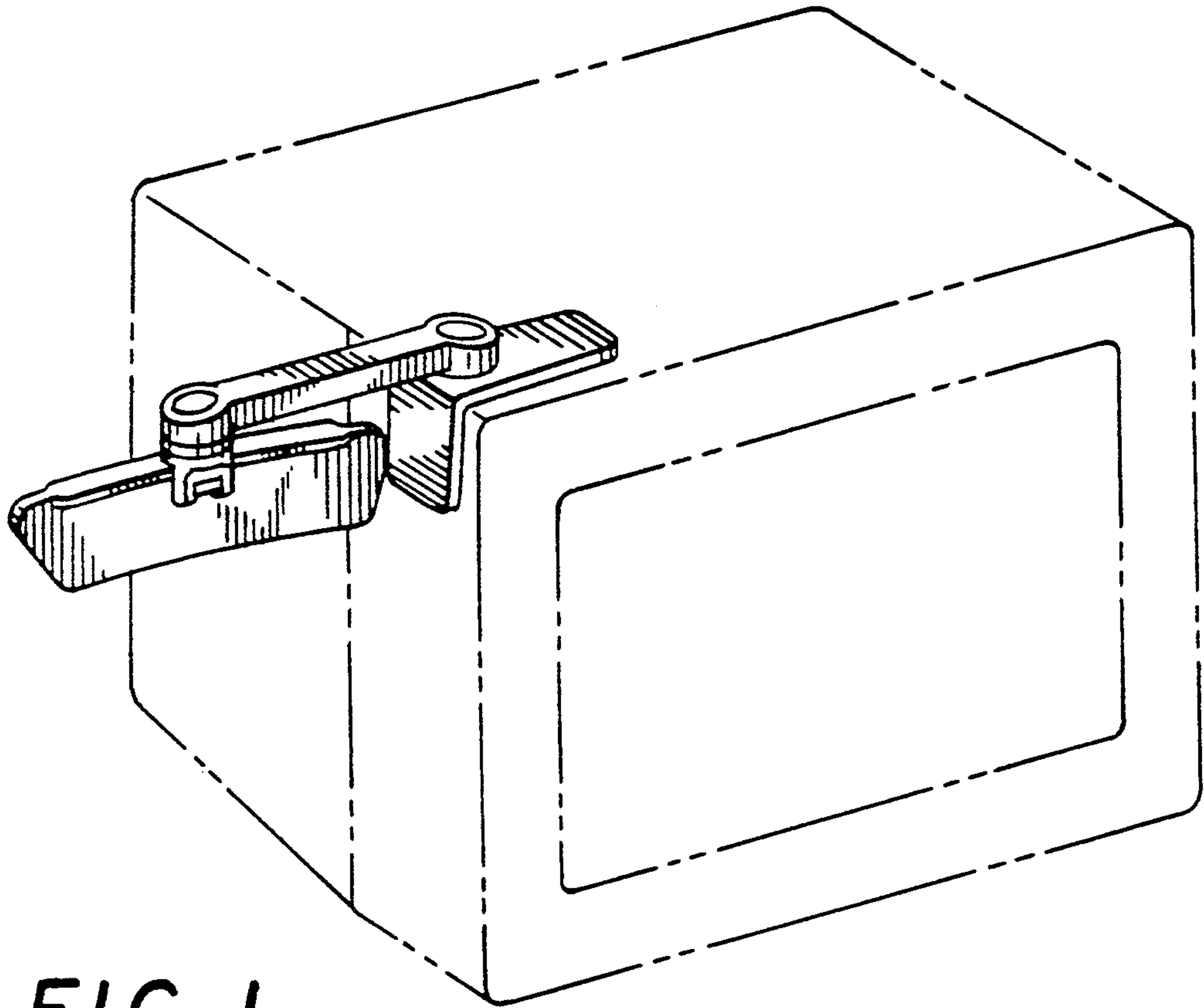


FIG. 1

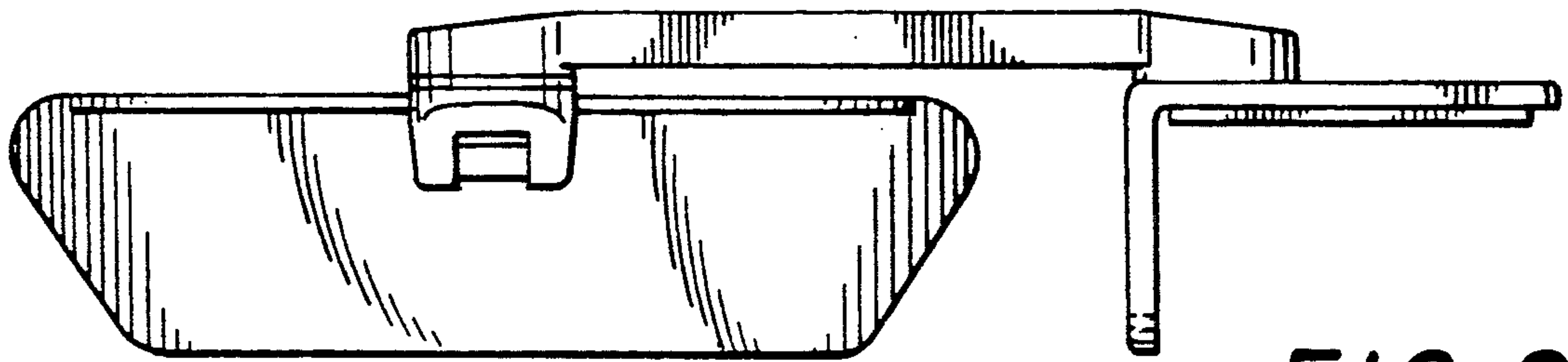


FIG. 2

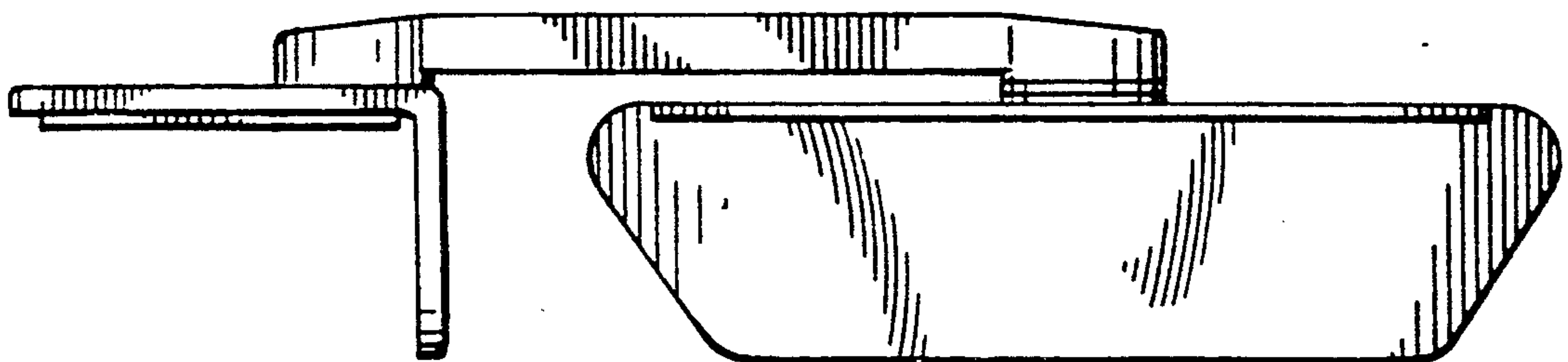


FIG. 3

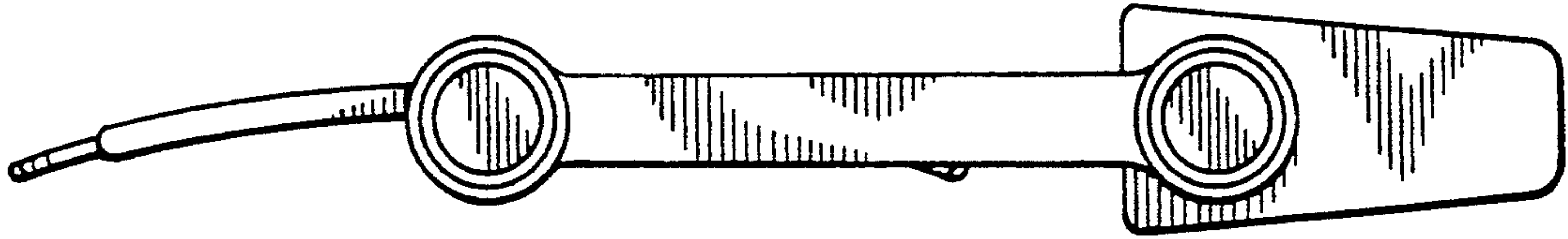


FIG. 4

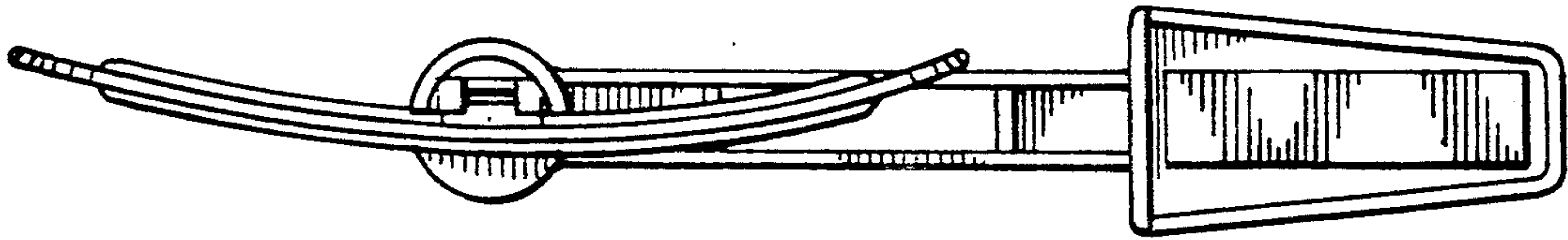


FIG. 5

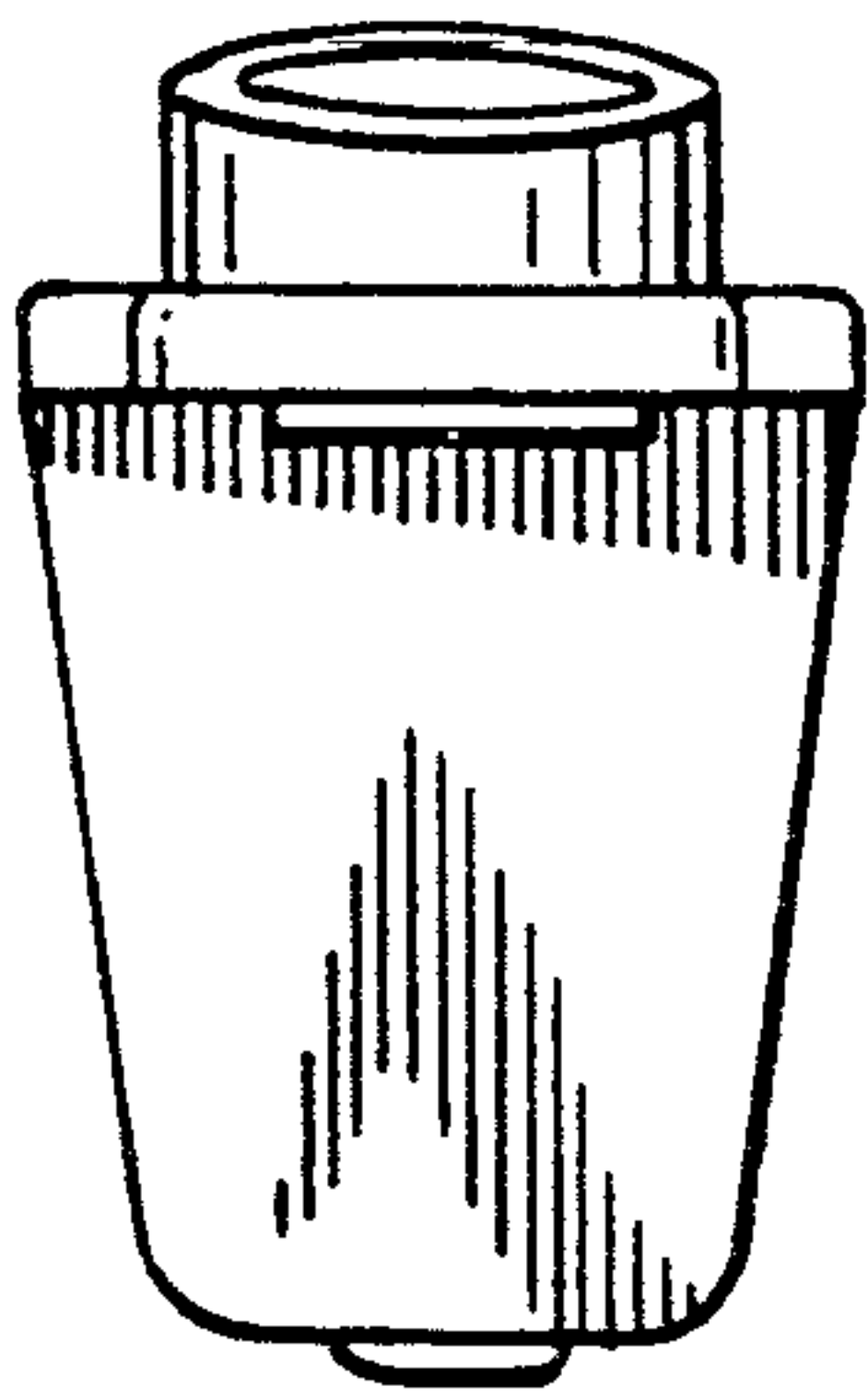


FIG. 6

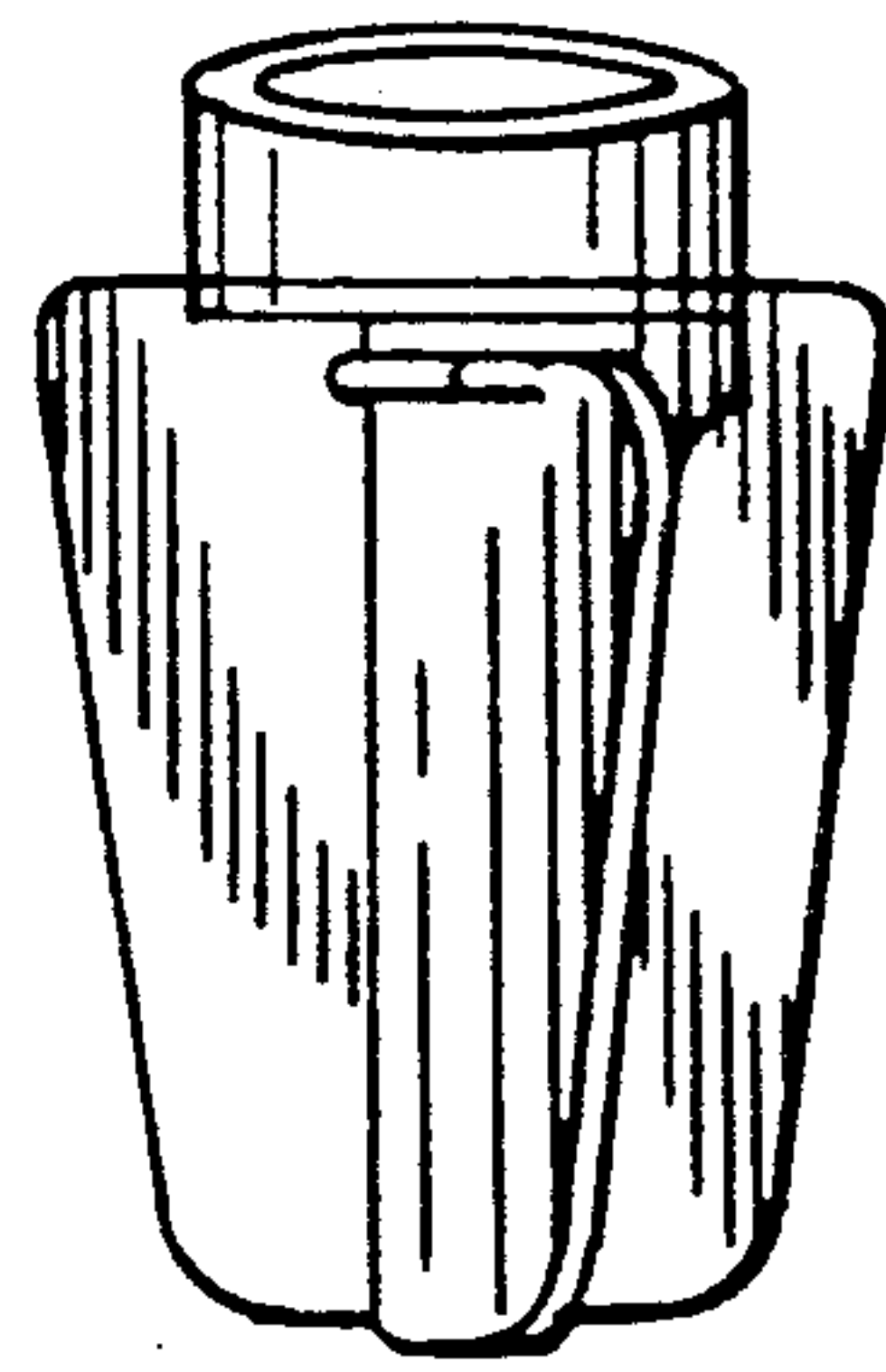


FIG. 7