



US00D327501S

United States Patent [19]

[11] Patent Number: **Des. 327,501**

Maloney

[45] Date of Patent: **** Jun. 30, 1992**

- [54] **ADJUSTABLE COPY HOLDER FOR ATTACHMENT TO A PORTABLE COMPUTER**
- [75] Inventor: **Kevin Maloney, Troy, Ohio**
- [73] Assignee: **Rubbermaid Incorporated, Wooster, Ohio**
- [**] Term: **14 Years**
- [21] Appl. No.: **584,876**
- [22] Filed: **Sep. 19, 1990**
- [52] U.S. Cl. **D19/88; D14/114; D19/86; D19/90; D19/91**
- [58] **Field of Search** **D14/114; D19/65, 75, D19/86, 88, 90, 91, 99, 100; D8/373, 395; 312/233; 248/441.1, 442.2, 444, 447, 459, 447.2; 24/67.3, 67 R, 459, 530**

[56] **References Cited**

U.S. PATENT DOCUMENTS

D. 261,860	11/1981	Dalia	D8/395
D. 301,044	5/1989	Judd	D19/88
D. 302,443	7/1989	Jones	D19/88 X
D. 309,607	7/1990	Nemeth	D19/88 X
D. 318,297	7/1991	Chu	D19/88
D. 324,073	2/1992	Pinkos et al.	D19/88 X
1,221,369	4/1917	Osborn	.	
4,023,763	5/1977	Pulley	.	
4,619,429	10/1986	Mazza	.	
4,632,471	12/1986	Visnapuu	.	
4,693,443	9/1987	Drain	.	
4,747,572	5/1988	Weber	.	
4,767,093	8/1988	Jones	.	
4,902,078	2/1990	Judd	.	
4,934,648	6/1990	Yueh	248/442.2

OTHER PUBLICATIONS

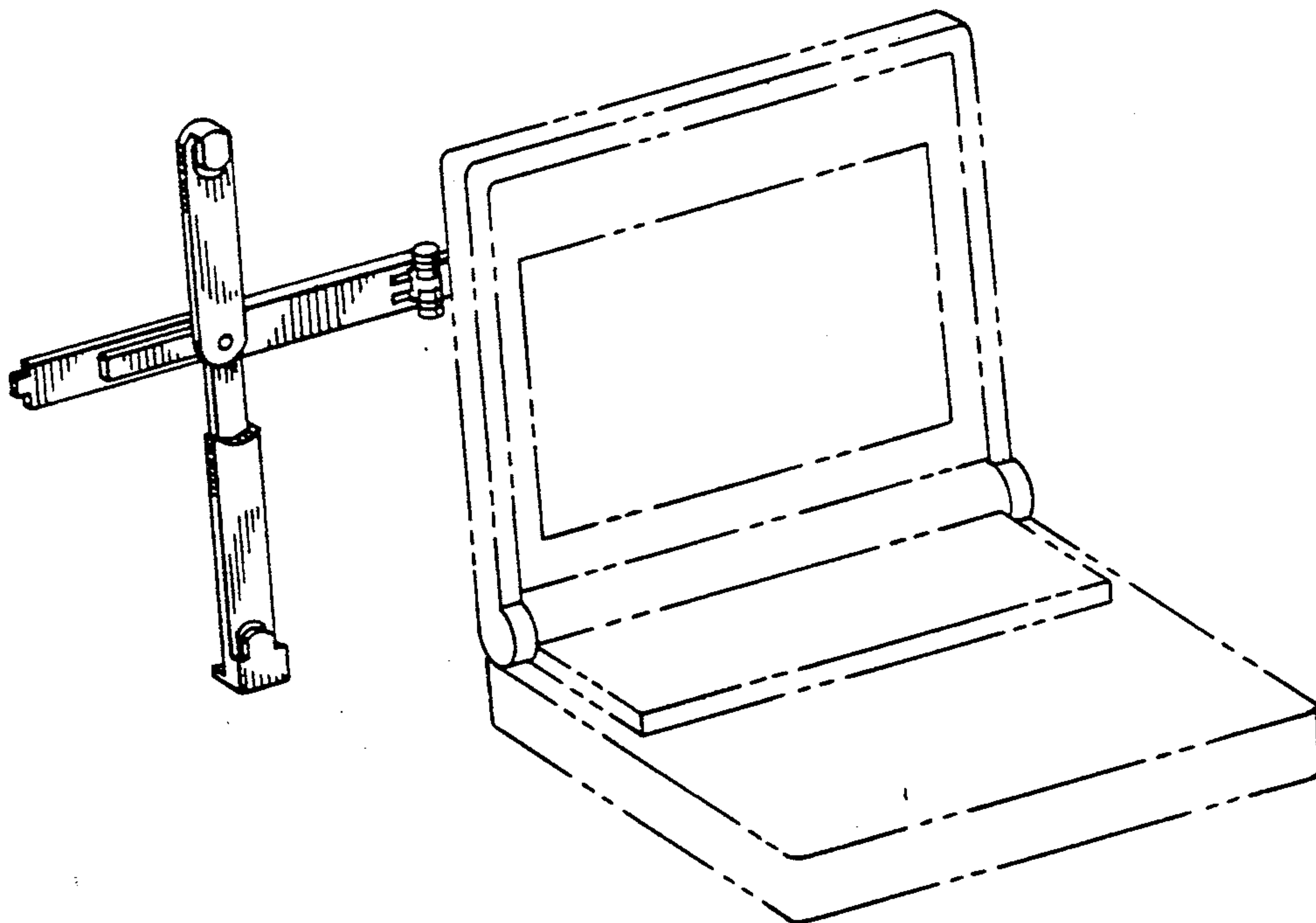
Sell Sheet. Advanced Gravis Computer Technology Ltd., street address unknown, Burnaby, B.C. Canada V5J 4M5. Publication date unknown.
 Sell Sheet, Charles Leonard, Inc., 79-11 Cooper Ave., Glendale, N.Y. 11385. Publication date unknown.
 Page 3A, Misco, One Misco Plaza, Holmdel, N.J. 07733. Publication date unknown.
Primary Examiner—Donald P. Walsh
Assistant Examiner—Martha Thompson
Attorney, Agent, or Firm—Richard B. O'Planick

[57] **CLAIM**

The ornamental design for an adjustable copy holder for attachment to a portable computer, as shown and described.

DESCRIPTION

FIG. 1 is a top, left front perspective view of an adjustable copy holder for attachment to a computer monitor showing my new design in an extended condition; FIG. 2 is a top, right front perspective view in a folded condition; FIG. 3 is a front elevational view in a partially extended condition, drawn to an enlarged scale with respect to FIG. 1; FIG. 4 is a rear elevational view of FIG. 3; FIG. 5 is a top plan view of FIG. 3 drawn to an enlarged scale with respect thereto; and FIG. 6 is a bottom plan view of FIG. 5. The open portable computer in FIG. 1 and the closed portable computer in FIG. 2 have been depicted by means of broken lines for illustrative purposes only and form no part of the claimed design.



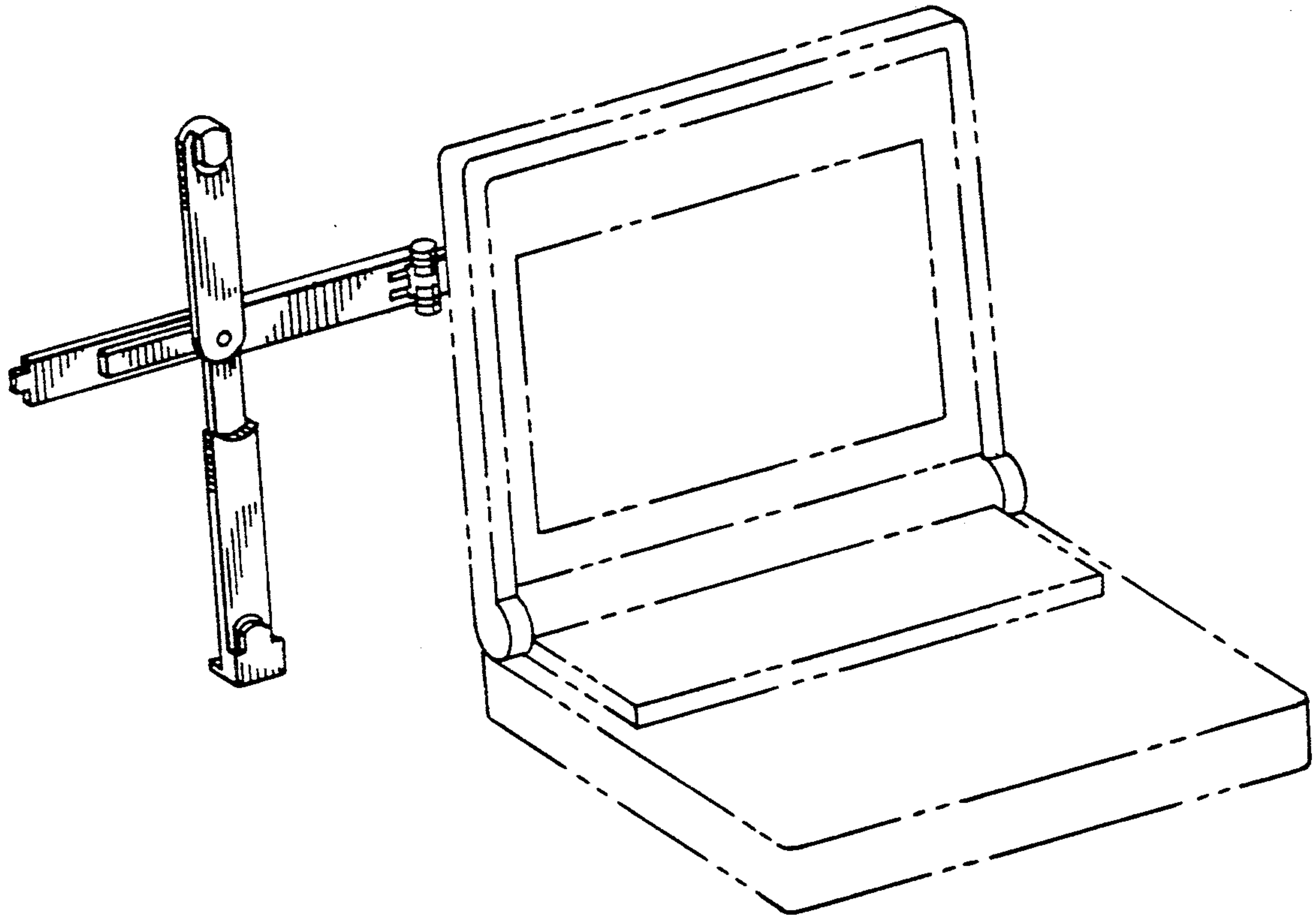


FIG. 1

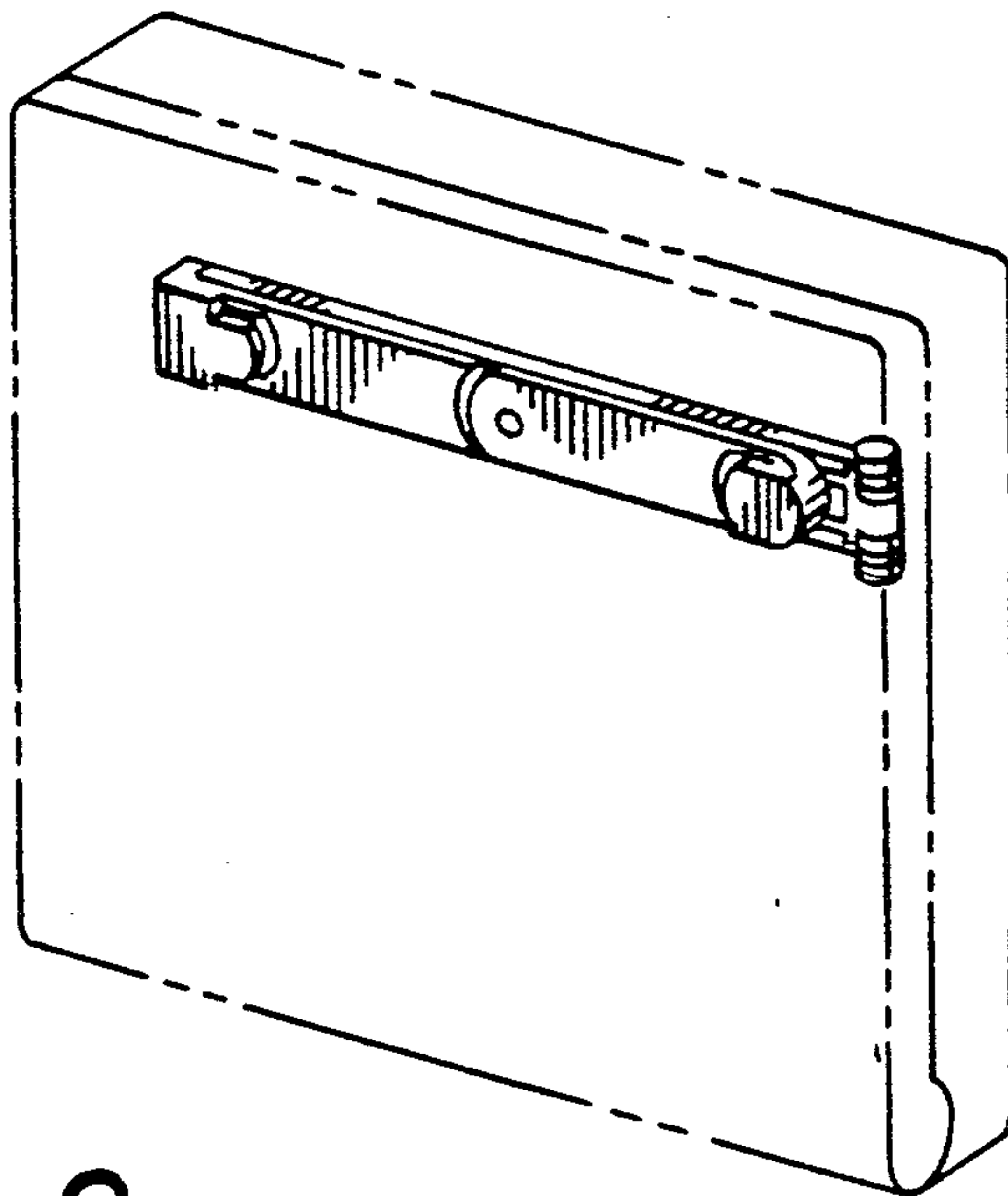


FIG. 2

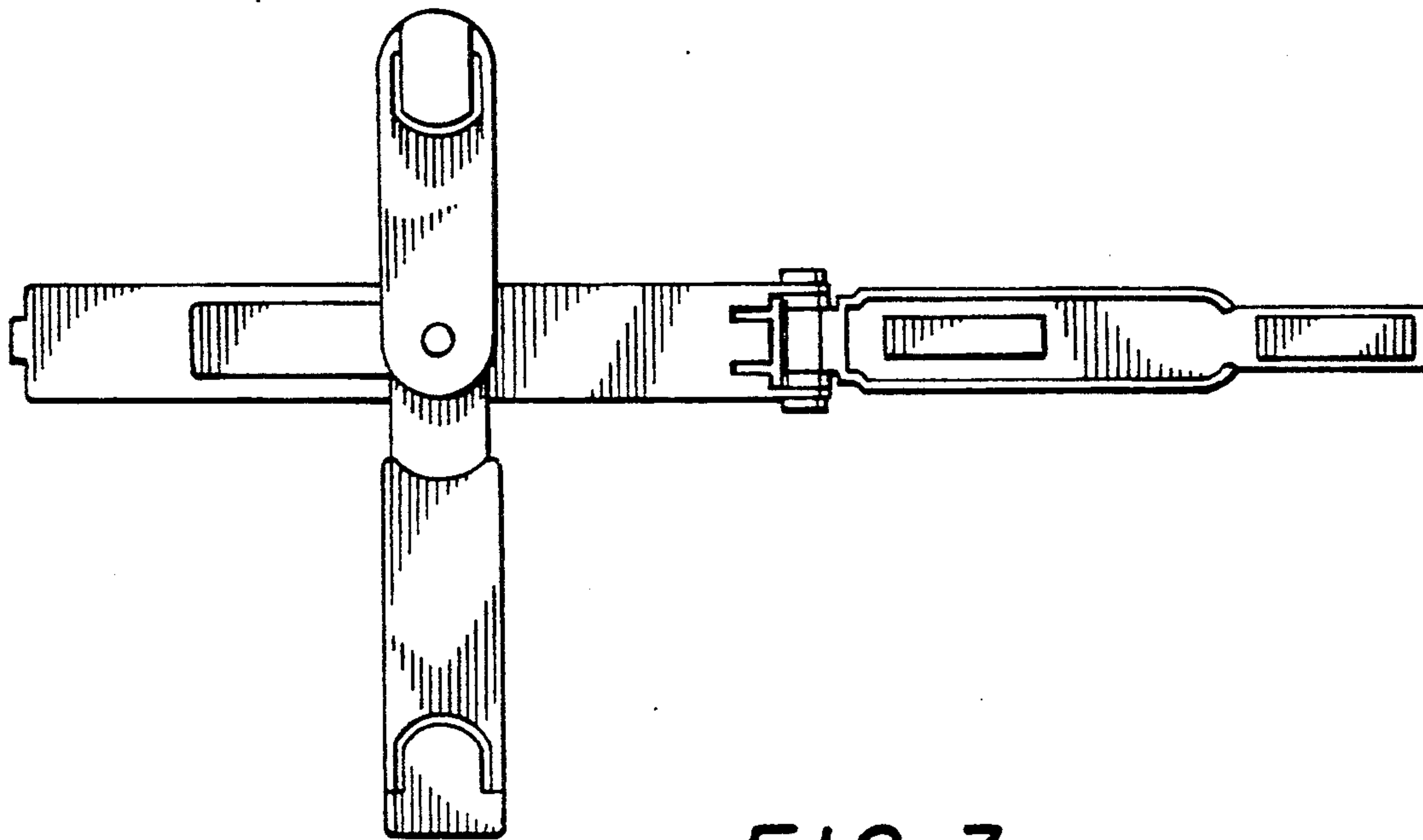


FIG. 3

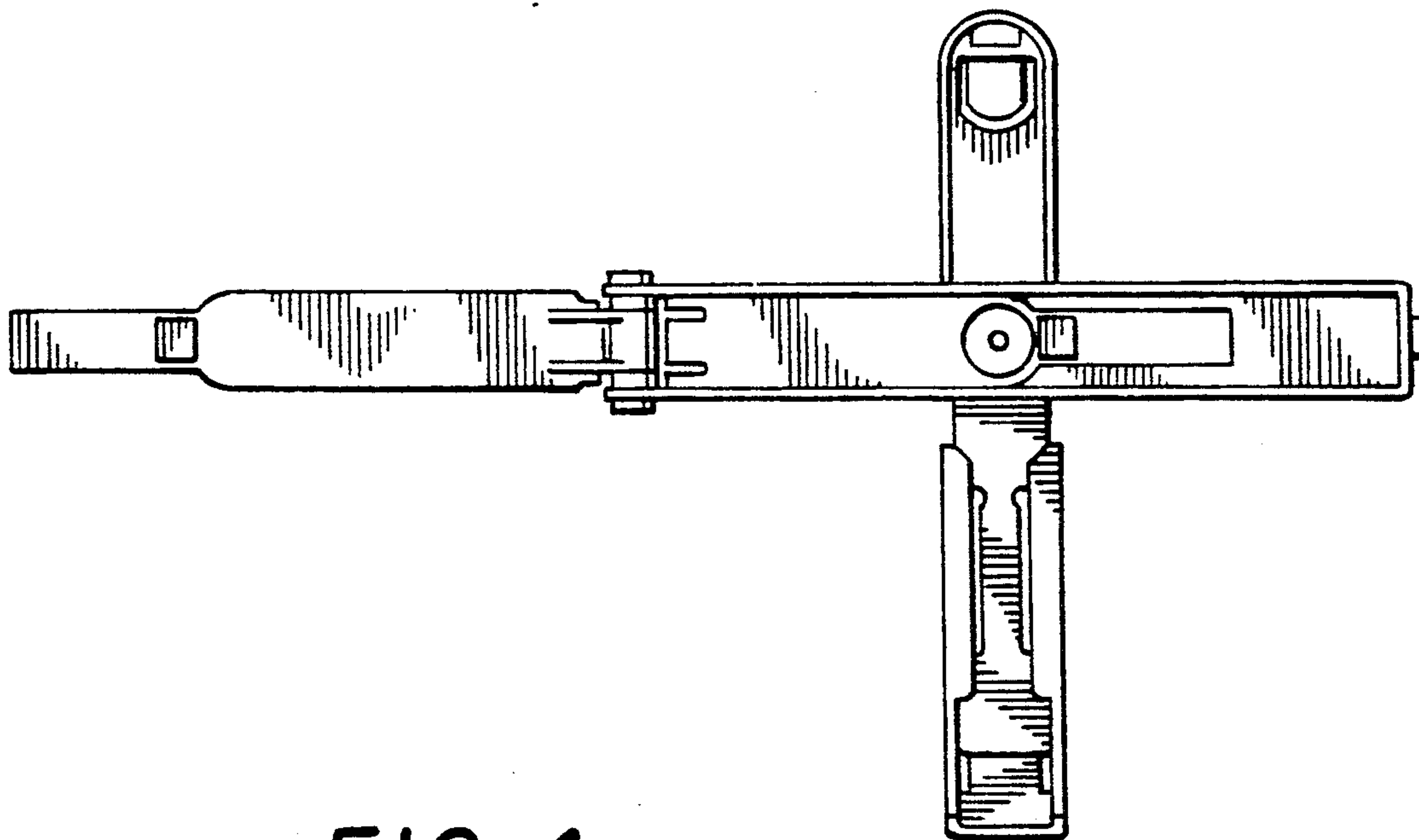


FIG. 4



FIG. 5

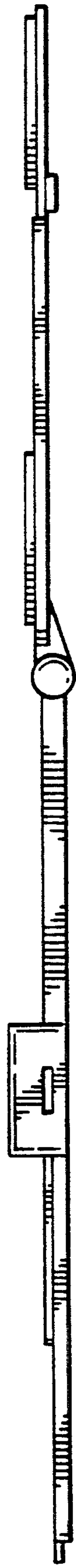


FIG. 6