



US00D327497S

United States Patent [19]

[11] Patent Number: Des. 327,497

Szablak et al.

[45] Date of Patent: ** Jun. 30, 1992

[54] DESK TOP PAD HOLDER

[75] Inventors: Michael J. Szablak, Wooster, Ohio; Glen E. Tomblin, Winchester, Va.

[73] Assignee: Rubbermaid Incorporated, Wooster, Ohio

[**] Term: 14 Years

[21] Appl. No.: 563,551

[22] Filed: Aug. 6, 1990

[52] U.S. Cl. D19/20; D19/86; D19/92; D19/99

[58] Field of Search D7/550; D19/20, 21-25, D19/52, 65, 75, 77, 78, 86, 92, 95, 99, 100; 40/107, 119, 120, 121, 122; 211/10, 11, 126, 128

[56] References Cited

U.S. PATENT DOCUMENTS

- D. 155,888 11/1949 Gordenier .
- D. 161,358 12/1950 Miller .
- D. 170,881 11/1953 Marano .
- D. 184,593 3/1959 Anderson et al. D19/92 X
- D. 192,036 1/1962 Raymond D7/550
- D. 241,834 10/1976 Evenson .
- D. 245,170 7/1977 Evenson .
- D. 251,251 3/1979 Tiedemann D19/20
- D. 251,254 3/1979 Tiedemann D19/92 X
- D. 259,428 6/1981 Macowski D19/92
- D. 274,067 5/1984 Evenson .
- D. 295,638 5/1988 Evenson .
- D. 302,177 7/1989 Evenson .
- D. 303,993 10/1989 Szablak et al. .
- D. 307,036 4/1990 Evenson .
- D. 309,918 8/1990 Evenson D19/92
- D. 310,241 8/1990 Evenson D19/20
- D. 323,188 1/1992 Evenson et al. D19/92 X
- 1,408,026 2/1922 Ochiltree .
- 2,858,016 10/1958 Marano .
- 4,444,319 6/1984 Sharber .
- 4,475,022 10/1984 Polhemus .
- 4,768,298 9/1988 Polhemus et al. .

OTHER PUBLICATIONS

Catalog Page, Park Sherman, a division of Ketcham & McDougall Inc., 465 Eagle Rock Ave., Roseland, N.J. 07068. Publication date 1987-1988. Pages 16, 17, 24 and 25, Park Sherman, a division of

Ketcham & McDougall Inc., 465 Eagle Rock Ave., Roseland, N.J. 07068. Publication date 1985-1986.

Pages 4, 6, 8, 12, 20, 22, 24, 26, 28 and 30, McDonald Products Corp., 2685 Walden Ave., Buffalo, N.Y. 14225. Publication date unknown.

Sell Sheet, Tenex Corporation, 1850 E. Estes Ave., Elk Grove Village, Ill. 60007-5471. Publication date unknown.

Pages 9, 13 and 19, Eldon Office Products, P.O. Box 22667, Long Beach, Calif. 90801-5667. Publication date unknown.

Pages 4, 5, 6, 7, 8, 9 and 15, Eldon Office Products, P.O. Box 22667, Long Beach Calif. 90801-5667. Publication date unknown.

Pages 9 and 25, Eldon Office Products, P.O. Box 22667, Long Beach, Calif. 90801-5667. Publication date unknown.

Catalog Page, Eldon Office Products, P.O. Box 22667, Long Beach, Calif. 90801-5667. Publication date unknown.

Pages 3, 4, 5, 6 and 7, Rubbermaid Commercial Products Inc., 3124 Valley Ave., Winchester, Va. 22601. Publication date 1986.

Catalog Page, Rubbermaid Incorporated, 1147 Akron Road, Wooster, Ohio 44691. Publication date 1987.

Primary Examiner—Donald P. Walsh

Assistant Examiner—Martha Thompson

Attorney, Agent, or Firm—Richard B. O'Planick

[57] CLAIM

The ornamental design for a desk top pad holder, as shown and described.

DESCRIPTION

FIG. 1 is a top, left front perspective view of a desk top pad holder showing our new design;

FIG. 2 is a right side elevational view, the left side being a mirror image thereof;

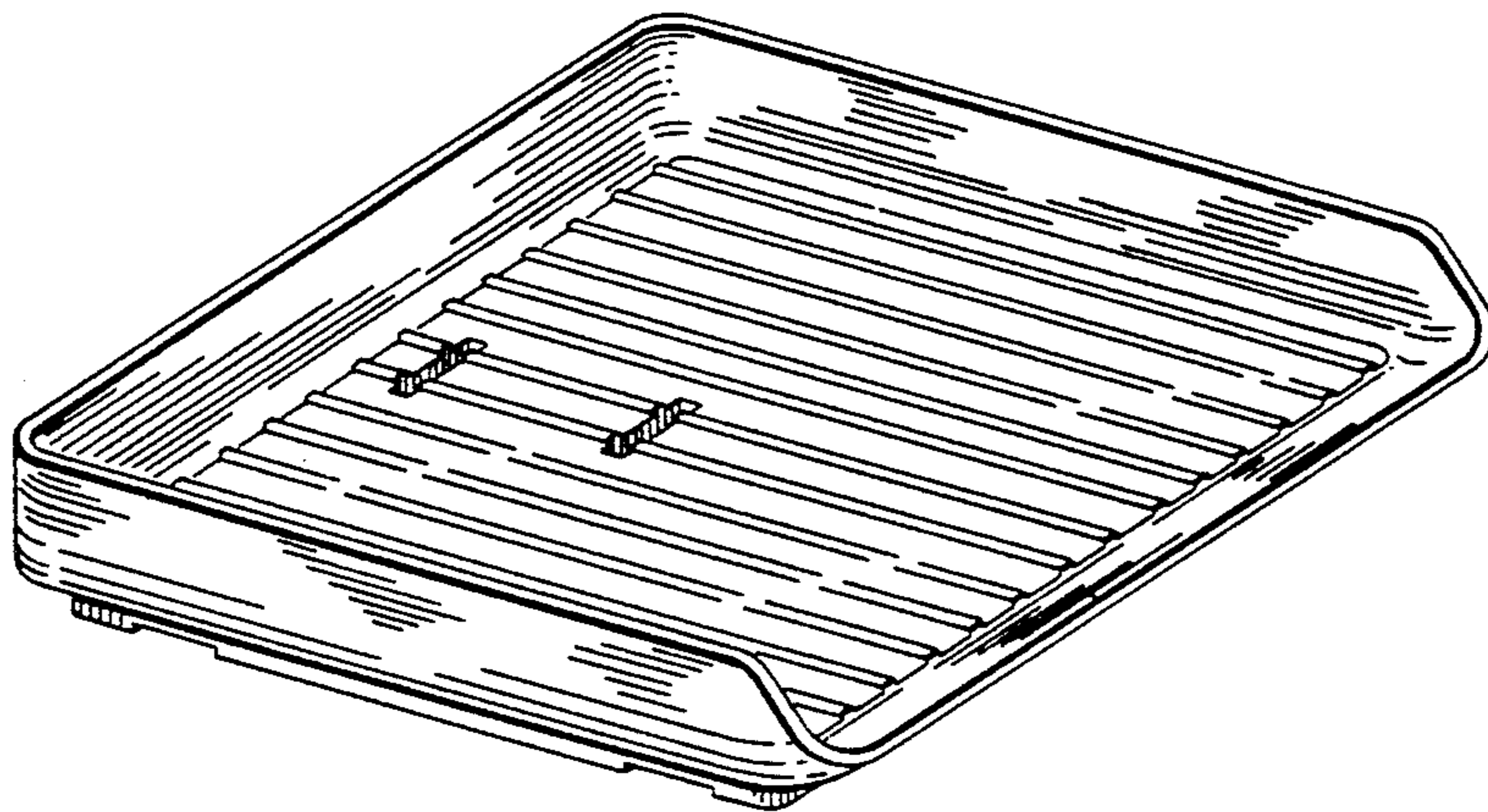
FIG. 3 is a top plan view thereof;

FIG. 4 is a front elevational view thereof;

FIG. 5 is a bottom plan view thereof;

FIG. 6 is a rear elevational view thereof; and,

FIG. 7 is a top, left front perspective view of a second embodiment of our new design.



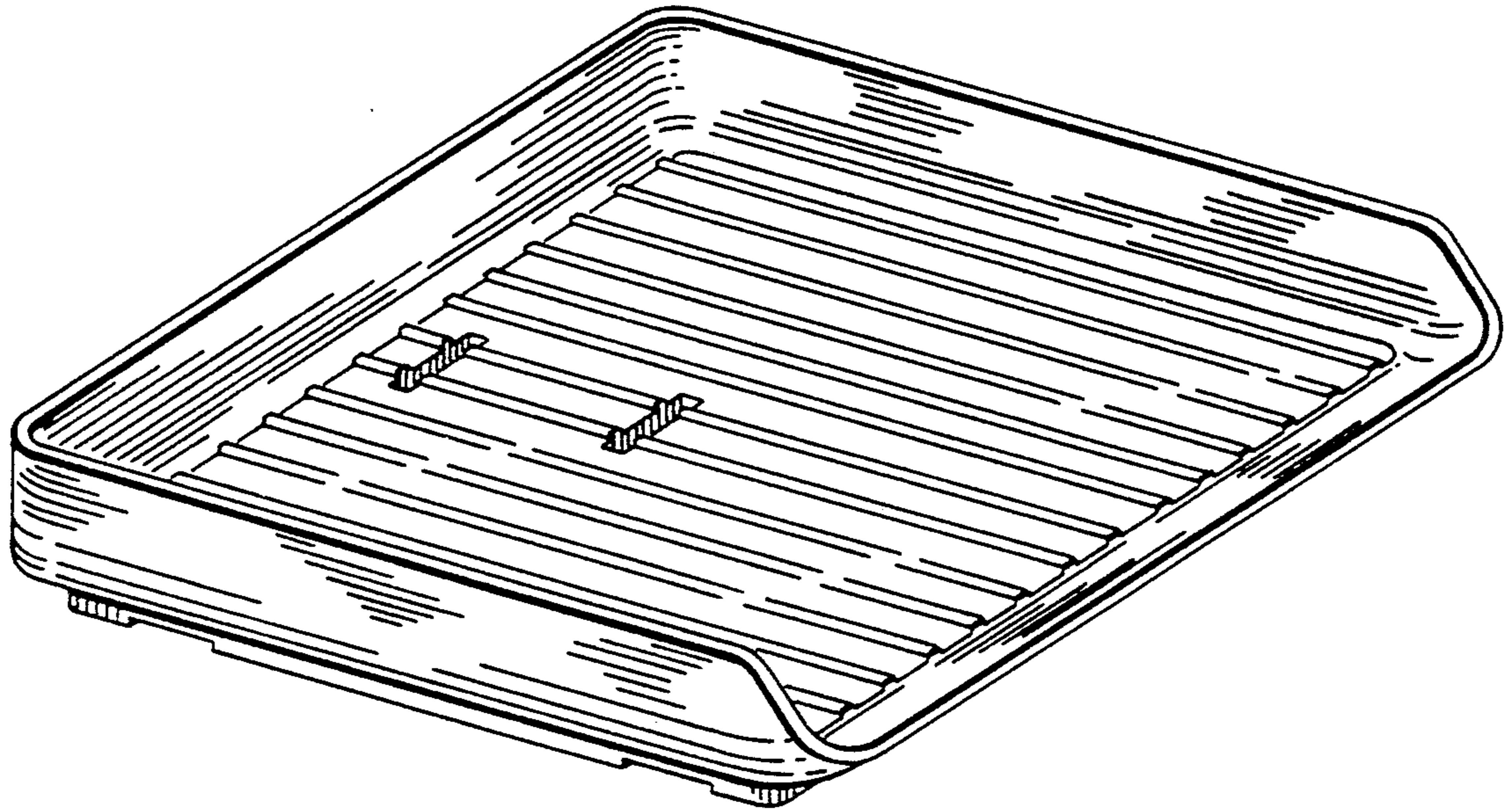


FIG. 1



FIG. 2

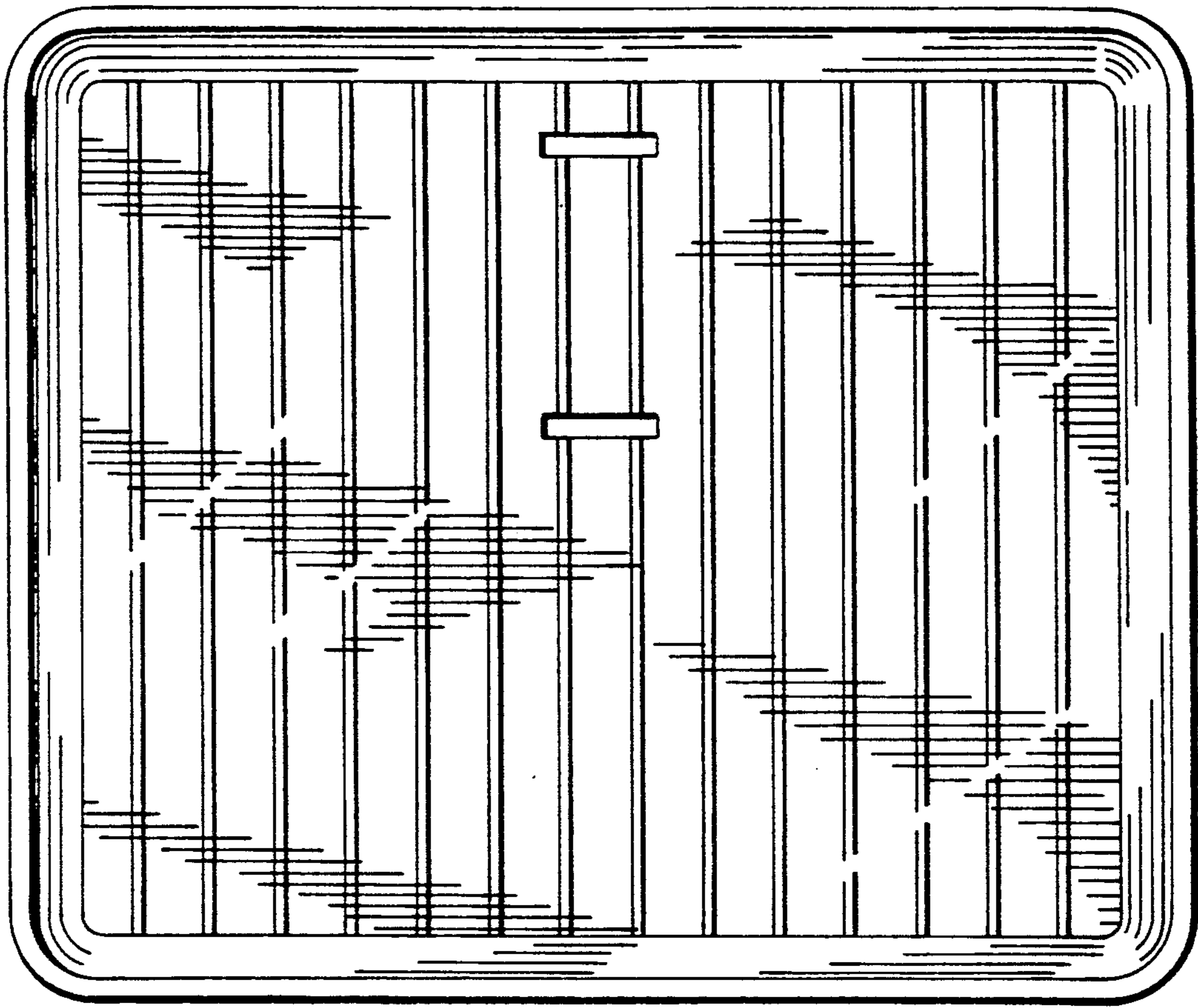


FIG. 3

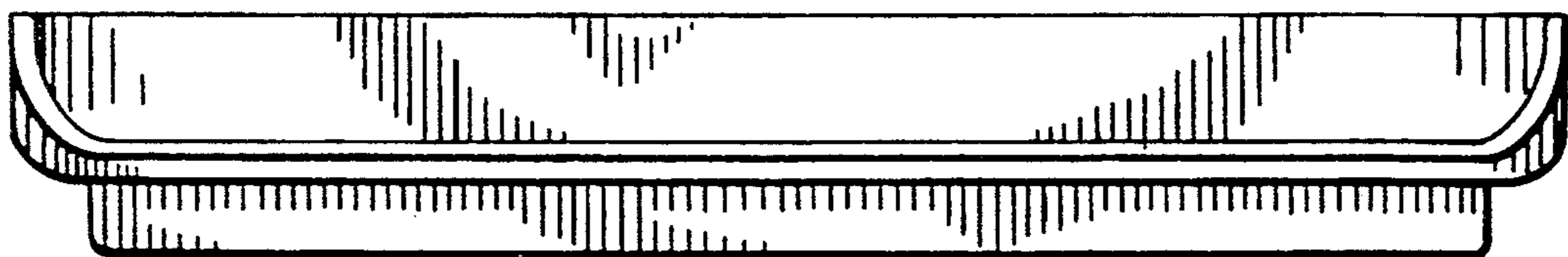


FIG. 4

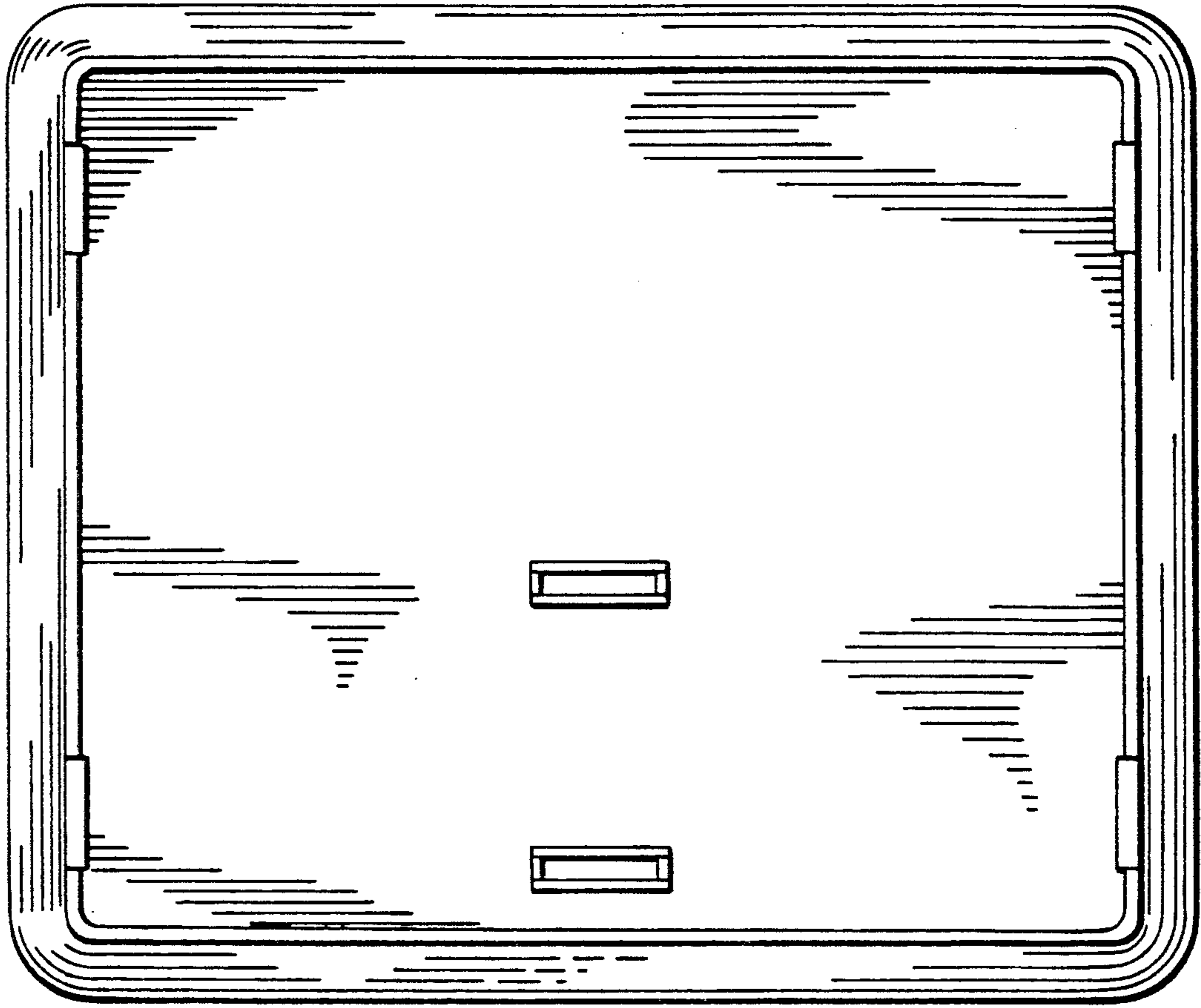


FIG. 5

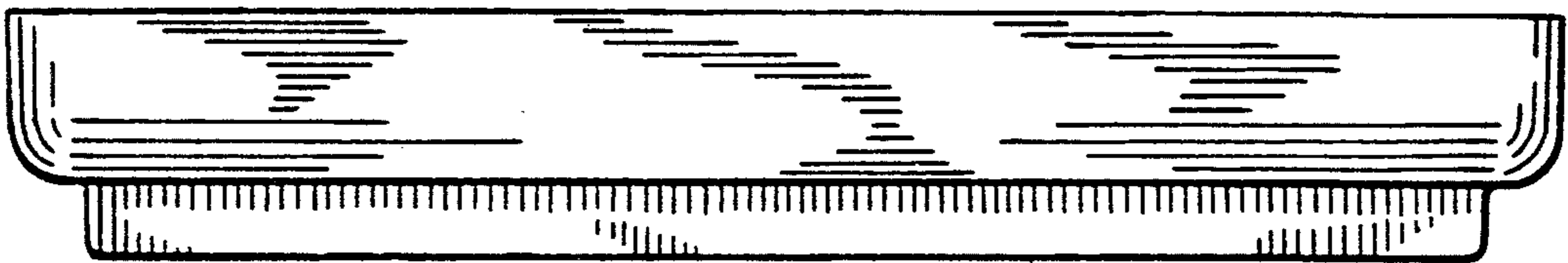


FIG. 6

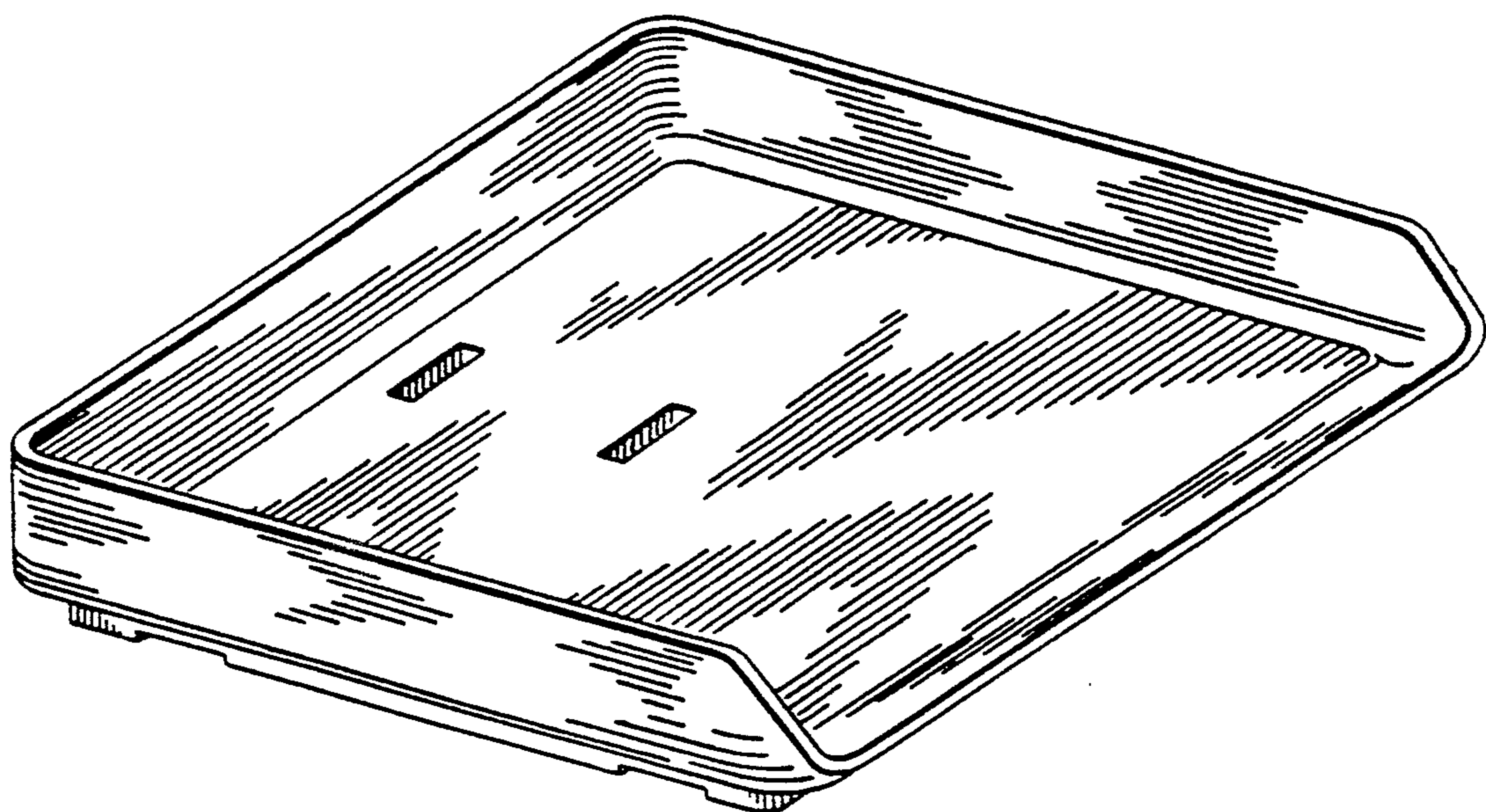


FIG. 7