



US00D327491S

# United States Patent [19]

[11] Patent Number: **Des. 327,491**

Chandler

[45] Date of Patent: **\*\* Jun. 30, 1992**

[54] **COMBINED MAGNIFYING GLASSES AND STORAGE CONTAINER**

D. 313,236 12/1990 Mackay ..... D16/102  
2,537,047 1/1951 Gatten .  
4,155,626 5/1979 Grech .  
4,498,743 2/1985 Feinbloom .

[76] Inventor: **Lo Rene F. Chandler, 3440 N. Rapid Creek Rd., Inkom, Id. 83245-1515.**

### OTHER PUBLICATIONS

[\*\*] Term: **14 Years**

Optician, Jun. 16, 1989, Sunglasses, rear cover, located center of page.

[21] Appl. No.: **436,226**

*Primary Examiner*—Wallace R. Burke

[22] Filed: **Nov. 14, 1989**

*Assistant Examiner*—H. Baynham

[52] U.S. Cl. .... **D16/135**

*Attorney, Agent, or Firm*—Terry M. Gernstein

[58] Field of Search ..... D16/135, 102, 104, 107, D16/111, 112, 114, 116, 121, 125, 127; 351/41, 44-45, 51, 61

### [57] CLAIM

The ornamental design for combined magnifying glasses and storage container, as shown and described.

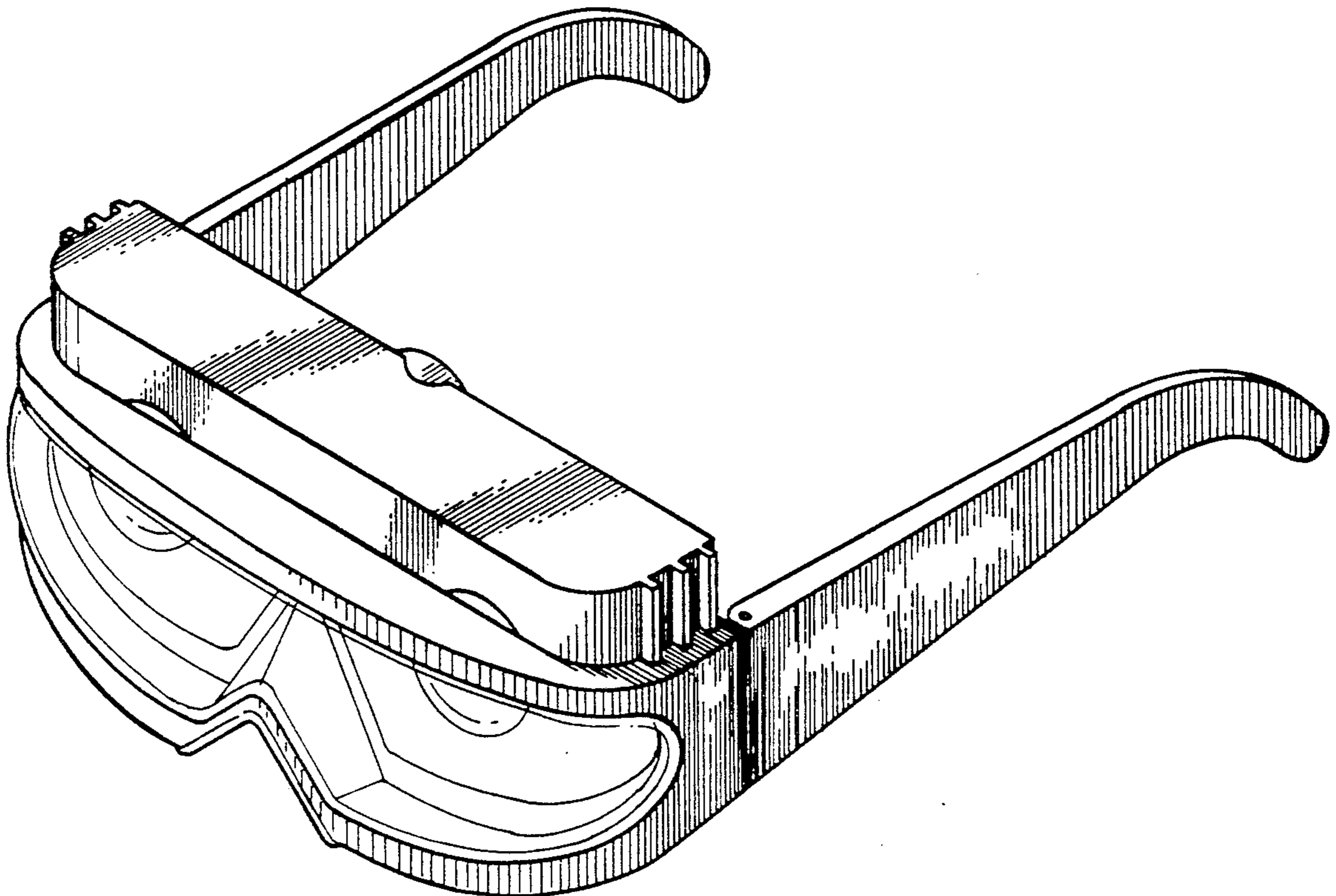
### [56] References Cited

### DESCRIPTION

#### U.S. PATENT DOCUMENTS

D. 145,288	7/1946	Cicco .....	D16/102
D. 199,150	9/1964	Carmichael .....	D16/102
D. 201,050	5/1965	Gleseking .....	D16/208
D. 202,129	8/1965	Marchi .....	D16/102
D. 285,020	8/1986	Schmidthaler .....	D16/111
D. 287,021	12/1986	Johnson .....	D16/208
D. 308,691	6/1990	Myers .....	D16/112 X
D. 308,980	7/1990	McGee .....	D16/112
D. 310,839	9/1990	Bollé .....	D16/102

FIG. 1 is a perspective view of a combined magnifying glasses and storage container showing my design;  
FIG. 2 is a front elevational view thereof with the storage container removed;  
FIG. 3 is a right side elevational view thereof with the opposite side being a mirror image;  
FIG. 4 is a top plan view thereof with the storage container attached; and,  
FIG. 5 is a top plan view thereof.



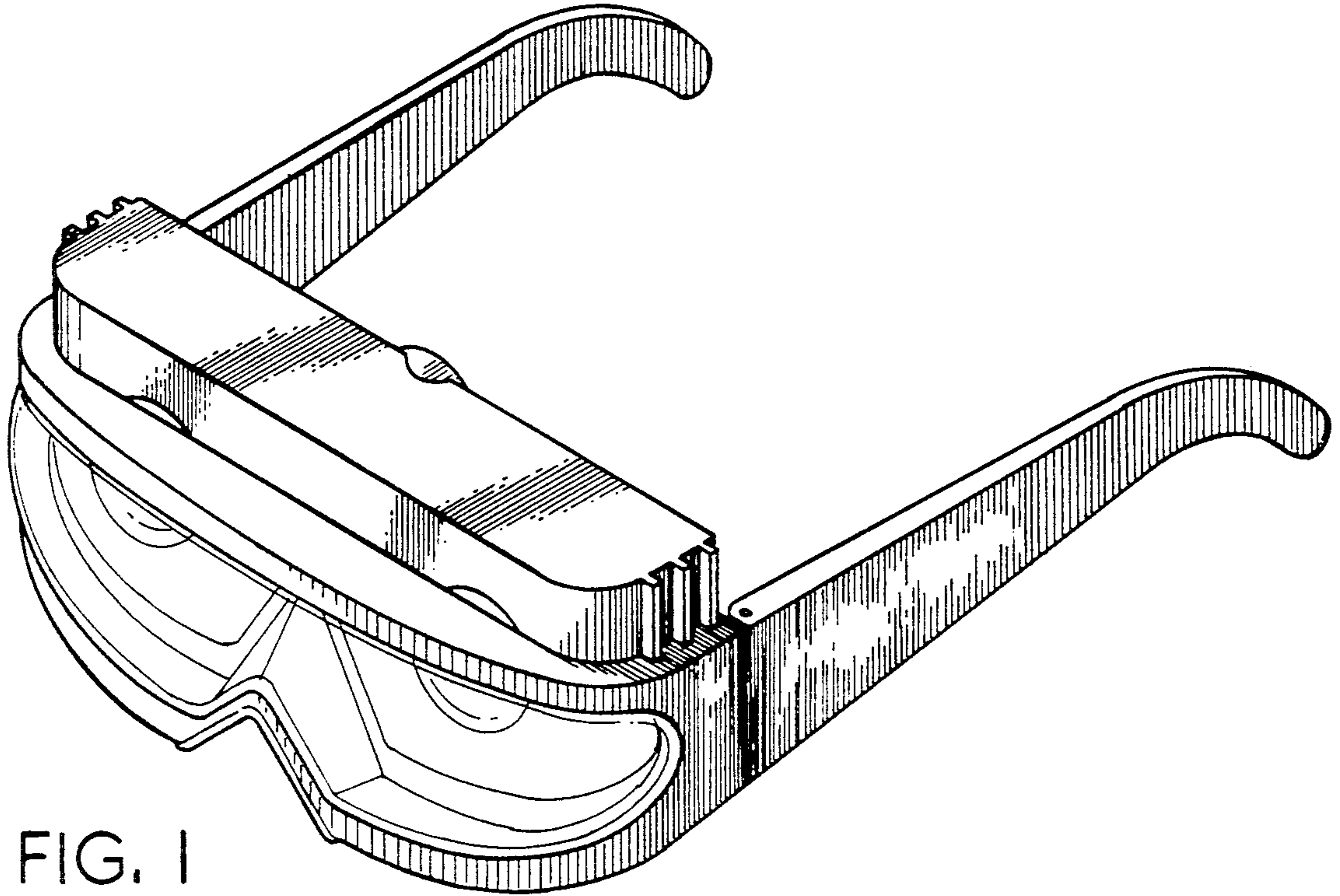


FIG. 1

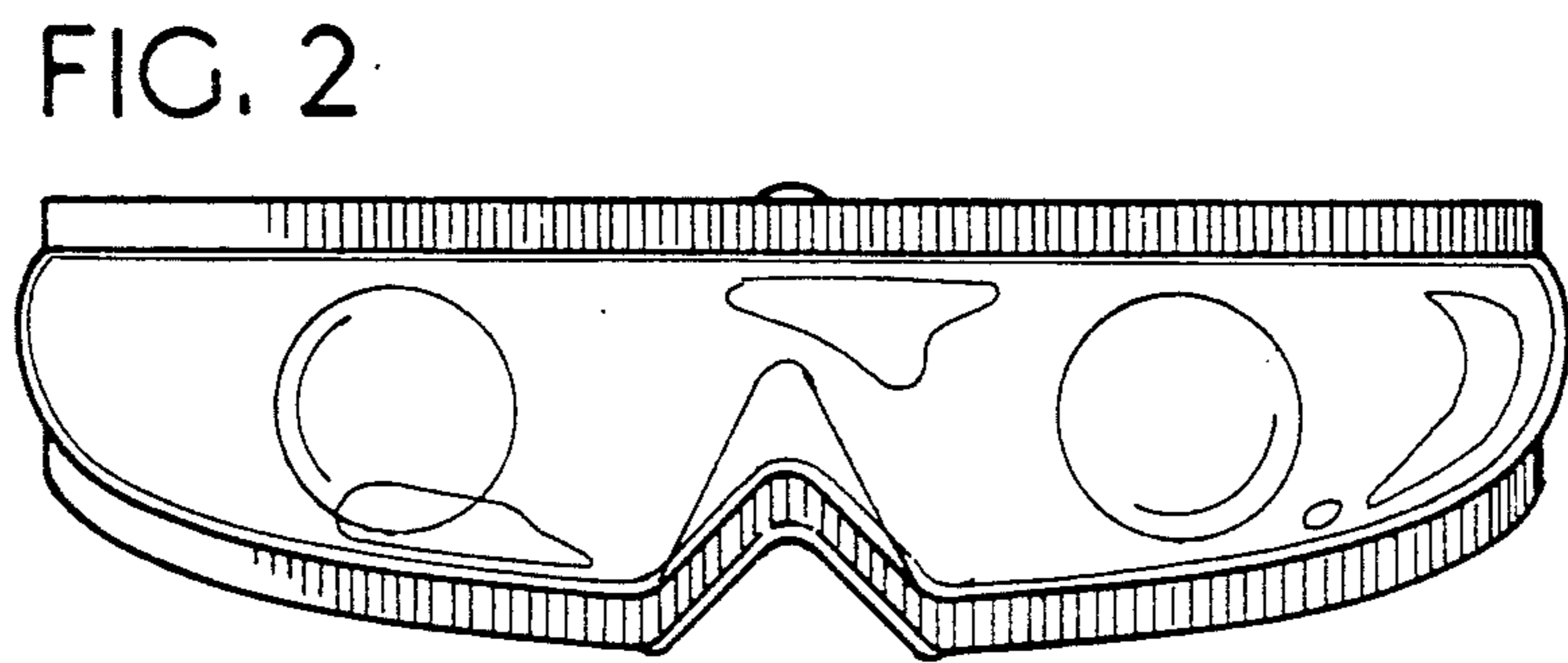


FIG. 2

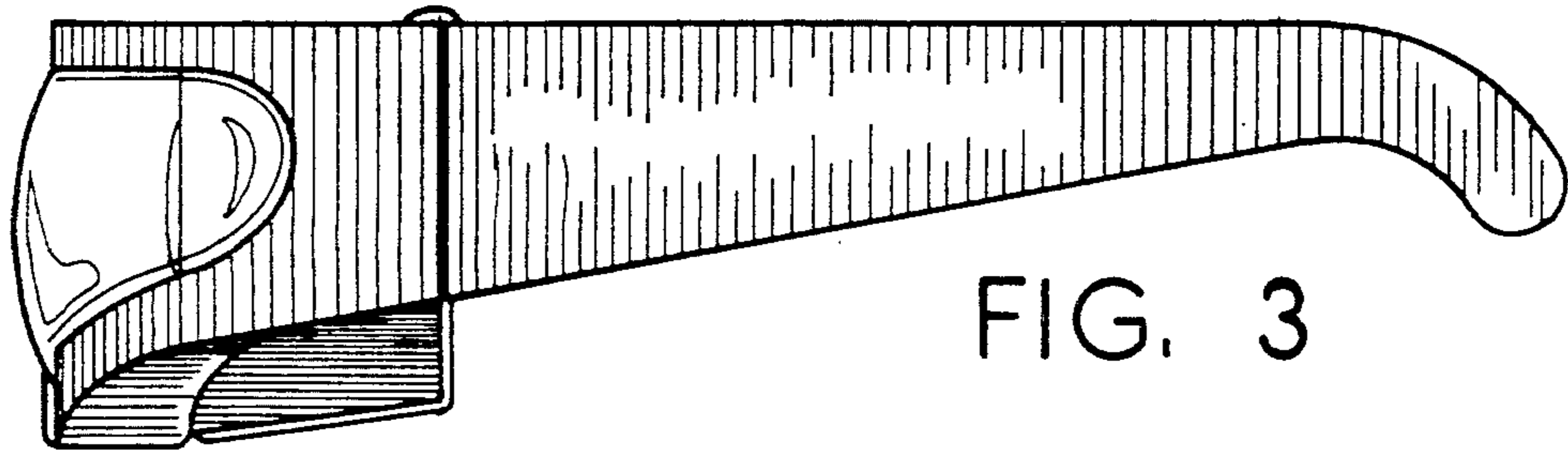


FIG. 3

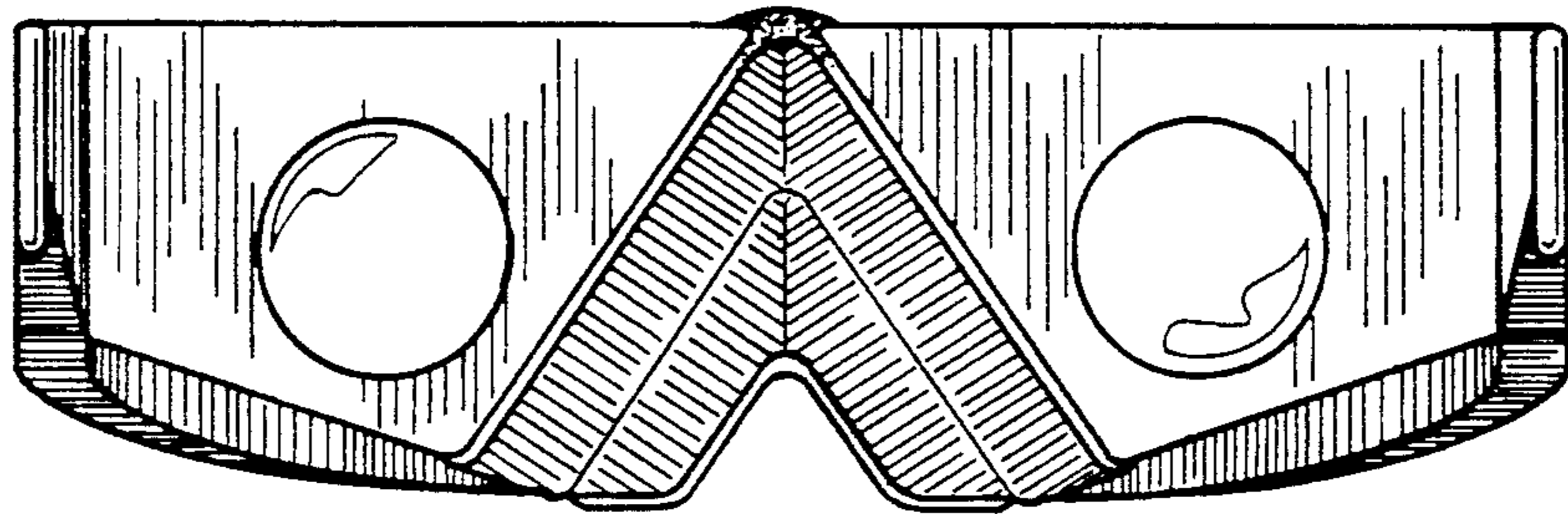


FIG. 4

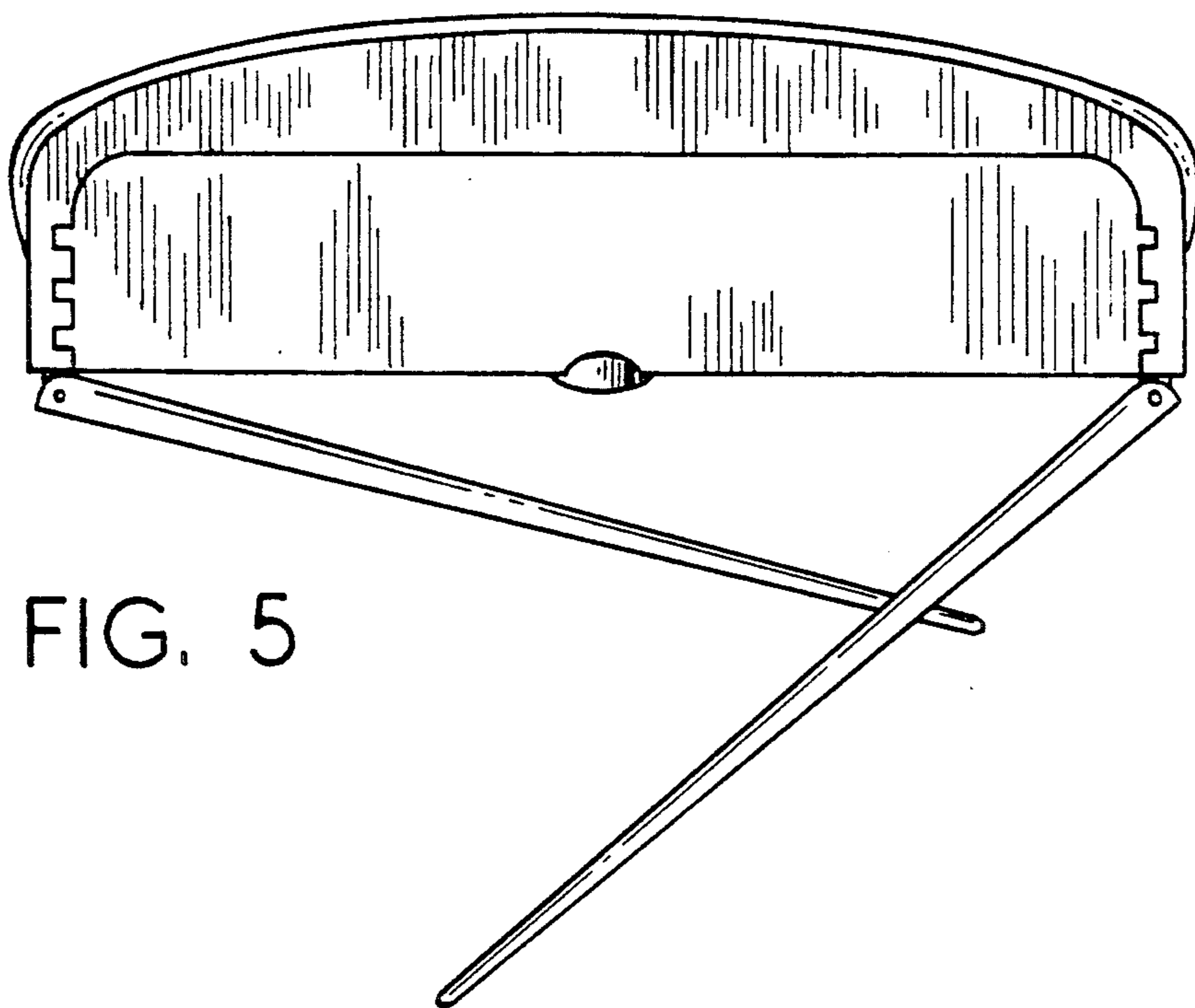


FIG. 5