



US00D327489S

United States Patent [19]

Kaye

[11] Patent Number: **Des. 327,489**

[45] Date of Patent: **** Jun. 30, 1992**

[54] **DOUBLE BINOCULAR SPECTACLES**

[76] Inventor: **Bernard Kaye**, 36 The Avenue,
Radlett, Hertfordshire WD7 7LW,
England

[**] Term: **14 Years**

[21] Appl. No.: **416,125**

[22] Filed: **Oct. 2, 1989**

[30] **Foreign Application Priority Data**

Mar. 31, 1989 [GB] United Kingdom 1058292

[52] U.S. Cl. **D16/102**

[58] Field of Search D16/102, 104, 111, 112,
D16/115, 116, 117, 118, 119, 122, 125, 127, 128;
351/41, 44, 57, 59, 51, 83, 91, 103, 111; 2/426,
427, 431, 438, 439, 448, 449; D21/240

[56] **References Cited**

U.S. PATENT DOCUMENTS

D. 314,001 1/1991 Nussbickl D16/112

2,427,469	9/1947	Morley et al.	2/449
2,459,021	1/1949	Frommer	351/59
3,756,692	9/1973	Scott	2/431
4,179,756	12/1979	Lucas	2/438
4,637,696	1/1987	Wilkins	351/57
4,654,899	4/1987	Harris	2/426

Primary Examiner—Bernard Ansher
Assistant Examiner—R. Barkai
Attorney, Agent, or Firm—Kolisch, Hartwell,
Dickinson, McCormack & Heuser

[57] **CLAIM**

The ornamental design for double binocular spectacles,
as shown and described.

DESCRIPTION

FIG. 1 is a perspective view of a double binocular spec-
tacle showing my new design;
FIG. 2 is a right side elevation thereof, which is a mir-
ror image of a left side elevation thereof;
FIG. 3 is a top plan view thereof;
FIG. 4 is a front elevation thereof; and,
FIG. 5 is a bottom plan view thereof.

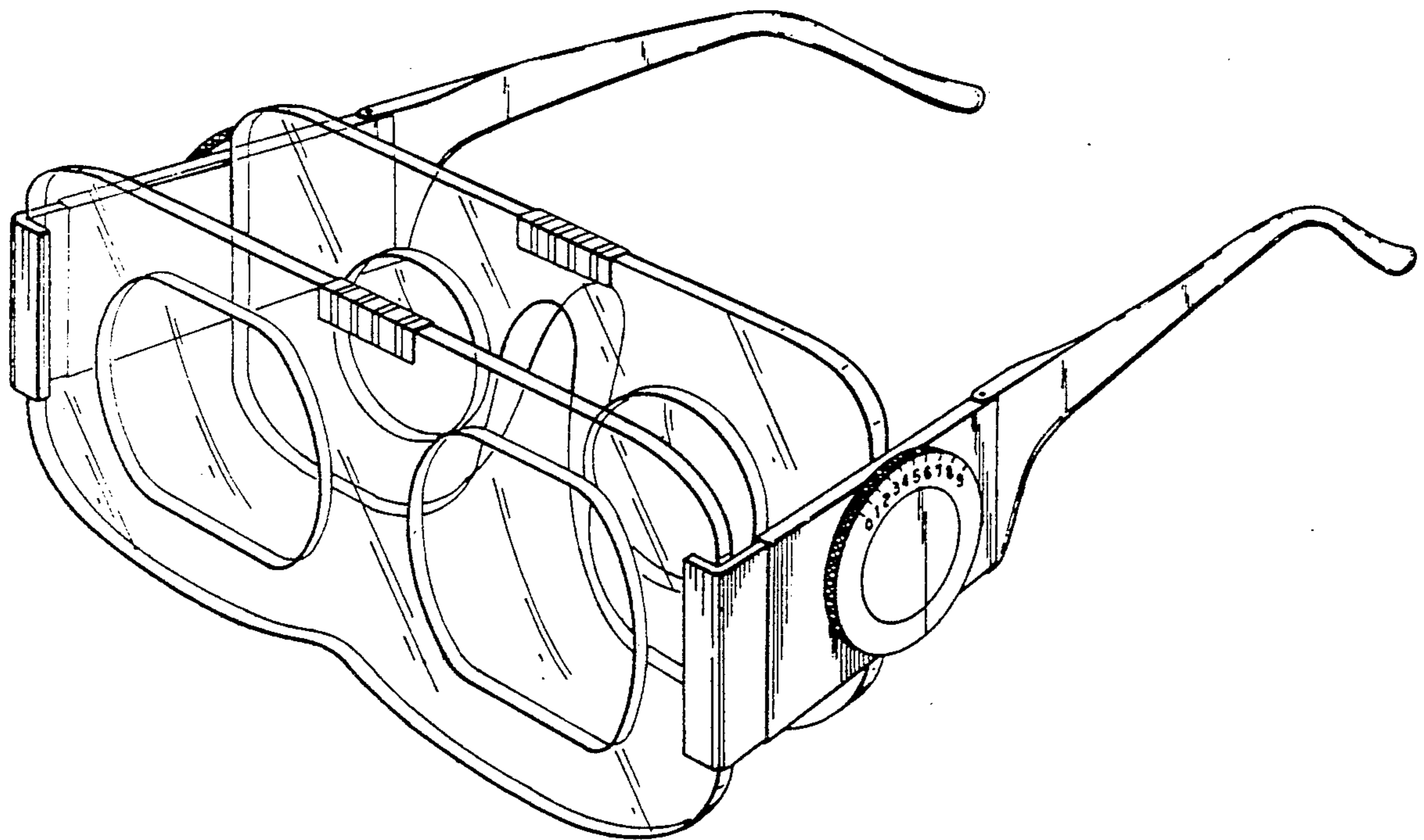


Fig.1

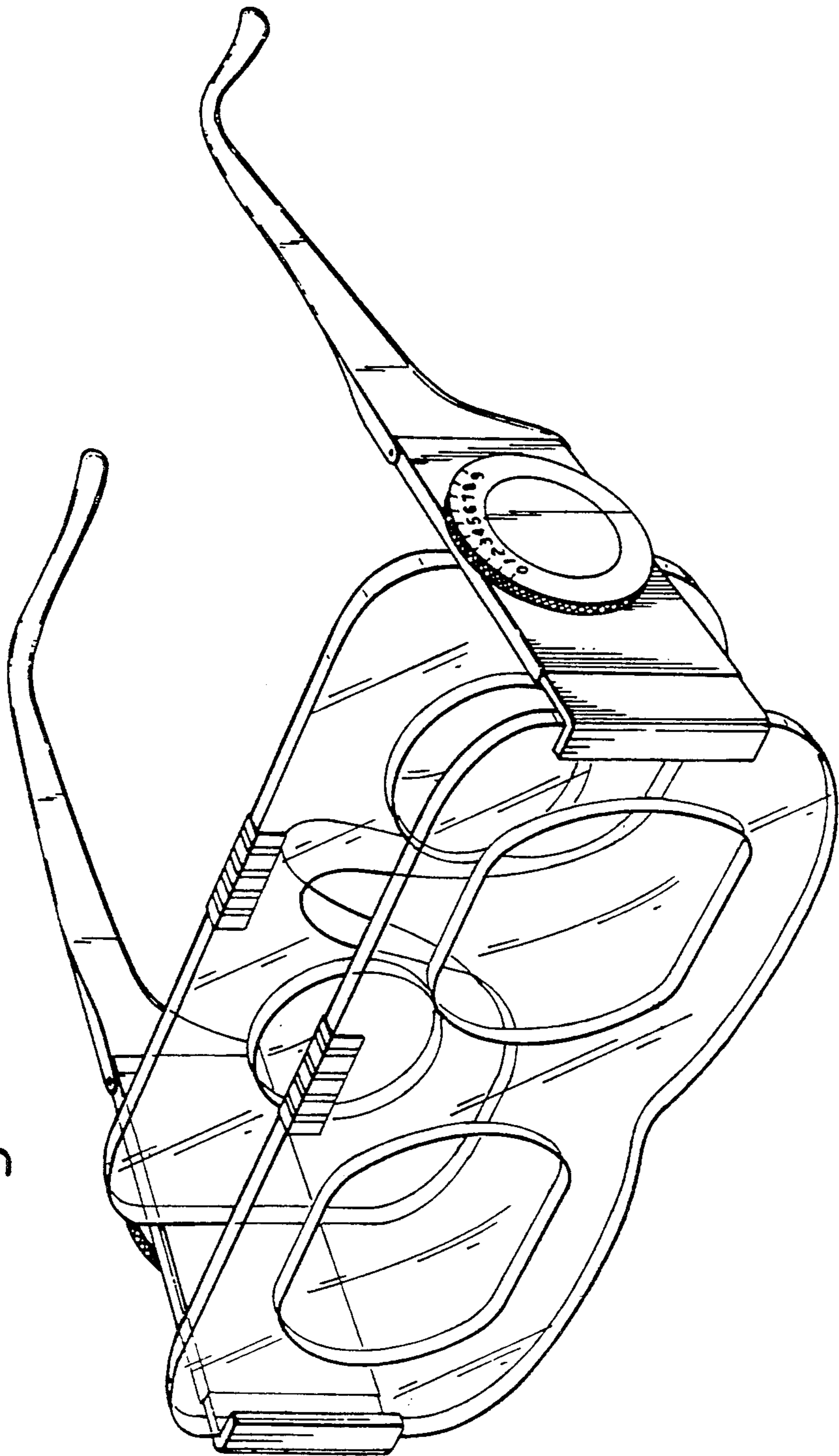


Fig.2

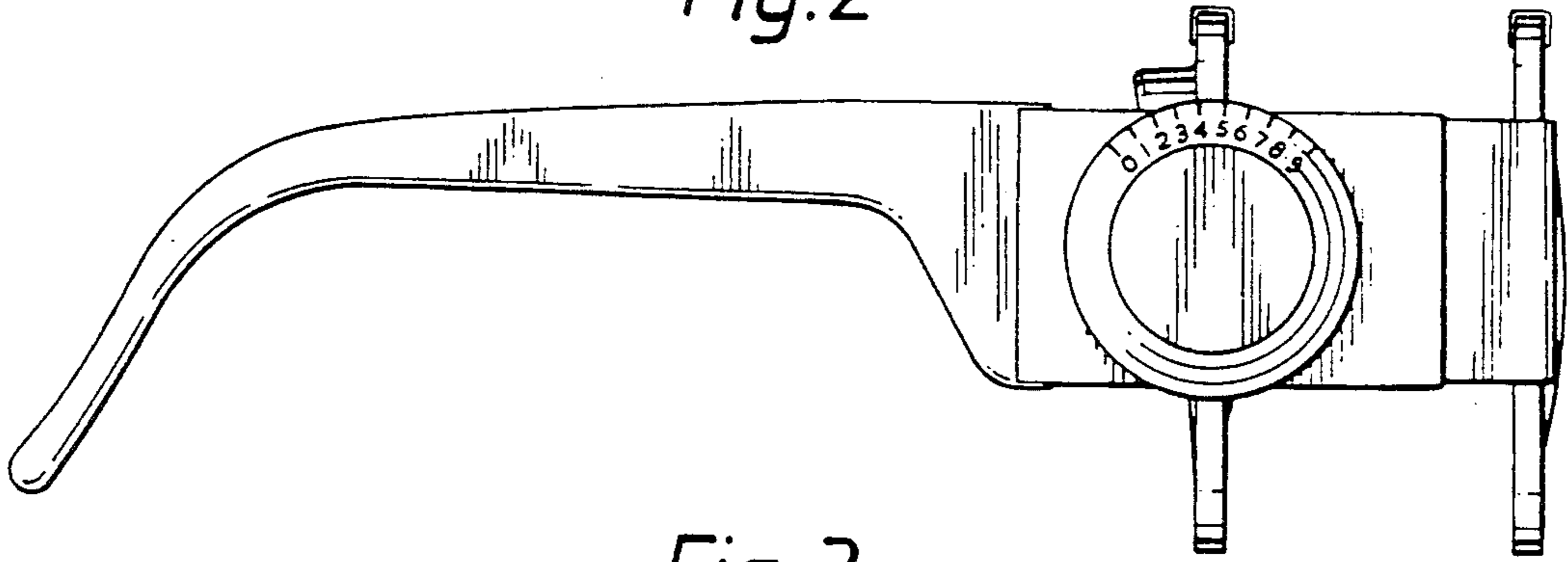


Fig.3

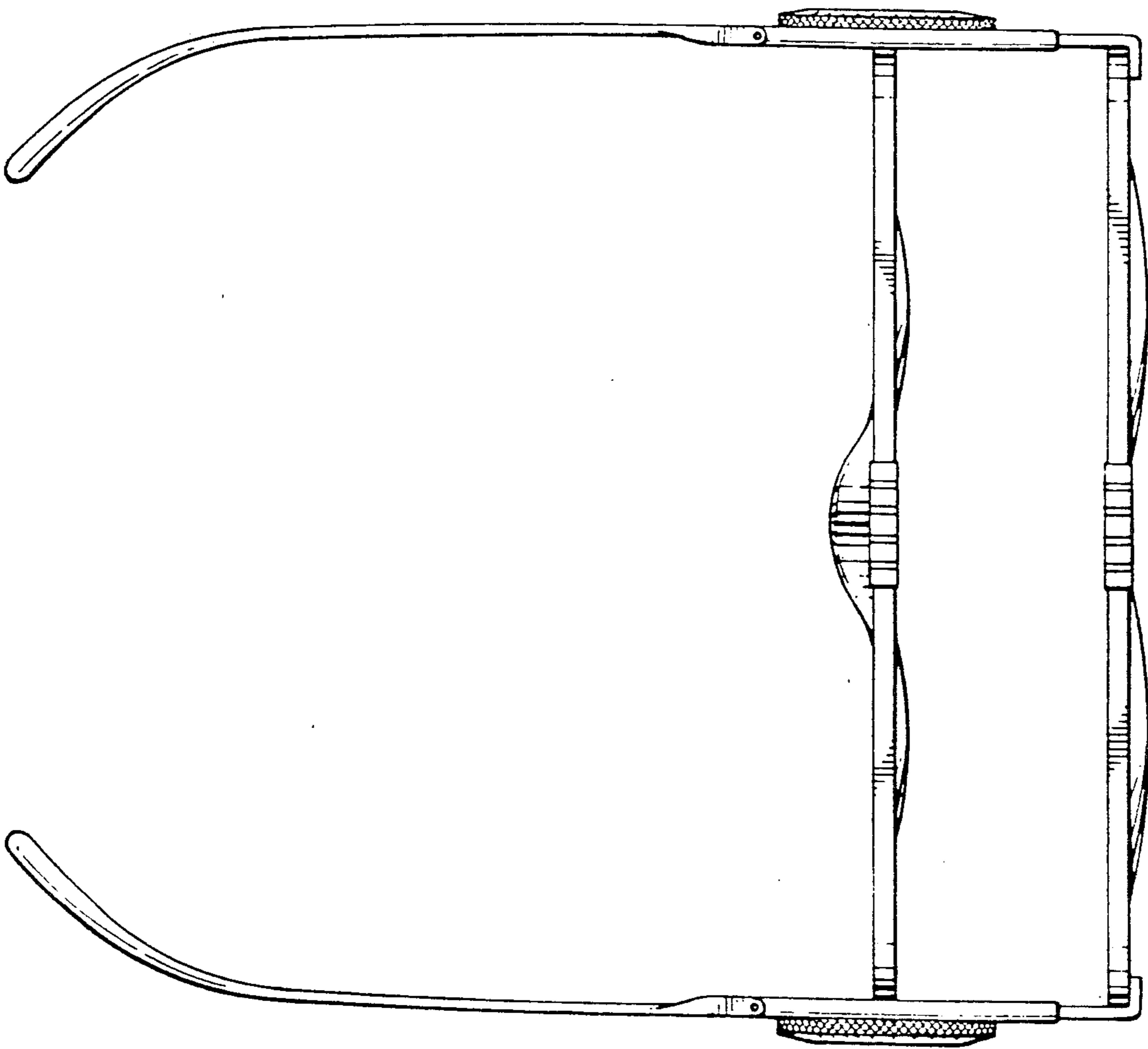


Fig.4

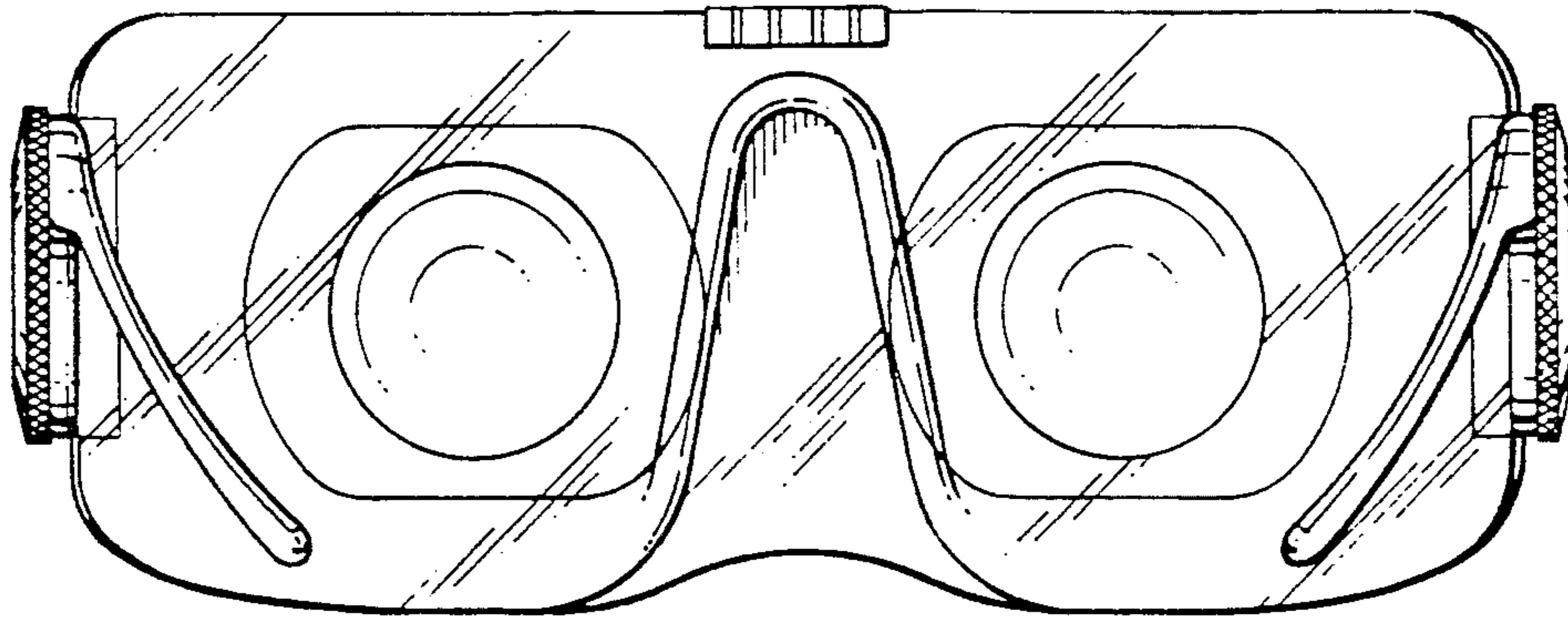


Fig.5

