



US00D327488S

United States Patent [19]

[11] Patent Number: **Des. 327,488**

Davila

[45] Date of Patent: **** Jun. 30, 1992**

[54] TRANSMISSION MOUNT

4,673,169 6/1987 Heitzig 267/140.1 R

[75] Inventor: **Bernardo Davila, Miami, Fla.**

FOREIGN PATENT DOCUMENTS

[73] Assignee: **Southeast Automotive Parts of Dade, Inc., Miami, Fla.**

687721 1/1940 Fed. Rep. of Germany 248/632

[**] Term: **14 Years**

Primary Examiner—Donald P. Walsh
Assistant Examiner—Antoine D. Davis
Attorney, Agent, or Firm—Harry W. Barron

[21] Appl. No.: **384,465**

[57] CLAIM

[22] Filed: **Jul. 25, 1989**

The ornamental design for a transmission mount, as shown and described.

[52] U.S. Cl. **D15/149; D15/140**

[58] Field of Search D15/148, 149; 267/136, 267/140.1.R, 140.1 A, 140.1 E, 140.1 AE, 140.1 C; 403/220, 225

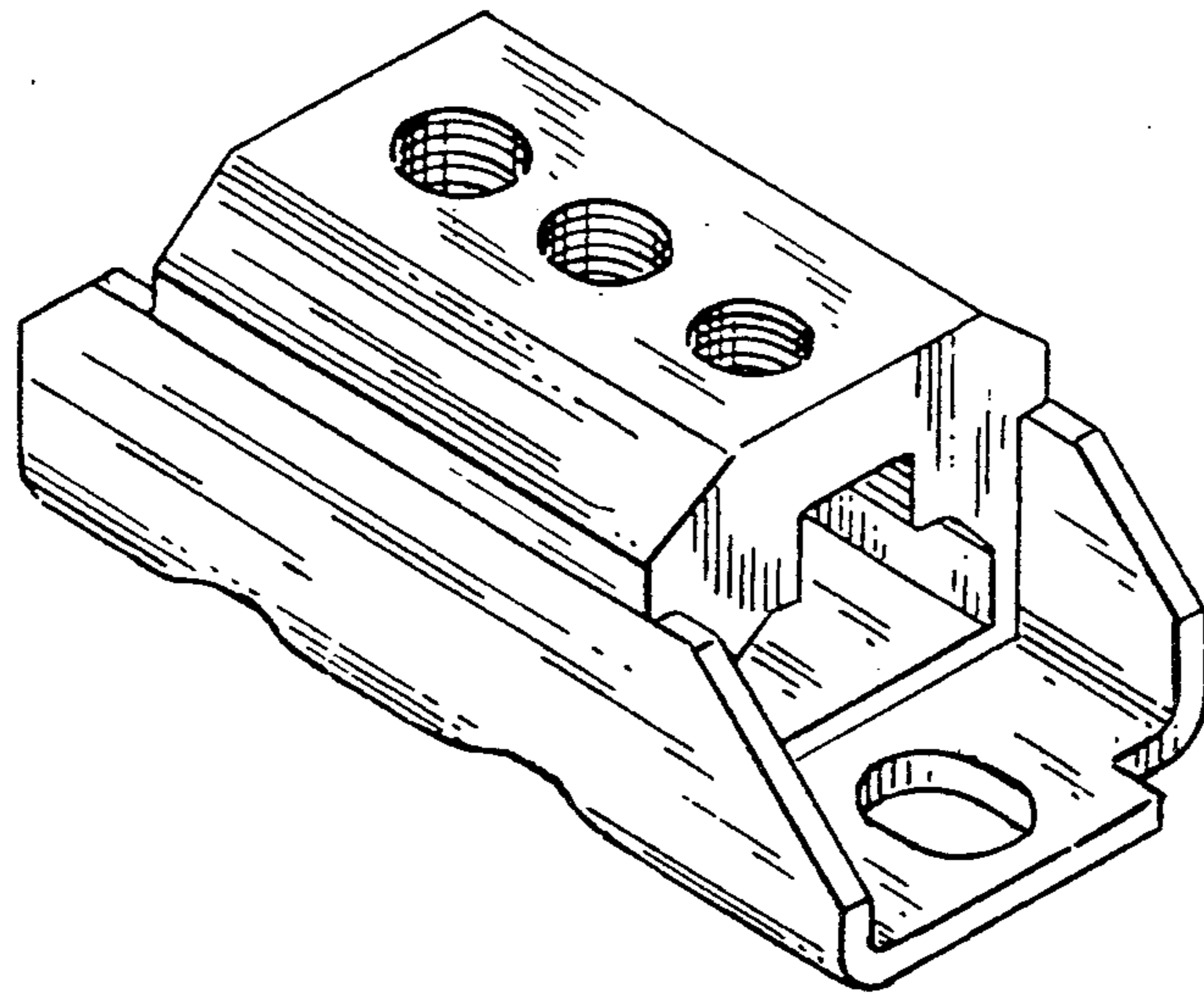
DESCRIPTION

[56] References Cited

U.S. PATENT DOCUMENTS

D. 247.906	5/1978	Erl	D15/148
2.216.814	10/1940	Gray, Jr. et al.	267/140.1
2.470.185	5/1949	Pietz	248/632 X
3.826.456	7/1978	Tranter et al.	248/632

FIG. 1 is a top plan view of a transmission mount showing my new design;
FIG. 2 is a left side elevational view, the right side elevational view being a mirror image;
FIG. 3 is a bottom plan view;
FIG. 4 is a front elevational view;
FIG. 5 is a rear elevational view; and
FIG. 6 is a perspective view thereof.



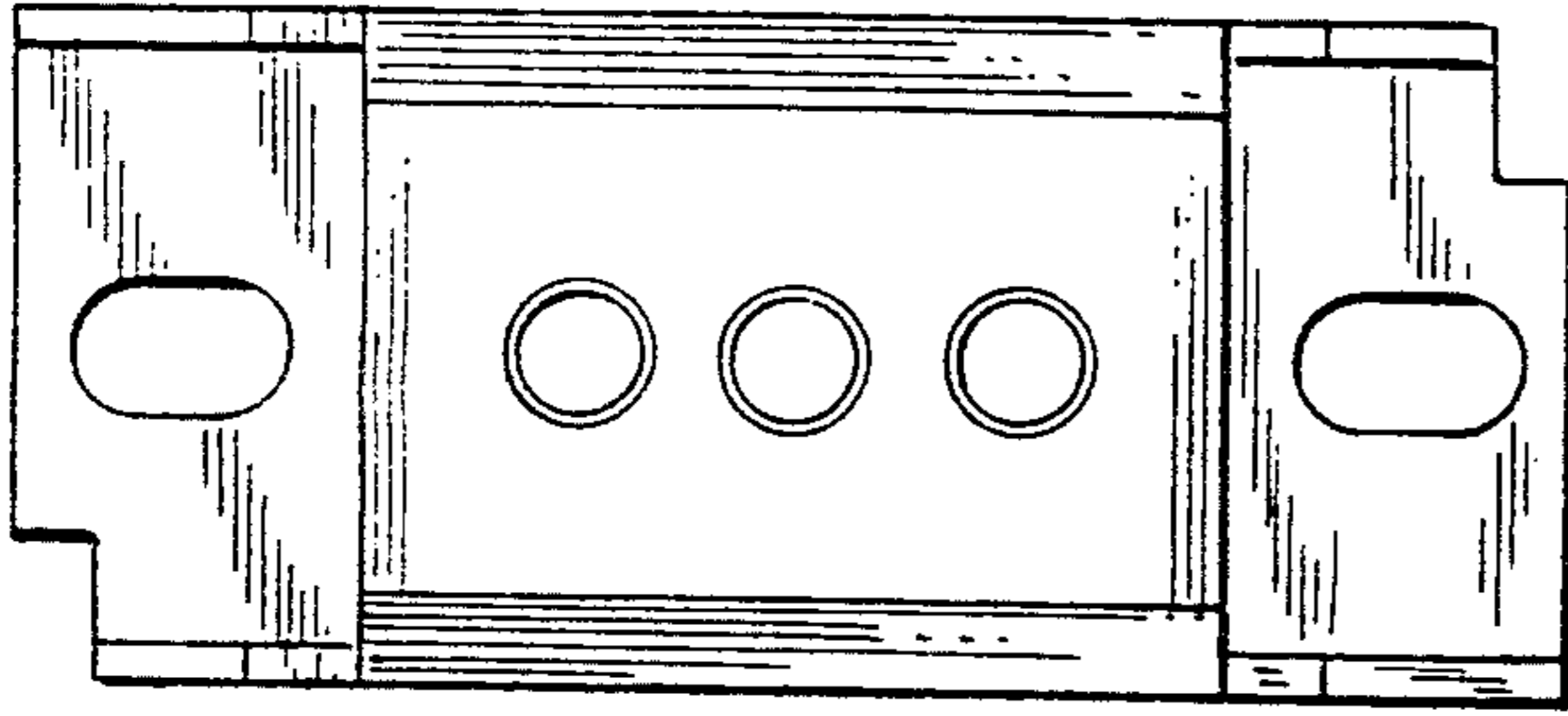


Fig. 1.

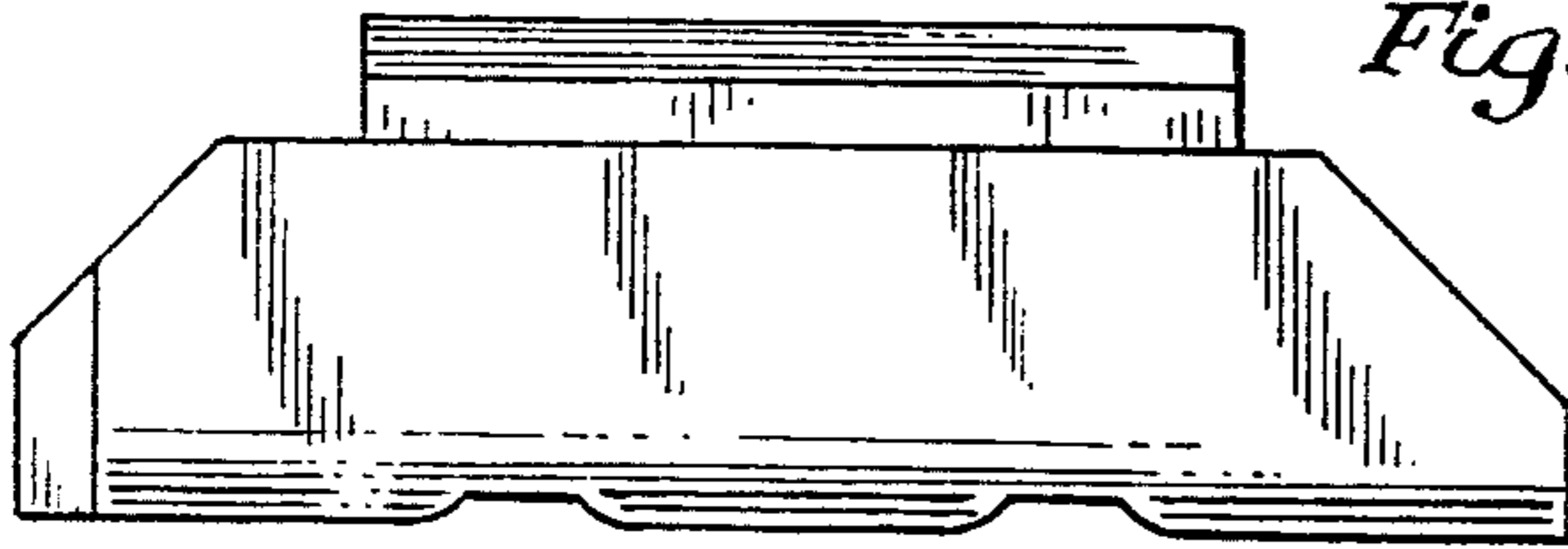


Fig. 2.

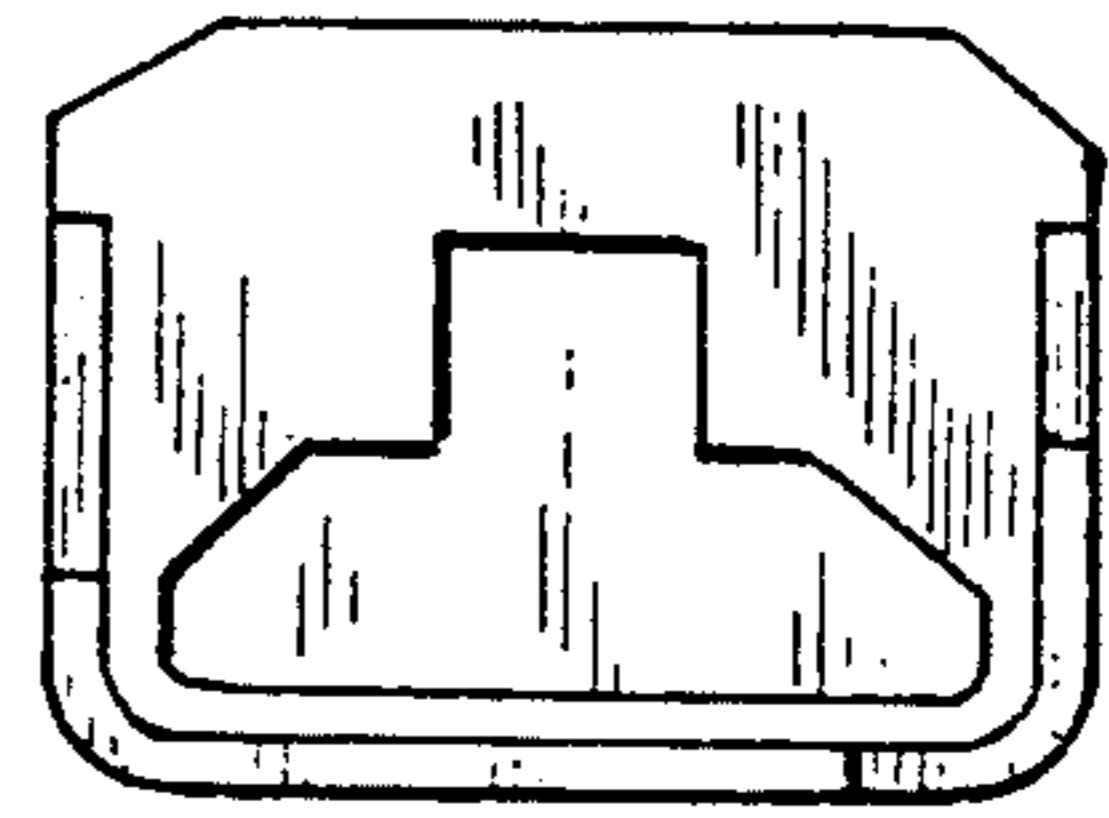


Fig. 4.

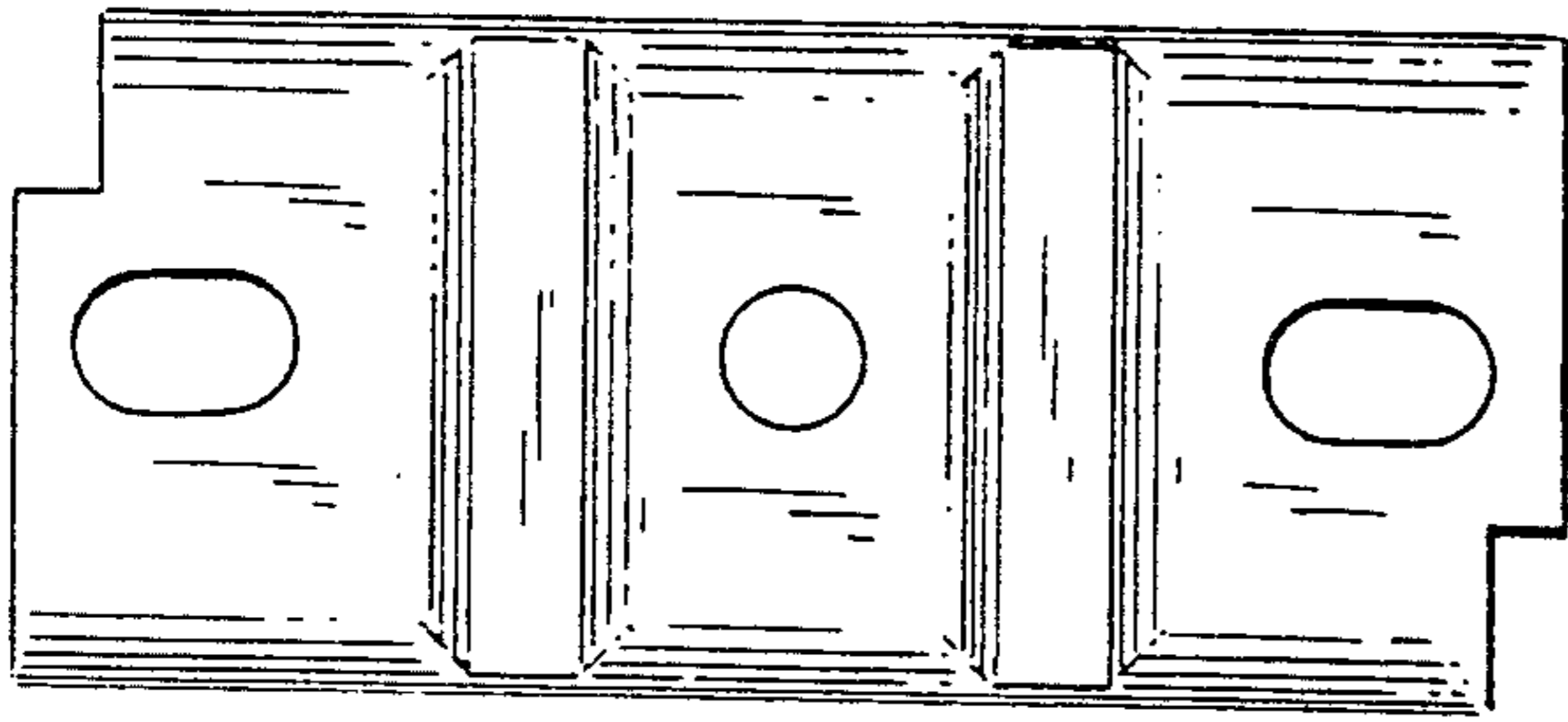


Fig. 3.

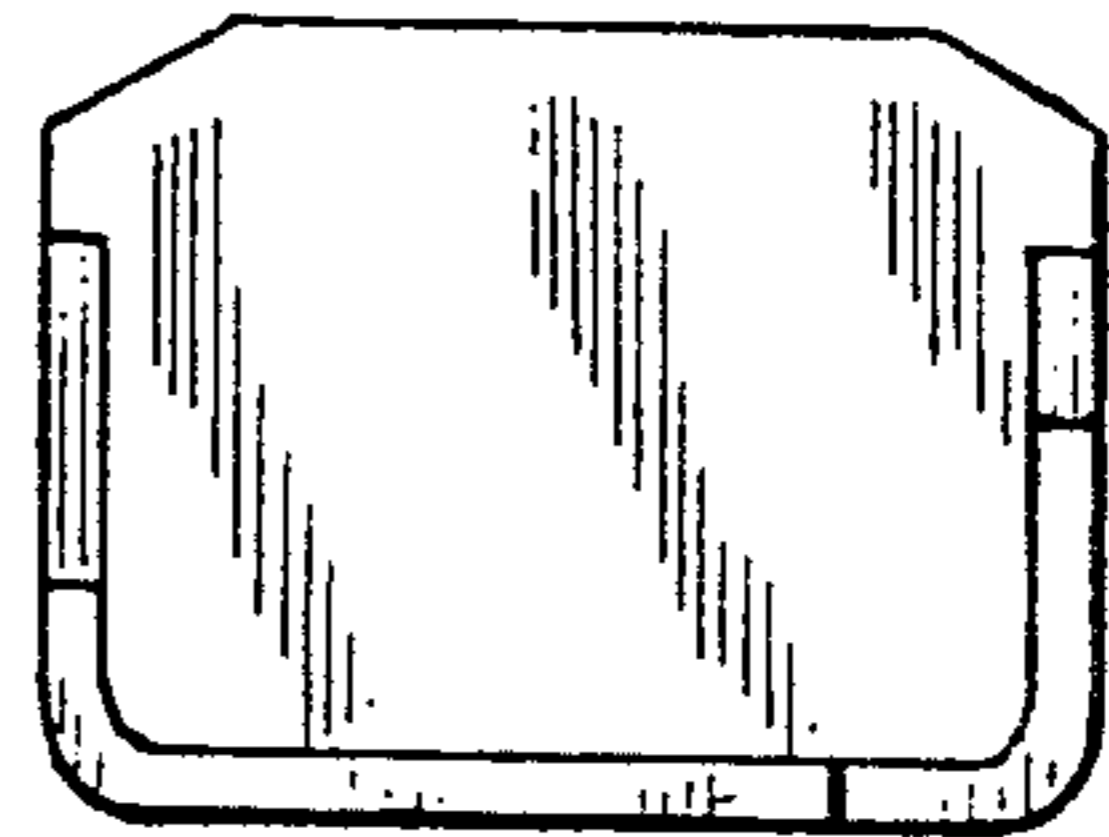


Fig. 5.

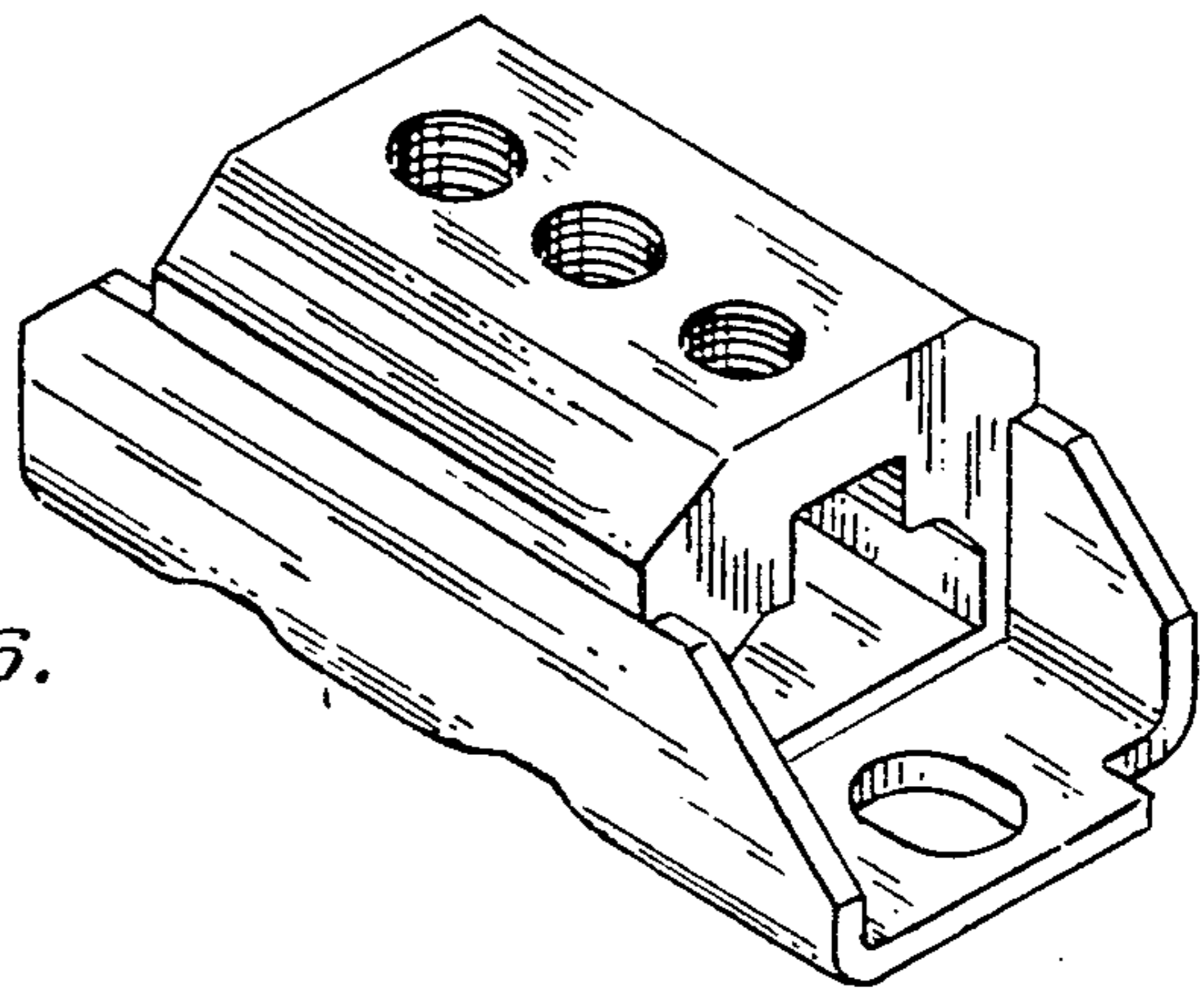


Fig. 6.