



US00D327486S

United States Patent [19]

[11] Patent Number: **Des. 327,486**

Watanabe

[45] Date of Patent: **** Jun. 30, 1992**

[54] PLASTIC FOAM CUTTING INSTRUMENT

[76] Inventor: **Masahiro Watanabe**, 3-15-12 Narimasu, Itabashi-ku, Tokyo, Japan

[**] Term: **14 Years**

[21] Appl. No.: **602,976**

[22] Filed: **Oct. 22, 1990**

[52] U.S. Cl. **D15/133; D15/139**

[58] Field of Search **D15/133, 134, 127, 139; 30/392, 394; 83/200.1, 788, 809, 810, 811, 812, 813, 651.1, 170, 176; 125/16.01; 264/46.5**

[56] References Cited

U.S. PATENT DOCUMENTS

D. 227,290	6/1973	Bond	83/651.1 X
2,987,598	6/1961	Chace et al.	83/171
3,018,355	1/1962	Wallerstein	83/171
3,509,628	5/1970	Carturan	83/200.1
4,436,010	3/1984	Vatentine	83/171

Primary Examiner—Donald P. Walsh
Assistant Examiner—Antoine D. Davis
Attorney, Agent, or Firm—Jordan and Hamburg

[57] CLAIM

The ornamental design for a plastic foam cutting instrument, as shown and described.

DESCRIPTION

FIG. 1 is a front elevational view of a plastic foam cutting instrument showing my new design; FIG. 2 is a top plan view; FIG. 3 is a left side elevational view; FIG. 4 is a right side elevational view; FIG. 5 is a rear elevational view; FIG. 6 is a bottom plan view; FIG. 7 is a top, front and right side perspective view; and, FIG. 8 is a top, front and right side perspective view thereof, shown in a condition of utilization. FIGS. 1, 7 and 8 have been drawn on a slightly reduced scale with respect to FIGS. 2-6.

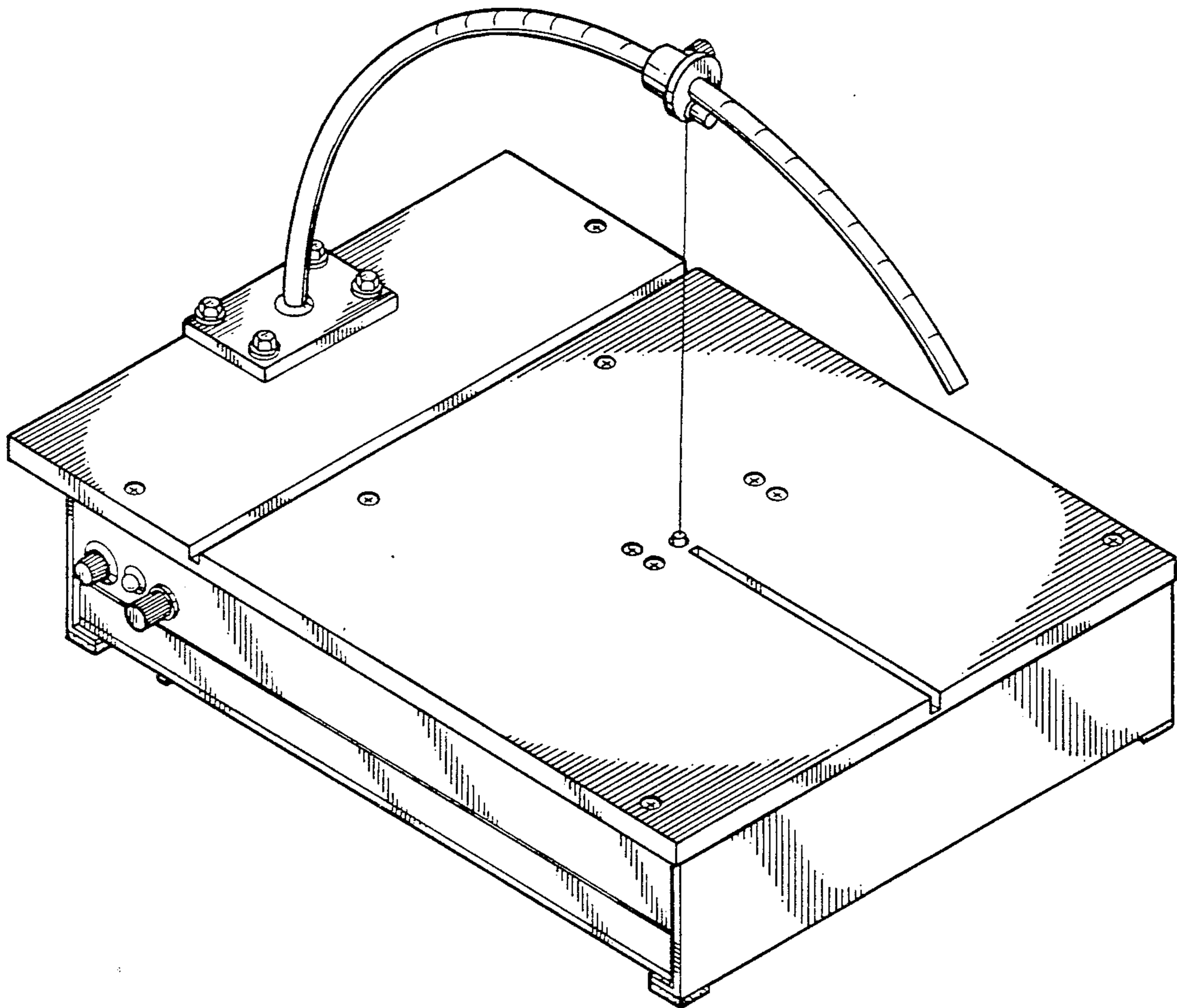


FIG. 1

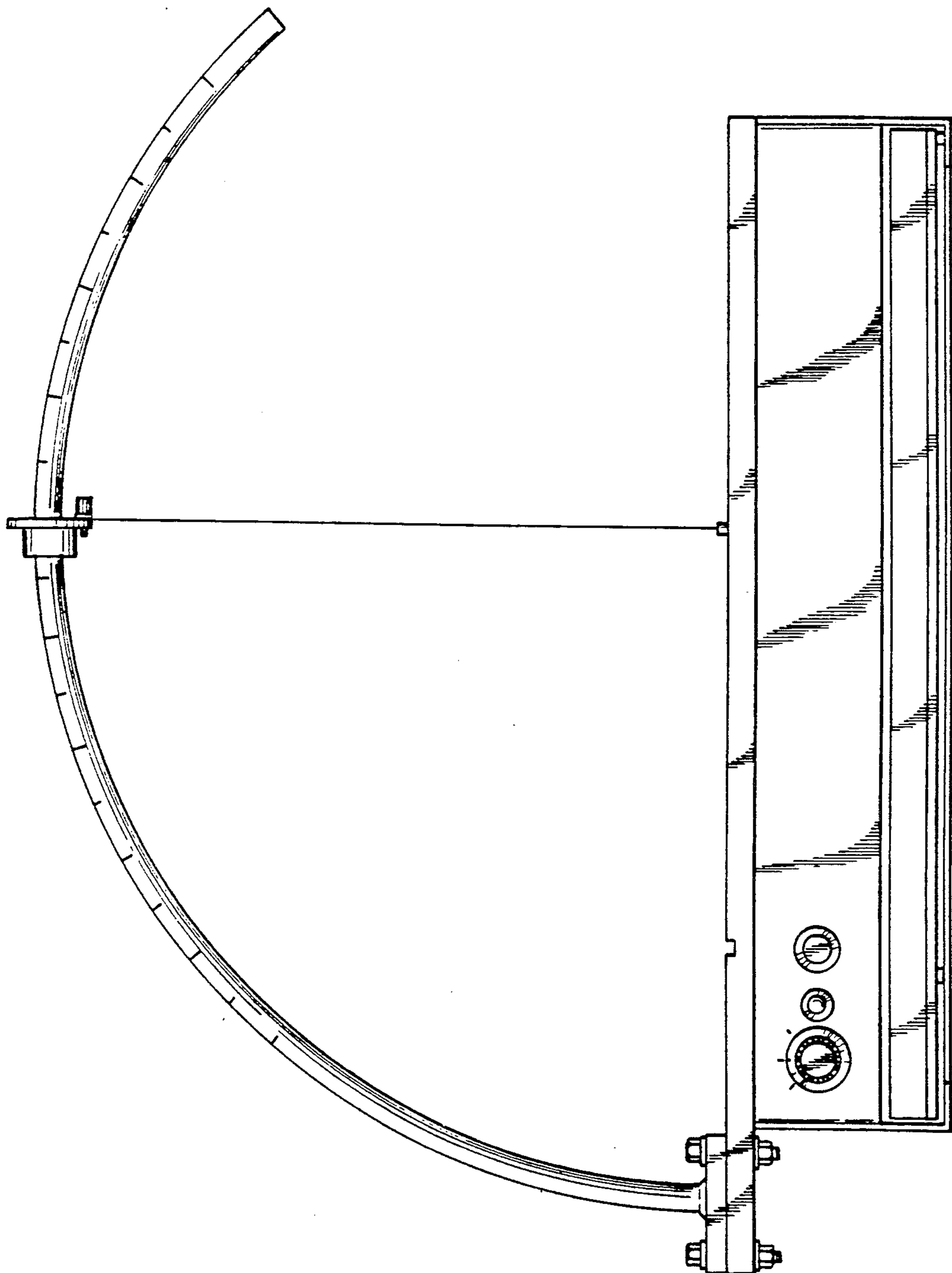


FIG.2

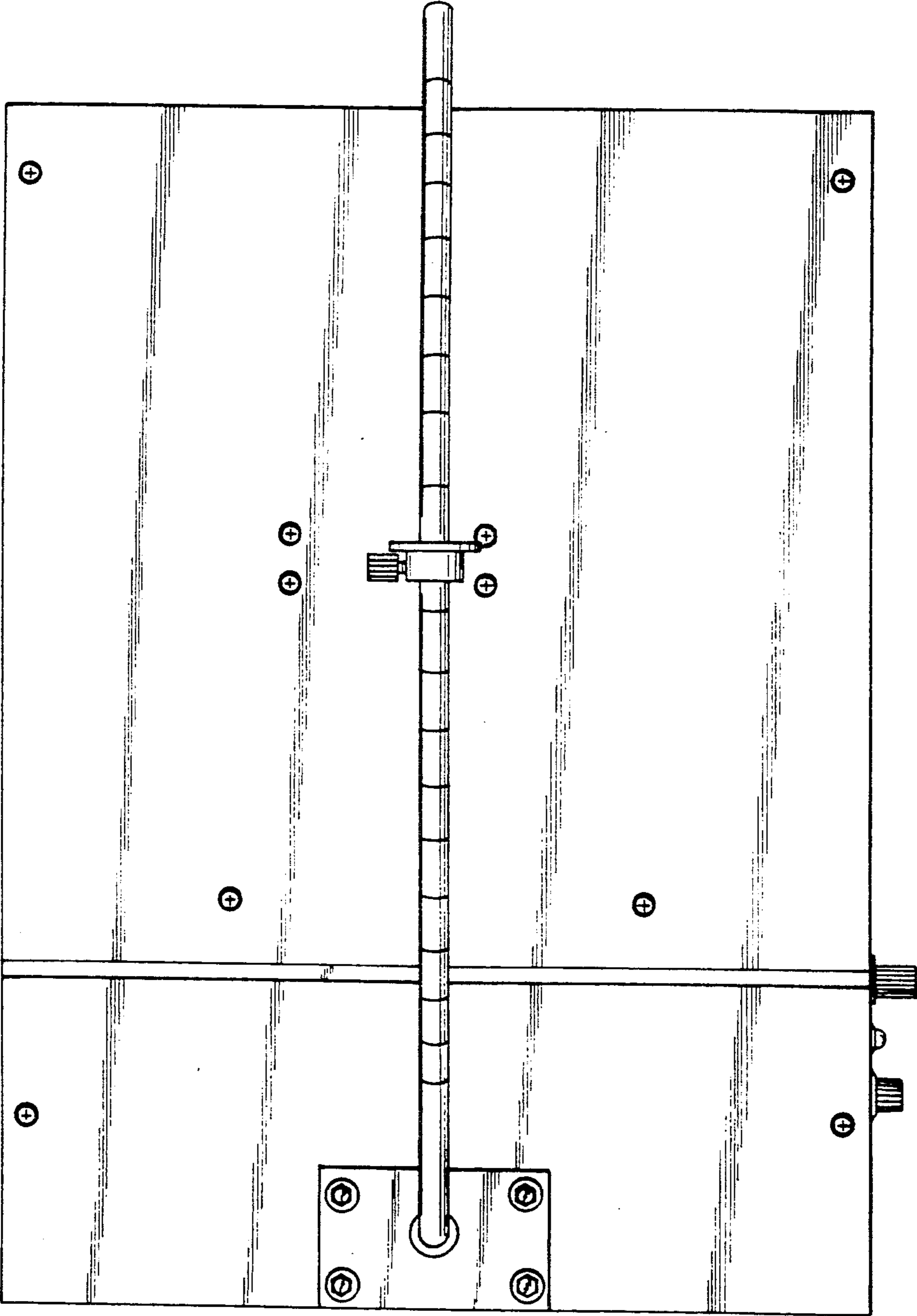


FIG.4

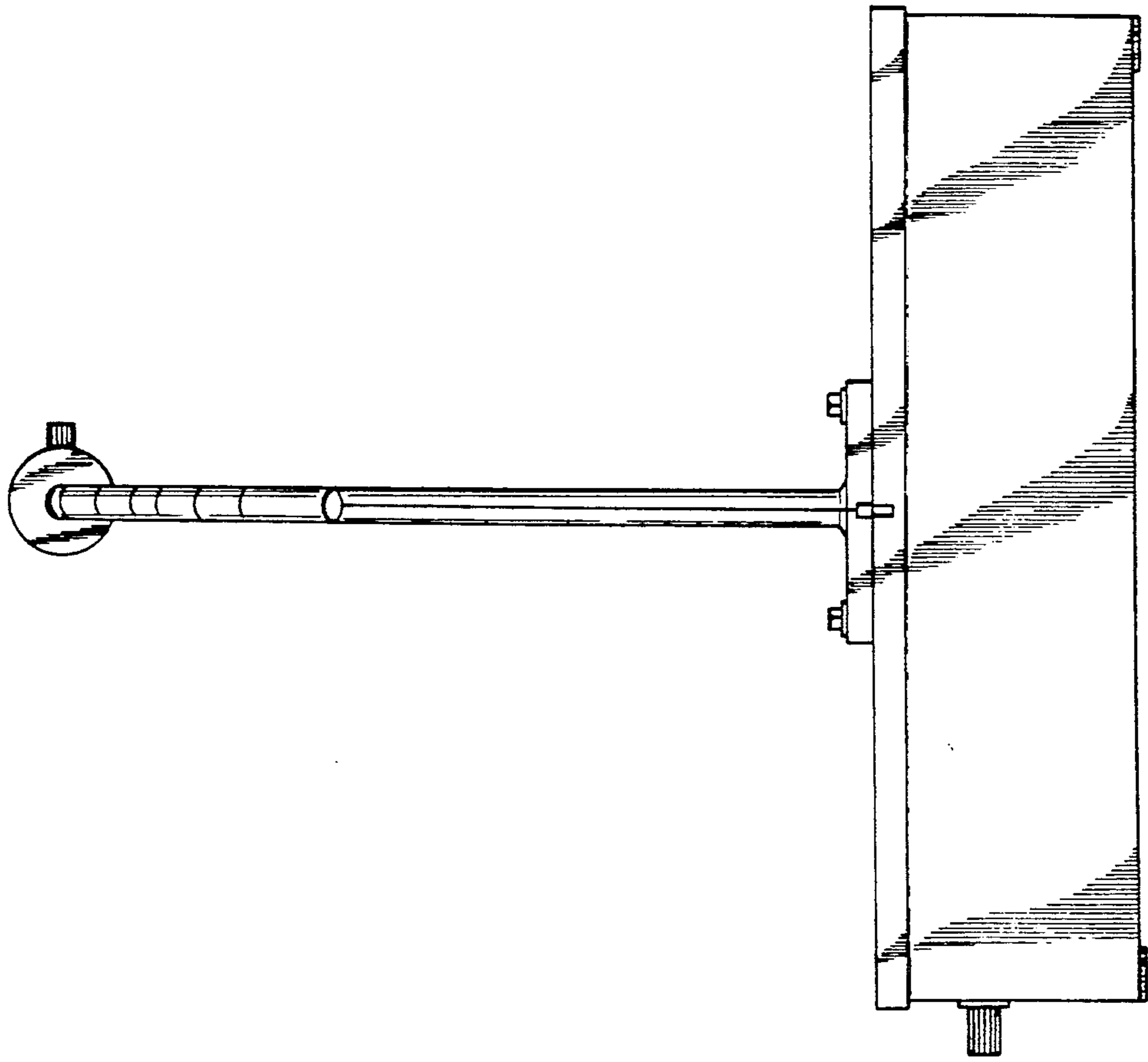


FIG.3

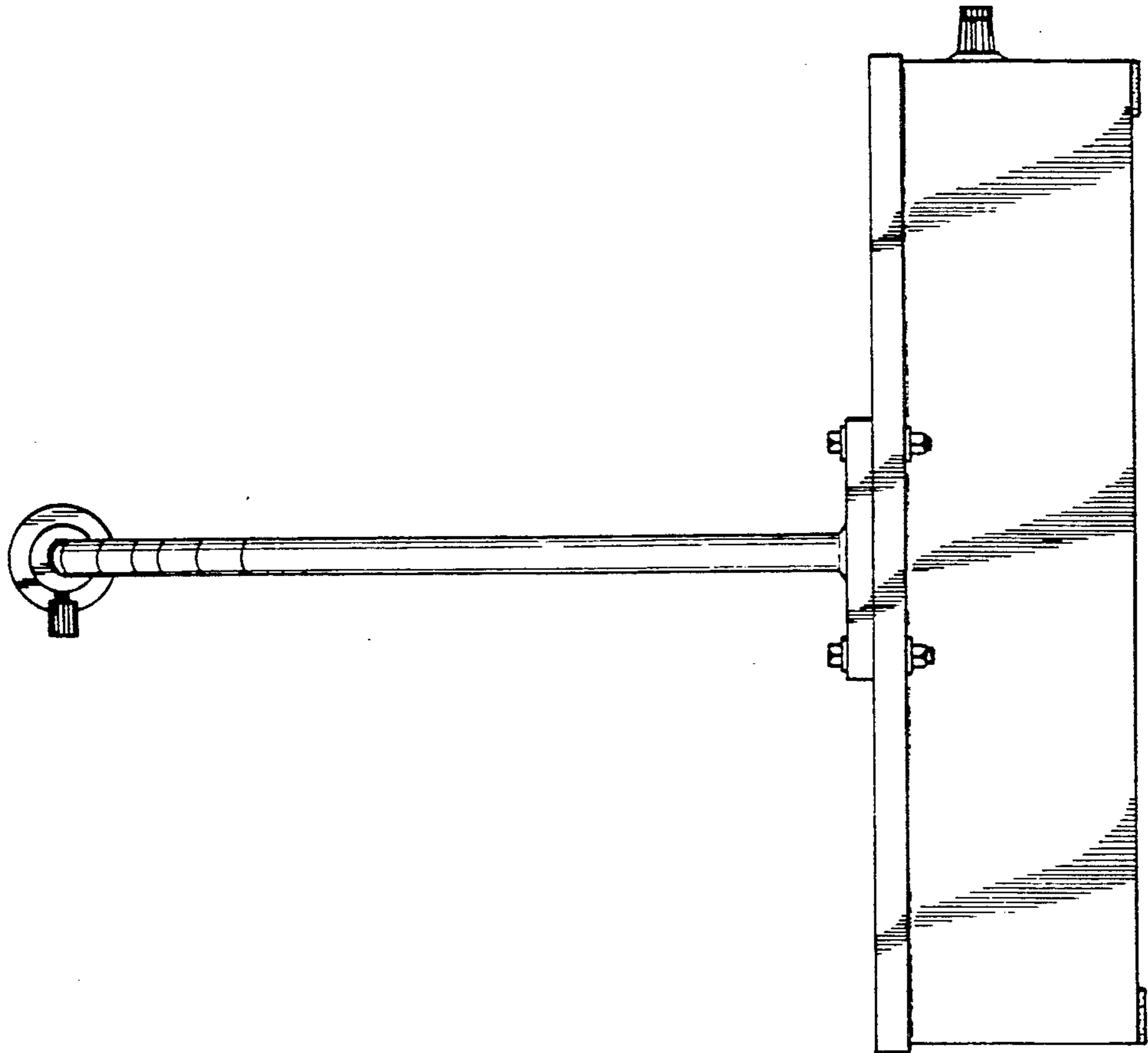


FIG. 5

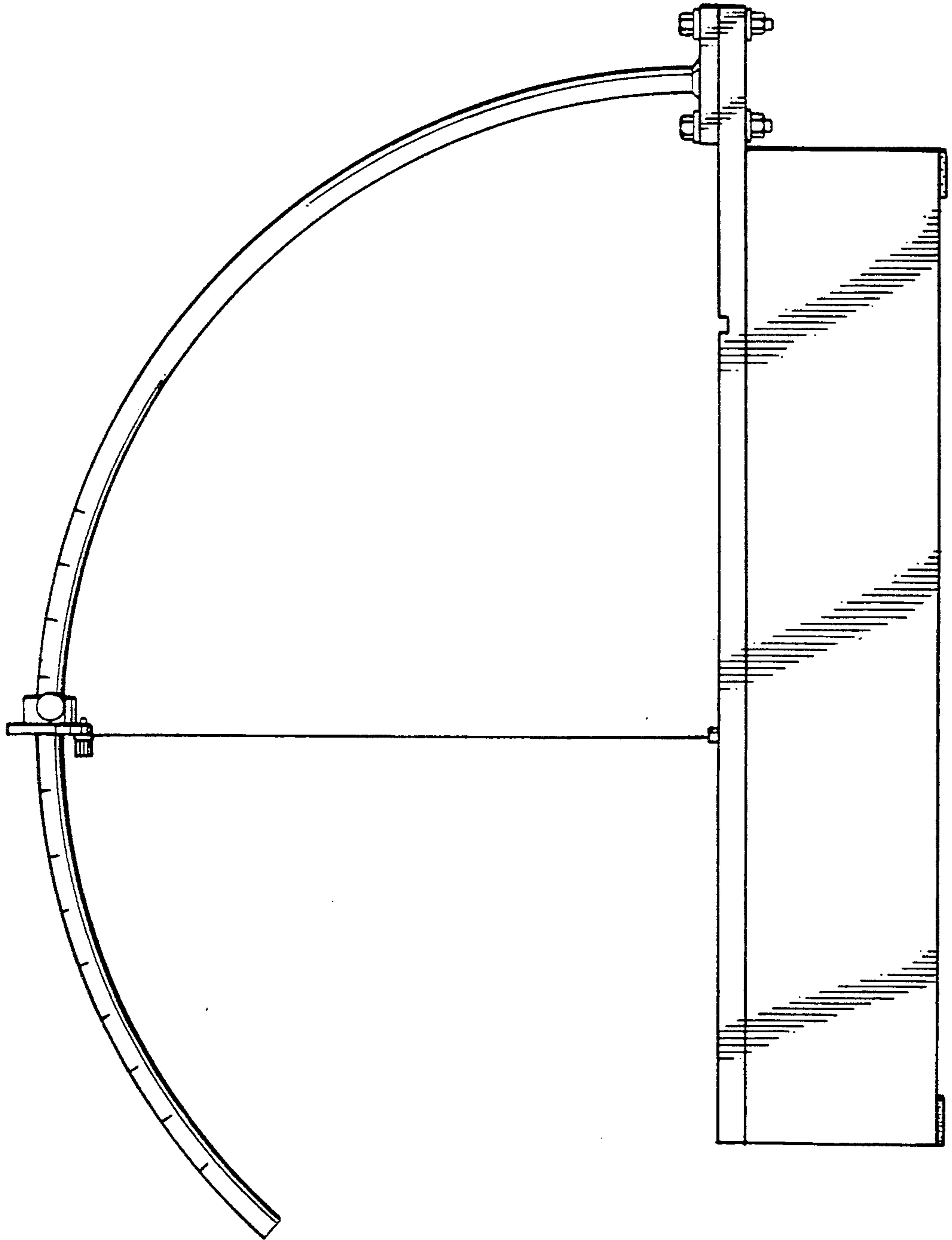
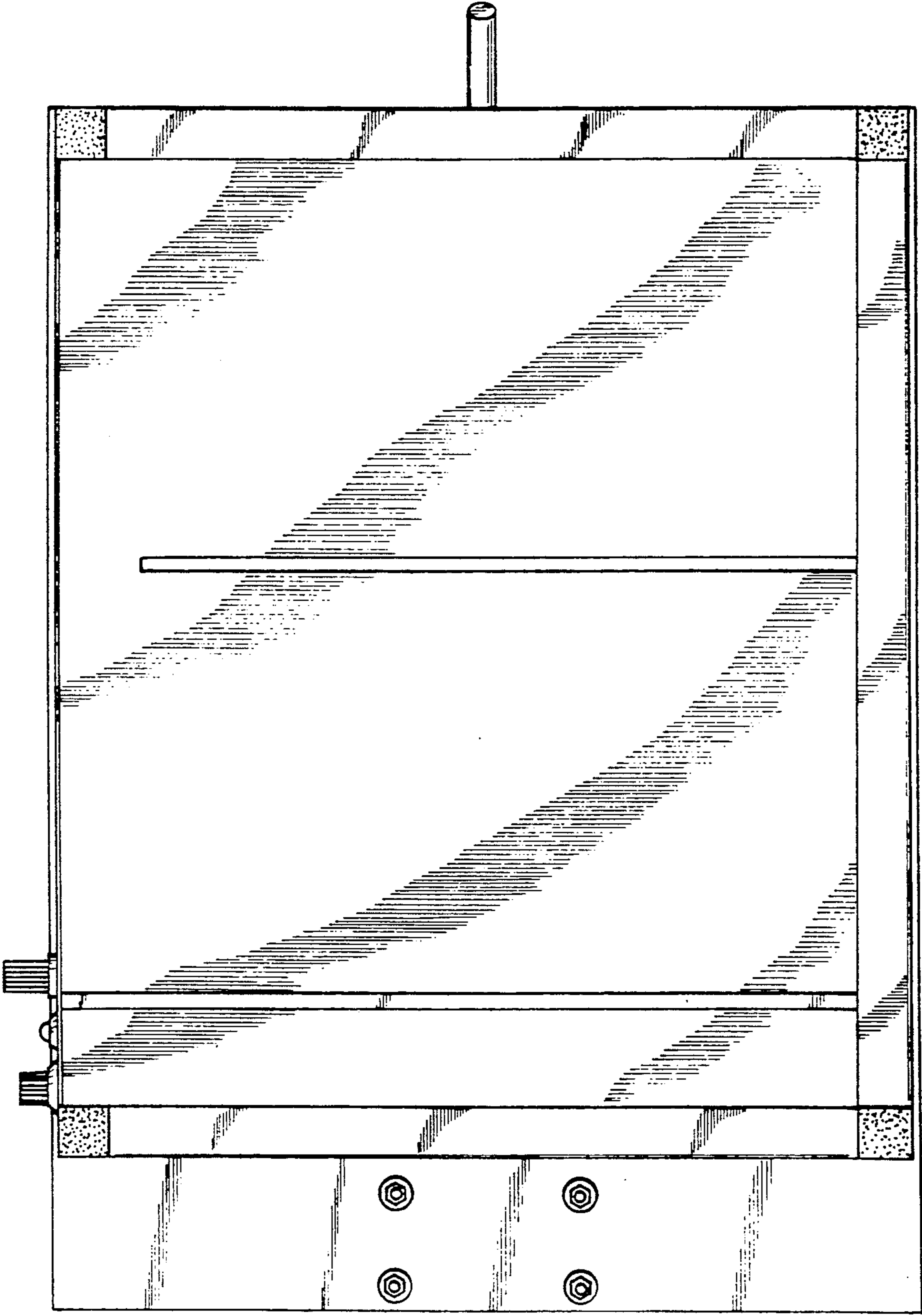


FIG. 6



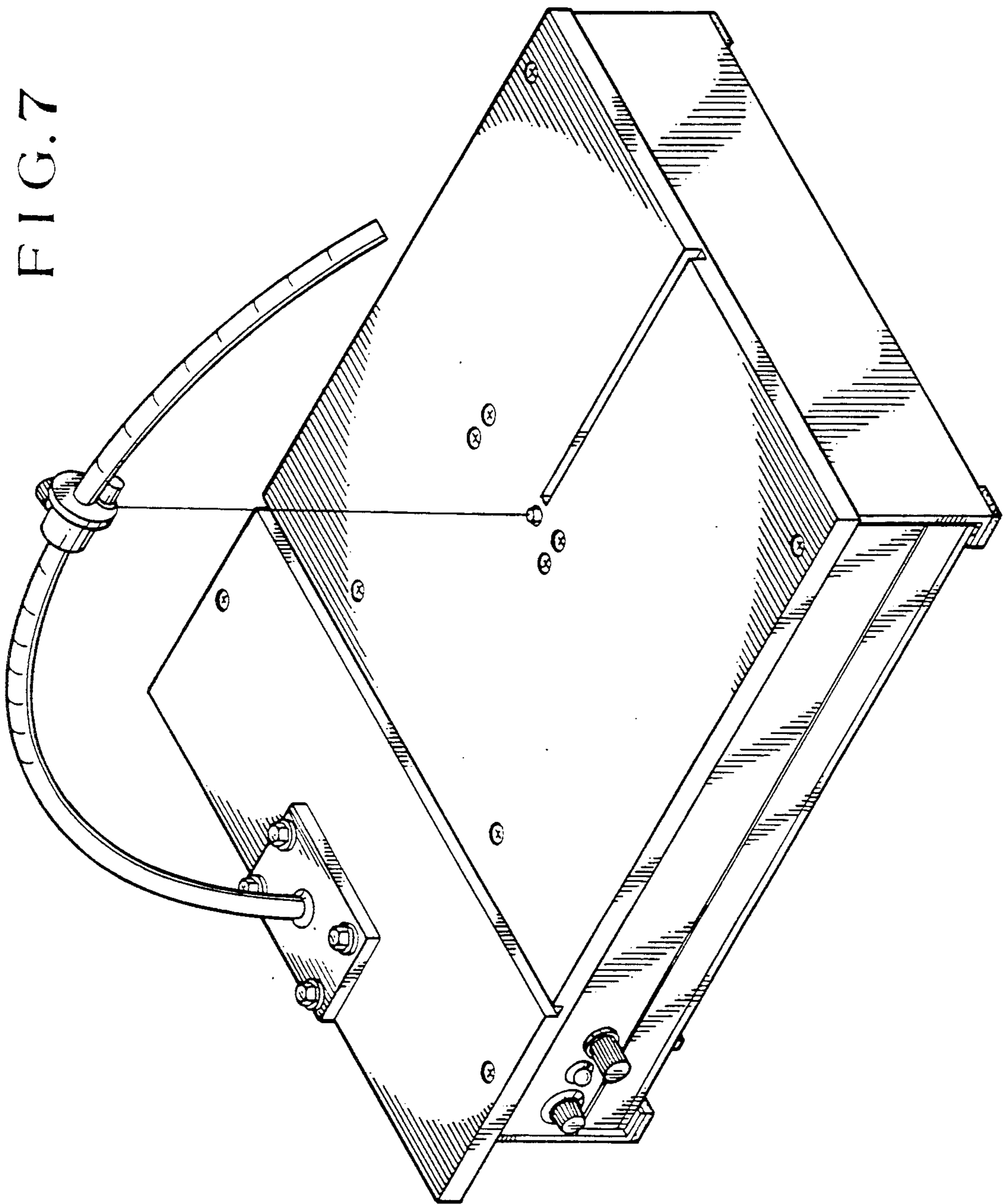


FIG. 8

