



US00D327485S

United States Patent [19]

St.Ama

[11] Patent Number: **Des. 327,485**

[45] Date of Patent: **** Jun. 30, 1992**

[54] **MOBILE CONCRETE PLANT WITH SILOS**

[76] Inventor: **Bobby D. St.Ama, R.R. 4 Box 128 G, Early, Tex. 76801**

[**] Term: **14 Years**

[21] Appl. No.: **470,515**

[22] Filed: **Jan. 25, 1990**

[52] U.S. Cl. **D15/19**

[58] Field of Search **D25/14, 3; D15/19; 366/18, 414; 414/332**

4,178,117 12/1979 Brugler 414/332 X
4,579,496 4/1986 Gerlach 336/18 X
4,775,275 10/1988 Perry 336/18 X

Primary Examiner—A. Hugo Word

Assistant Examiner—Doris V. Coles

[57] CLAIM

The ornamental design for a mobile concrete plant with silos, as shown and described.

DESCRIPTION

FIG. 1 is a right side elevational view of a mobile concrete plant with silos, showing my new design; the left side being a mirror image thereof;

FIG. 2 is a top plan view thereof;

FIG. 3 is a front elevational view thereof;

FIG. 4 is a rear elevational view thereof;

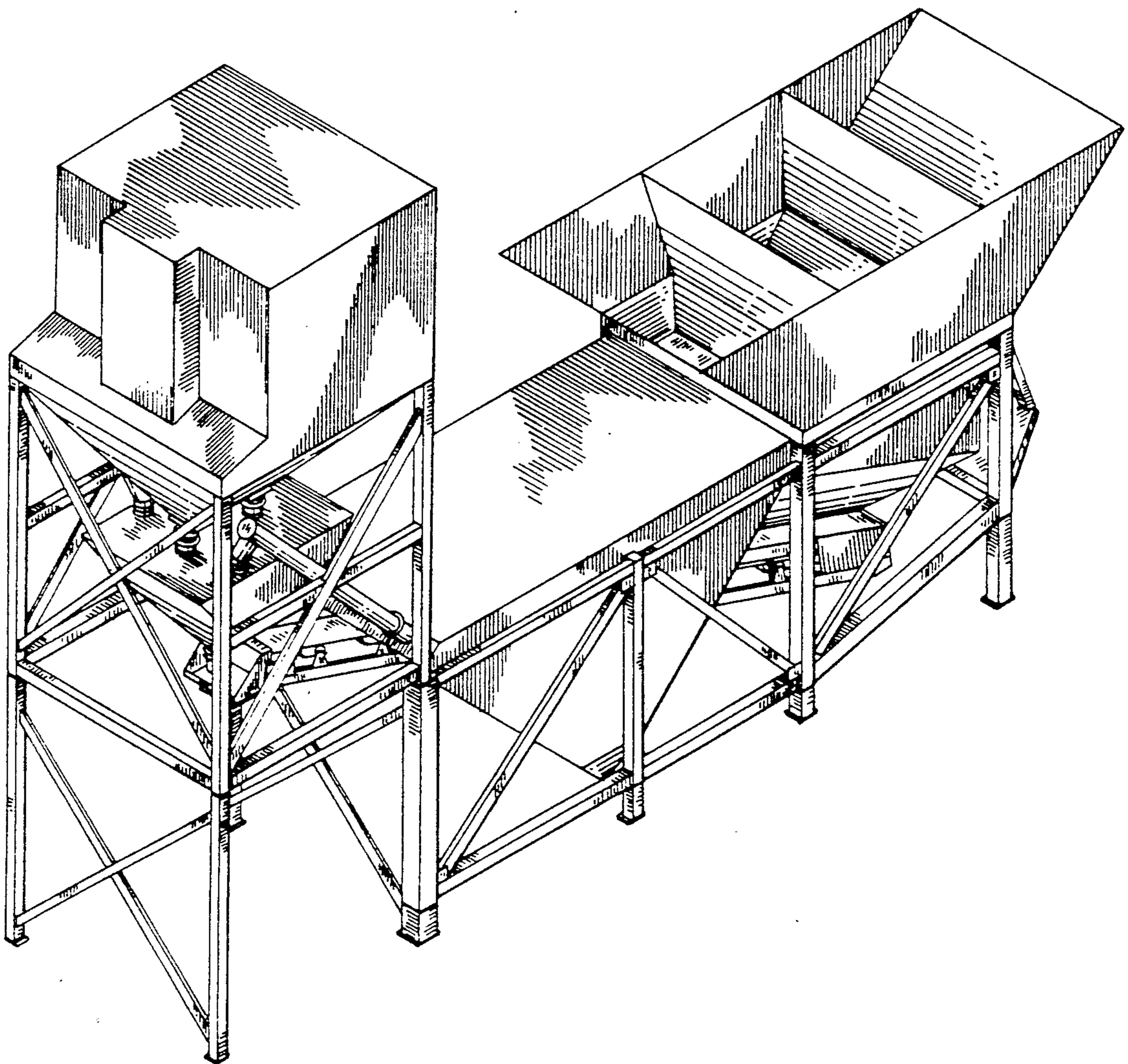
FIG. 5 is a right side elevational view thereof in the travel position; and,

FIG. 6 is a perspective view in the working position.

[56] References Cited

U.S. PATENT DOCUMENTS

D. 255,355	6/1980	Mize	D15/19
D. 294,642	3/1988	Bostrom	D25/3
3,049,248	8/1962	Heltzel et al.	414/322
3,064,832	11/1962	Heltzel	414/332
3,154,202	10/1964	Heltzel	414/332



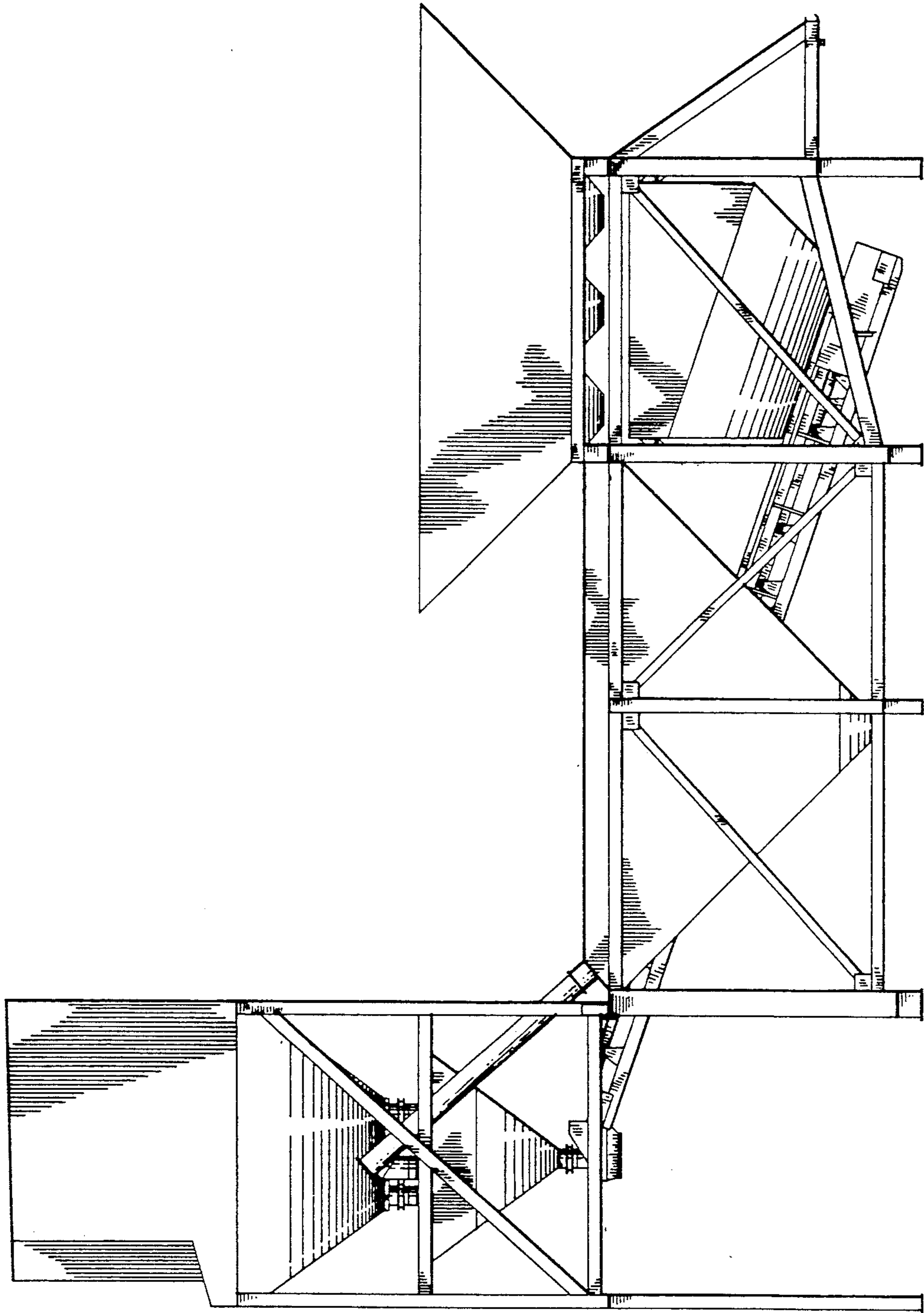


FIG. 1

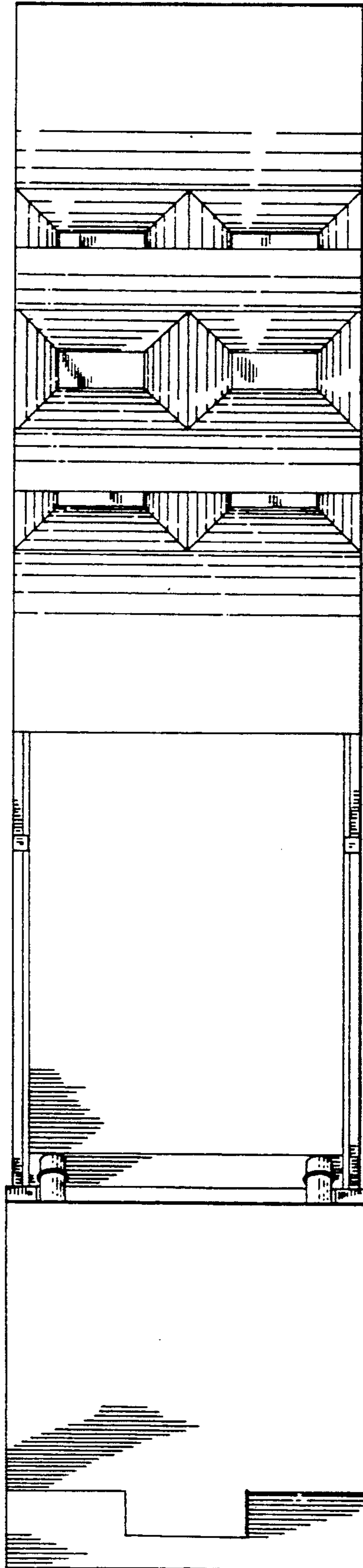


FIG. 2

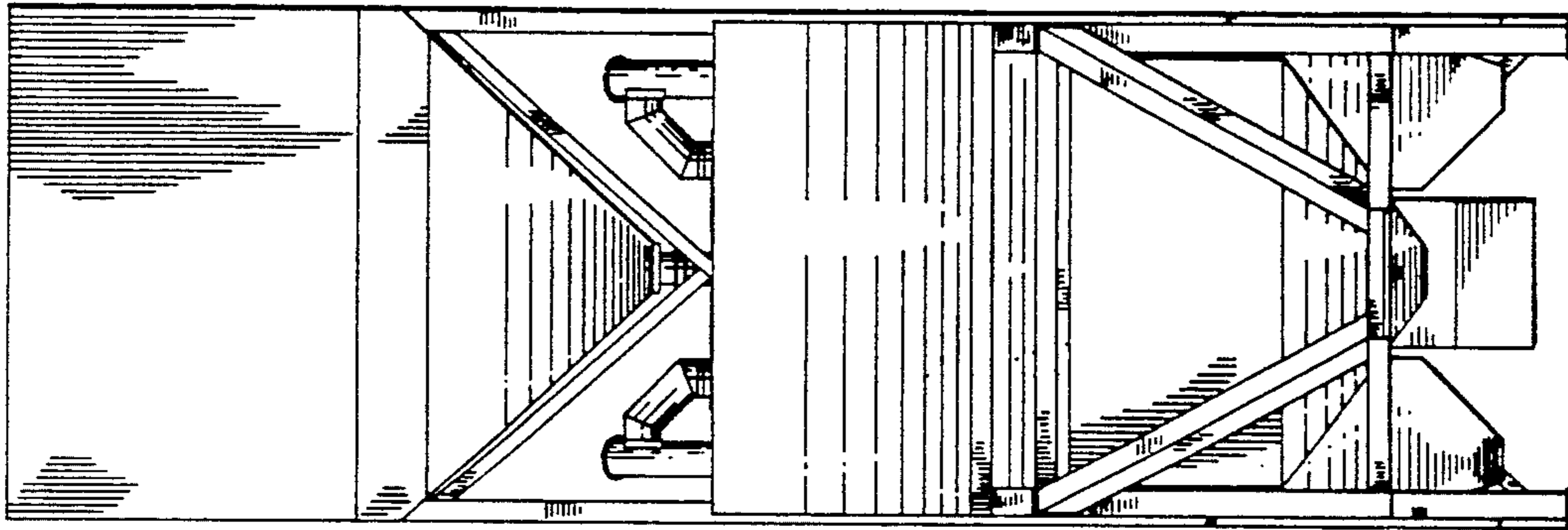


FIG. 4

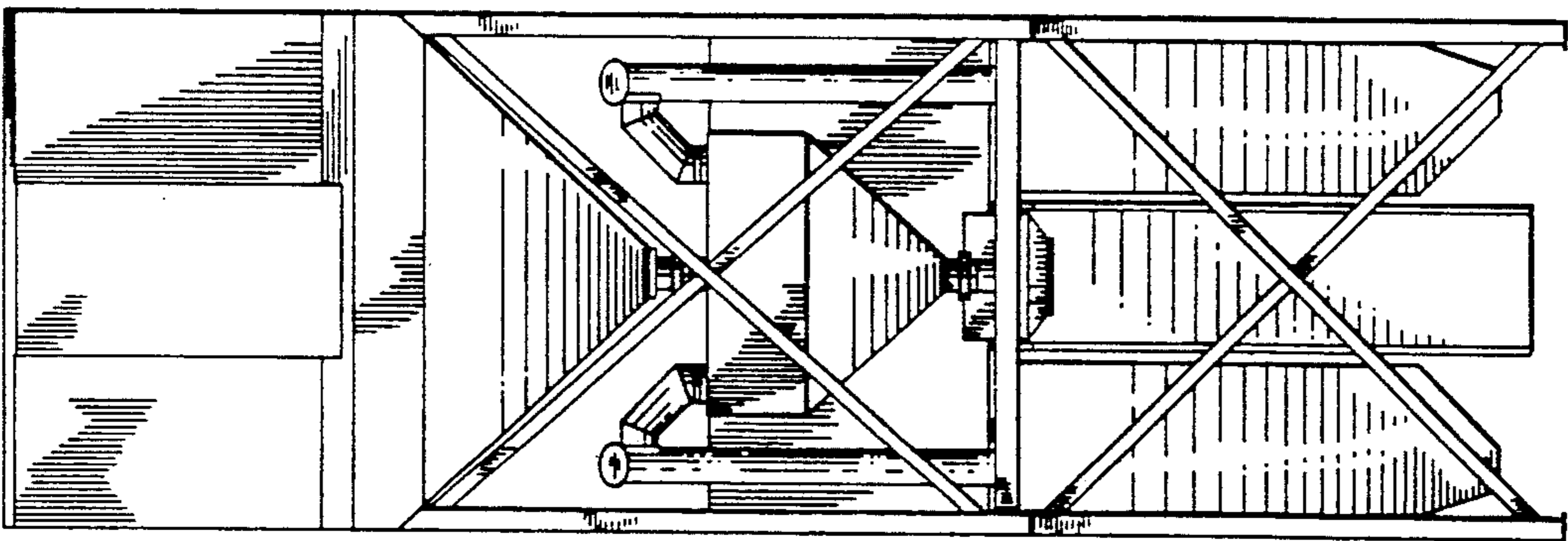


FIG. 3

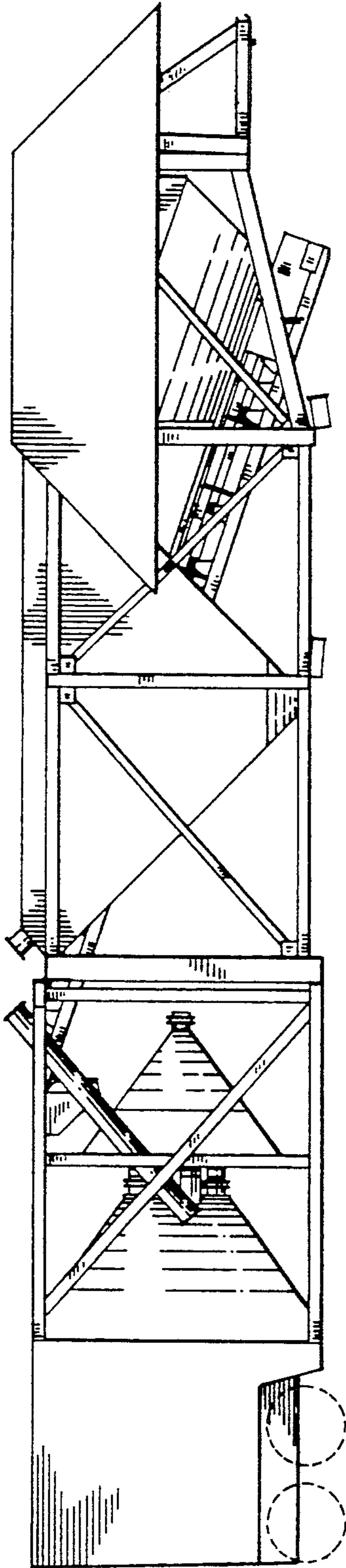


FIG. 5

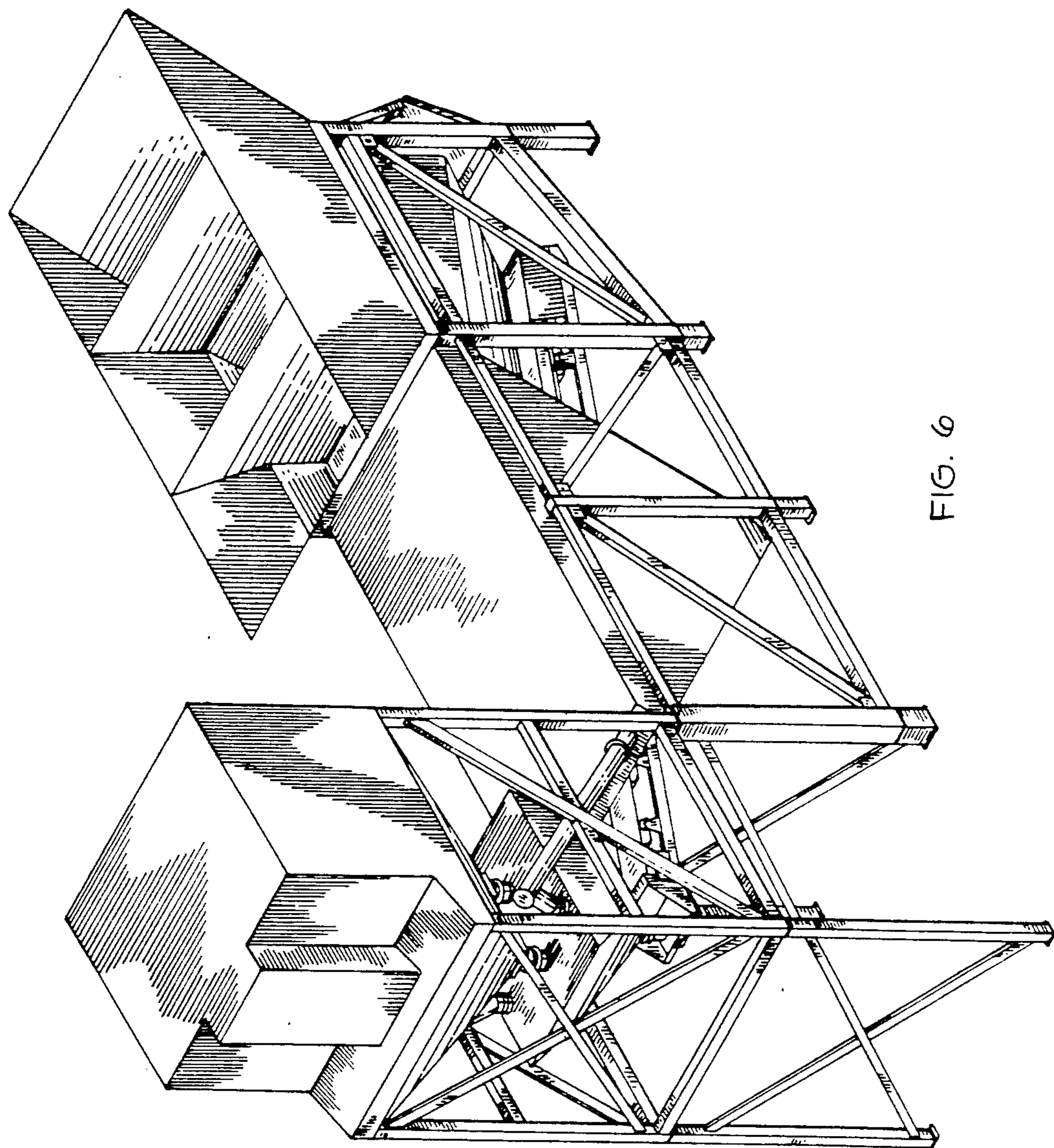


FIG. 6