



US00D327484S

United States Patent [19]

[11] Patent Number: **Des. 327,484**

Flenniken et al.

[45] Date of Patent: **** Jun. 30, 1992**

[54] **REAR DECK PANEL**

[75] Inventors: **John M. Flenniken**, Beaver Dam, Wis.; **William E. Crookes**, Waldwick, N.J.

[73] Assignee: **Deere & Company**, Moline, Ill.

[**] Term: **14 Years**

[21] Appl. No.: **471,242**

[22] Filed: **Jan. 26, 1990**

[52] U.S. Cl. **D15/17**

[58] Field of Search **D15/14-17, D15/28; 56/13.4, 16.7, 17.5, 202, 255, 294, 295, 320.1, 320.2**

Deere & Company, "John Deere Lawn & Garden Tractors 300/400 Series", 12 pages, Dec. 1988, USA.

Deere & Company, "John Deere Compact Tractors Under-40-hp", 20 pages, Aug. 1989, USA.

Deere & Company, "John Deere Suburban Tractors-FPX-30 and FPX-38", 4 pages, Dec. 1989, USA.

Deere & Company, "John Deere Lawn Tractors-100 Series", 8 pages, Dec. 1989, USA.

Deere & Company, "John Deere Riding Mowers", 16 pages, Dec. 1989, USA.

Primary Examiner—Bernard Ansher

Assistant Examiner—Sandra Morris

[57] **CLAIM**

The ornamental design for a rear deck panel, as shown and described.

[56] **References Cited**

U.S. PATENT DOCUMENTS

D. 280,729 9/1985 Paternostro D15/17

D. 311,742 10/1990 Splittstoesser D15/15

OTHER PUBLICATIONS

Ariens Tractors, dated Jul. 25, 1988. p. 3 tractor, left side.

Deere & Company. "John Deere Front Mowers", 16 pages, Dec. 1987, USA.

DESCRIPTION

FIG. 1 is a perspective view of a rear deck panel, showing our new design, the broken line showing of the mower is for illustrative purposes only, and forms no part of the claimed design;

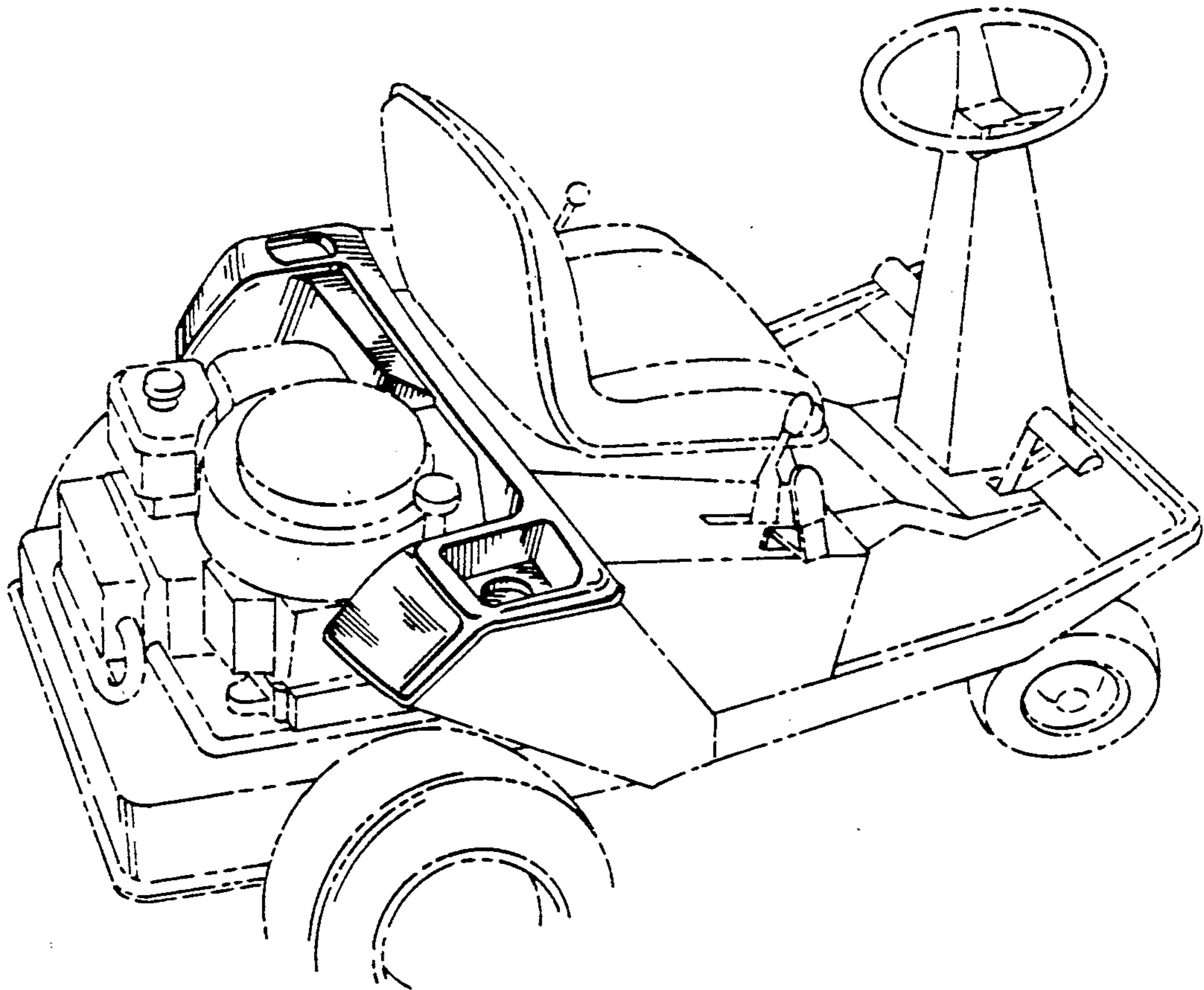
FIG. 2 is a left side elevational view thereof;

FIG. 3 is a right side elevational view thereof;

FIG. 4 is a top plan view thereof;

FIG. 5 is a front elevational view thereof; and,

FIG. 6 is a rear perspective view thereof.



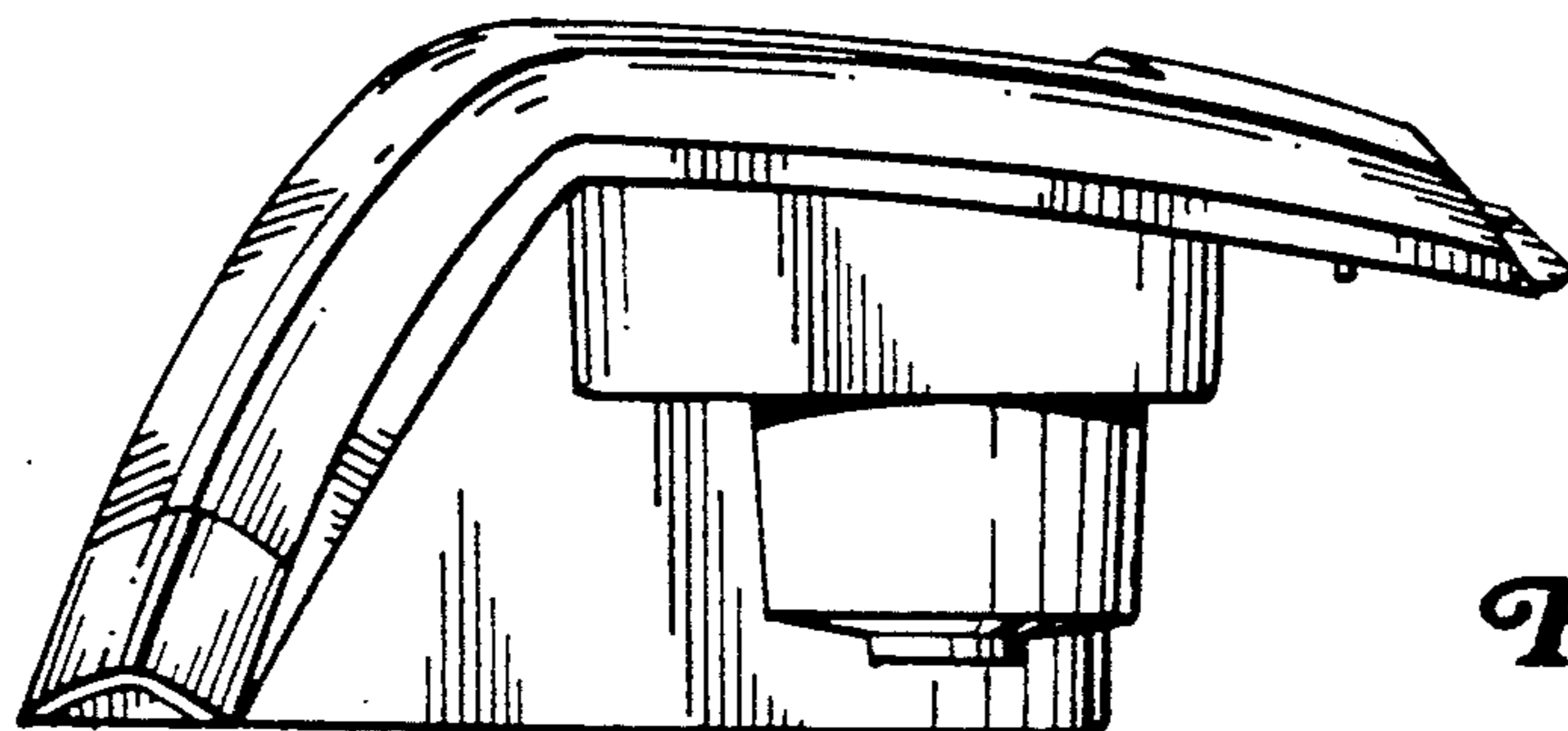


Fig. 3

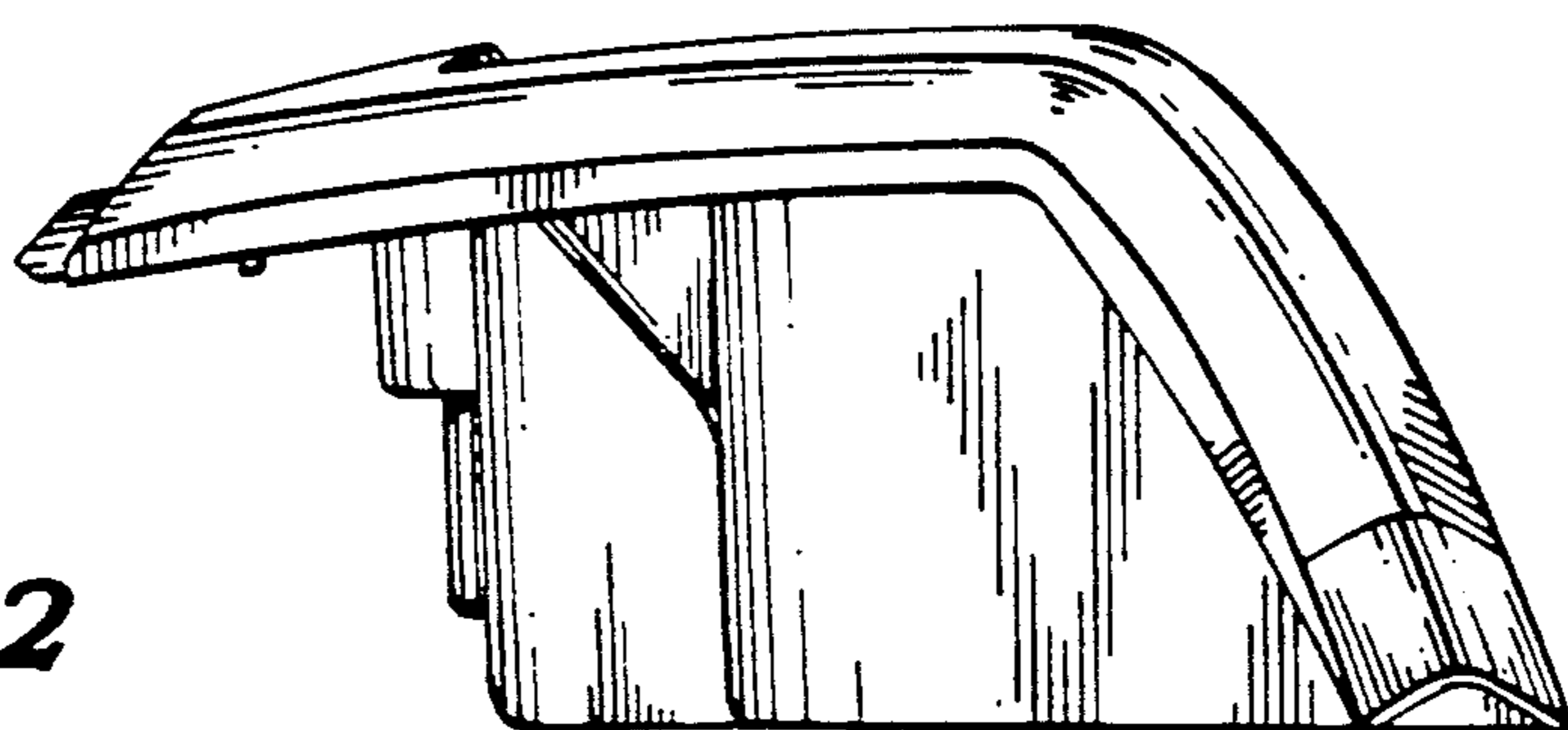


Fig. 2

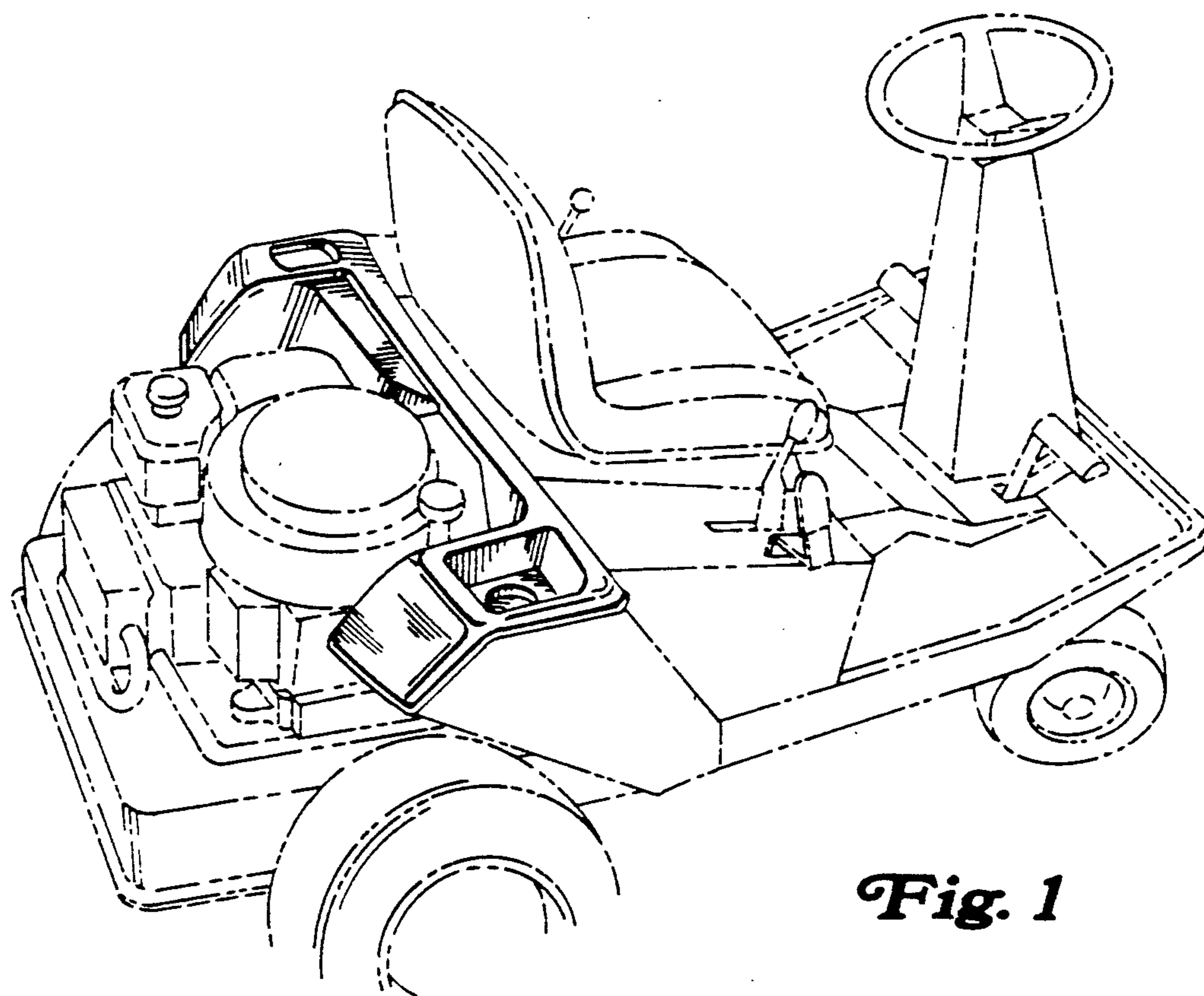


Fig. 1

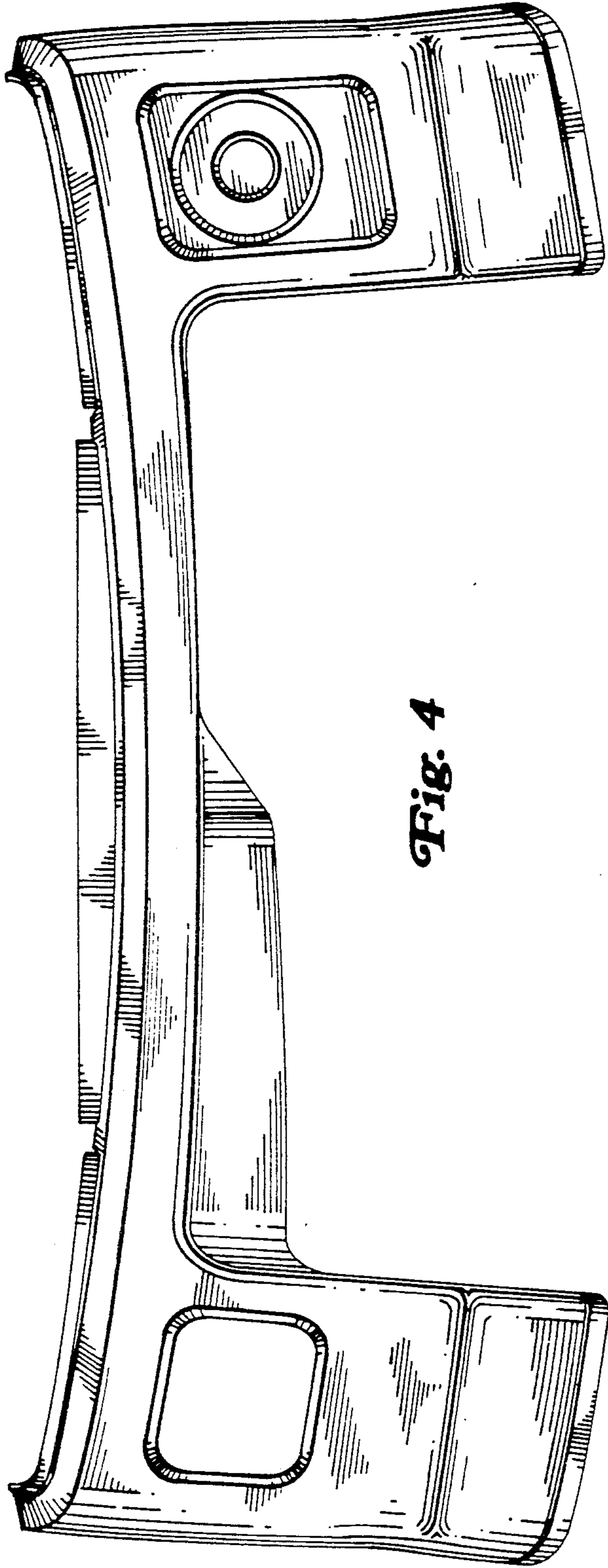


Fig. 4

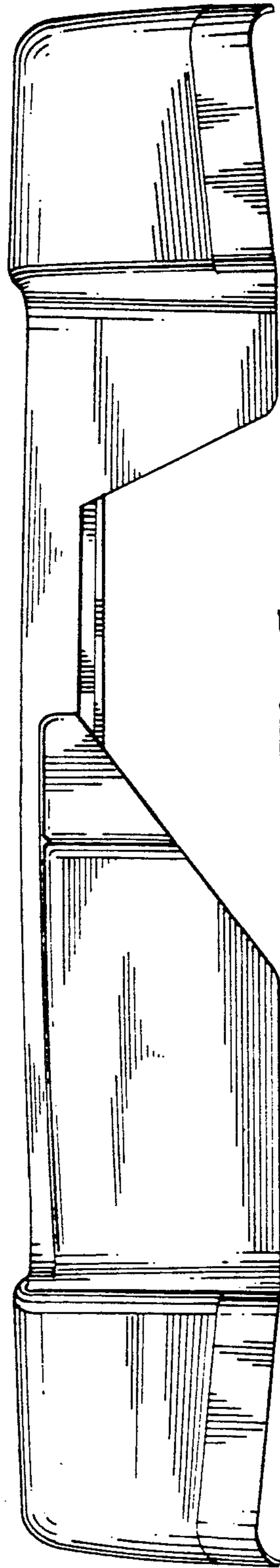


Fig. 5

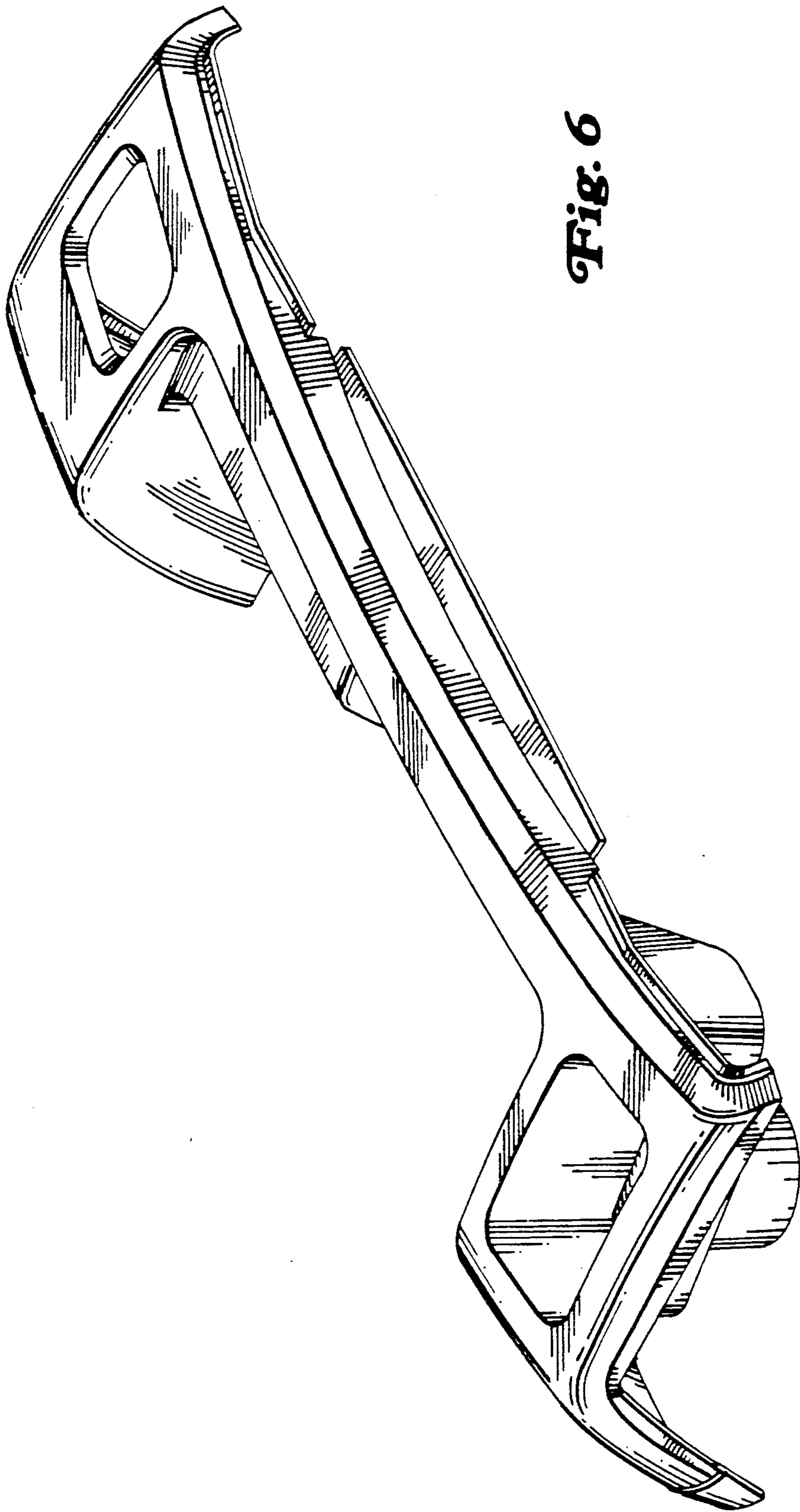


Fig. 6