



US00D327483S

United States Patent [19]

Kwong

[11] **Patent Number: Des. 327,483**

[45] **Date of Patent: ** Jun. 30, 1992**

[54] **GRASS CUTTER**

[75] **Inventor: Wong Y. Kwong, Kwai Chung, Hong Kong**

[73] **Assignee: Dorlop Industrial Ltd., Kwai Chung, Hong Kong**

[**] **Term: 14 Years**

[21] **Appl. No.: 388,469**

[22] **Filed: Aug. 2, 1989**

[30] **Foreign Application Priority Data**

Apr. 4, 1989 [GB] United Kingdom 1058378

[52] **U.S. Cl. D15/16**

[58] **Field of Search D15/10, 12, 16, 18, D15/28, 29; 30/276, 318, 388, 390, DIG. 5; 56/12.7, 234, 237, 239, 240, 249, 255, 289, 295, 297, DIG. 20**

[56] **References Cited**

U.S. PATENT DOCUMENTS

- D. 265,826 8/1982 Holmstadt et al. D15/12
- D. 303,671 9/1989 Kiyooka D15/10
- D. 308,210 5/1990 Kiyooka et al. D15/10

- 4,286,675 9/1981 Tuggle 56/12.7
- 4,451,983 6/1984 Johnson et al. 56/12.7
- 4,856,194 8/1989 Lee 56/12.7
- 4,916,886 4/1990 Nakamura et al. 56/12.7

OTHER PUBLICATIONS

Toro Lawn-Garden Cat. ©1983, p. 19 model TC650, lower right.

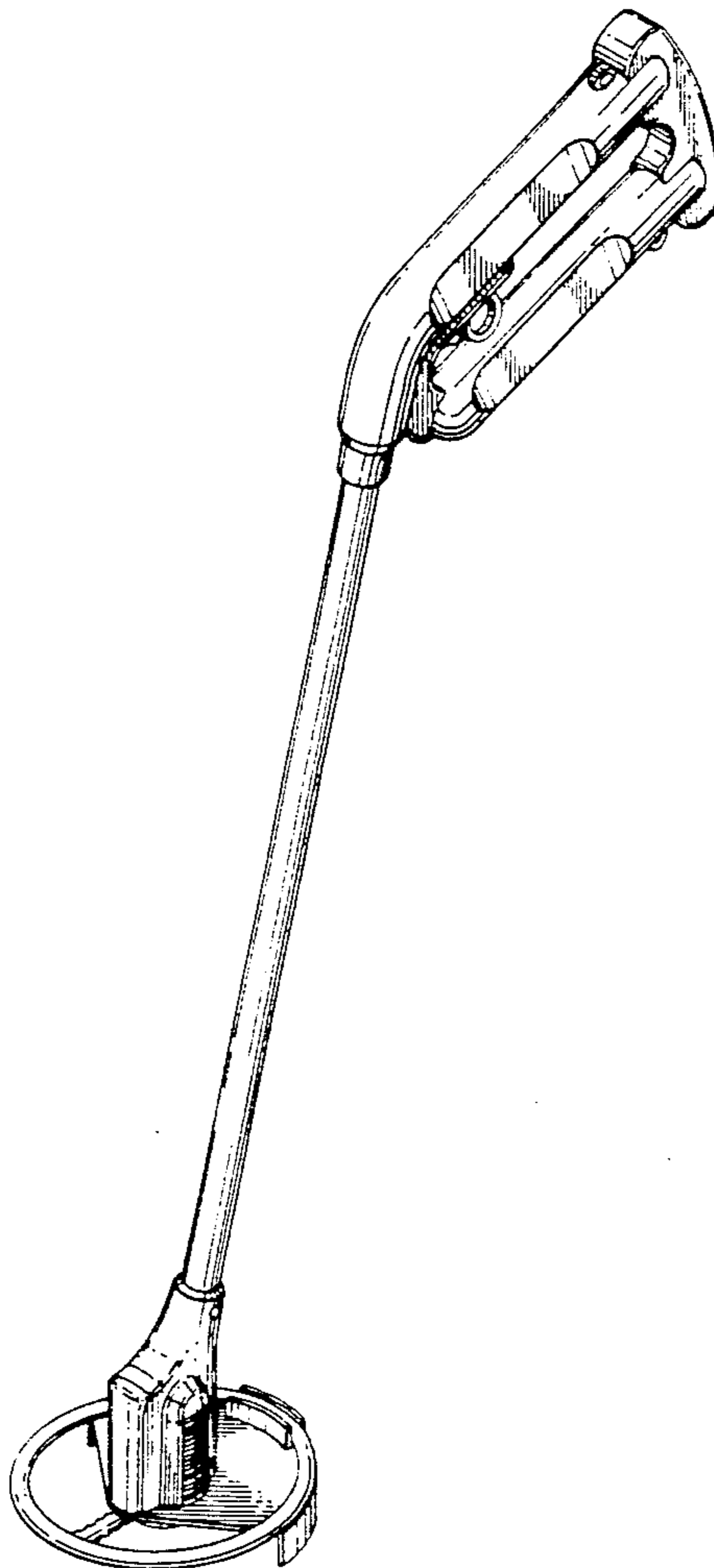
Primary Examiner—Bernard Ansher
Assistant Examiner—Sandra Morris
Attorney, Agent, or Firm—Nikaido, Marmelstein, Murray & Oram

[57] **CLAIM**

The ornamental design for a grass cutter, as shown.

DESCRIPTION

FIG. 1 is a right side perspective view of a grass cutter showing my new design;
FIG. 2 is a right side elevational view thereof;
FIG. 3 is a left side elevational view thereof;
FIG. 4 is a front elevational view thereof;
FIG. 5 is a rear elevational view thereof;
FIG. 6 is a top plan view thereof; and,
FIG. 7 is a bottom plan view thereof.



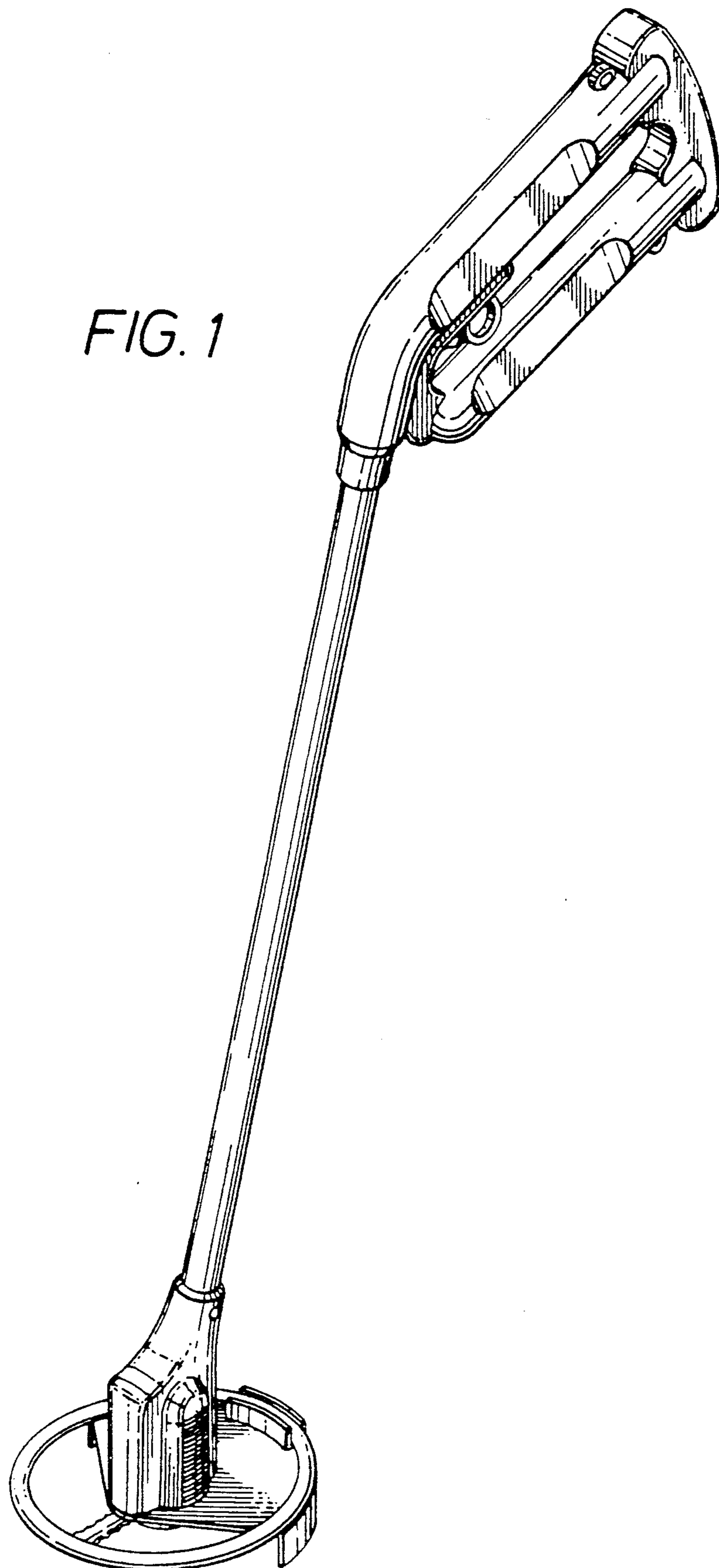
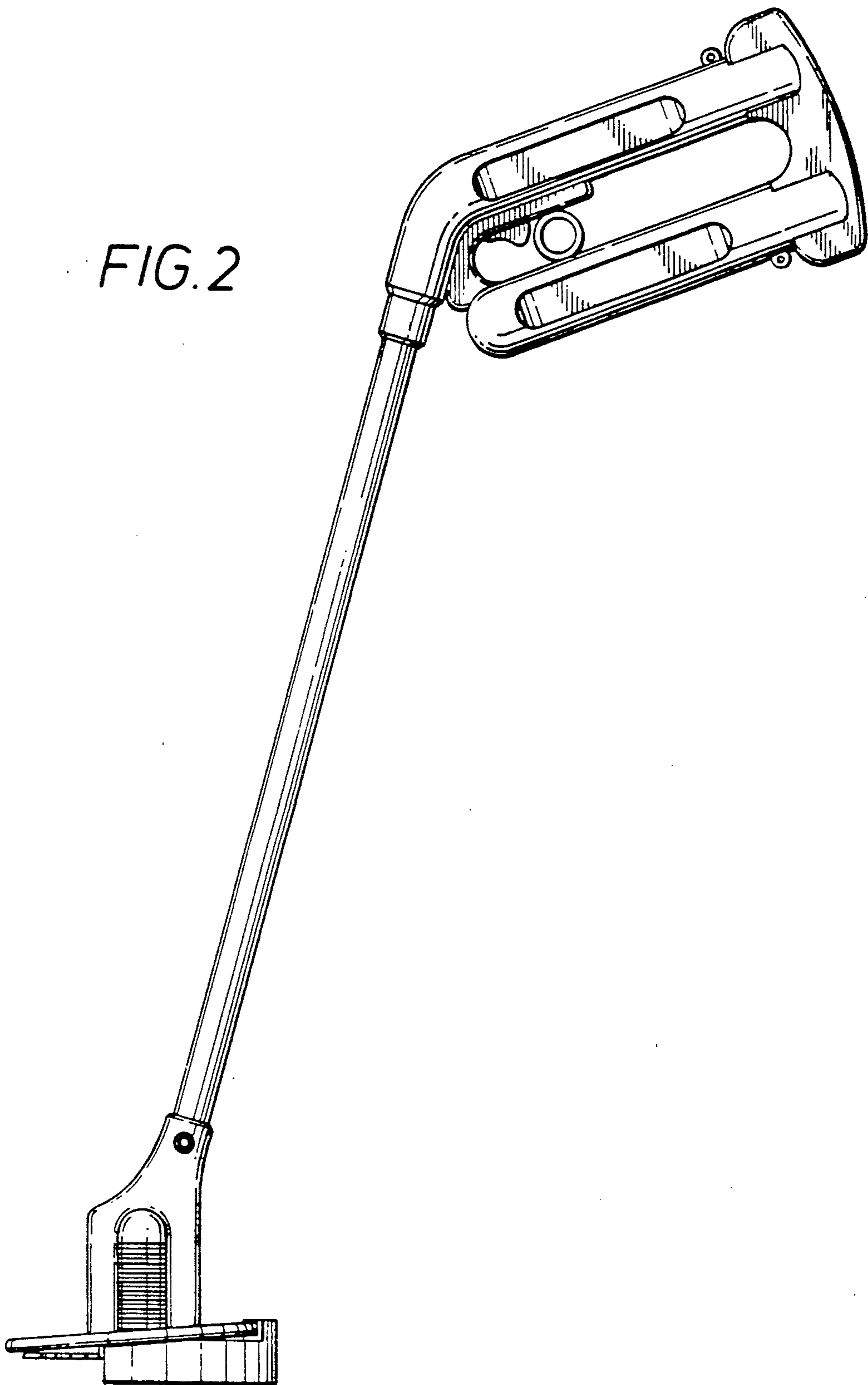


FIG. 1

FIG. 2



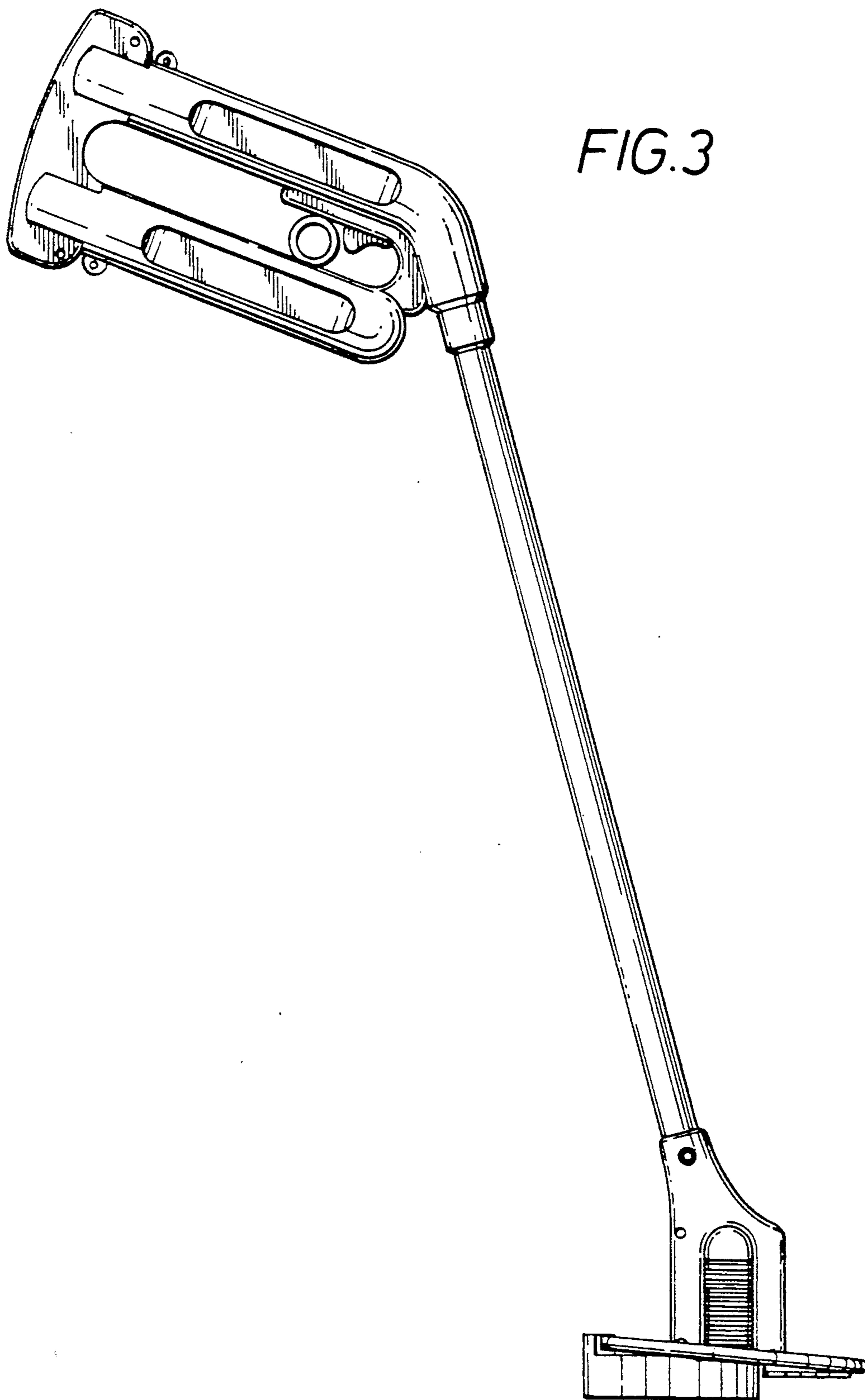


FIG. 4

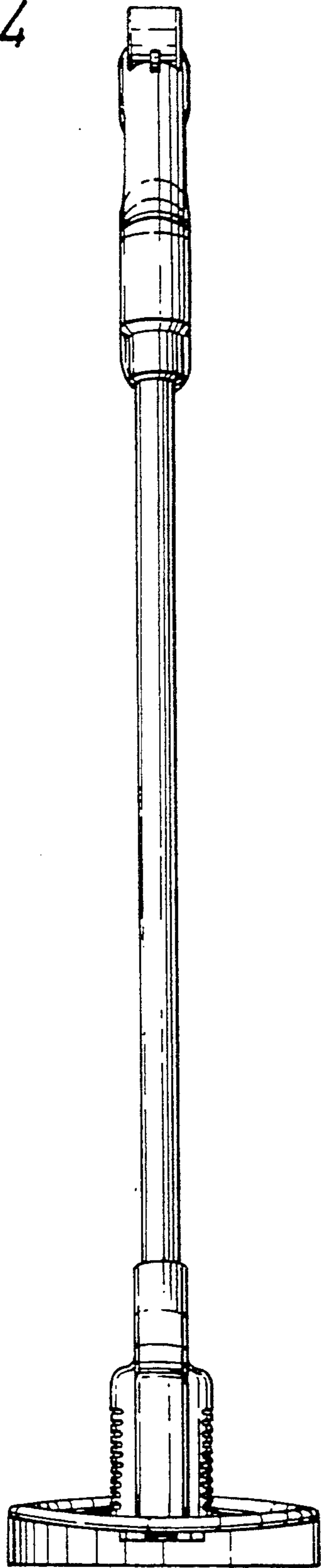


FIG. 5

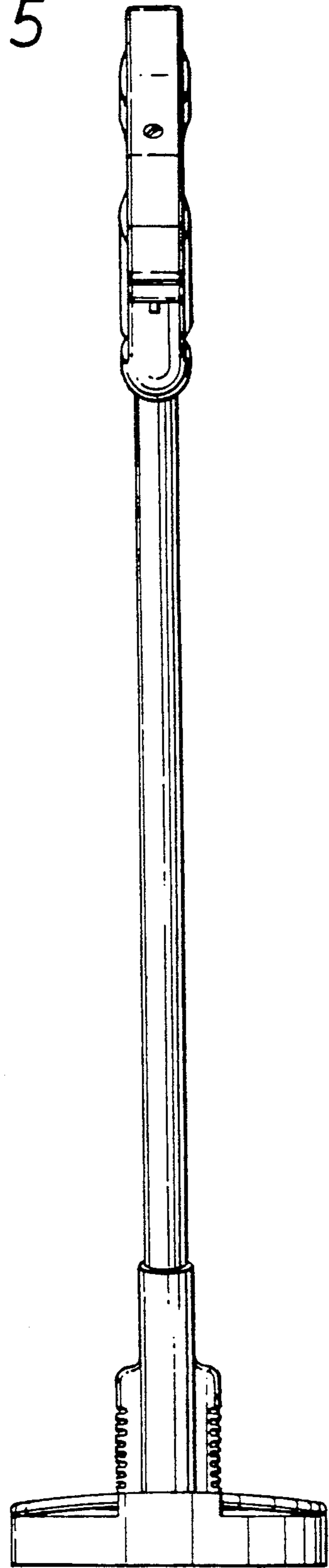


FIG. 6

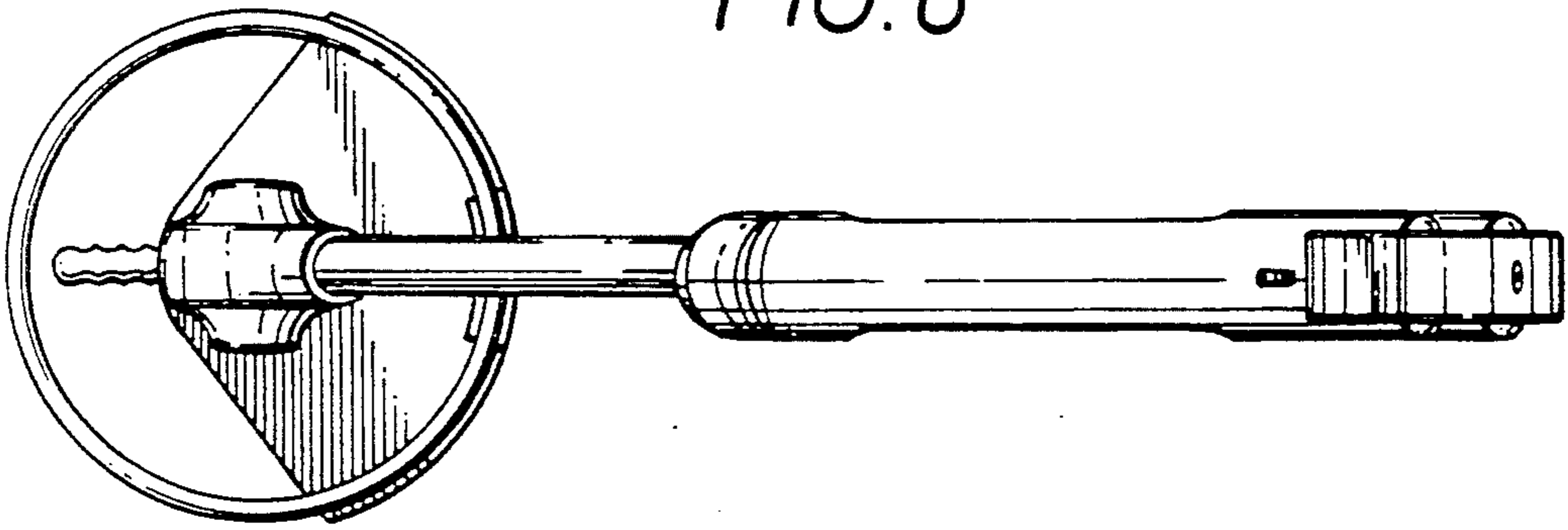


FIG. 7

