



US00D327479S

United States Patent [19]
Britz

[11] Patent Number: Des. 327,479

[45] Date of Patent: ** Jun. 30, 1992

[54] CONFERENCE MICROPHONE

[75] Inventor: David M. Britz, Rumson, N.J.

[73] Assignee: AT&T Bell Laboratories, Murray Hill, N.J.

[**] Term: 14 Years

[21] Appl. No.: 593,940

[22] Filed: Oct. 1, 1990

[52] U.S. Cl. D14/225

[58] Field of Search D14/225-229,
D14/129; 381/91, 122, 155, 159, 168, 169, 170;
379/420, 444

[56] References Cited

U.S. PATENT DOCUMENTS

D. 257,346	10/1980	Garrigus et al.	D14/228
D. 283,891	5/1986	Parshad et al.	D14/228
4,658,425	4/1987	Julstrum	381/81

OTHER PUBLICATIONS

TELECONNECT. "The Shure ST3000 System" by Dorian Benkoil, Jun. 1986, p. AL865.

Primary Examiner—Charles A. Rademaker
Attorney, Agent, or Firm—Samuel R. Williamson

[57] CLAIM

The ornamental design of a conference microphone, as shown and described.

DESCRIPTION

FIG. 1 is a front perspective view of a conference microphone showing my new design;

FIG. 2 is a front elevational view thereof;

FIG. 3 is a side elevational view thereof the side opposite being substantially a mirror image;

FIG. 4 is a top plan view thereof;

FIG. 5 is a bottom plan view thereof; and

FIG. 6 is a top perspective view of a modified embodiment of the design shown in FIGS. 1 through 5.

The broken lines in FIGS. 1 through 4 and 6 represent environment only and form no part of the claimed design.

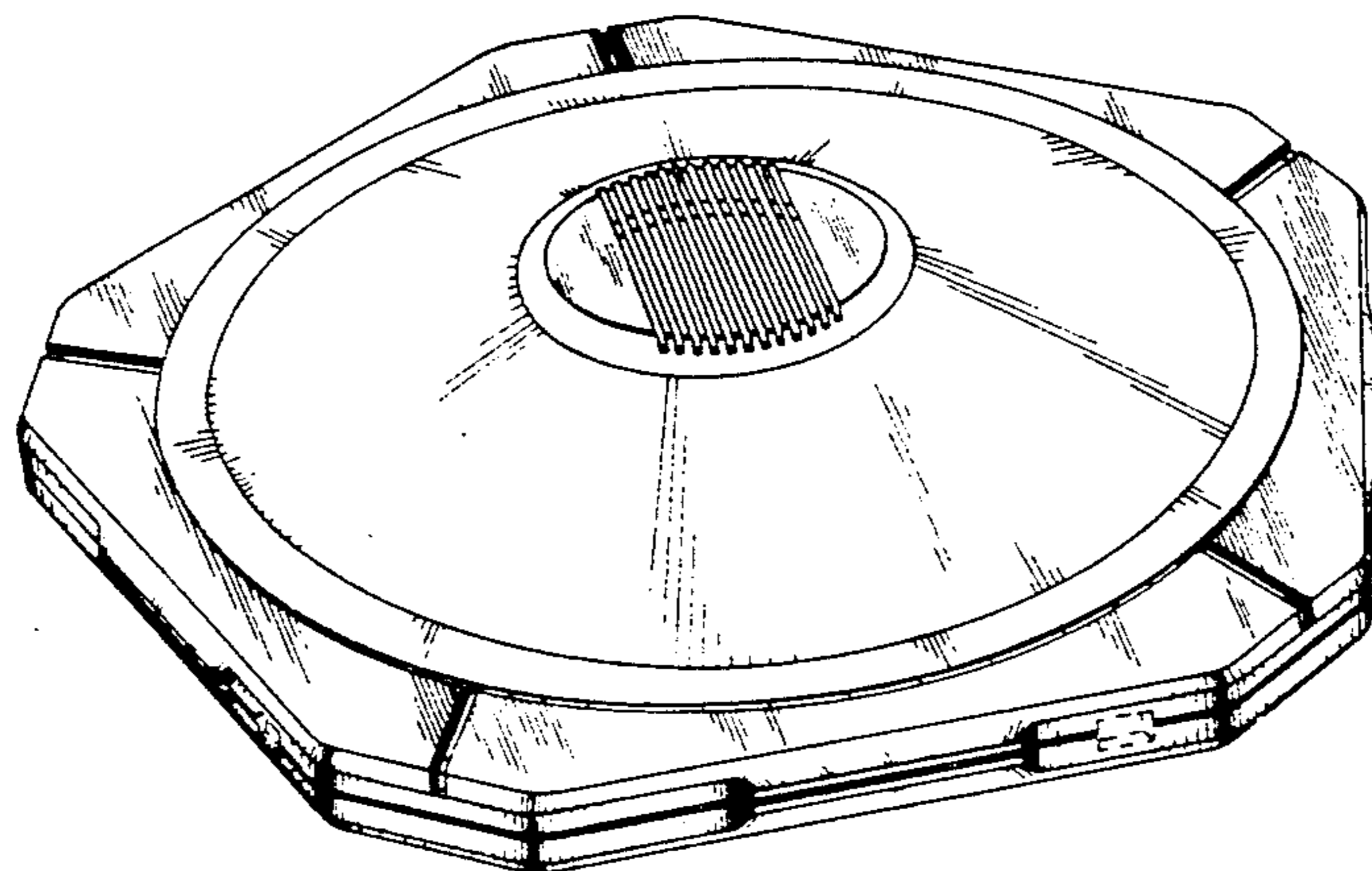
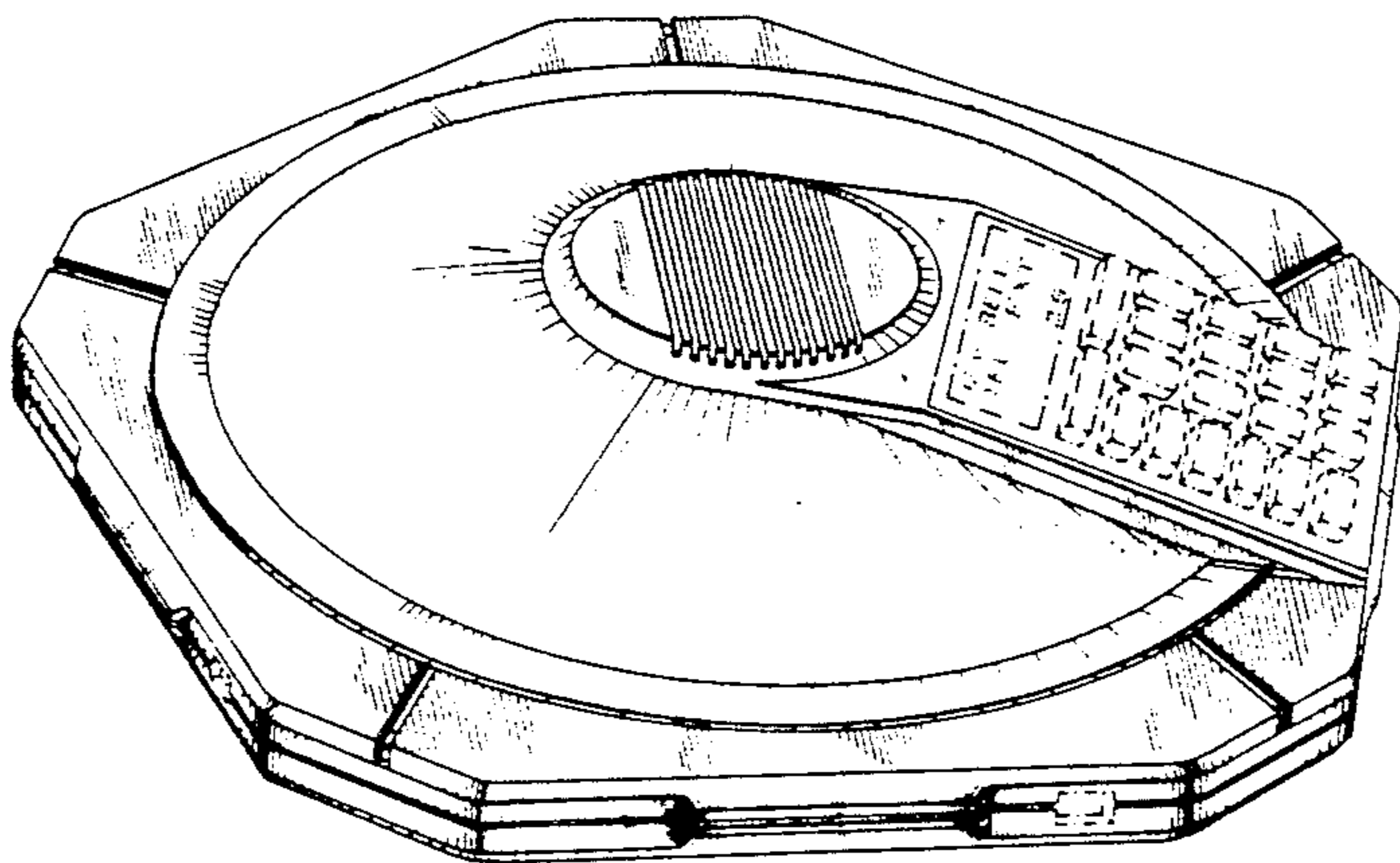


FIG. 1

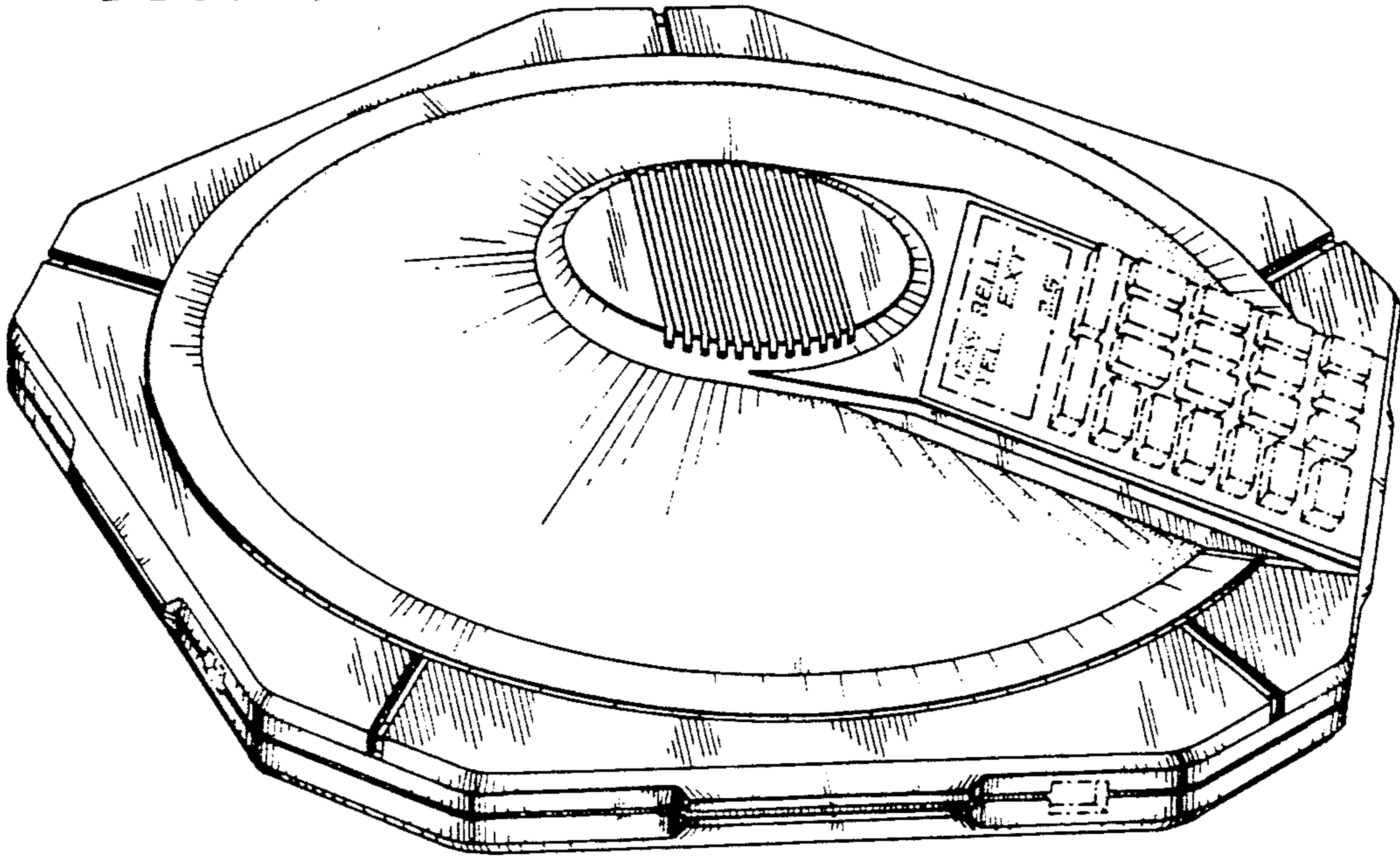


FIG. 2

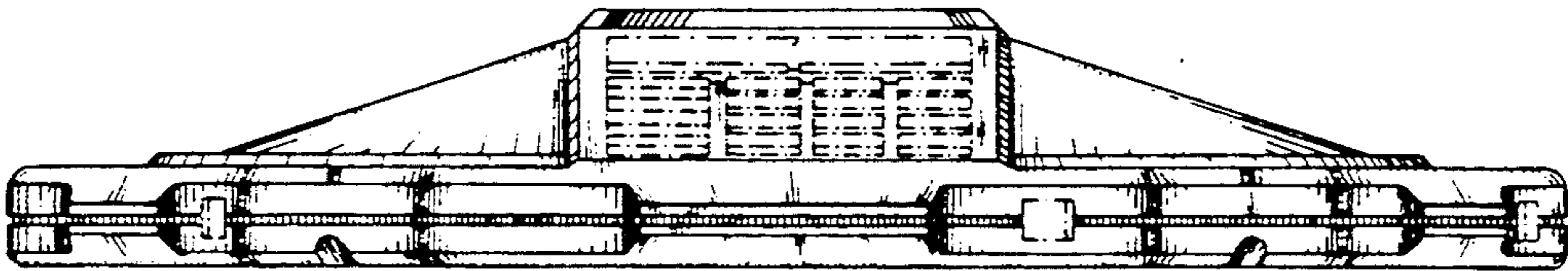


FIG. 3

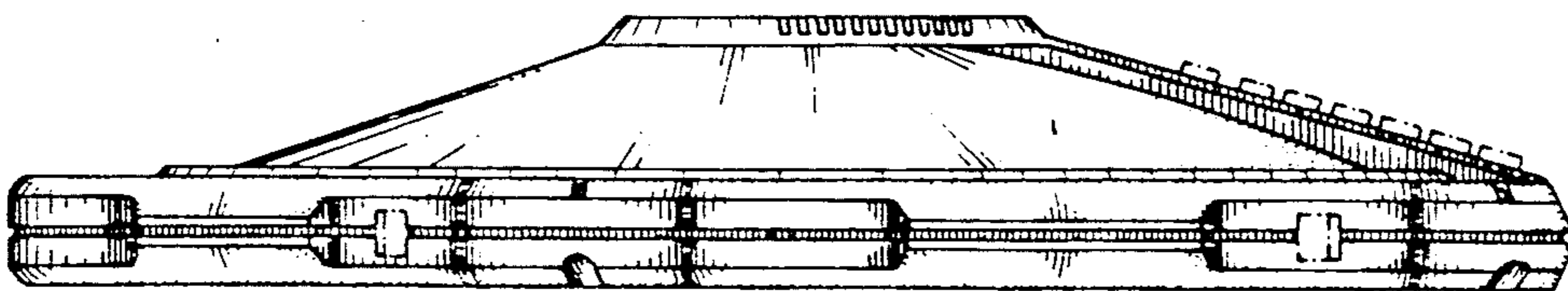


FIG. 4

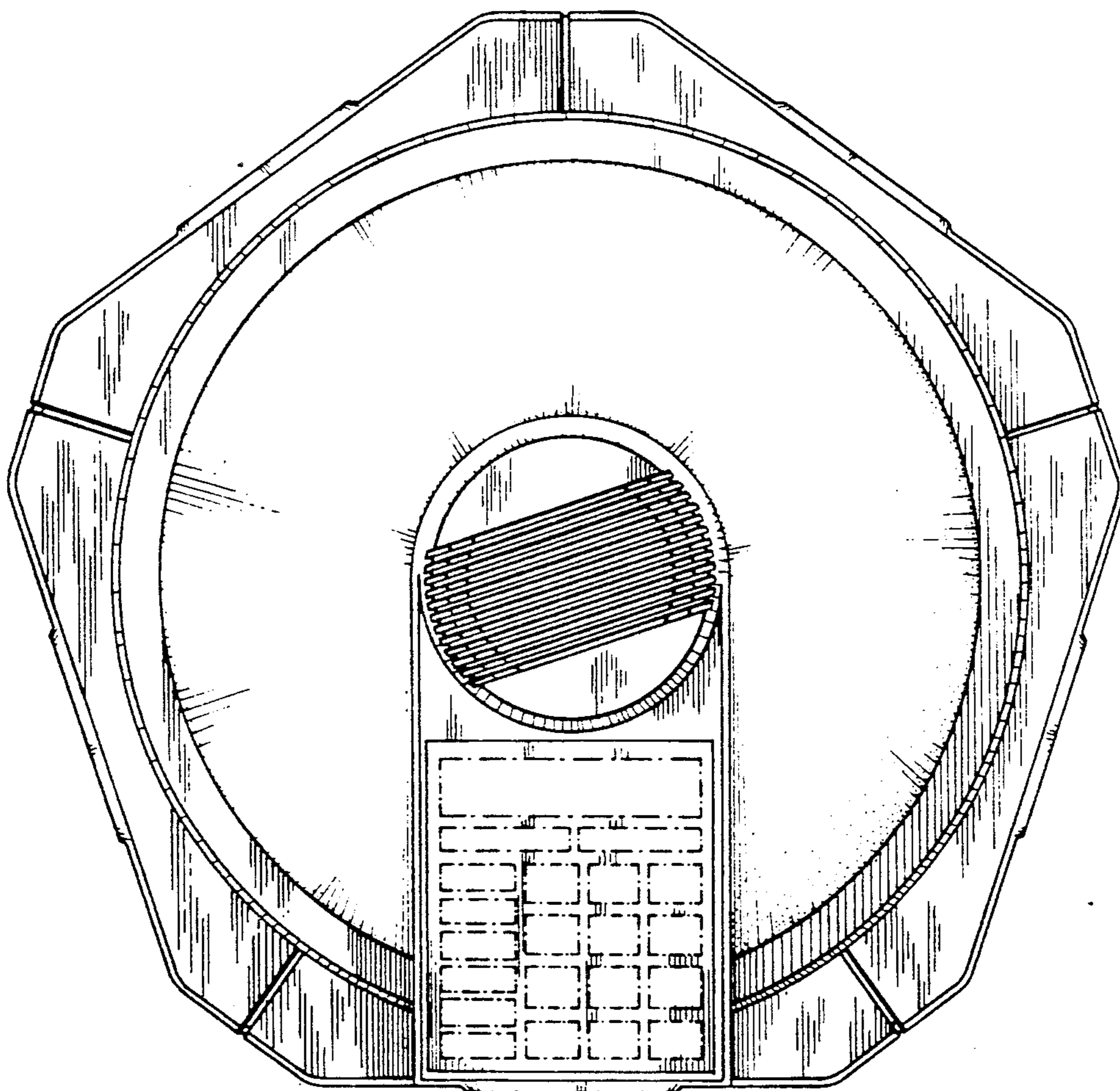


FIG. 5

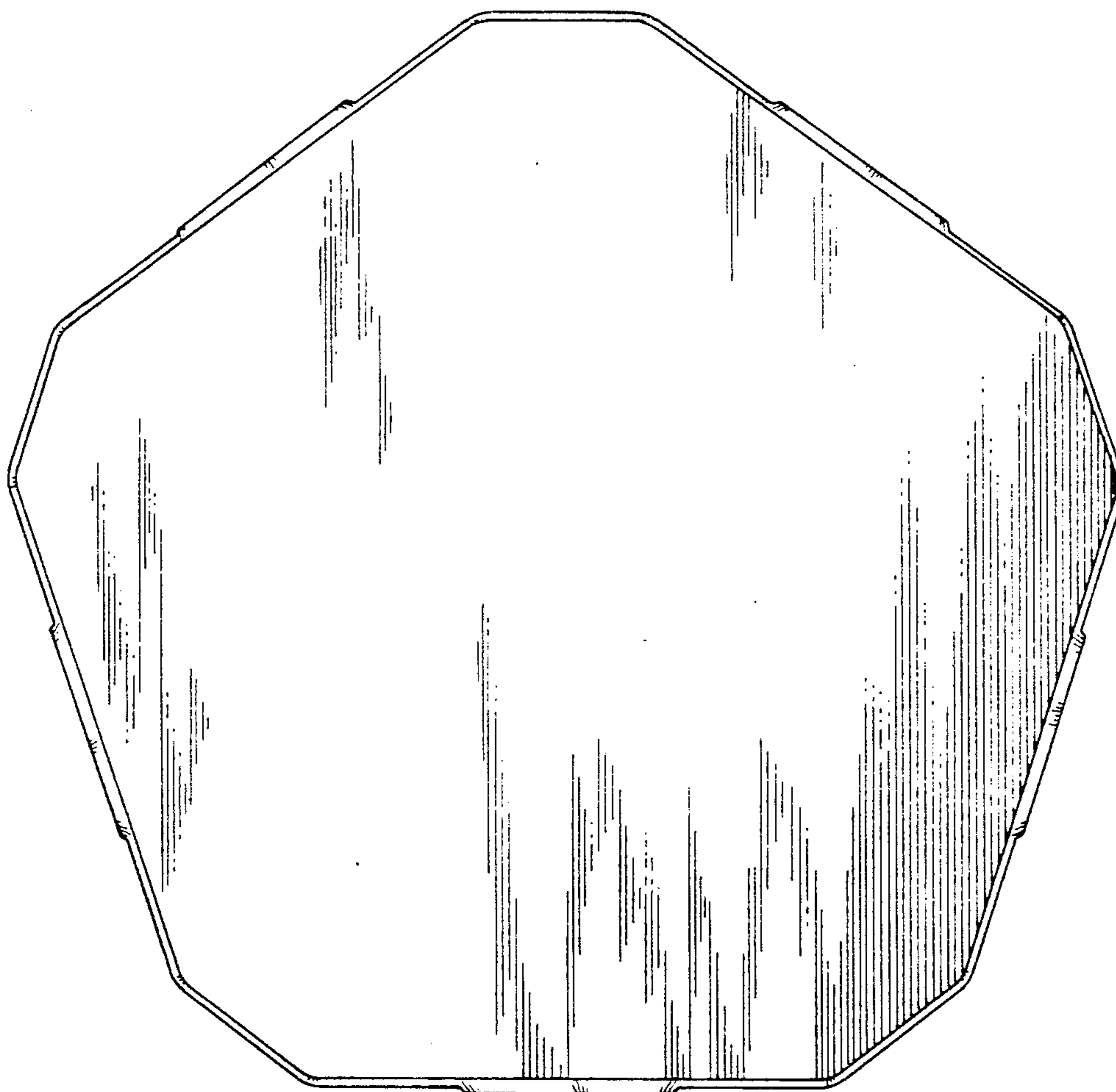


FIG. 6

