



US00D327474S

# United States Patent [19]

[11] Patent Number: **Des. 327,474**

Lee

[45] Date of Patent: **\*\* Jun. 30, 1992**

[54] **LAP TOP COMPUTER**

[75] Inventor: **Cheng-Chang Lee, Taipei, Taiwan**

[73] Assignee: **Acer Incorporated, Taiwan**

[\*\*] Term: **14 Years**

[21] Appl. No.: **496,496**

[22] Filed: **Mar. 20, 1990**

[52] U.S. Cl. .... **D14/106**

[58] Field of Search ..... **D14/100, 101, 106, 113, D14/115; D18/1, 7, 11, 12; 340/700, 706, 711, 712; 341/22, 23; 312/208; 235/145 A, 145 R; 364/708-710; 400/496, 677, 682**

[56] **References Cited**

**U.S. PATENT DOCUMENTS**

D. 250,588 12/1978 Mayer et al. .... D14/106  
D. 308,194 5/1990 Messerschmidt et al. .... D14/106

**FOREIGN PATENT DOCUMENTS**

747994 11/1988 Japan ..... D14/106

*Primary Examiner*—Wallace R. Burke

*Assistant Examiner*—Freda S. Nunn

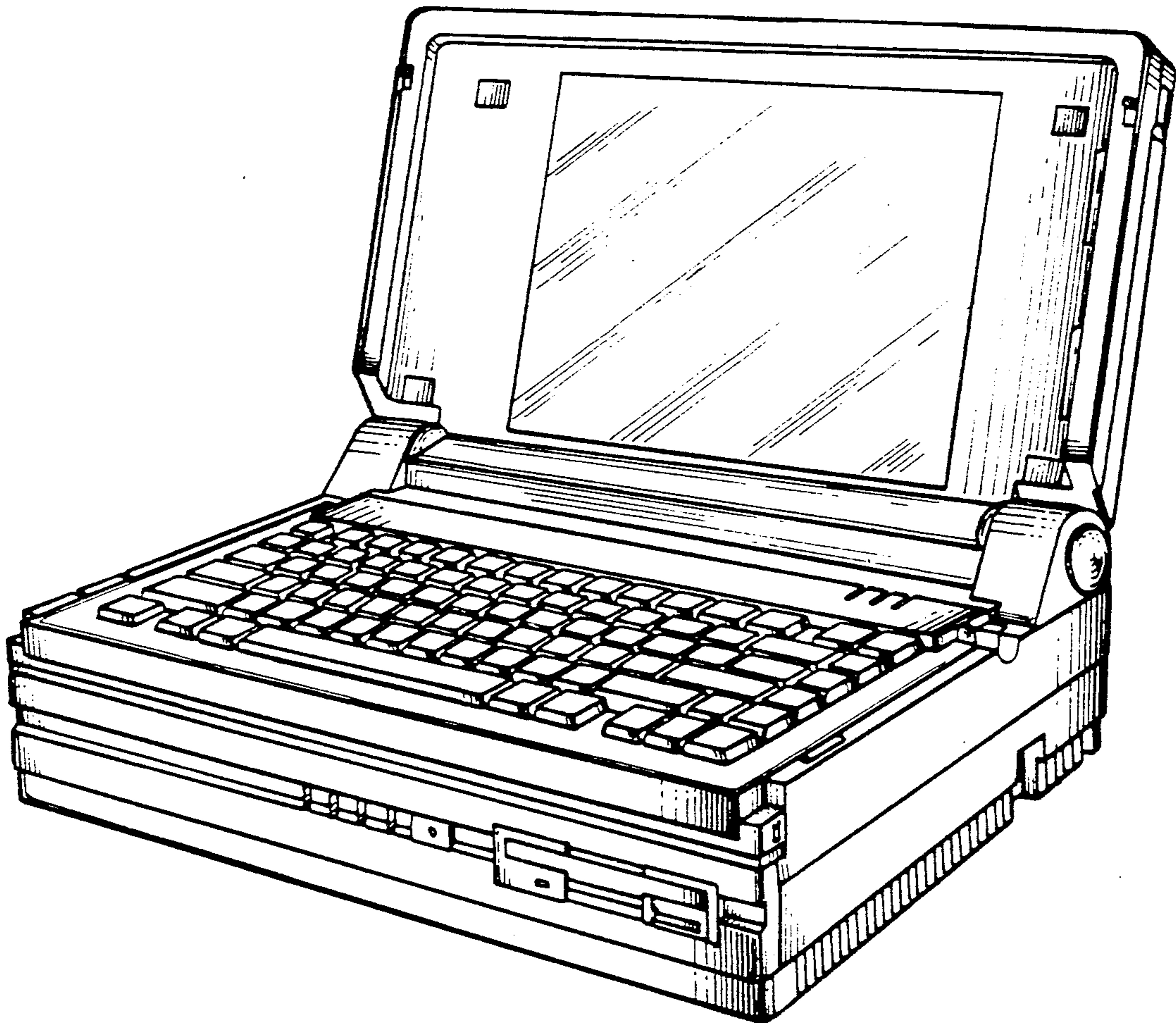
*Attorney, Agent, or Firm*—Greg T. Sueoka

[57] **CLAIM**

The ornamental design for a lap top computer, as shown and described.

**DESCRIPTION**

FIG. 1 is a reduced perspective view of a lap top computer showing my new design in the opened position; FIG. 2 is a rear elevational view thereof; FIG. 3 is a front elevational view thereof; FIG. 4 is a top plan view thereof; FIG. 5 is a bottom plan view thereof; FIG. 6 is a right side elevational view thereof; FIG. 7 is a left side elevational view thereof; FIG. 8 is a reduced perspective view thereof in the closed position; FIG. 9 is a front elevational view thereof; FIG. 10 is a rear elevational view thereof; FIG. 11 is a top plan view thereof; FIG. 12 is a bottom plan view thereof; FIG. 13 is a right side elevational view thereof; FIG. 14 is a left side elevational view thereof; FIG. 15 is a right side elevational view thereof similar to FIG. 6 showing the display window lowered and in the opened position; and, FIG. 16 is a left side elevational view thereof.



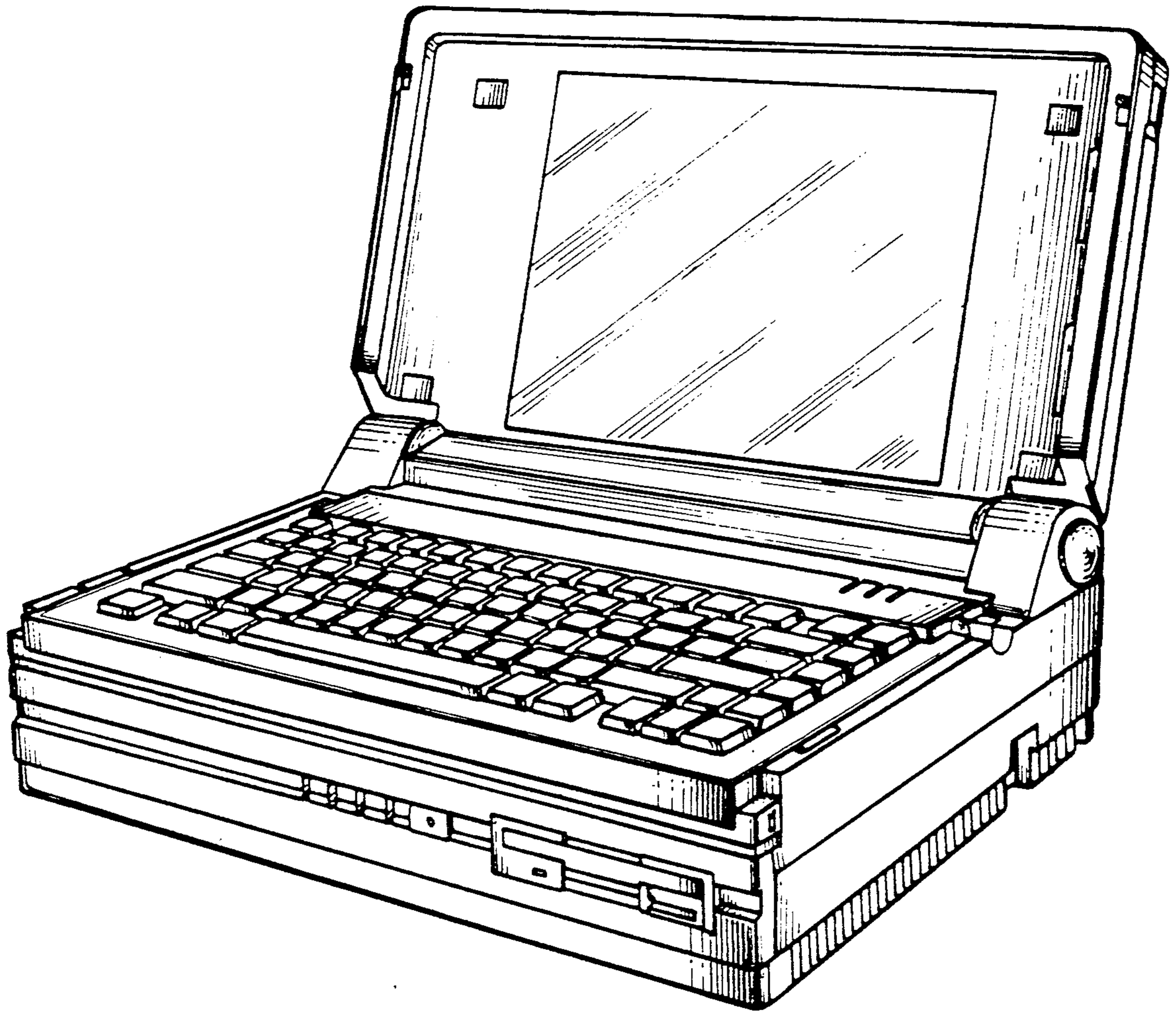


Figure 1

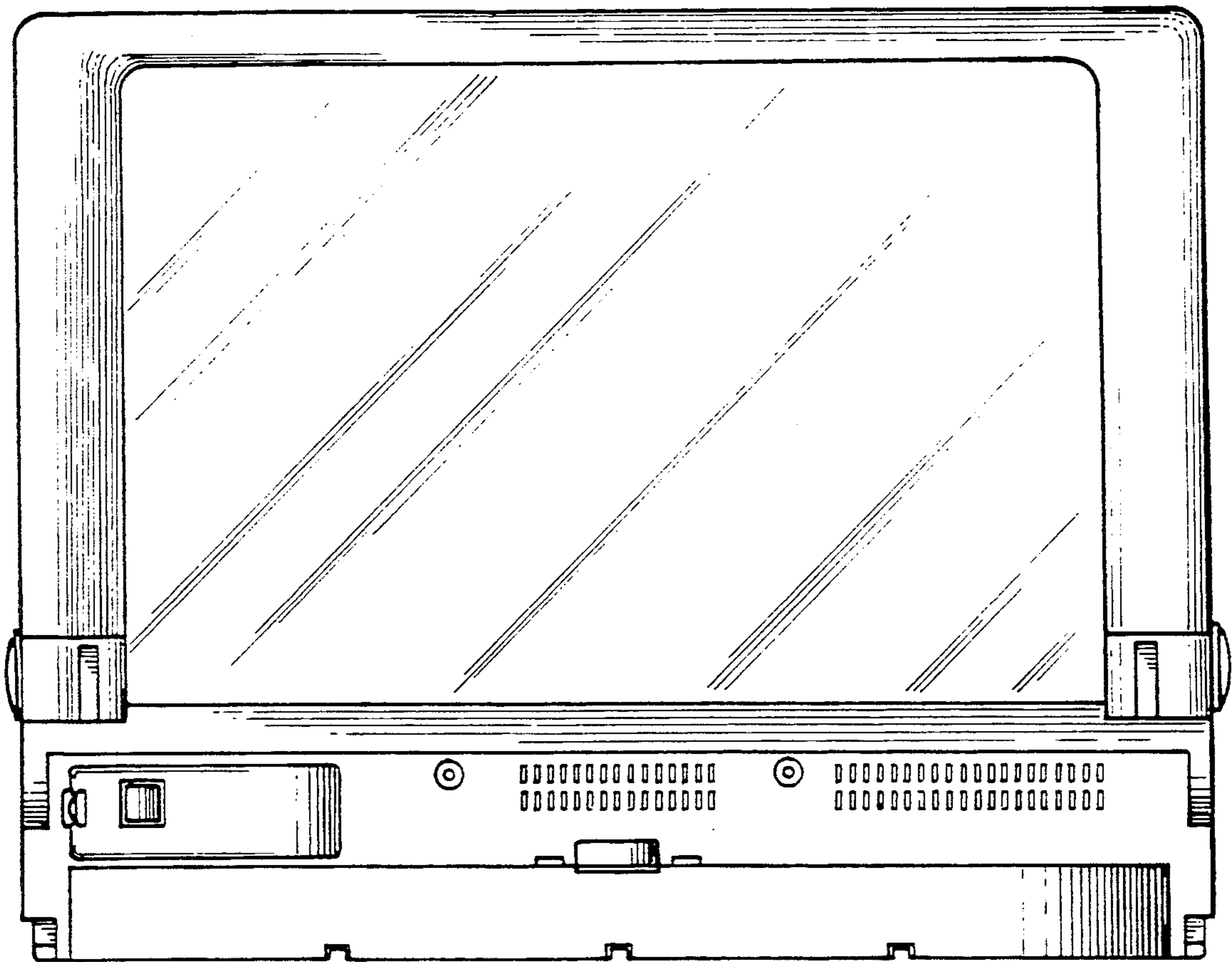


Figure 2

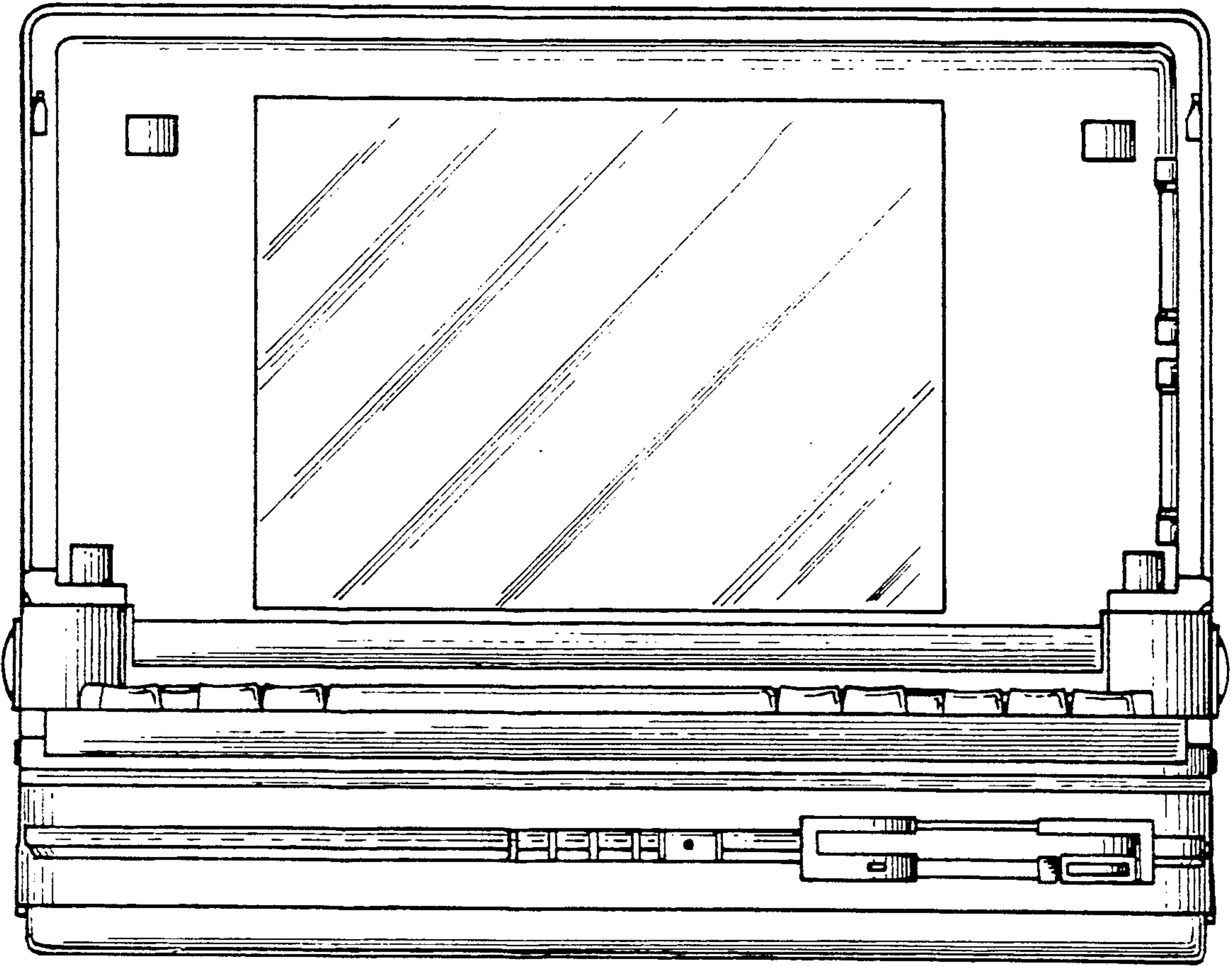


Figure 3

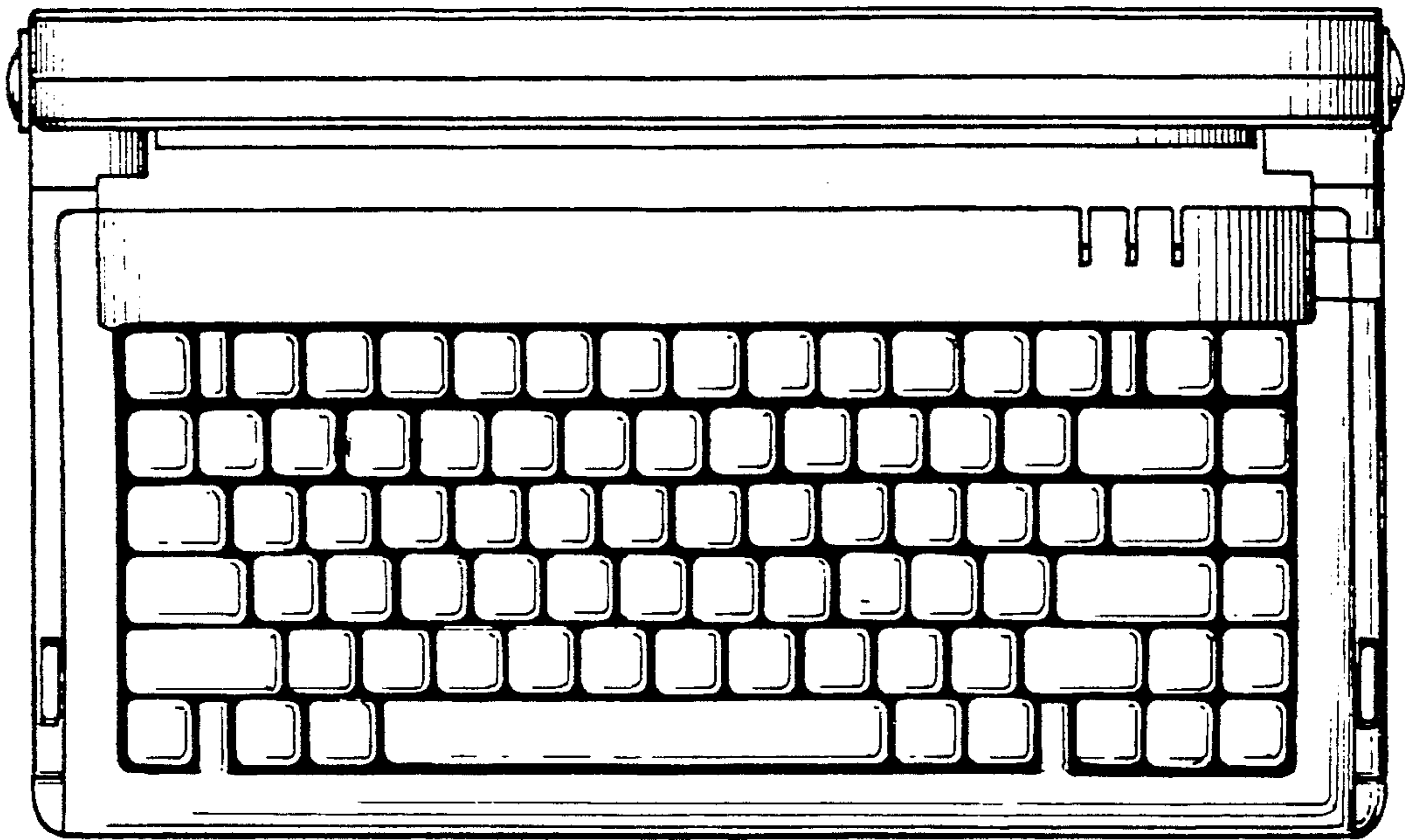


Figure 4

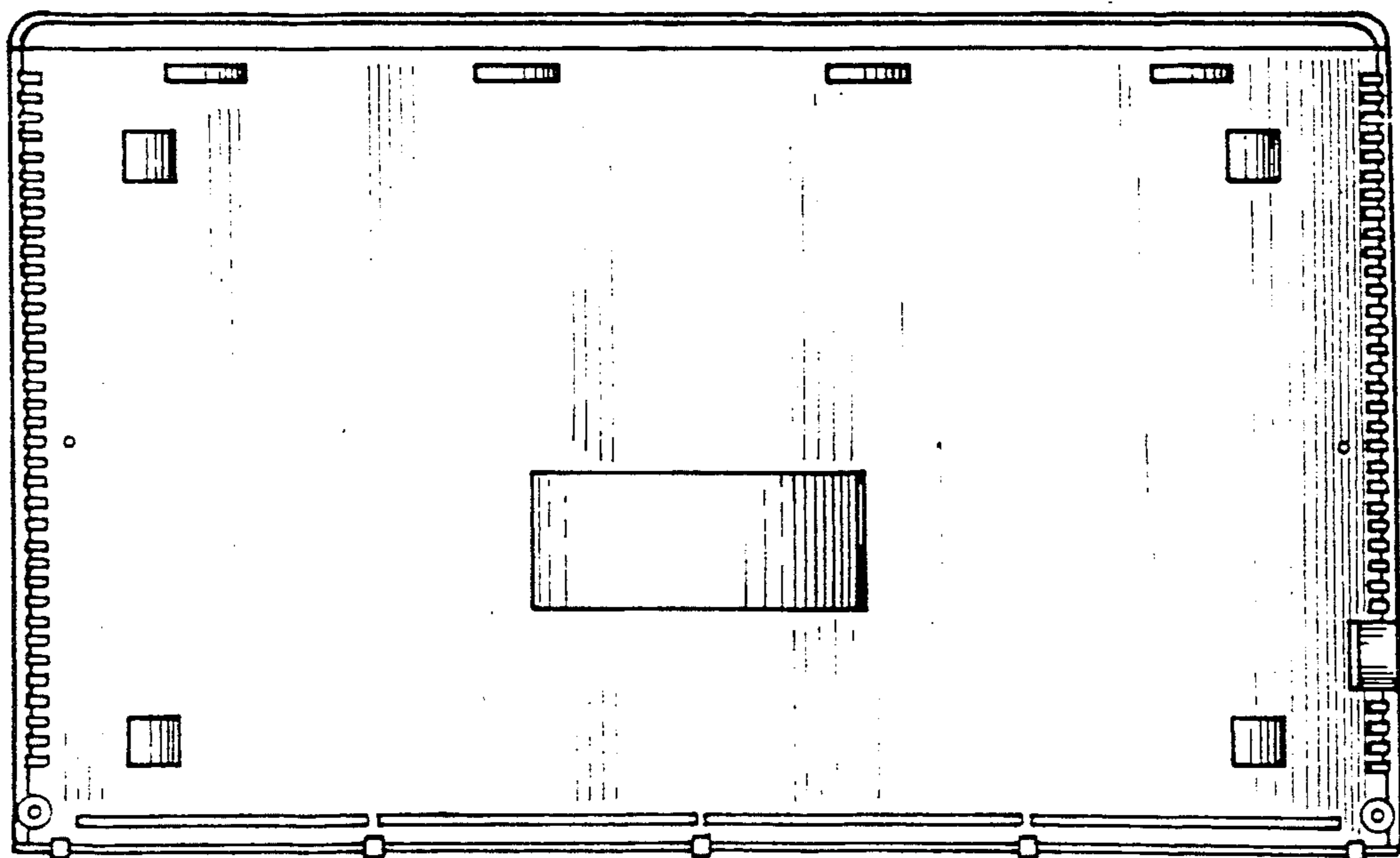


Figure 5

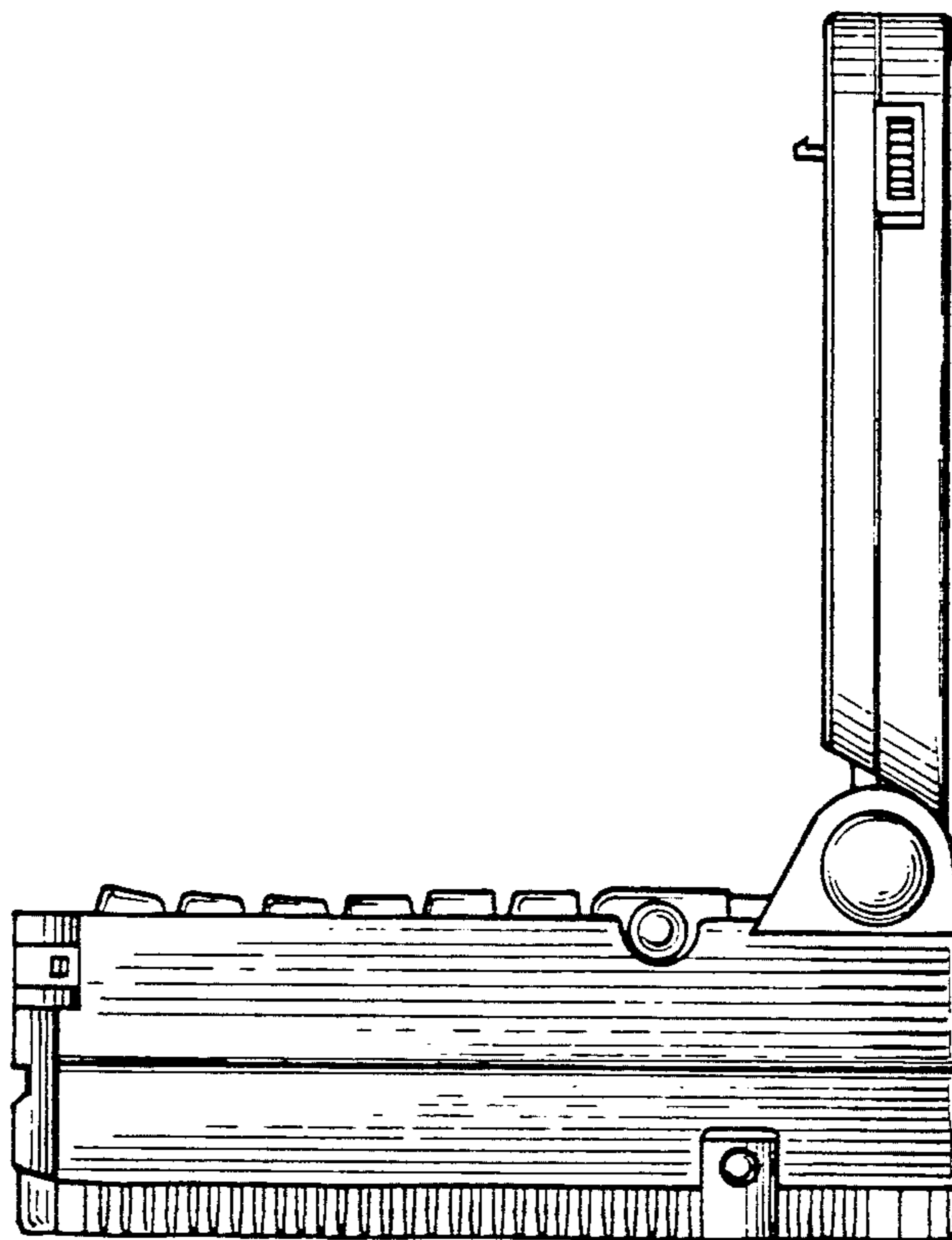


Figure 6

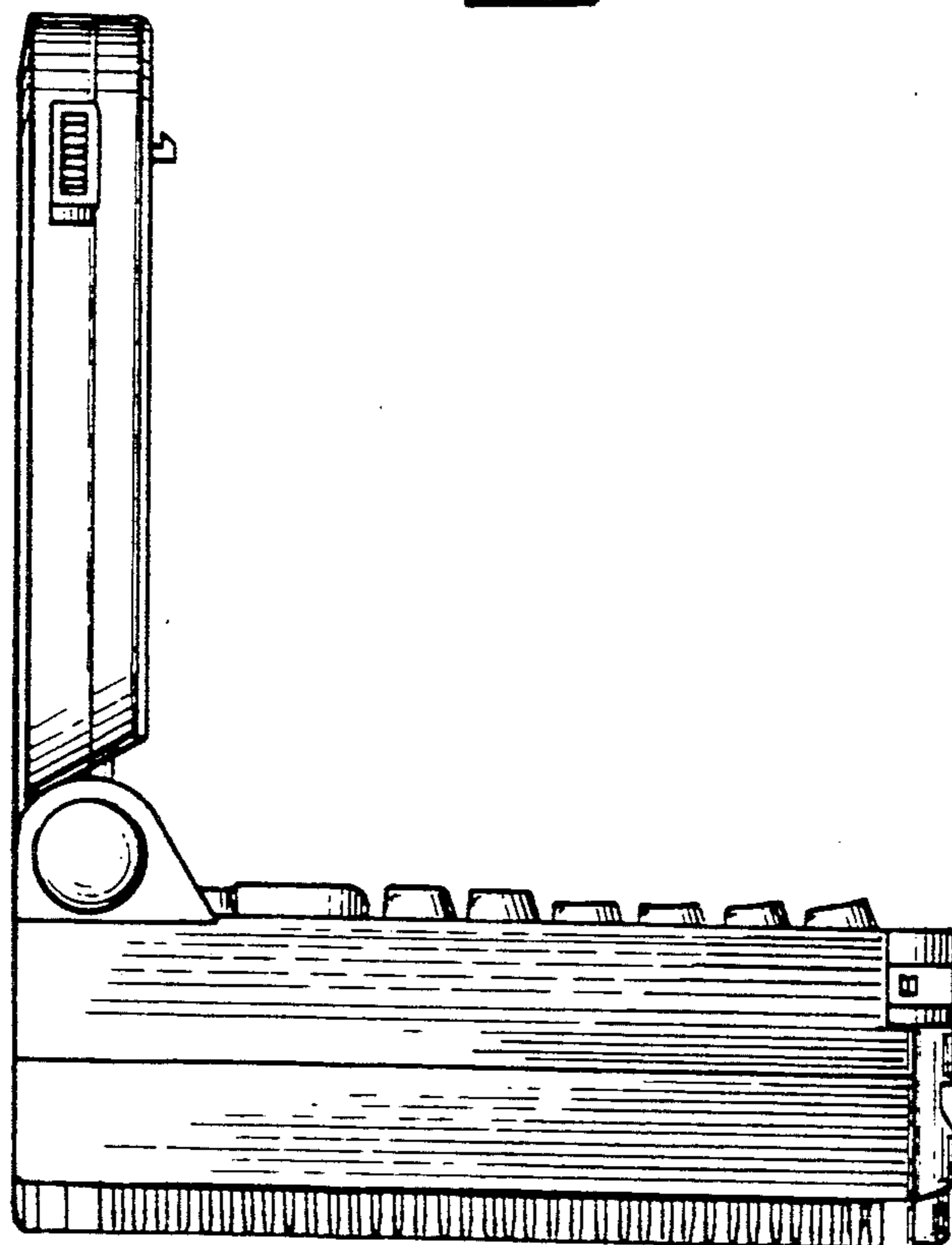


Figure 7

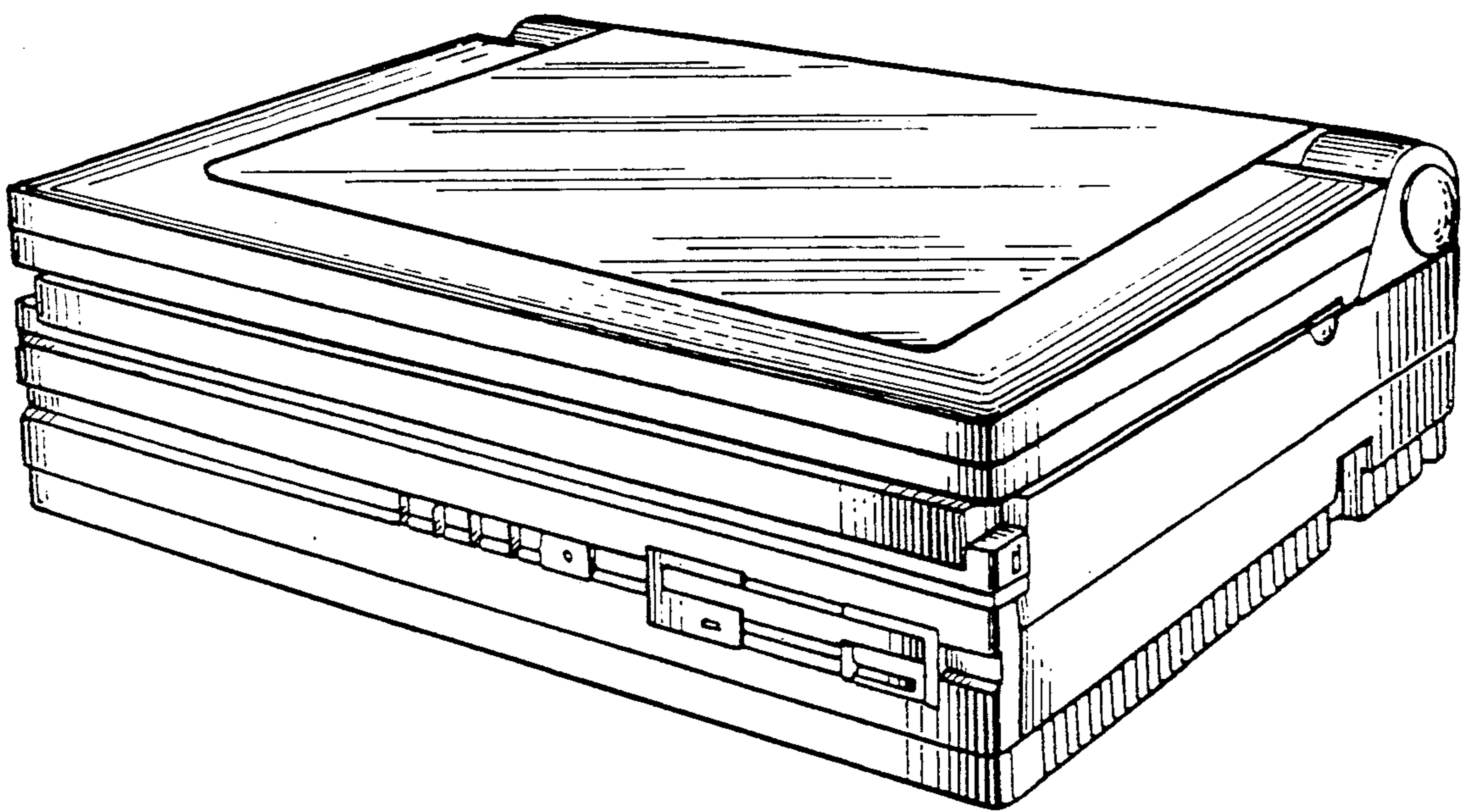


Figure 8

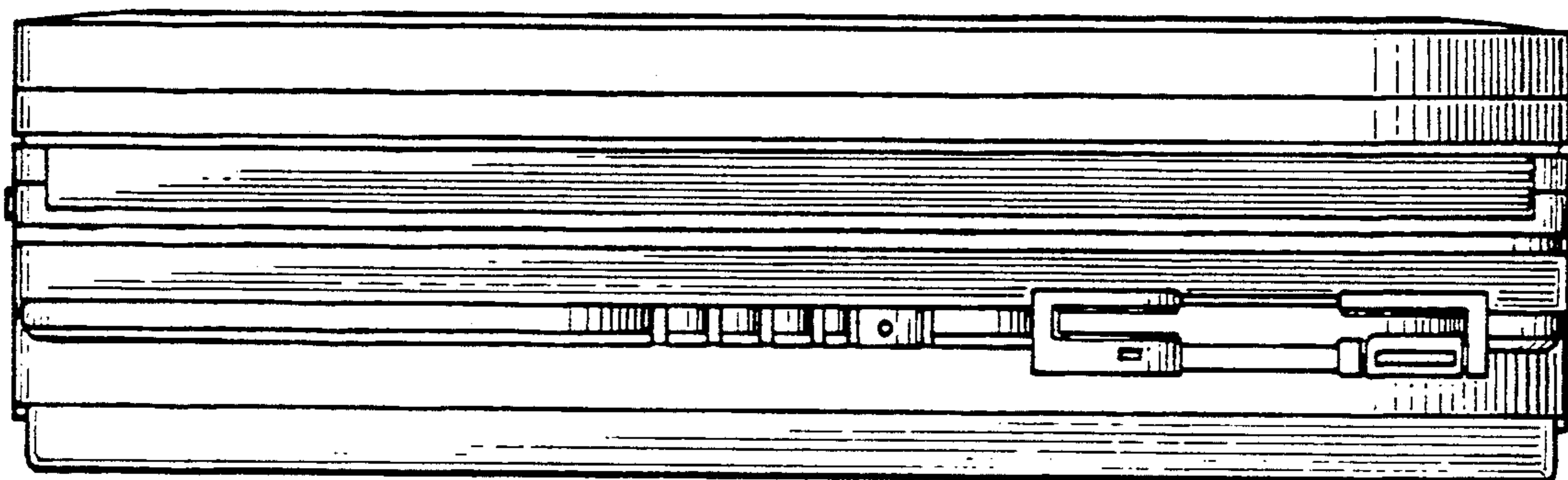


Figure 9

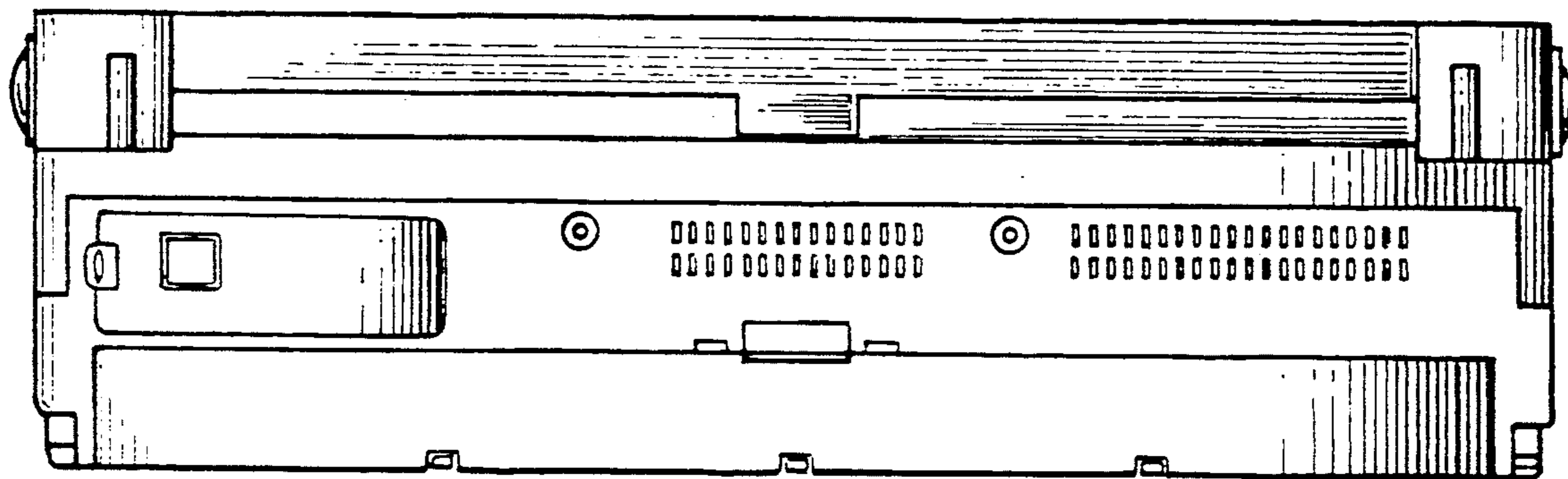


Figure 10



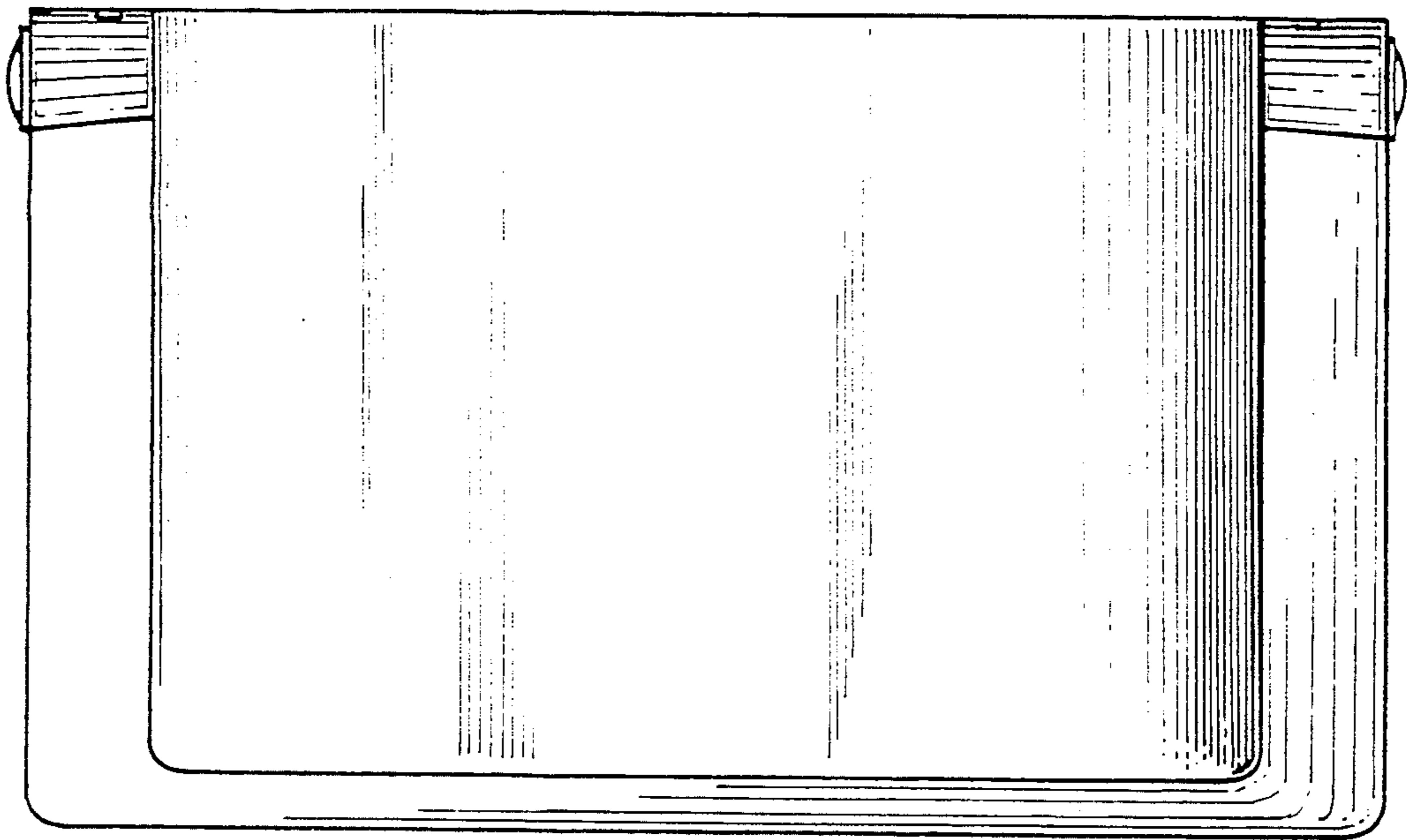


Figure 11

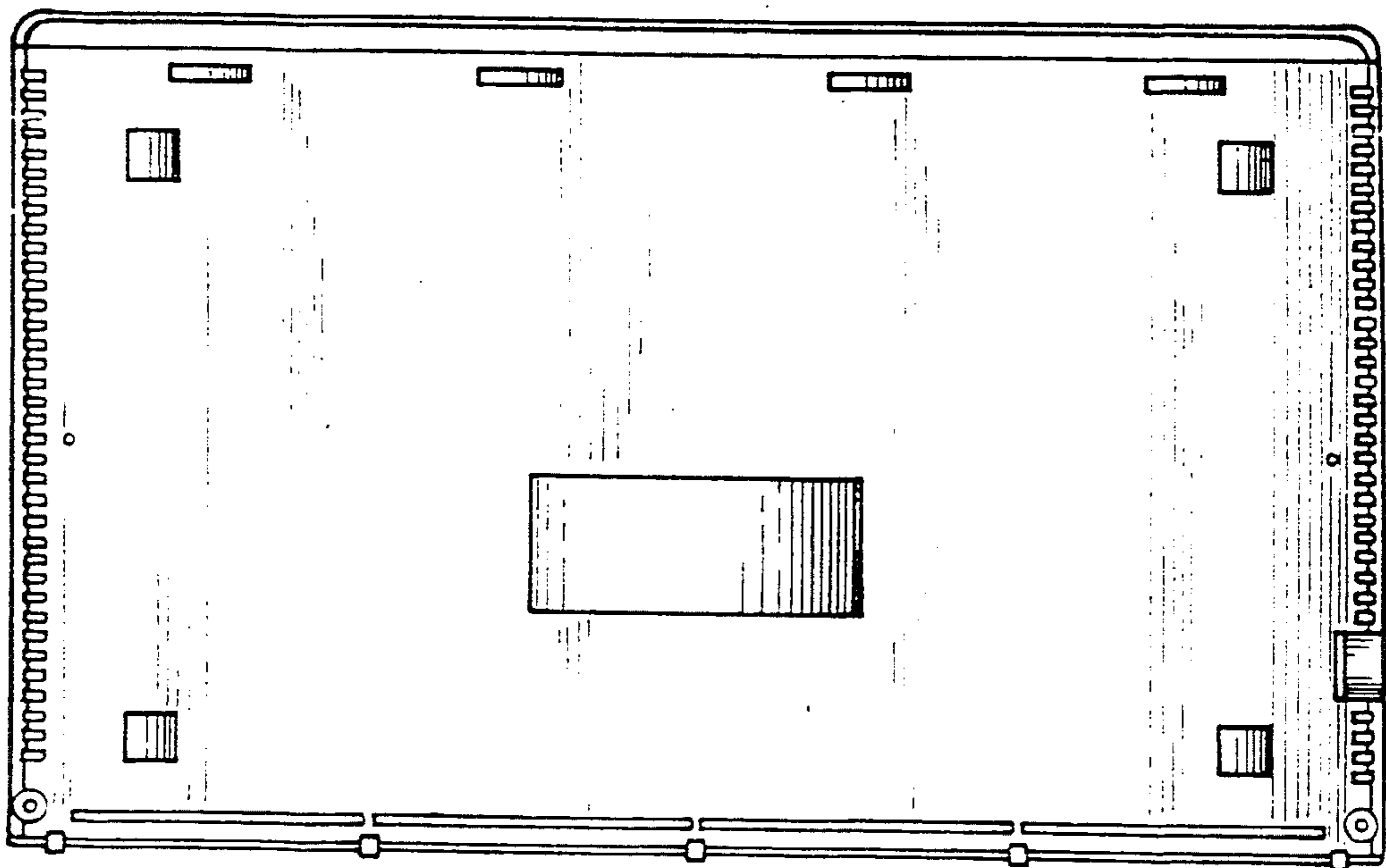


Figure 12

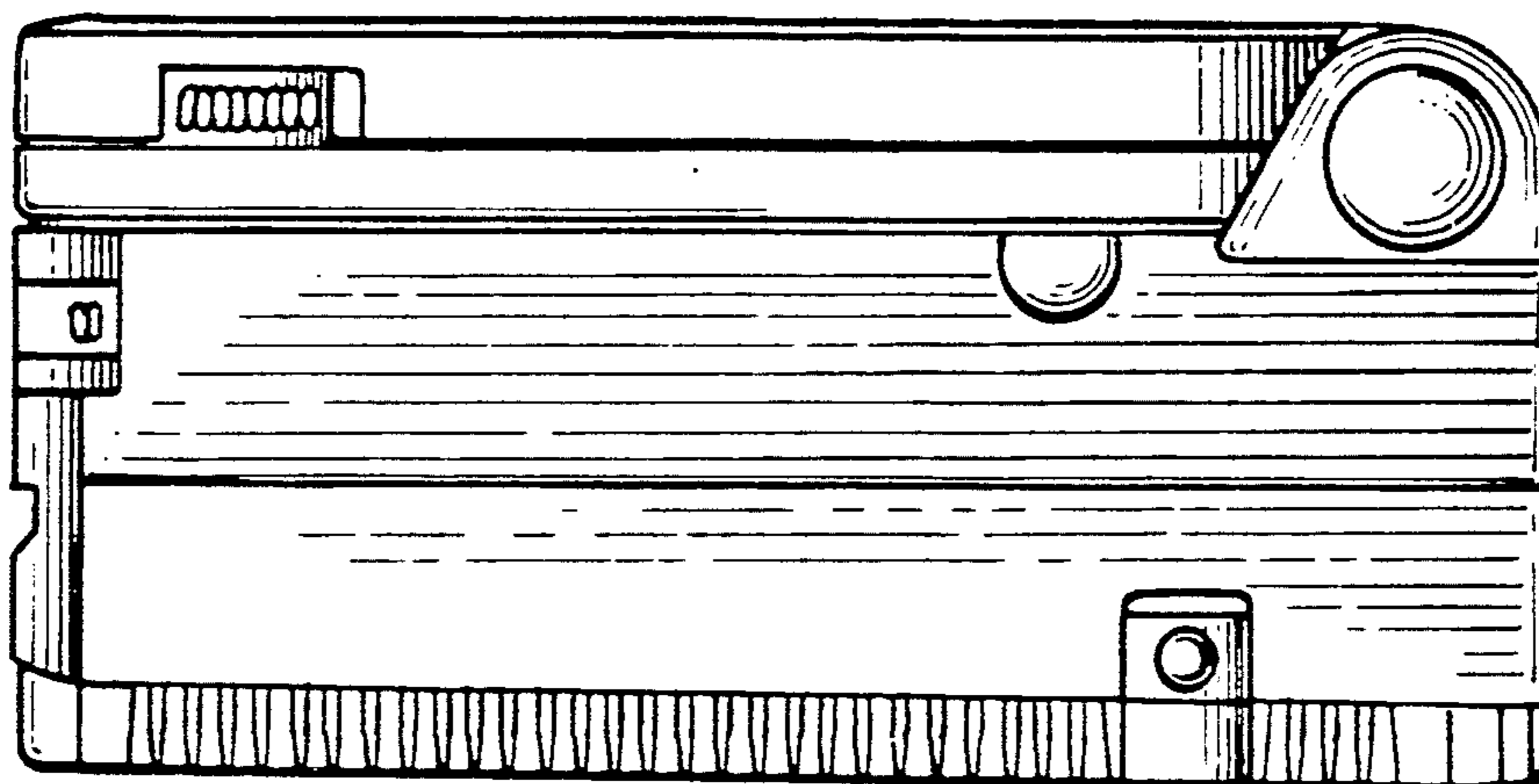


Figure 13

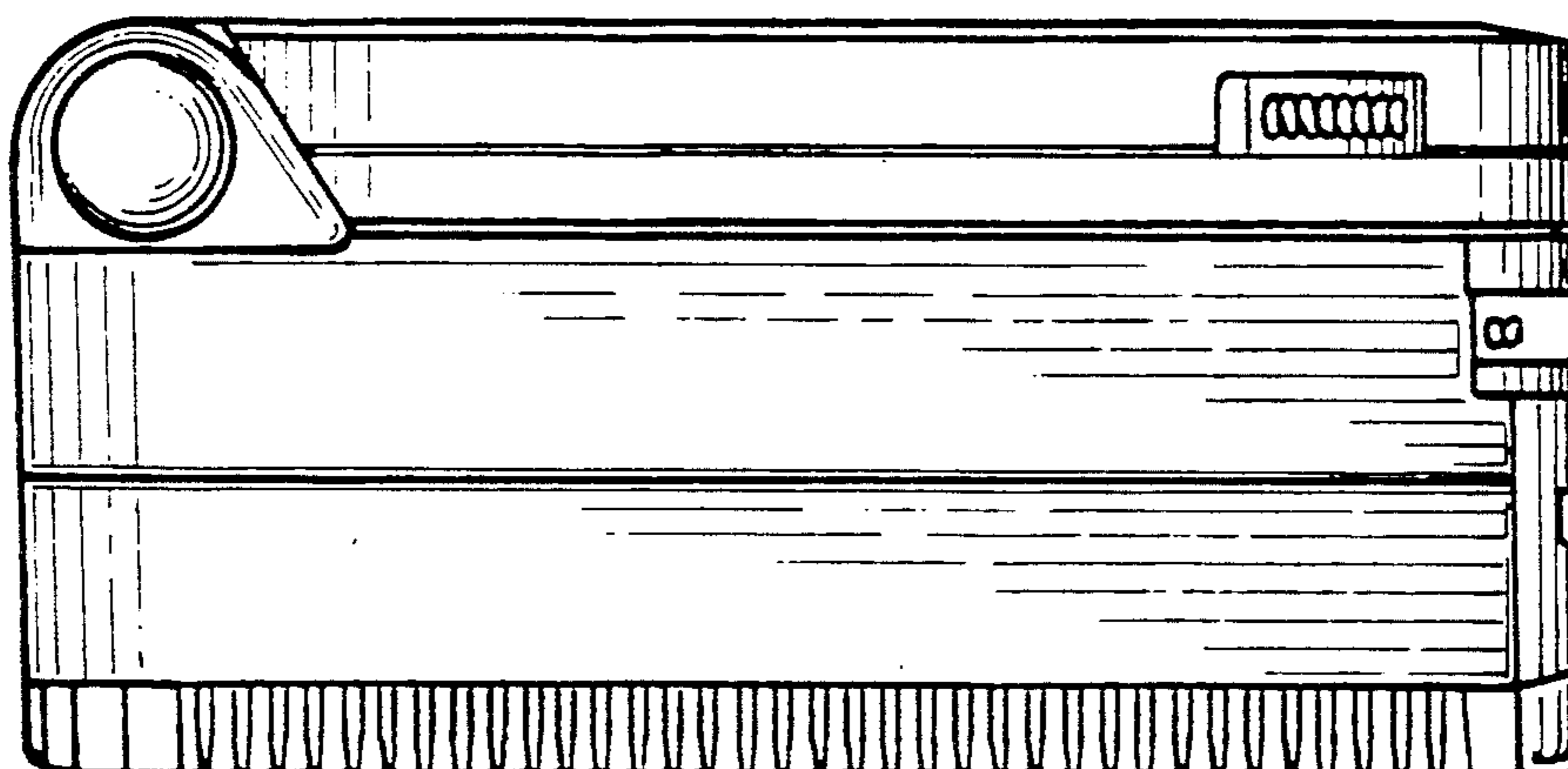


Figure 14

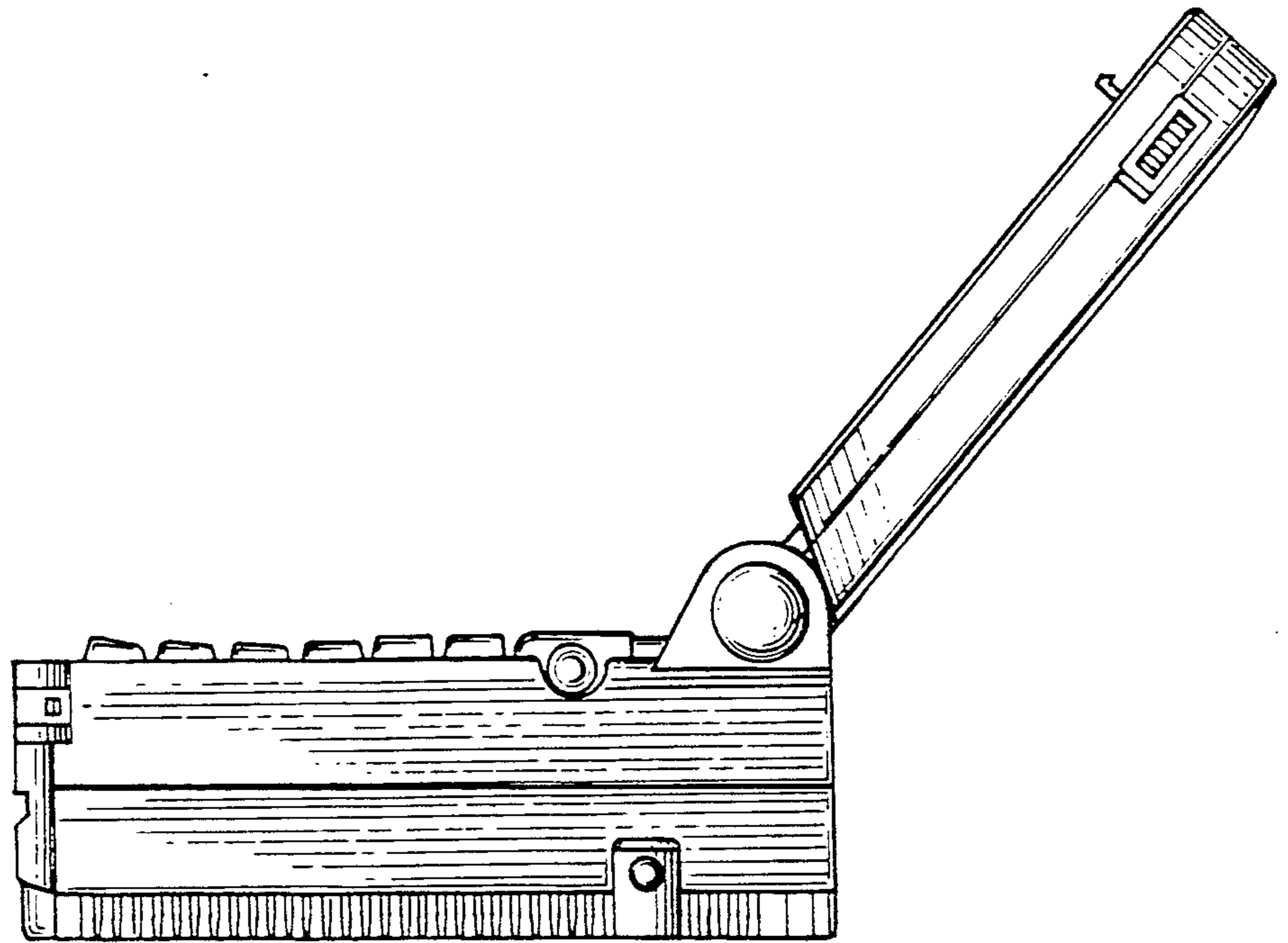


Figure 15

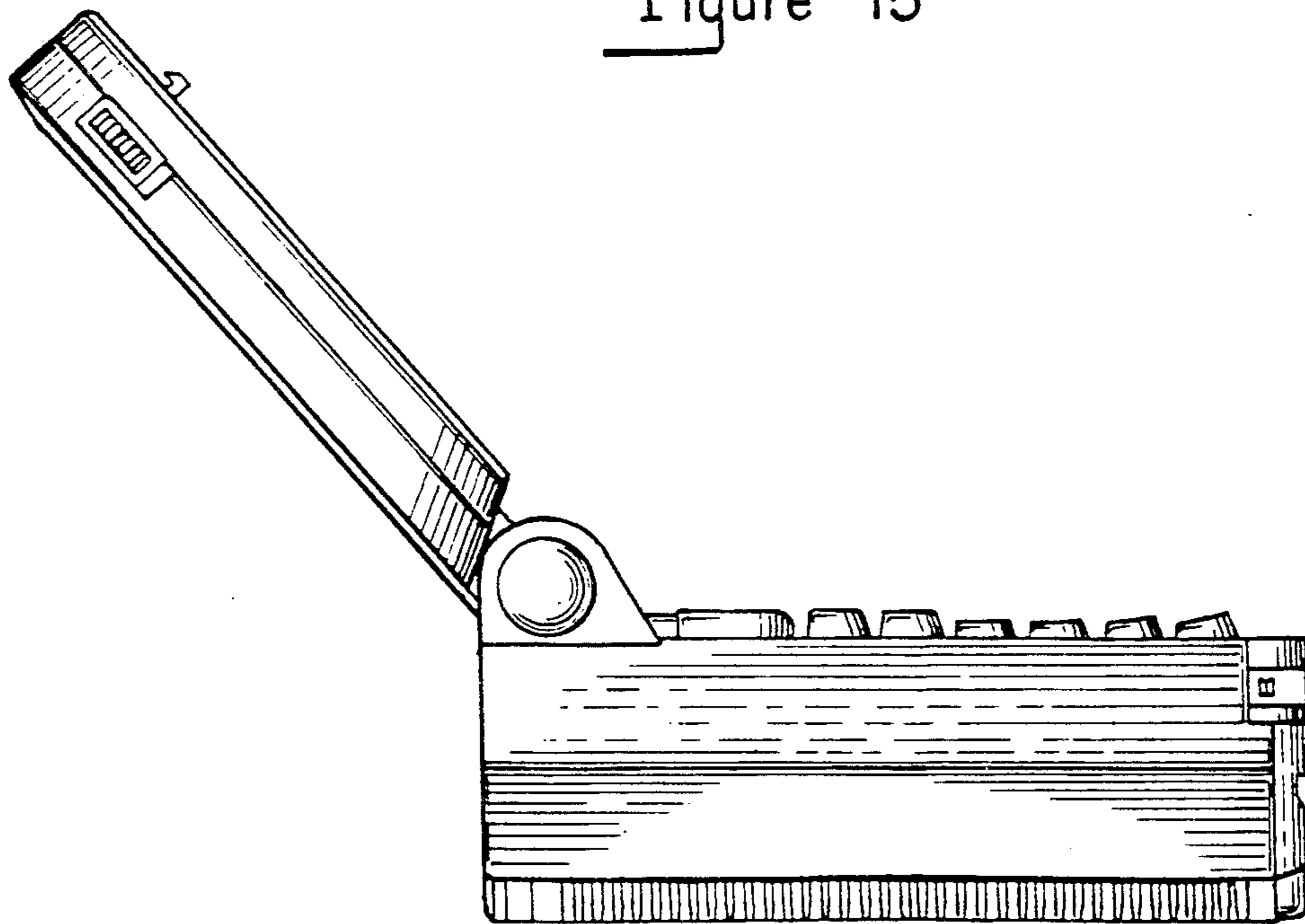


Figure 16