



US00D327471S

United States Patent [19]

[11] Patent Number: **Des. 327,471**

Frick

[45] Date of Patent: **** Jun. 30, 1992**

[54] **INFRA-RED DETECTOR WALL SWITCH**

[75] Inventor: **William C. Frick, Lancaster, Pa.**

[73] Assignee: **Burle Technologies, Inc.,
Wilmington, Del.**

[**] Term: **14 Years**

[21] Appl. No.: **397,090**

[22] Filed: **Aug. 22, 1989**

[52] U.S. Cl. **D13/171; D8/350;
D8/353**

[58] Field of Search **D8/350-353;
D13/158, 168-171; 174/66; 200/43.19, 310,
329, 332, 341; 220/241**

[56] **References Cited**

U.S. PATENT DOCUMENTS

- D. 253,879 1/1980 Jensen .
- D. 261,740 11/1981 Lederer .
- D. 264,318 5/1982 Guscott et al. .

- D. 286,383 10/1986 Kotlicki et al. .
- D. 296,531 7/1988 Kotlicki et al. .
- D. 303,248 9/1989 Fenne D8/353
- D. 304,442 11/1989 Fenne D8/353
- 4,510,488 4/1985 St. Jean et al. .

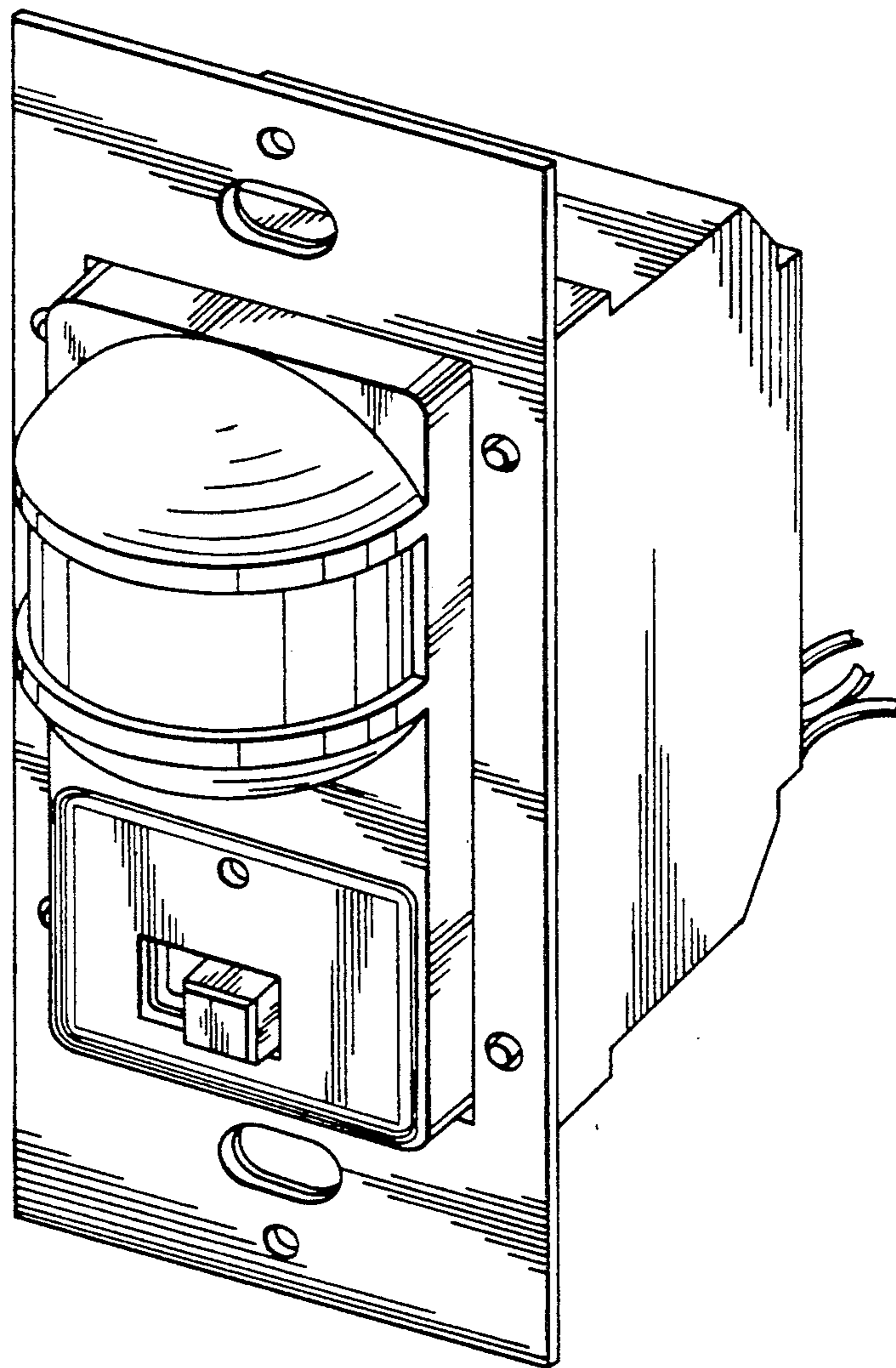
Primary Examiner—Bernard Ansher
Assistant Examiner—Sandra Morris
Attorney, Agent, or Firm—Martin Fruitman

[57] **CLAIM**

The ornamental design for an infra-red detector wall switch, as shown.

DESCRIPTION

FIG. 1 is a perspective view of an infra-red detector wall switch, showing my new design;
FIG. 2 is a front elevational view thereof;
FIG. 3 is a bottom plan view thereof;
FIG. 4 is a top plan view thereof;
FIG. 5 is a left side elevational view thereof;
FIG. 6 is a right side elevational view thereof; and,
FIG. 7 is a rear elevational view thereof.



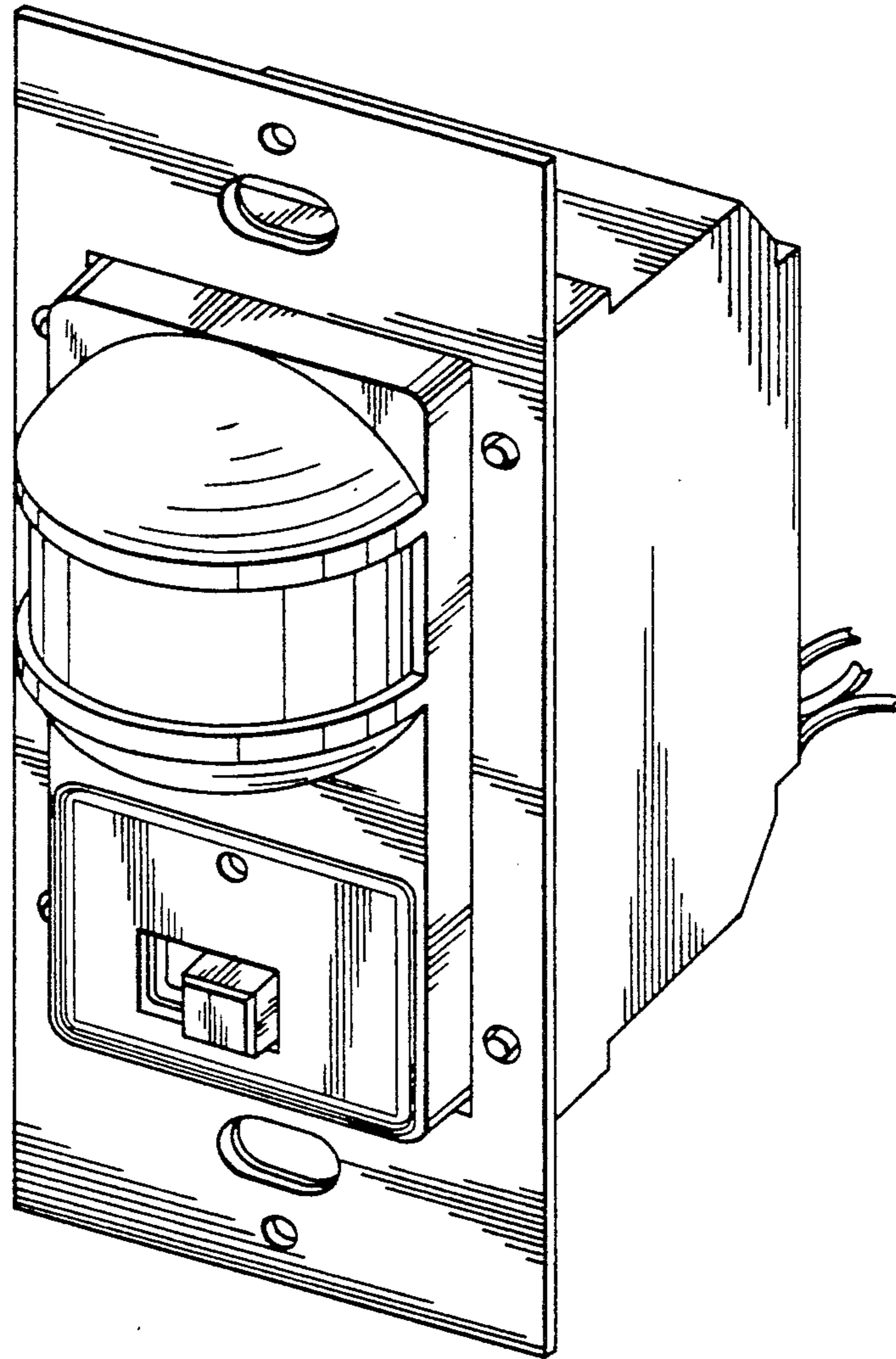


FIG. 1

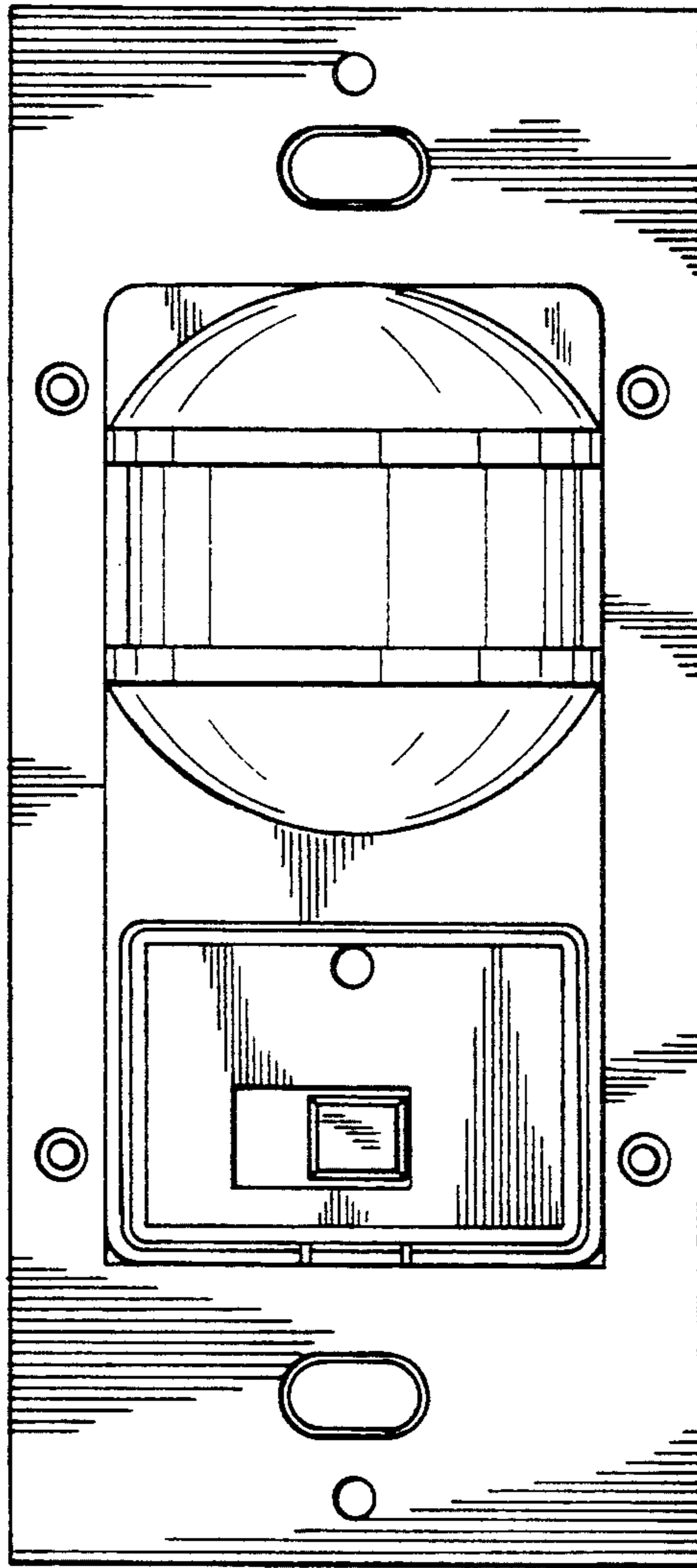


FIG. 2

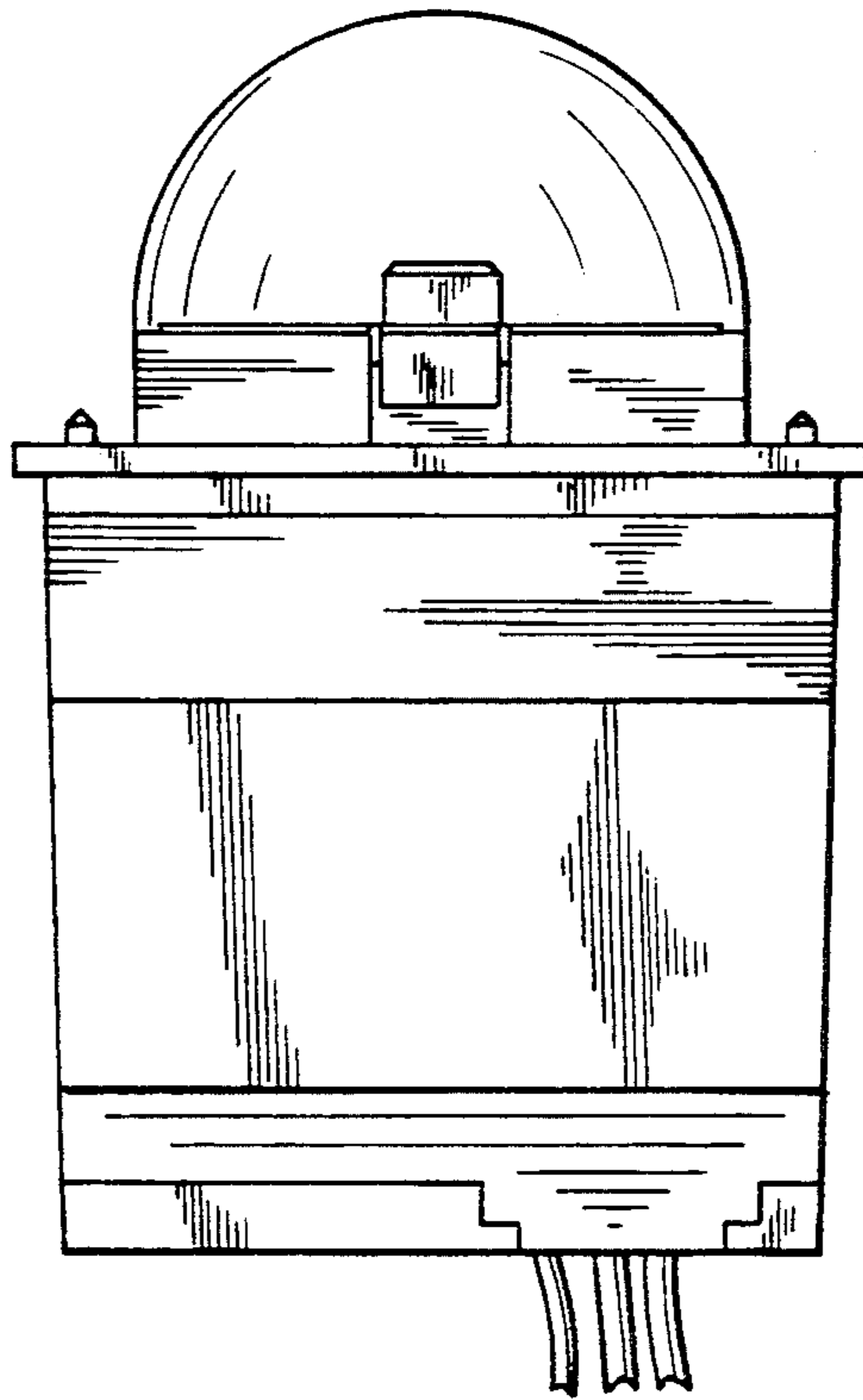


FIG. 3

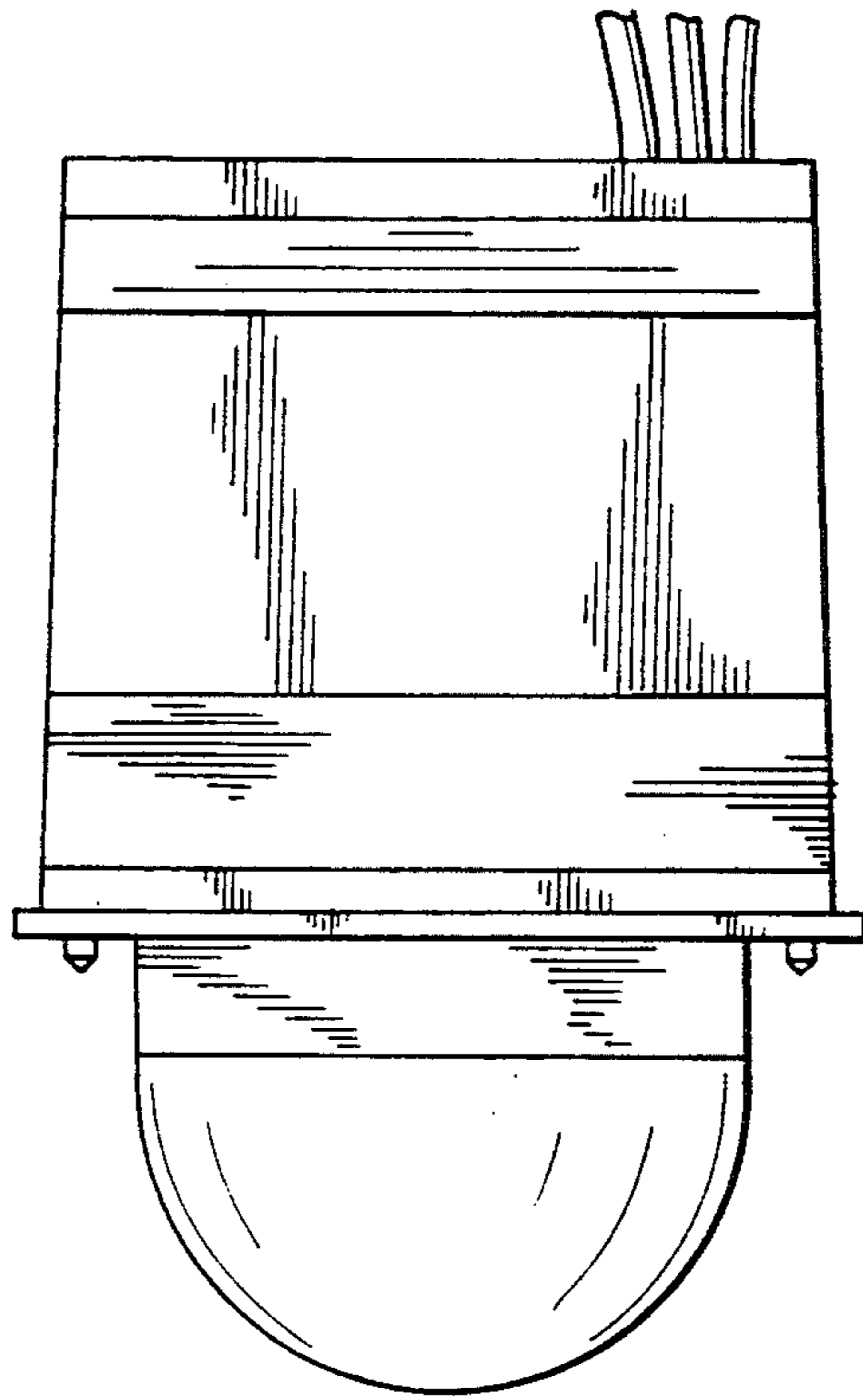


FIG. 4

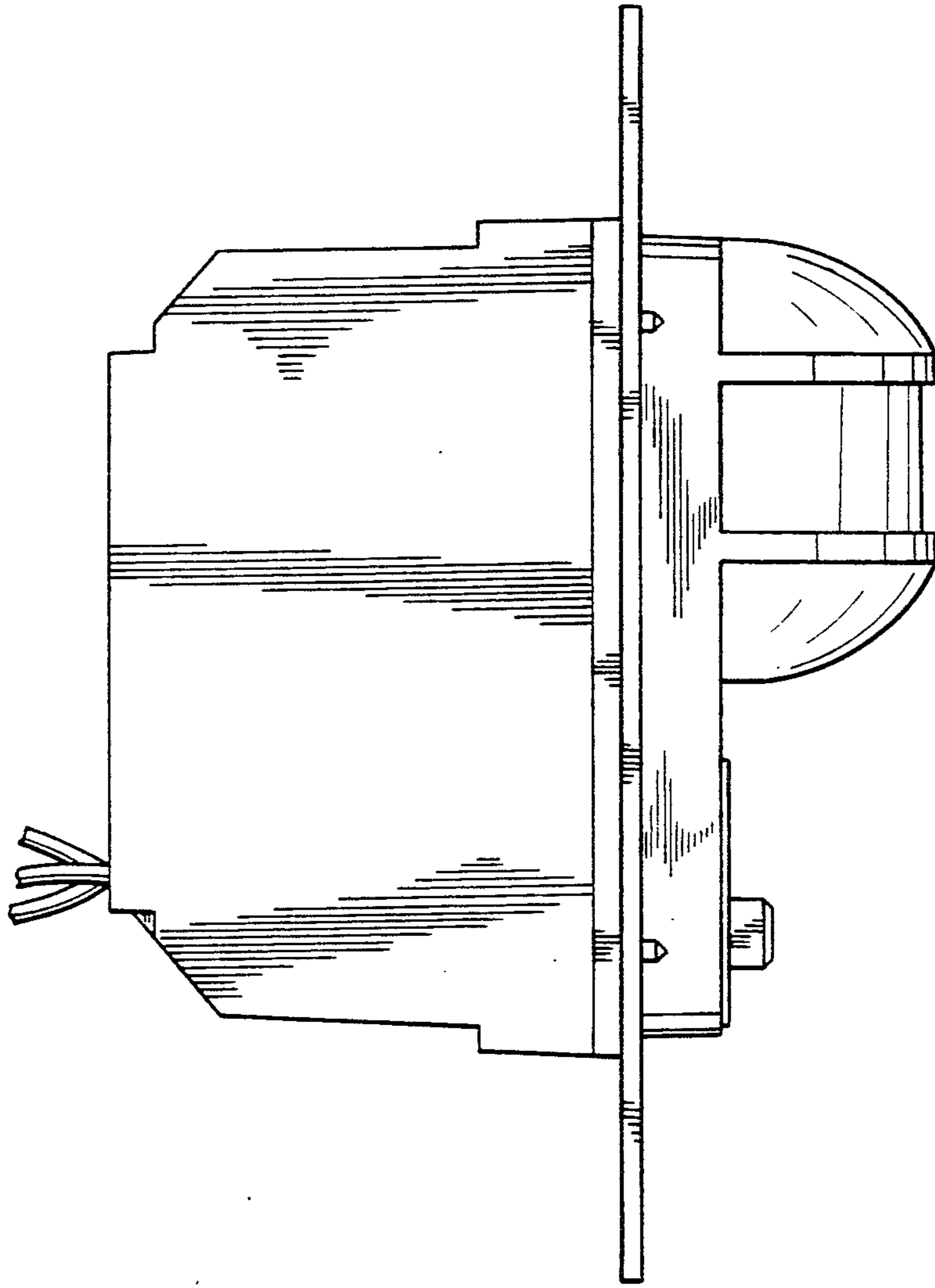


FIG. 5

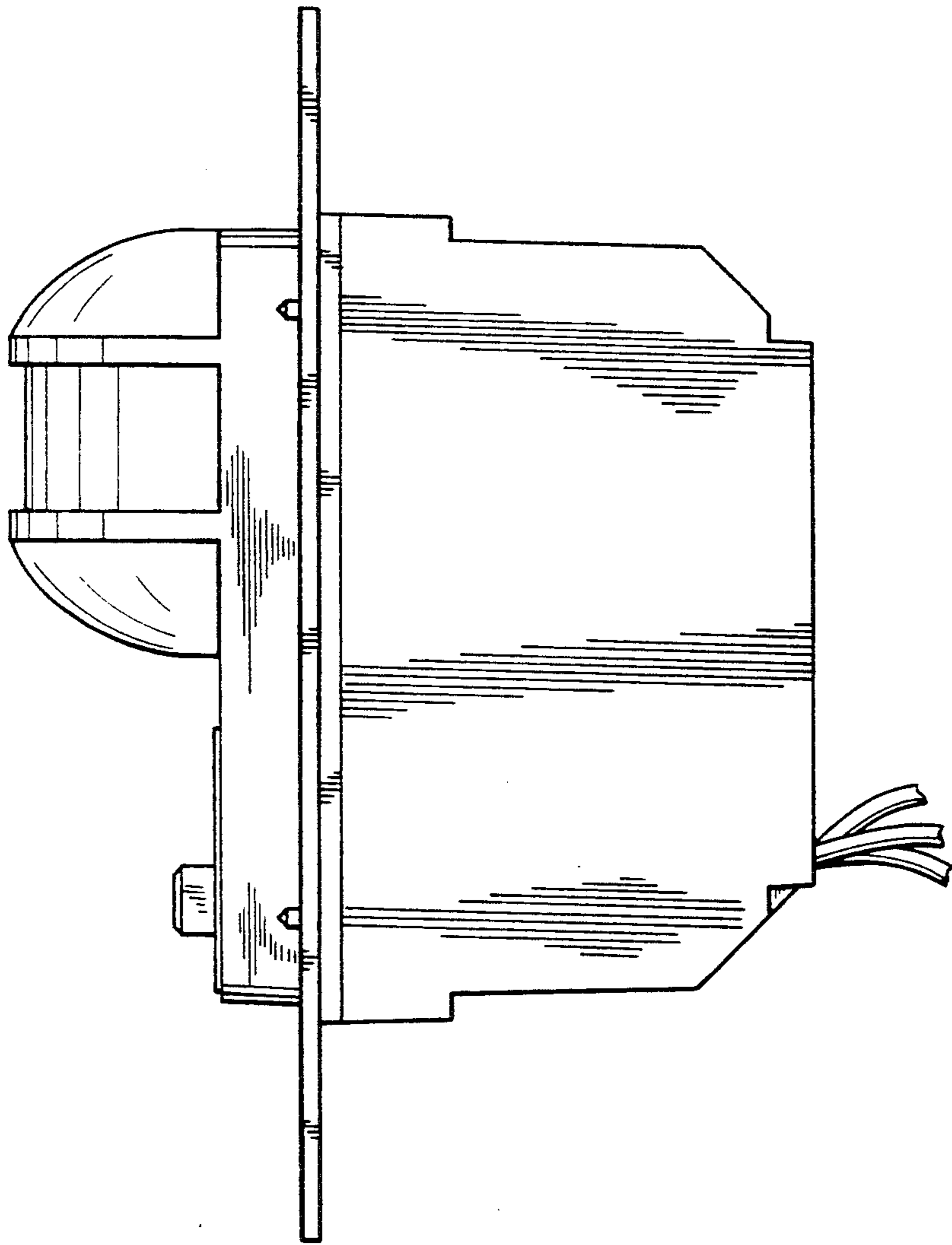


FIG. 6

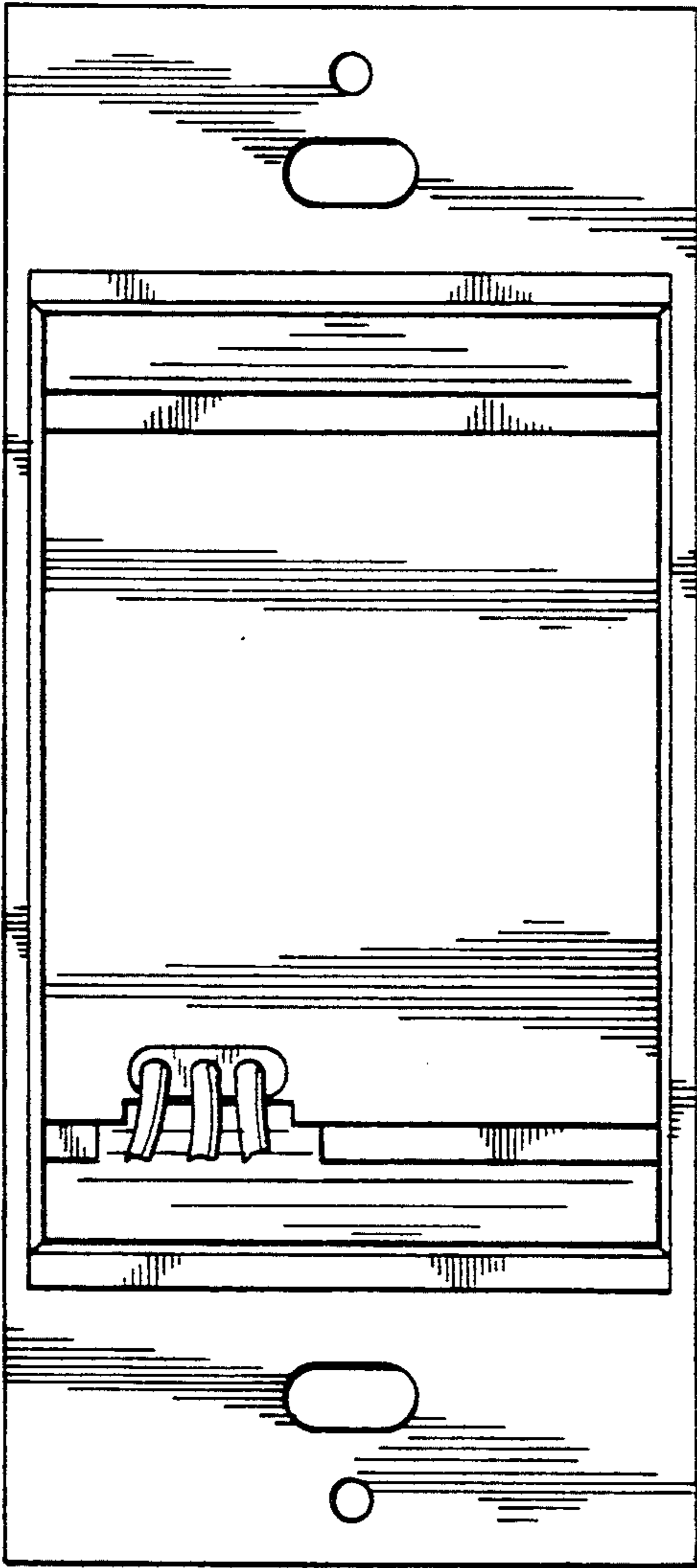


FIG. 7