



US00D327470S

United States Patent [19]

[11] Patent Number: **Des. 327,470**

Davis et al.

[45] Date of Patent: **** Jun. 30, 1992**

[54] **MULTI-PORT CONNECTOR ADAPTOR**

4,392,701 7/1983 Weidler 439/76

[75] Inventors: **Myron F. Davis; Richard A. Leighton,**
both of Baco Raton, Fla.

4,657,330 4/1987 Levy 439/402

4,728,163 3/1988 Kittinger et al. 439/176 X

4,811,165 3/1989 Currier et al. 439/76 X

[73] Assignee: **International Business Machines Corporation,** Armonk, N.Y.

Primary Examiner—Susan J. Lucas

Assistant Examiner—J. Sincavage

Attorney, Agent, or Firm—George E. Grosser

[**] Term: **14 Years**

[57] CLAIM

[21] Appl. No.: **364,392**

The ornamental design for multiport connector adaptor, shown and described.

[22] Filed: **May 12, 1989**

[52] U.S. Cl. **D13/147**

DESCRIPTION

[58] Field of Search D13/133, 146, 147;
D14/256; 439/300, 344, 347, 573, 610, 638, 639,
652, 488-491

FIG. 1 is a top plan view of a multi-port connector adaptor showing our new design;

FIG. 2 is a front elevational view thereof;

FIG. 3 is a bottom plan view thereof;

FIG. 4 is a rear elevational view thereof;

FIG. 5 is a left side elevational view thereof;

FIG. 6 is a right side elevational view thereof; and,

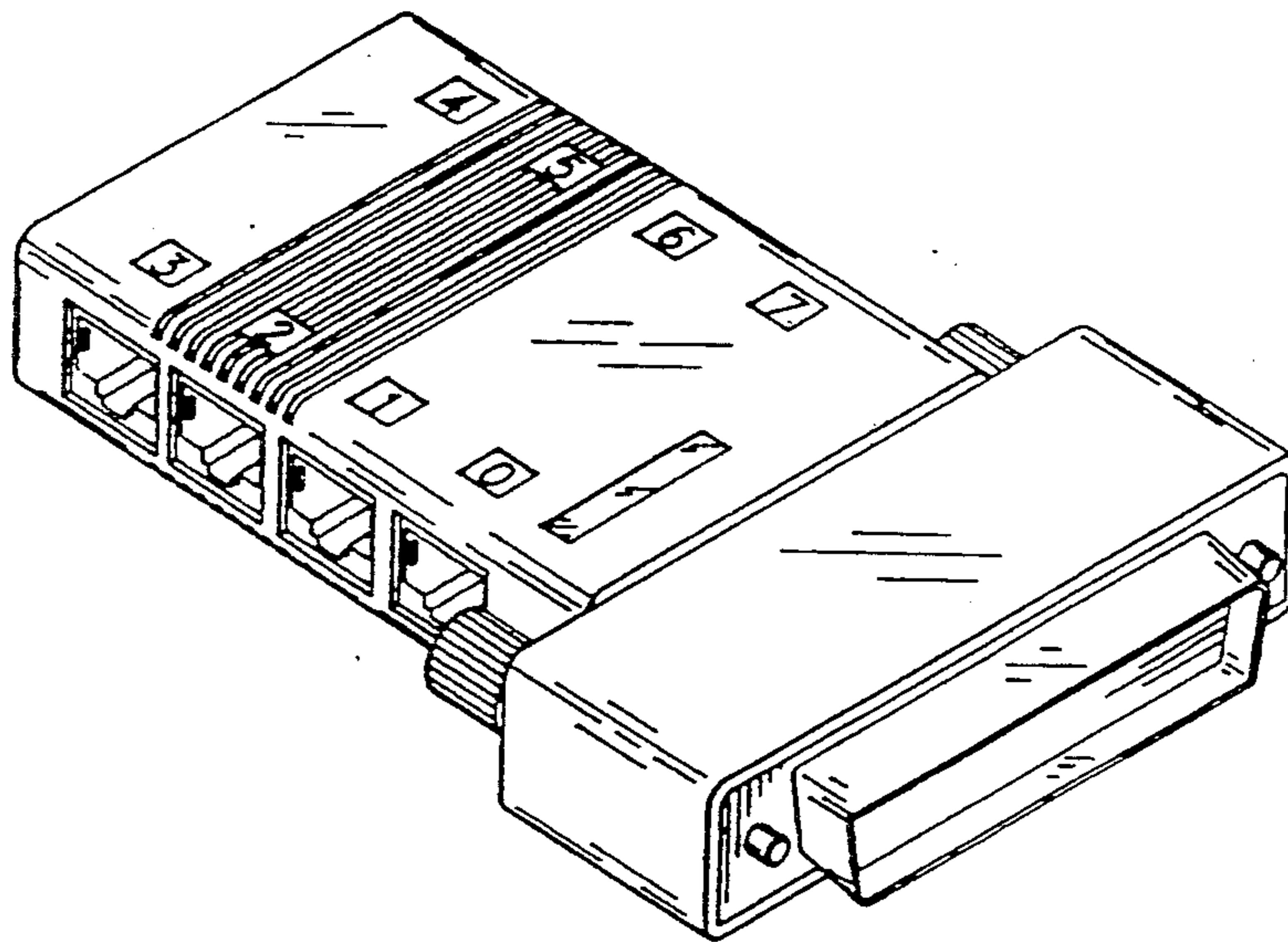
FIG. 7 is a perspective view thereof.

[56] References Cited

U.S. PATENT DOCUMENTS

D. 269,673 7/1983 Johansson et al. D13/147

D. 275,850 10/1984 Wilson D13/147



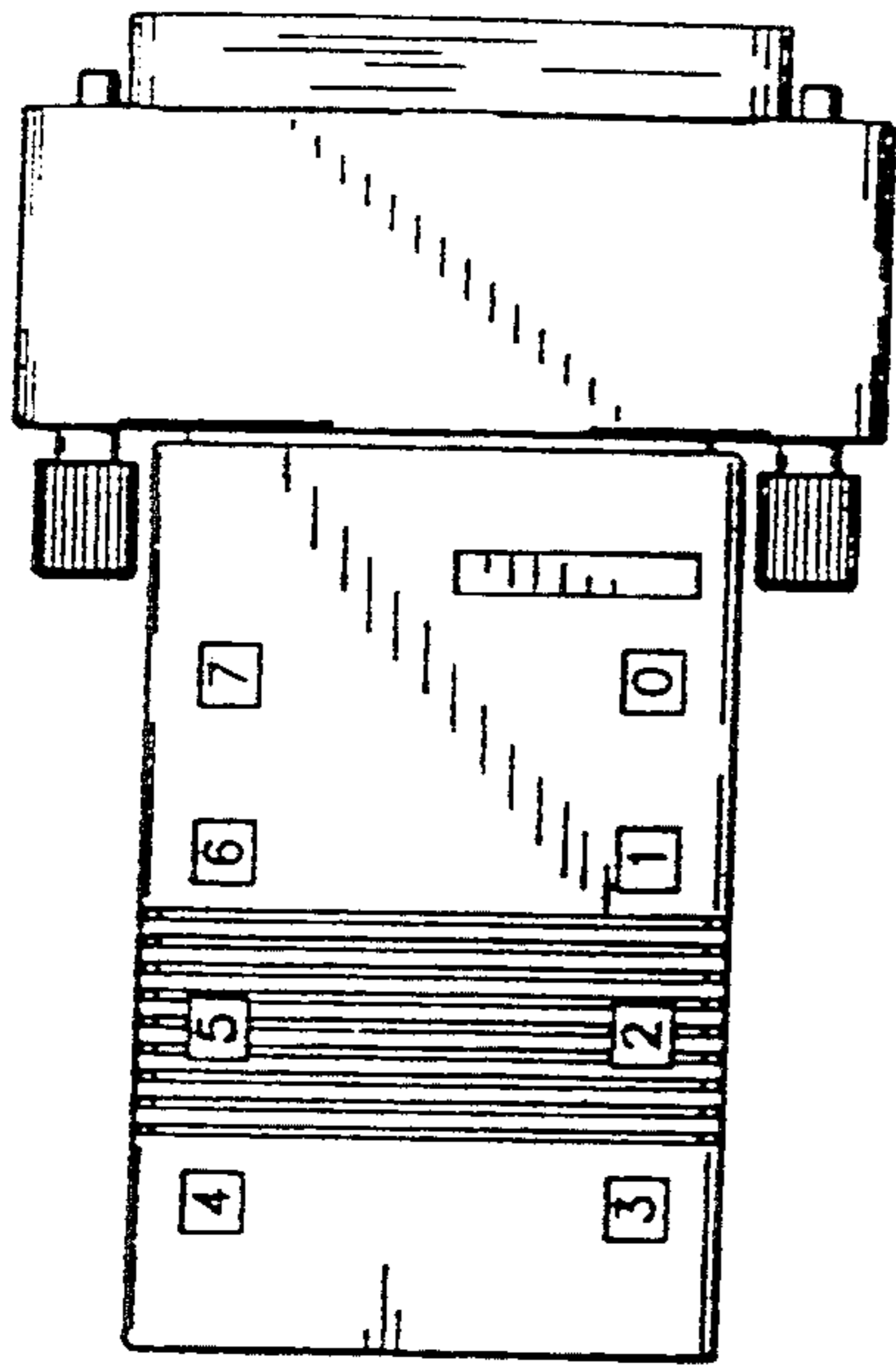


Fig. 1

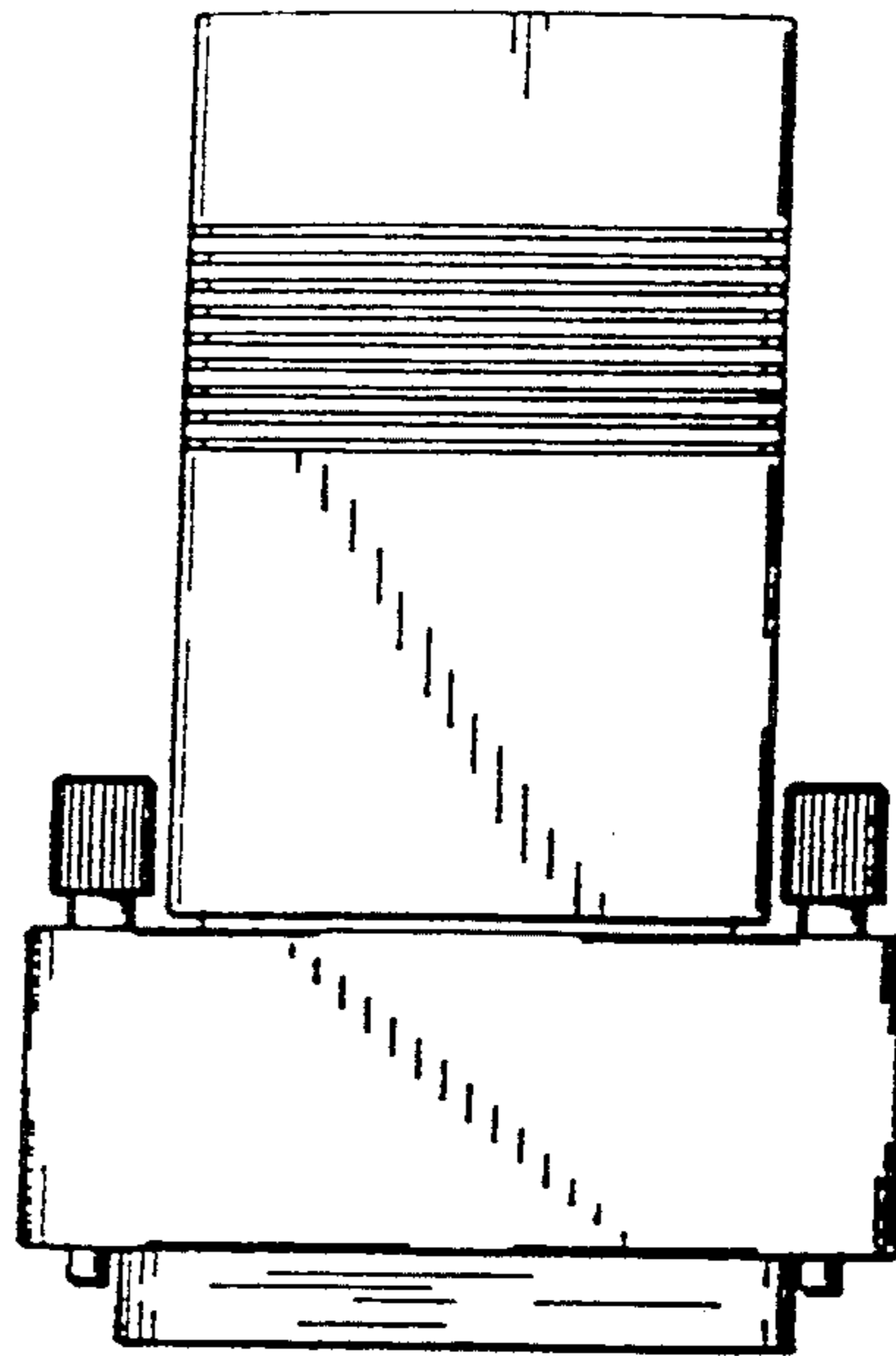


Fig. 3



Fig. 2

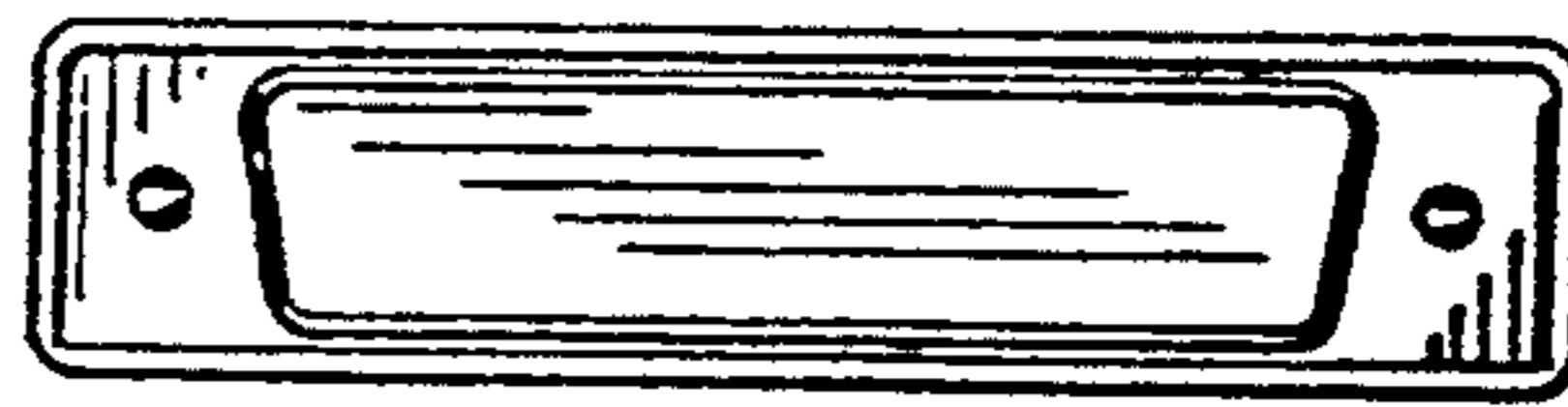


Fig. 4

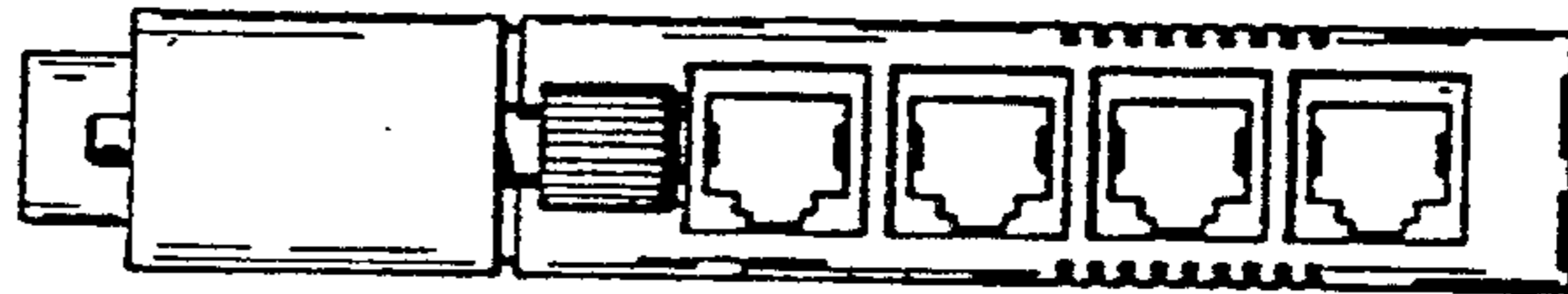


Fig. 5

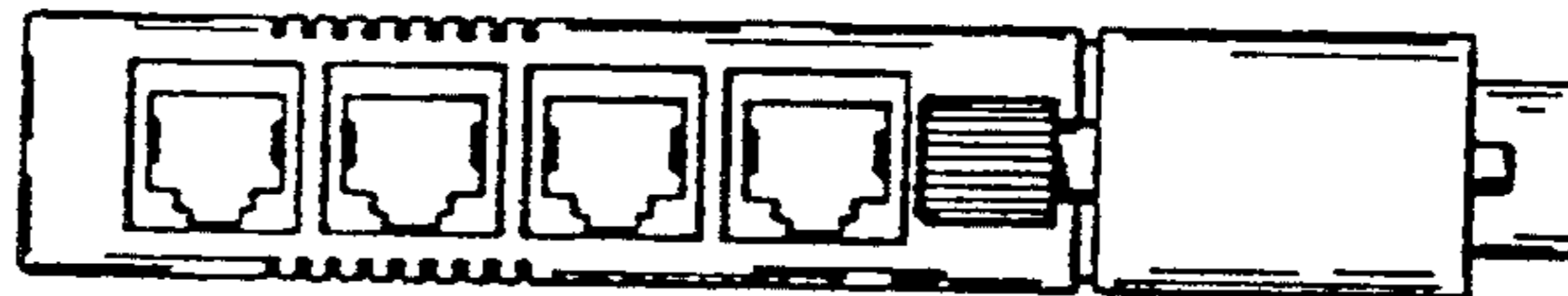


Fig. 6

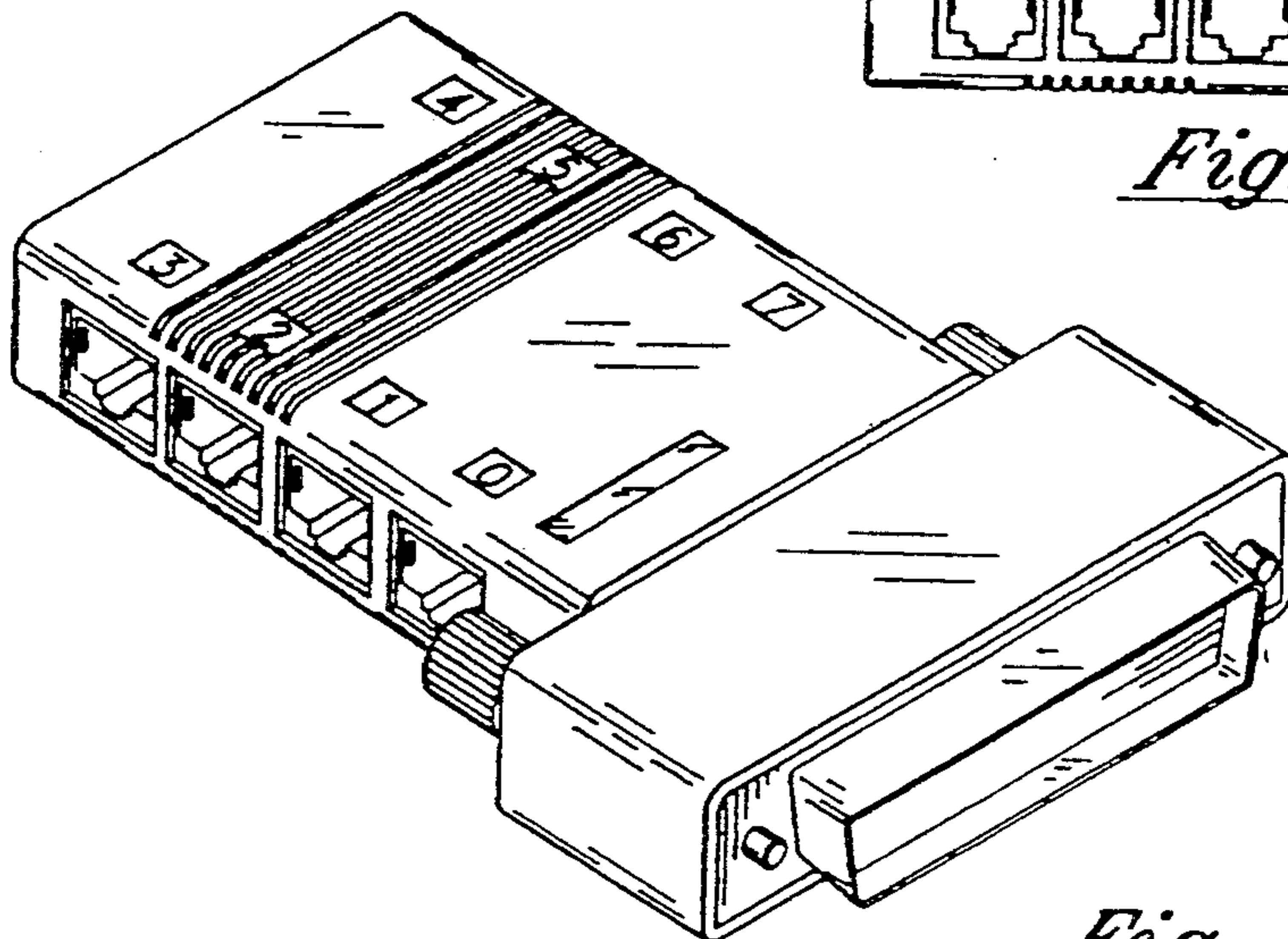


Fig. 7