



US00D327469S

United States Patent [19]

[11] Patent Number: **Des. 327,469**

Moriai et al.

[45] Date of Patent: **** Jun. 30, 1992**

[54] ELECTRICAL CONNECTOR HOUSING

[75] Inventors: **Yasuharu Moriai; Osamu Ito**, both of Suzuka; **Tetsuo Yamamoto**, Yokkaichi, all of Japan

[73] Assignee: **Sumitomo Wiring Systems, Ltd.**, Yokkaichi, Japan

[*] Notice: The portion of the term of this patent subsequent to May 14, 2005 has been disclaimed.

[**] Term: **14 Years**

[21] Appl. No.: **268,389**

[22] Filed: **Nov. 7, 1988**

[30] Foreign Application Priority Data

May 6, 1988 [JP] Japan 63-17955

[52] U.S. Cl. **D13/147**

[58] Field of Search D13/133, 146, 147; 439/353, 344, 357, 544, 550, 571, 572, 586, 587, 595, 603, 660, 682, 685, 686, 687, 695, 696, 701

[56] References Cited

U.S. PATENT DOCUMENTS

- D. 242,862 12/1976 Huber D13/147
- D. 295,971 5/1988 Kikuta D13/147
- 3,328,746 6/1967 Schumacher 439/587
- 4,053,199 10/1977 Hollyday et al. 439/572 X

FOREIGN PATENT DOCUMENTS

- 2102782 7/1971 Fed. Rep. of Germany 439/357
- 2133228 7/1984 United Kingdom 439/603

OTHER PUBLICATIONS

Cinch Connector in advertisement.
AMP Connector in advertisement.

Primary Examiner—Susan J. Lucas
Assistant Examiner—Joel Sincavage
Attorney, Agent, or Firm—Liddy Sullivan Galway Begler & Peroff

[57] CLAIM

The ornamental design for an electrical connector housing, as shown and described.

DESCRIPTION

FIG. 1 is a bottom, front and right side perspective view of an electrical connector housing showing our new design:

FIG. 2 is a top plan view thereof;

FIG. 3 is a bottom plan view thereof;

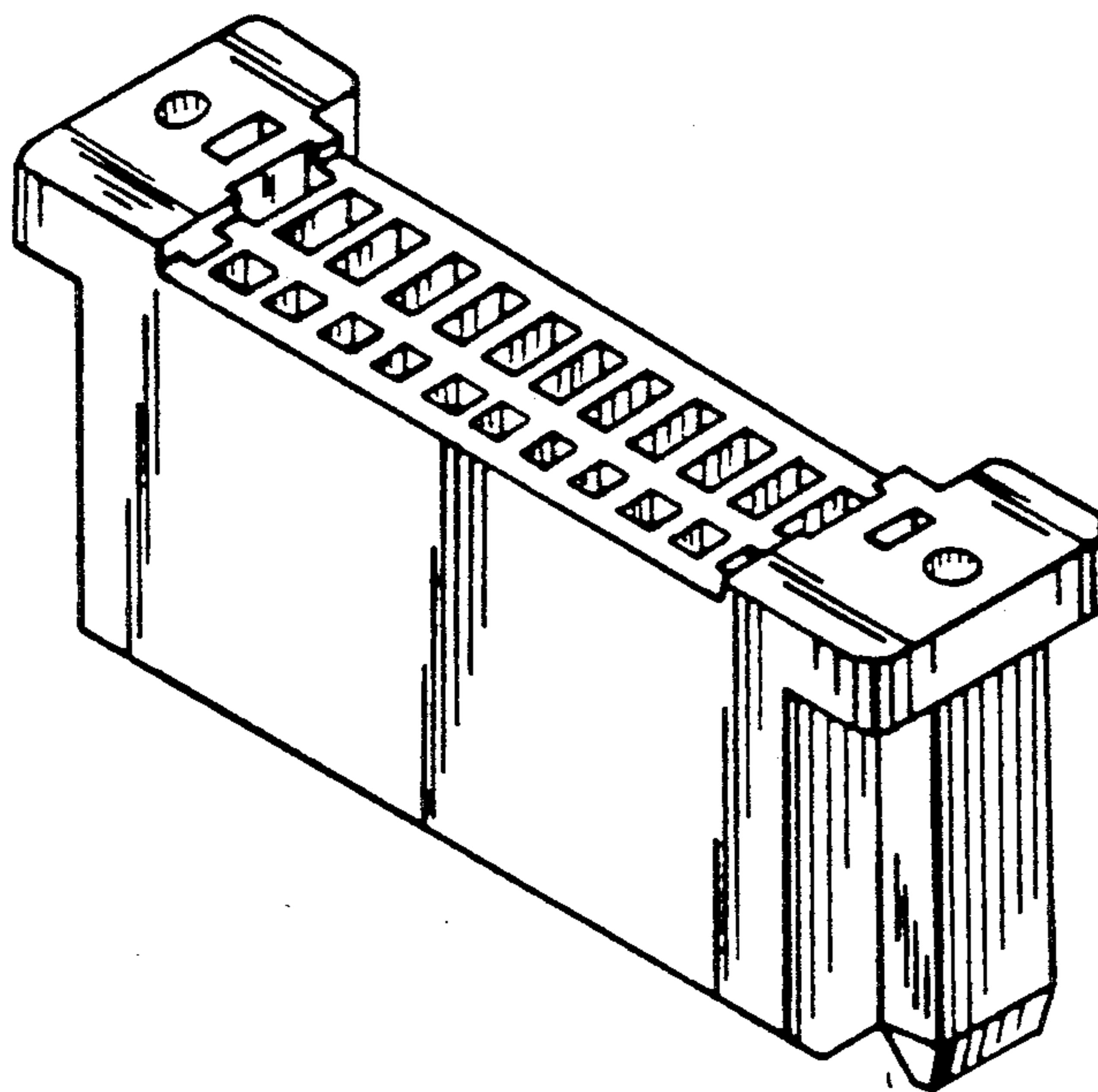
FIG. 4 is a front elevational view thereof;

FIG. 5 is a rear elevational view thereof;

FIG. 6 is a left side elevational view thereof, the right side elevational view being a mirror image;

FIG. 7 is a cross-sectional view thereof taken along line 7—7 of FIG. 4; and

FIG. 8 is a cross-sectional view thereof as taken along line 8—8 of FIG. 4 and shown on an enlarged scale.



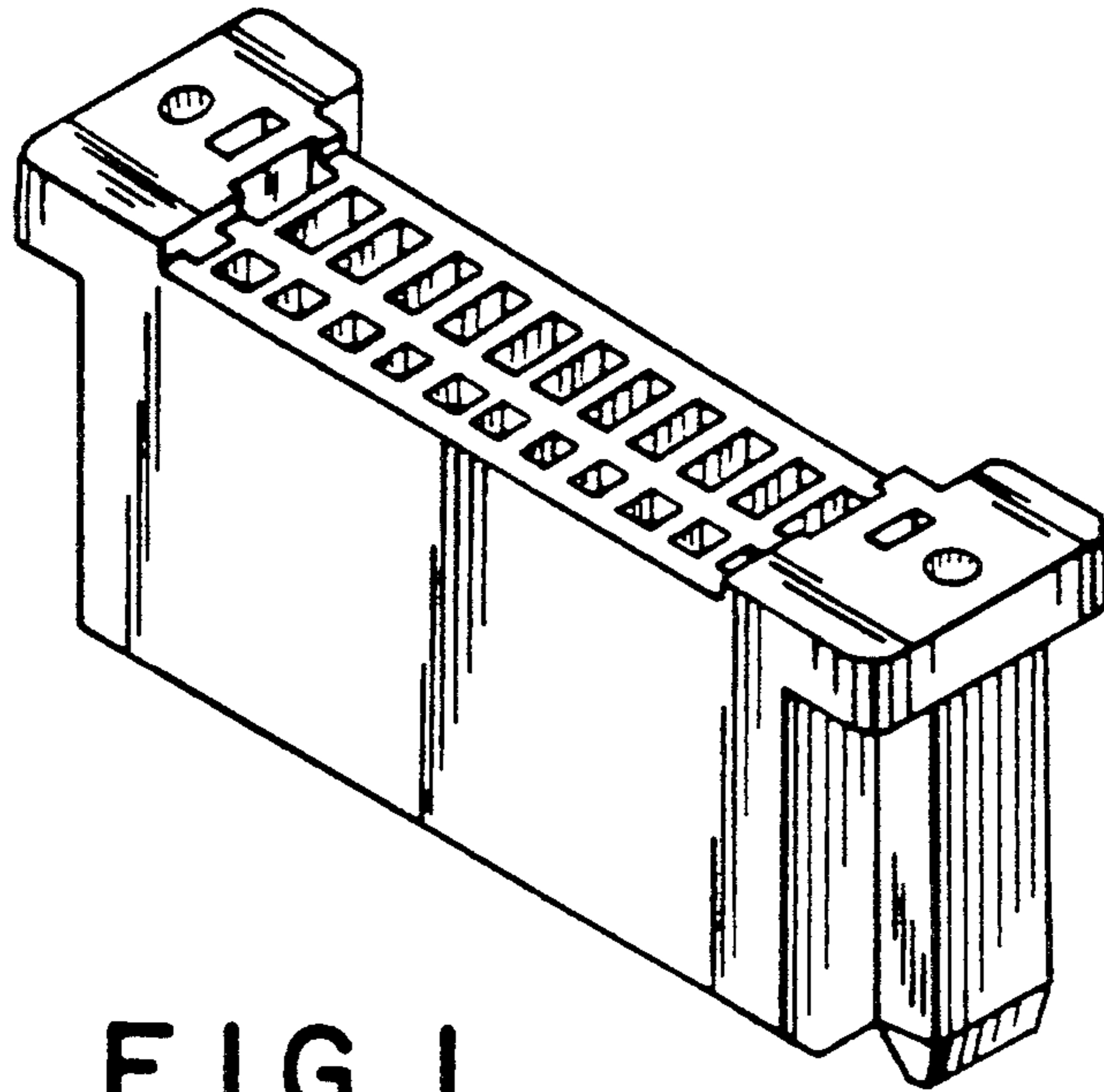


FIG. 1

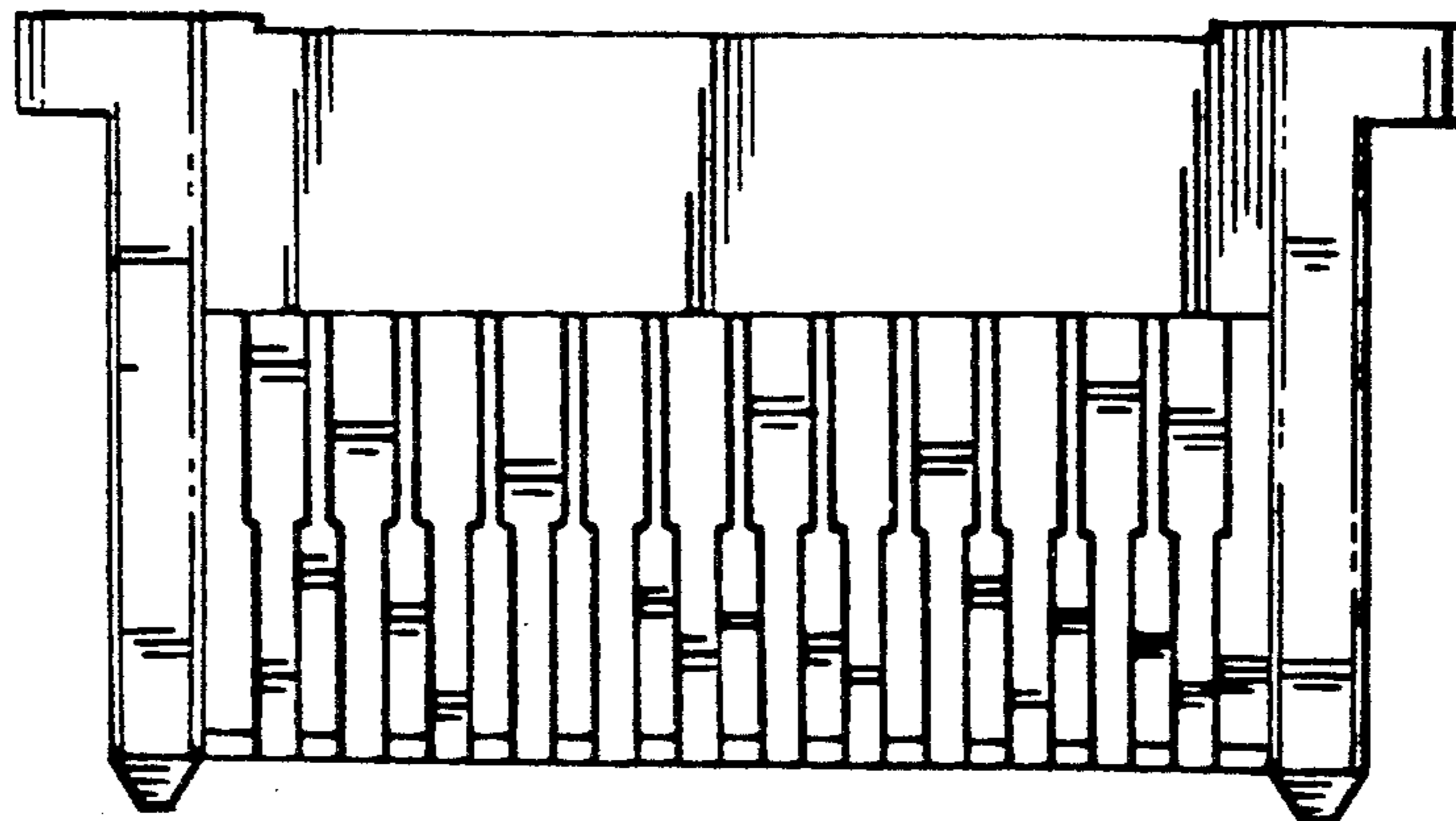


FIG. 2

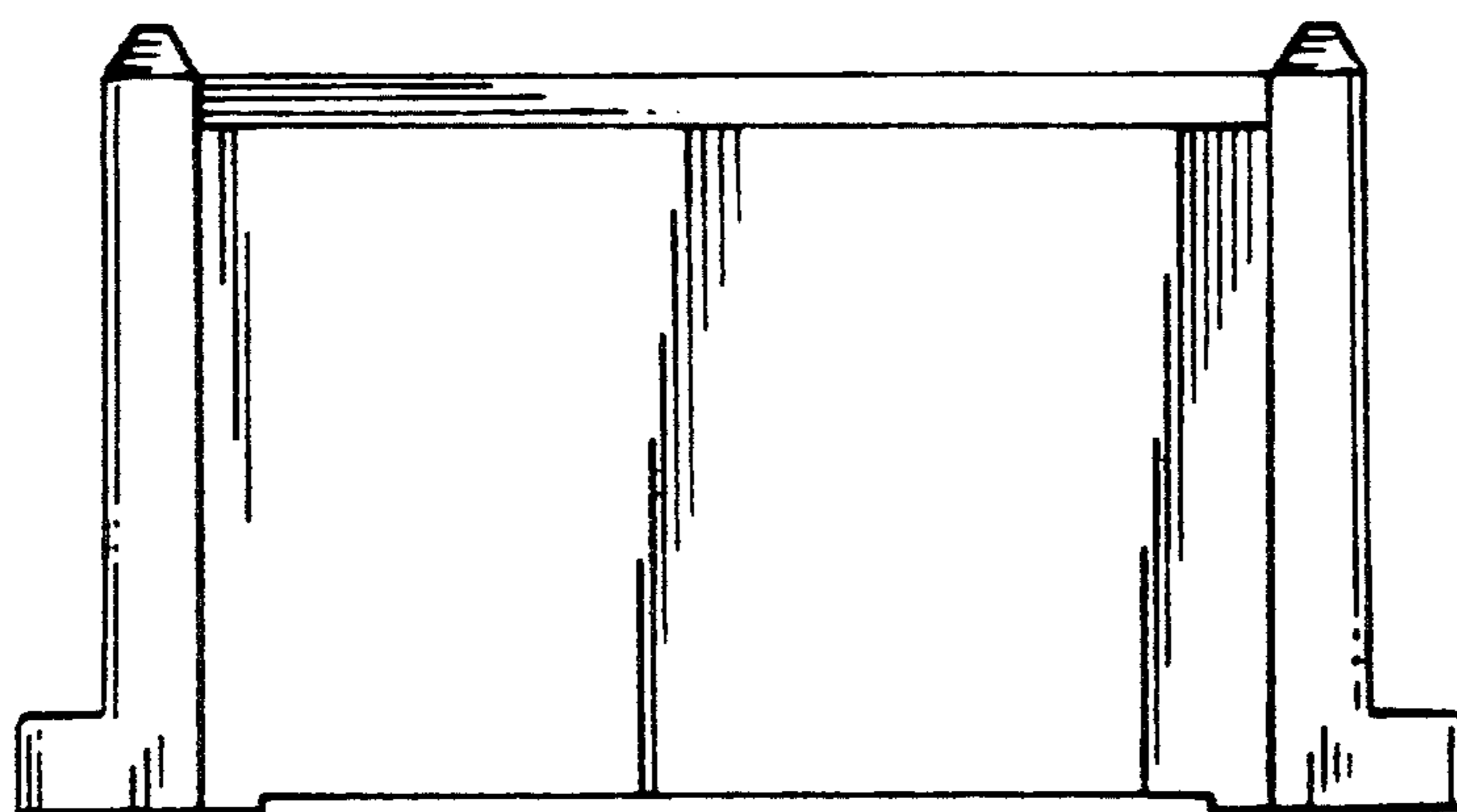


FIG. 3

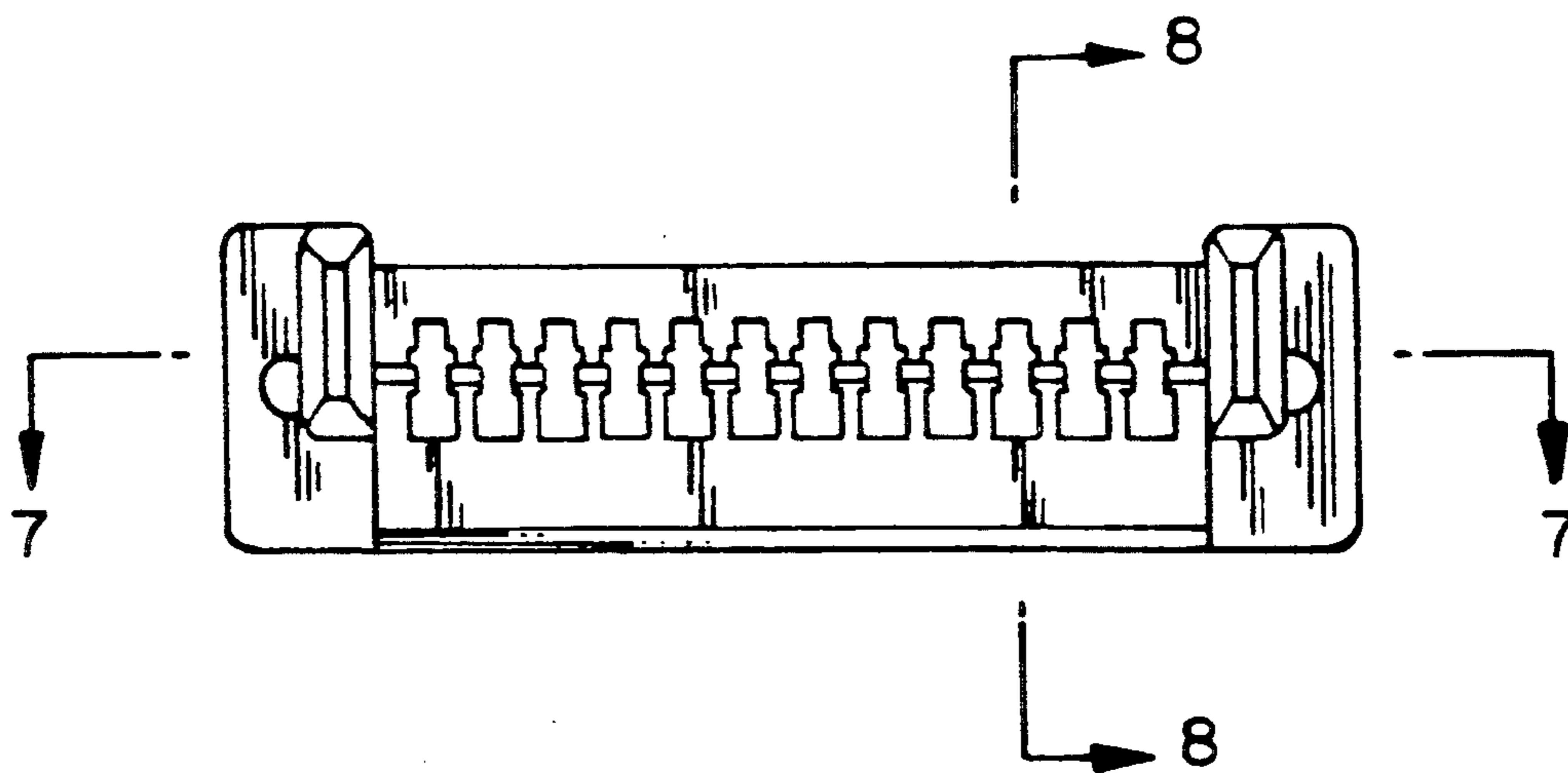


FIG. 4

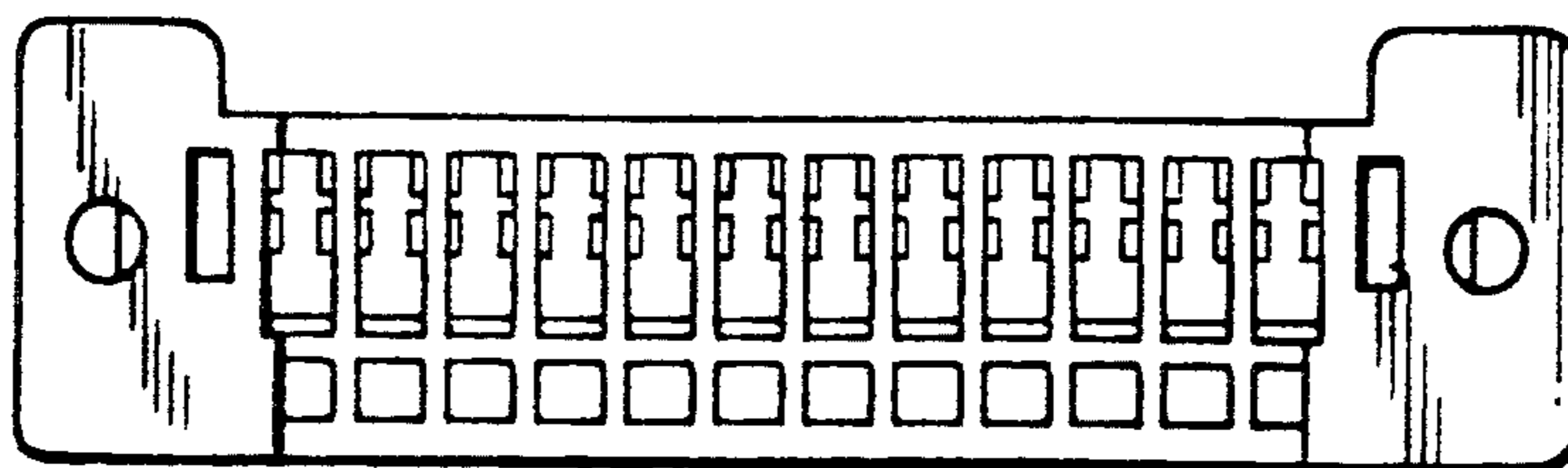


FIG. 5

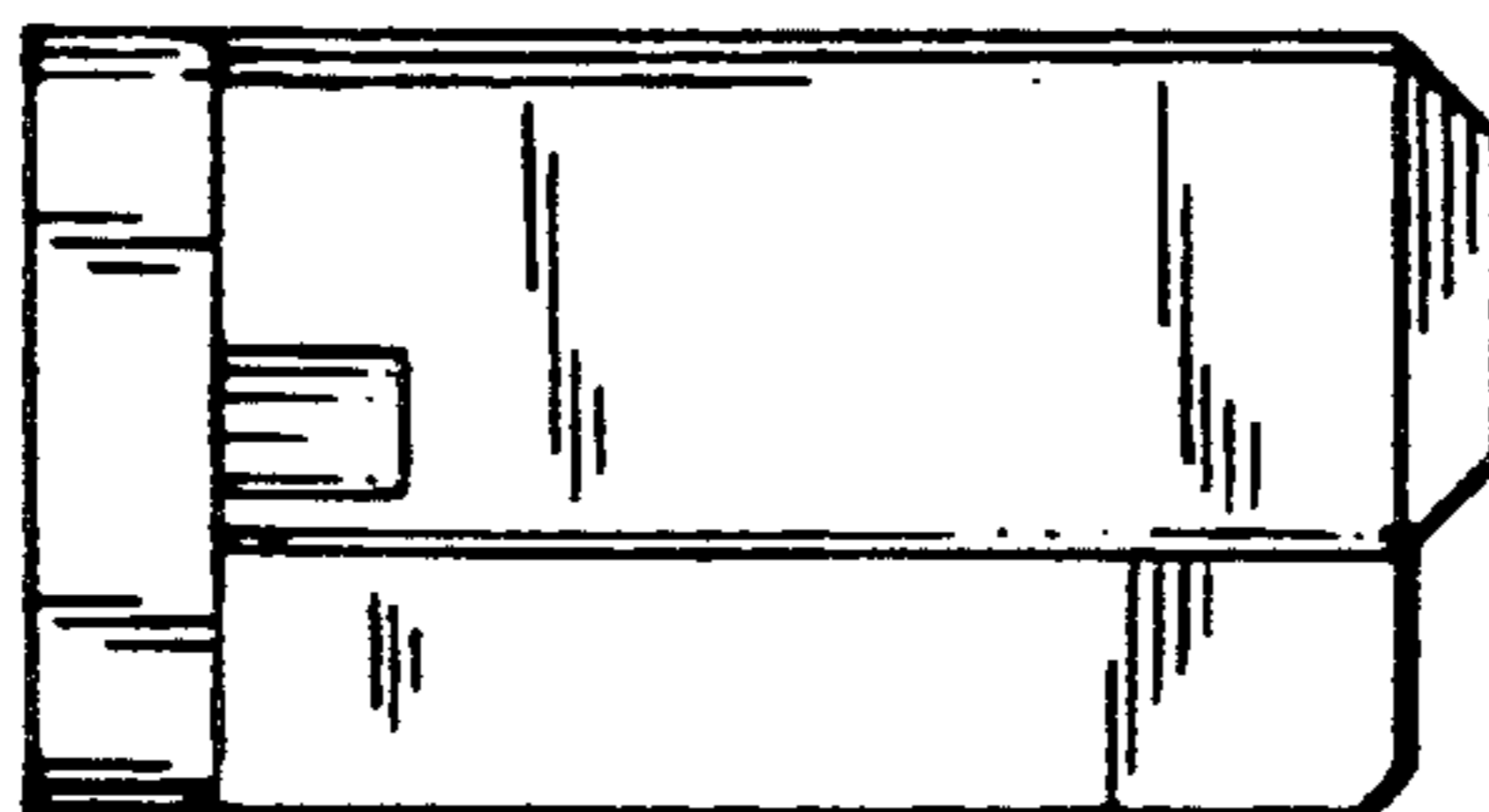


FIG. 6

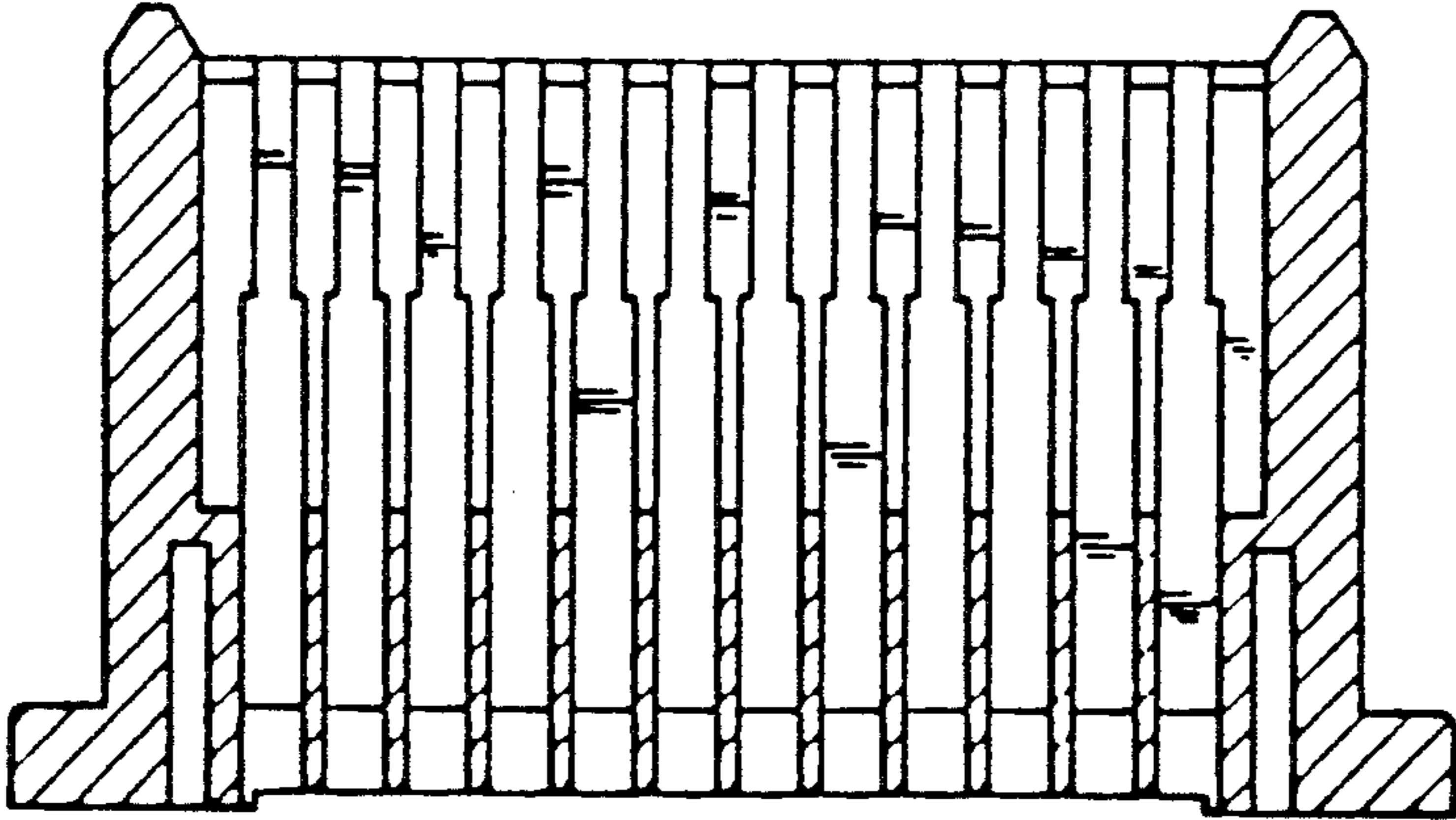


FIG. 7

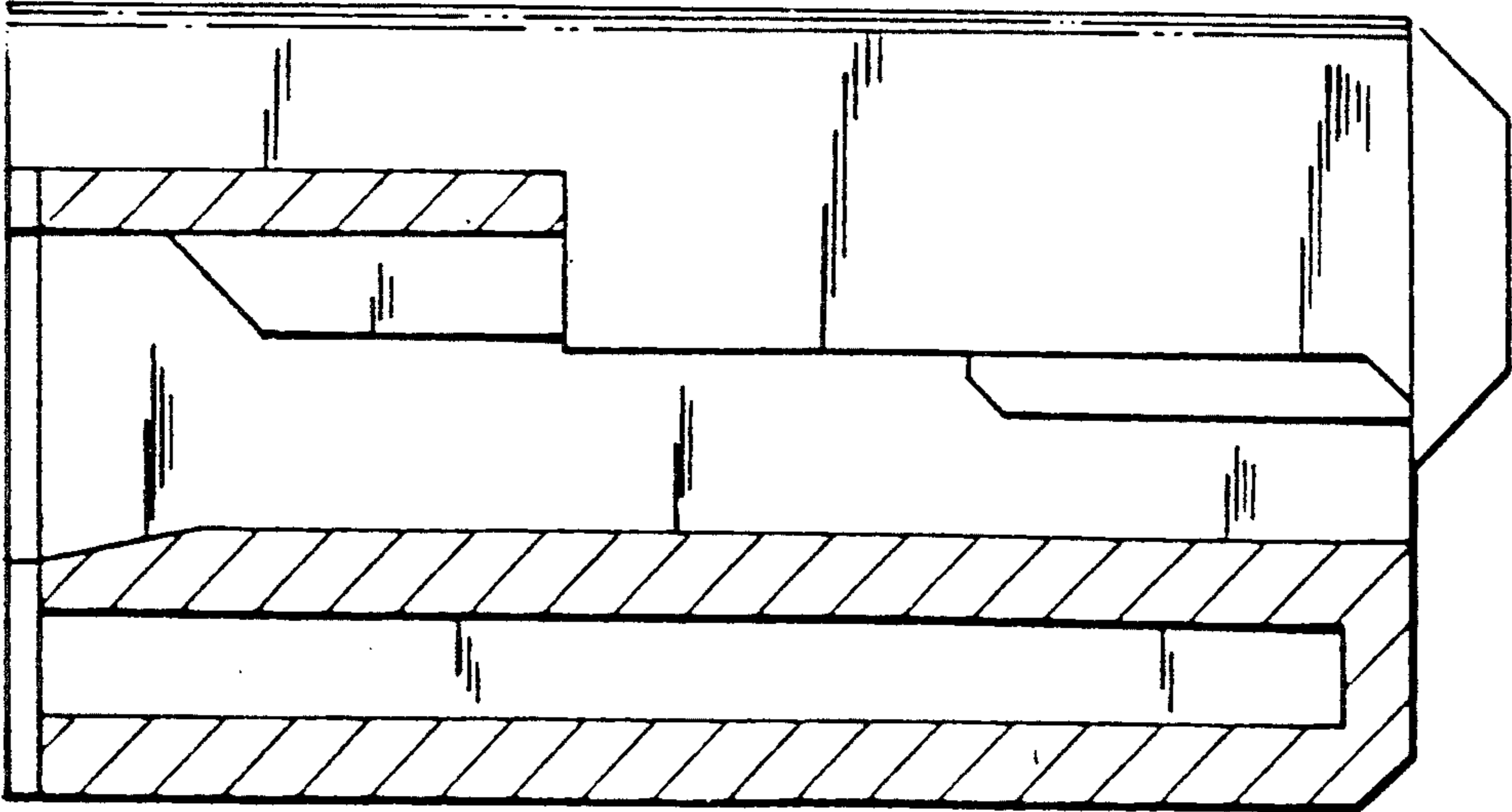


FIG. 8