



US00D327468S

United States Patent [19]

[11] Patent Number: **Des. 327,468**

Dea et al.

[45] Date of Patent: **** Jun. 30, 1992**

[54] PORTABLE, BATTERY, POWER SOURCE

5,039,930 8/1991 Collier et al. 320/2
5,077,513 12/1991 Dea et al. 320/2

[75] Inventors: **William S. Dea**, Bloomington; **James Luther**, Minneapolis, both of Minn.

Primary Examiner—Wallace R. Burke
Assistant Examiner—Joel Sincavage
Attorney, Agent, or Firm—Dorsey & Whitney

[73] Assignee: **Century Mfg. Co.**, Minneapolis, Minn.

[57] **CLAIM**

[**] Term: **14 Years**

The ornamental design for a portable, battery, power source, as shown.

[21] Appl. No.: **607,054**

[22] Filed: **Oct. 30, 1990**

DESCRIPTION

[52] U.S. Cl. **D13/104; D13/109; D13/118**

FIG. 1 is a front and upper right perspective view of a portable, battery, power source showing our new design;

[58] Field of Search **D13/103, 104, 109; 320/2**

FIG. 2 is a left side elevational view thereof;

FIG. 3 is a top plan view thereof;

FIG. 4 is a bottom plan view thereof;

FIG. 5 is a front elevational view thereof;

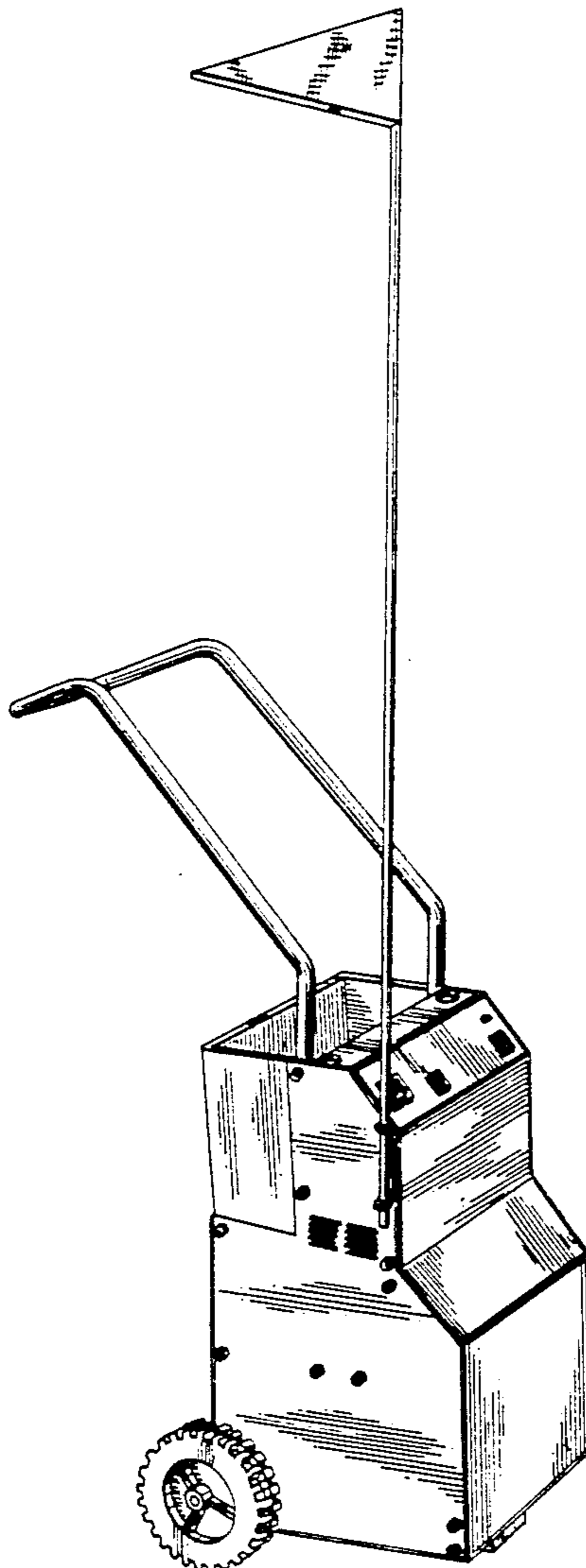
FIG. 6 is a rear elevational view thereof; and,

FIG. 7 is a right side elevational view thereof.

[56] **References Cited**

U.S. PATENT DOCUMENTS

D. 248,942 8/1978 Kniss D13/109
2,565,273 8/1951 Shuler et al. D13/109 X



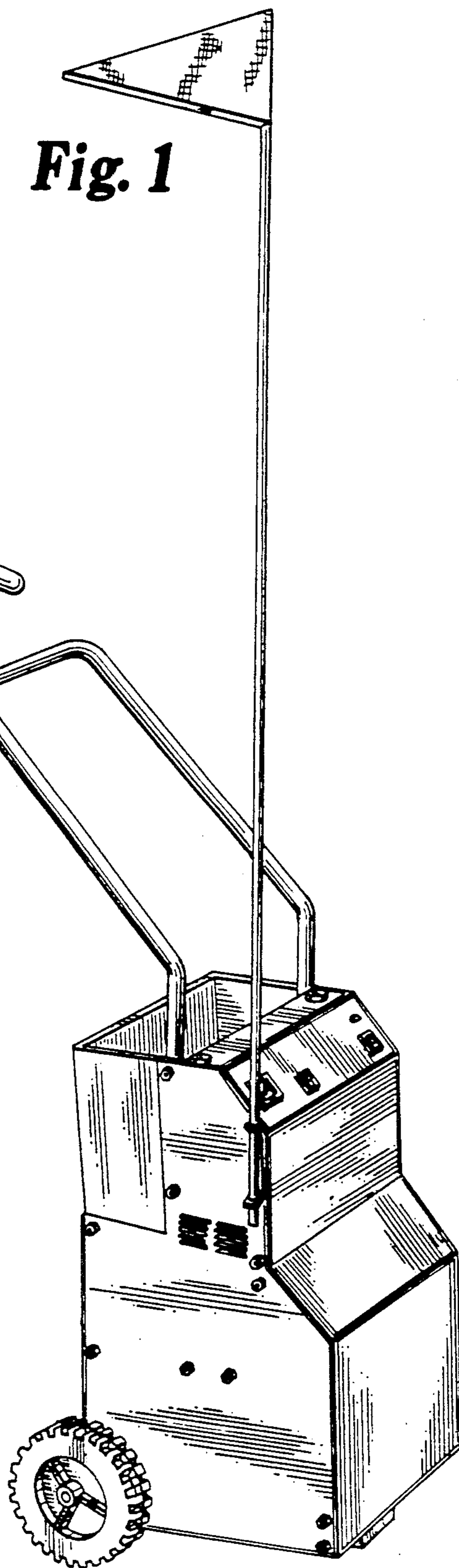
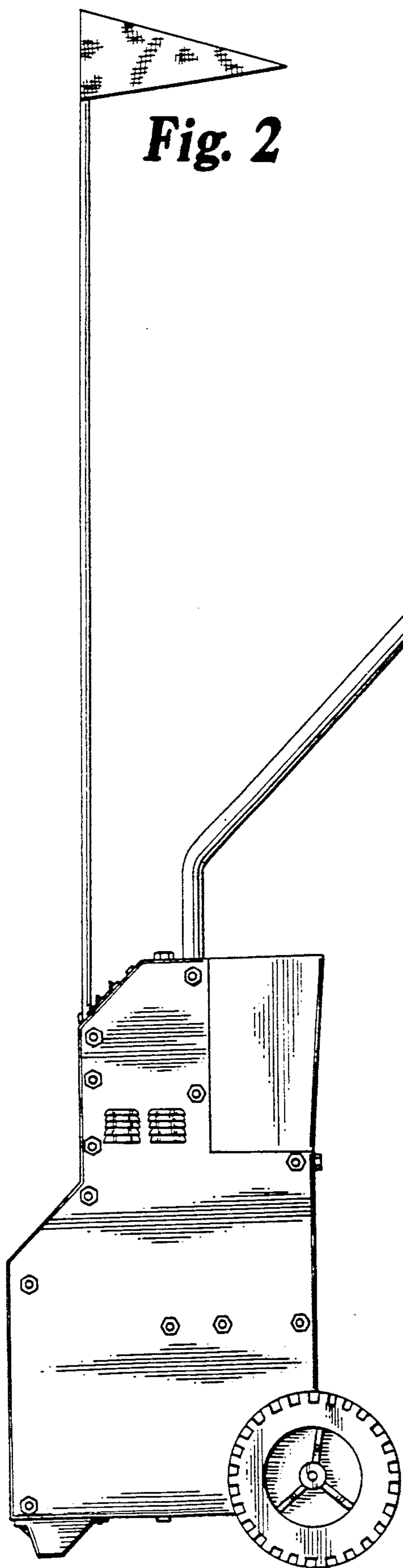


Fig. 3

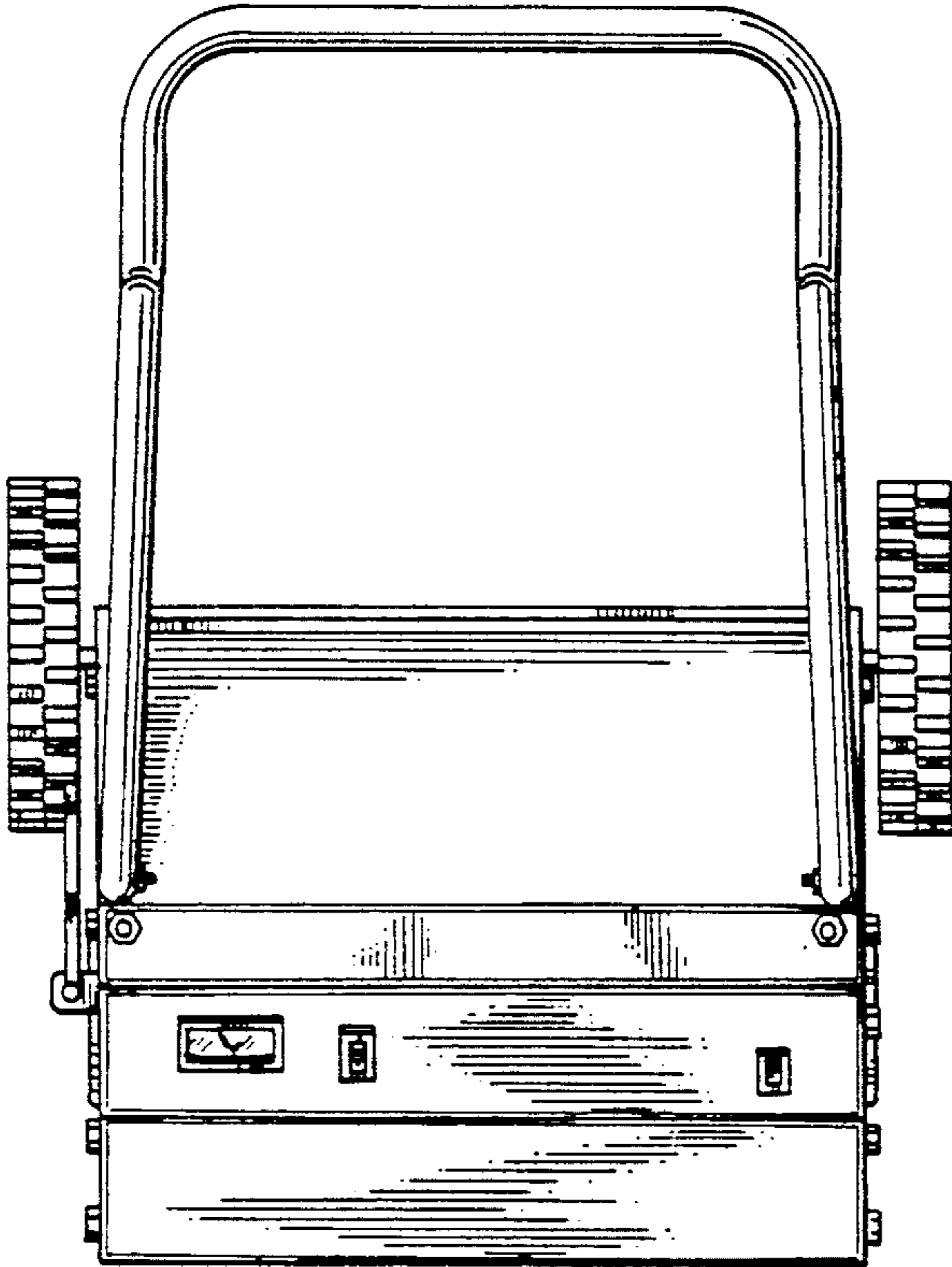


Fig. 4

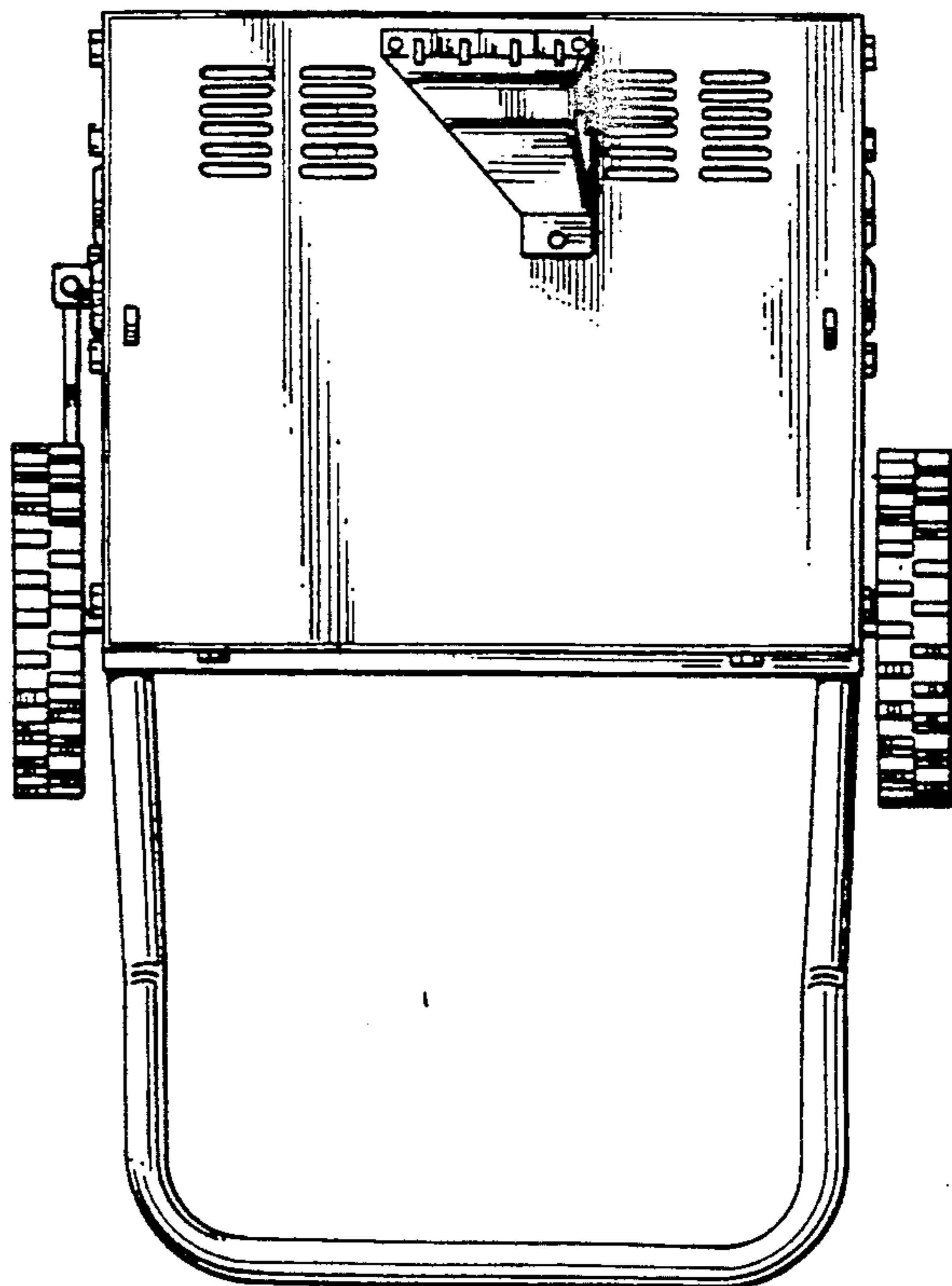


Fig. 5

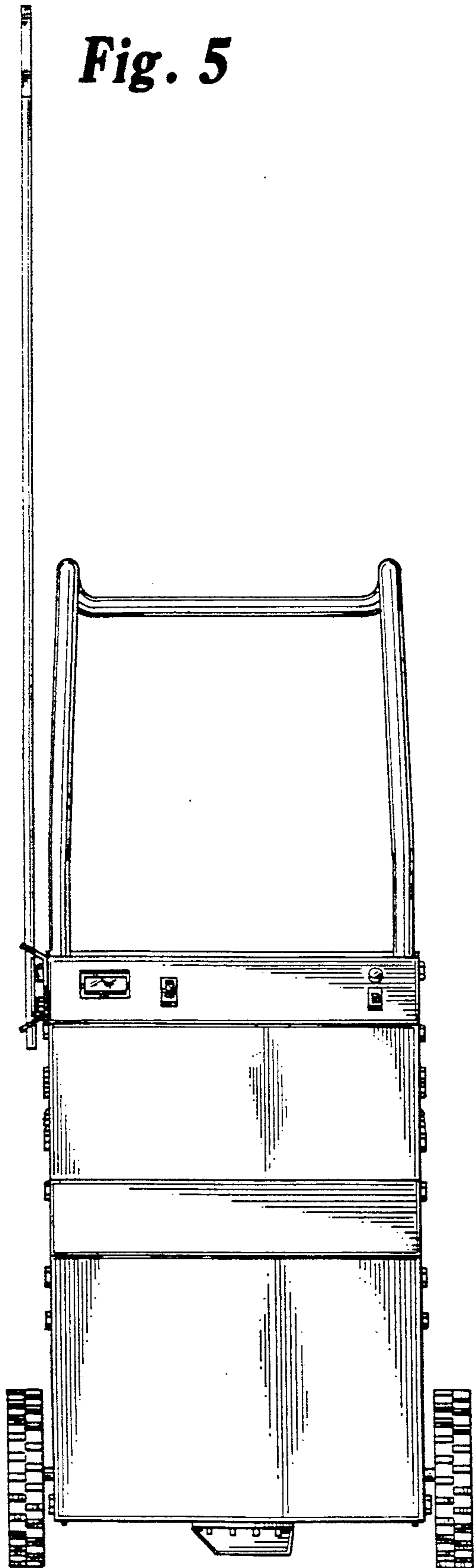


Fig. 6

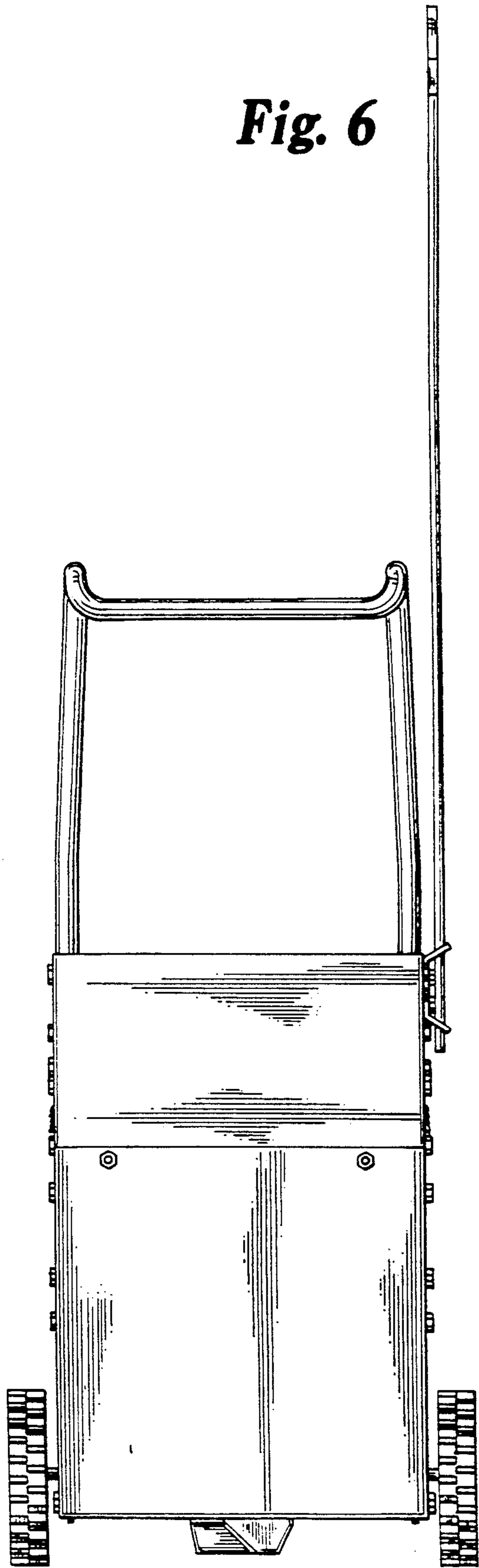


Fig. 7

