



US00D327467S

# United States Patent [19] Gallitzendörfer

[11] Patent Number: **Des. 327,467**

[45] Date of Patent: **\*\* Jun. 30, 1992**

[54] FRONT FACE OF A VEHICLE WHEEL

D. 259,930 7/1981 Sandberg ..... D12/211

[75] Inventor: **Josef Gallitzendörfer**, Sindelfingen,  
Fed. Rep. of Germany

[73] Assignee: **Mercedes-Benz AG**, Fed. Rep. of  
Germany

[\*\*] Term: **14 Years**

[21] Appl. No.: **505,543**

[22] Filed: **Apr. 6, 1990**

[30] **Foreign Application Priority Data**

Oct. 6, 1989 [DE] Fed. Rep. of Germany ... 8907046[U]

[52] U.S. Cl. .... **D12/211**

[58] Field of Search ..... D12/209, 211; 301/37 R,  
301/64 R, 64 SD, 65

[56] **References Cited**

**U.S. PATENT DOCUMENTS**

D. 253,232 10/1979 Boyer ..... D12/211

**OTHER PUBLICATIONS**

1987 Mercury Brochure, p. 10, Top AZ LS Wheel,  
bottom left side of page.

1985 Volkswagen Jetta Brochure, Wheel on front  
cover.

*Primary Examiner*—James M. Gandy

*Attorney, Agent, or Firm*—Evenson, Wands, Edwards,  
Lenahan & McKeown

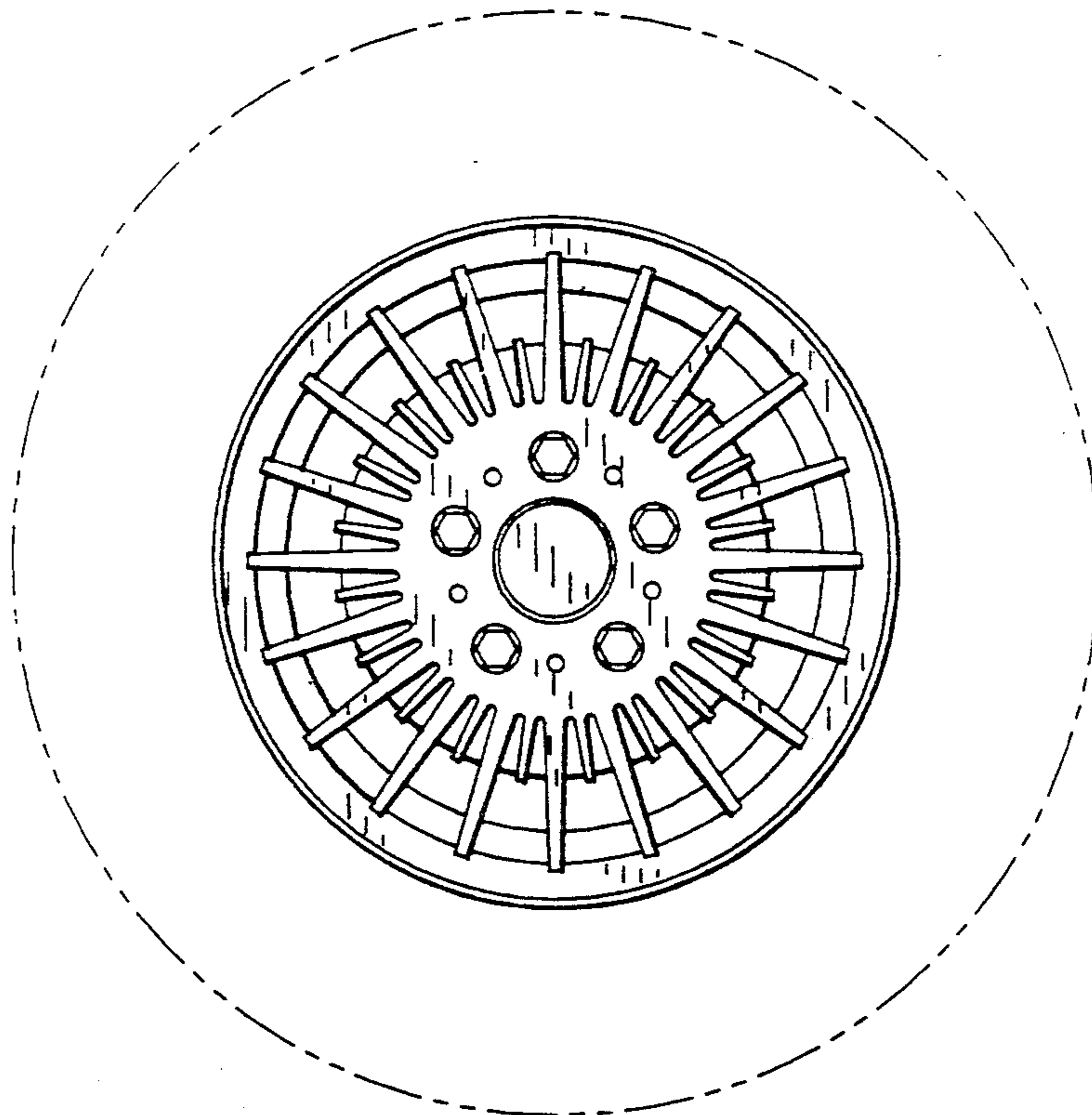
[57] **CLAIM**

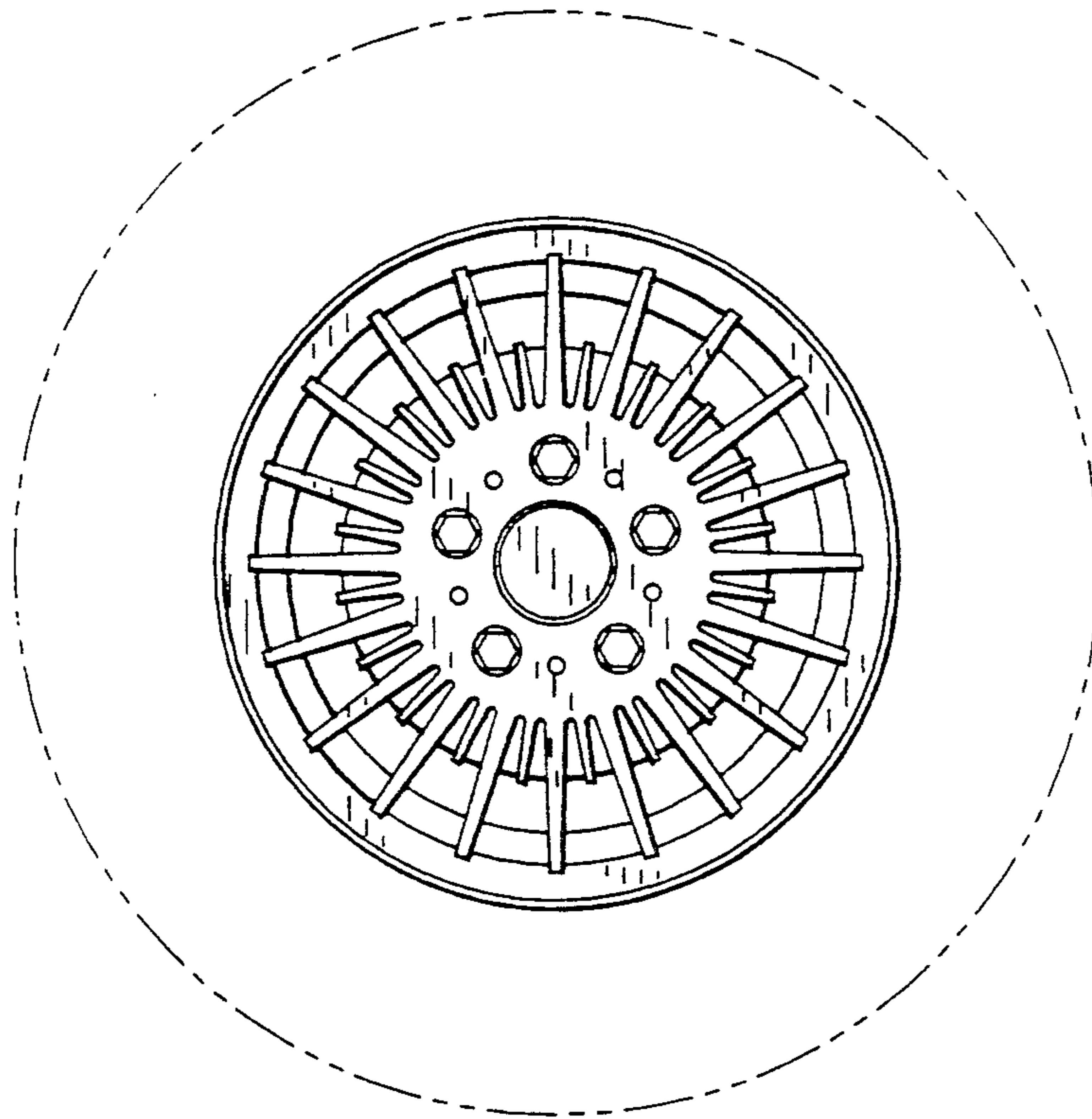
The ornamental design for a front face of a vehicle  
wheel, as shown and described.

**DESCRIPTION**

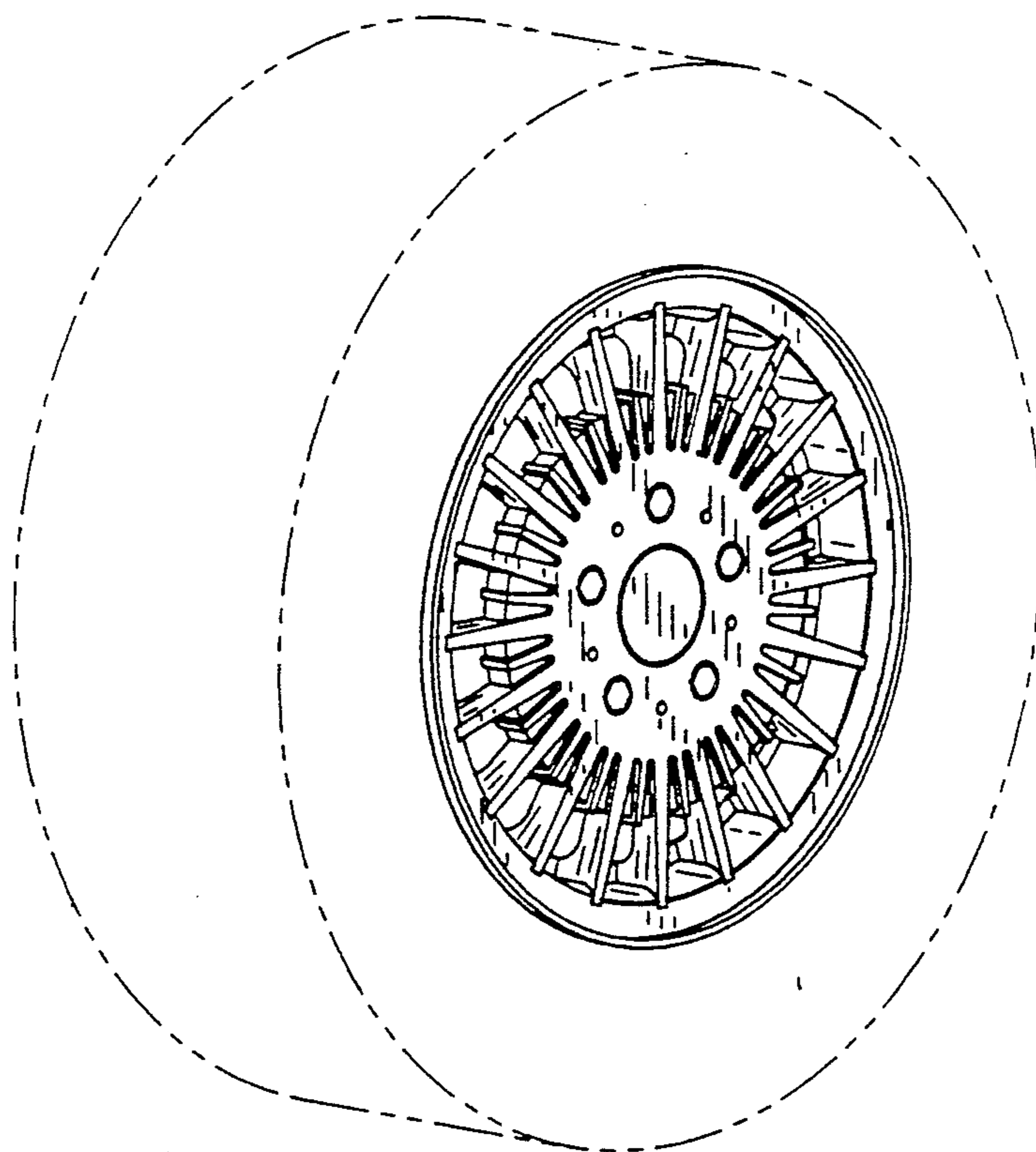
FIG. 1 is a front elevation view of a front face of a  
vehicle wheel embodying my novel design; and,  
FIG. 2 is a perspective view thereof.

The broken line showing of a tire in the drawing is for  
illustrative purposes only and forms no part of the  
claimed design.





**FIG. 1**



**FIG. 2**