



US00D327464S

United States Patent [19]

[11] Patent Number: **Des. 327,464**

Mukics

[45] Date of Patent: **** Jun. 30, 1992**

[54] **GOLF CART TOW BAR WITH ALTERNATIVE CONNECTIONS**

4,725,068 2/1988 Taylor et al. 280/494
5,037,123 8/1991 Smith 280/477

[76] Inventor: **Wendell J. Mukics, 706 Mortimer St., Bethlehem, Pa. 18015**

Primary Examiner—James M. Gandy
Assistant Examiner—Melody Brown
Attorney, Agent, or Firm—Eckert Seamans Cherin & Mellott

[**] Term: **14 Years**

[21] Appl. No.: **515,259**

[57] **CLAIM**

[22] Filed: **Apr. 27, 1990**

The ornamental design for a golf cart tow bar with alternative connectitons, as shown.

[52] U.S. Cl. **D12/162**

[58] Field of Search D12/162; 280/493, 494, 280/515, 416.1, DIG. 5, 501, 477

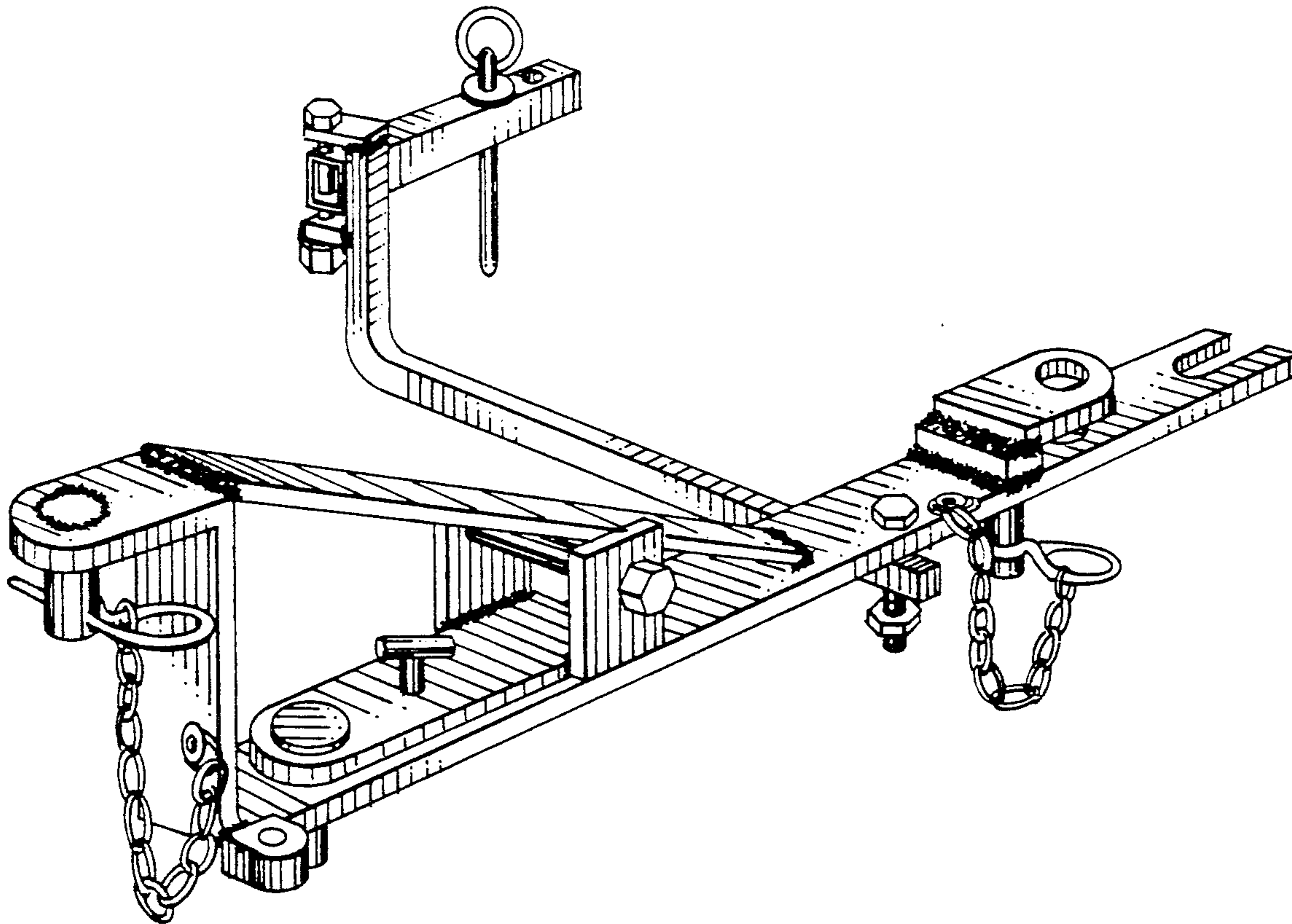
DESCRIPTION

[56] **References Cited**

U.S. PATENT DOCUMENTS

2,570,933 10/1951 Fobes et al. 280/501
4,317,580 3/1982 Scarnato et al. 280/515
4,484,760 11/1984 Puch 280/515
4,640,658 2/1987 Webb, Jr. 280/416.1

FIG. 1 is a perspective view of the golf cart tow bar with alternative connections showing my design;
FIG. 2 is a top plan view thereof;
FIG. 3 is a side elevation view thereof;
FIG. 4 is a bottom plan view thereof;
FIG. 5 is a front elevation view thereof; and,
FIG. 6 is a rear elevation view thereof.



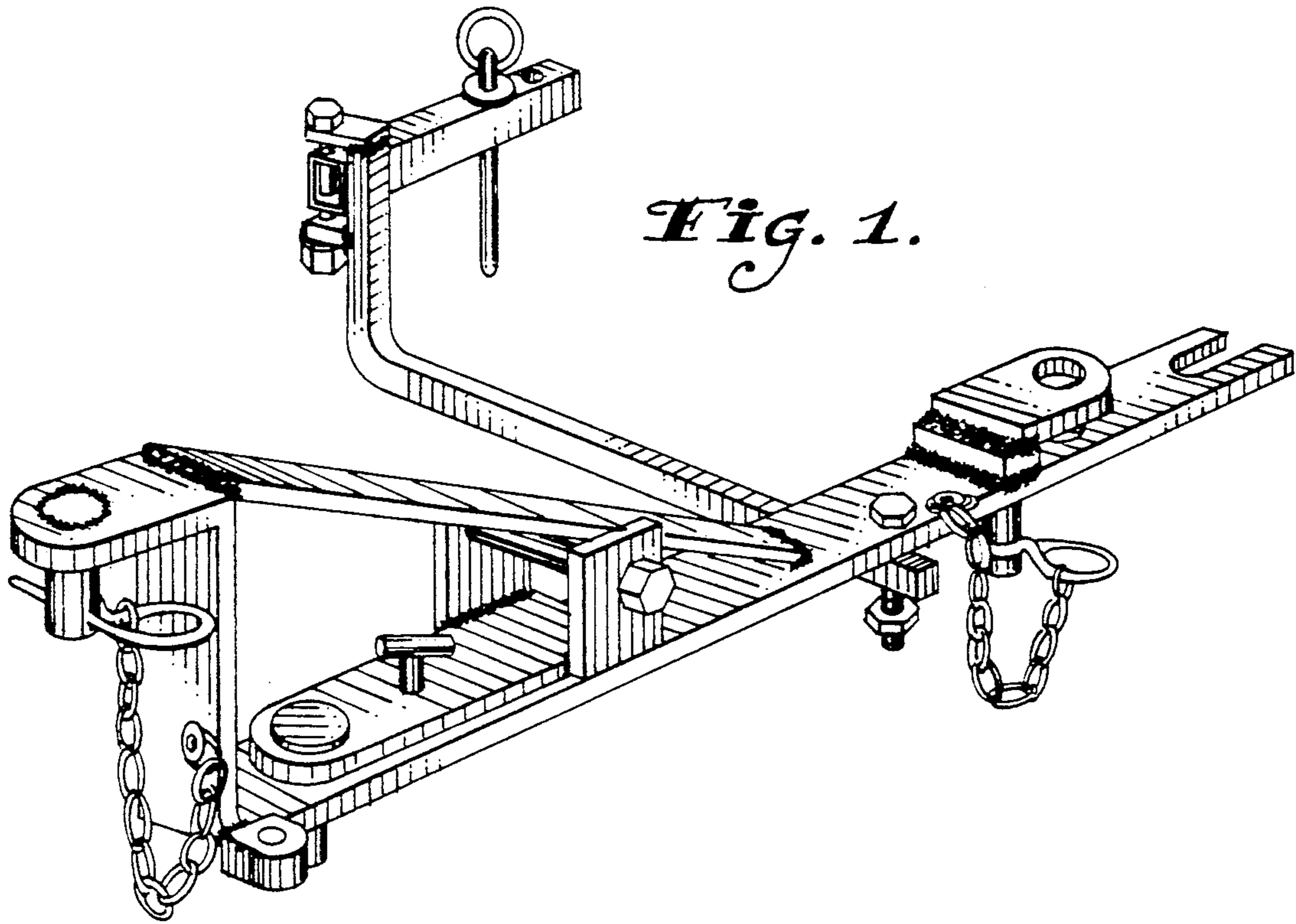


Fig. 1.

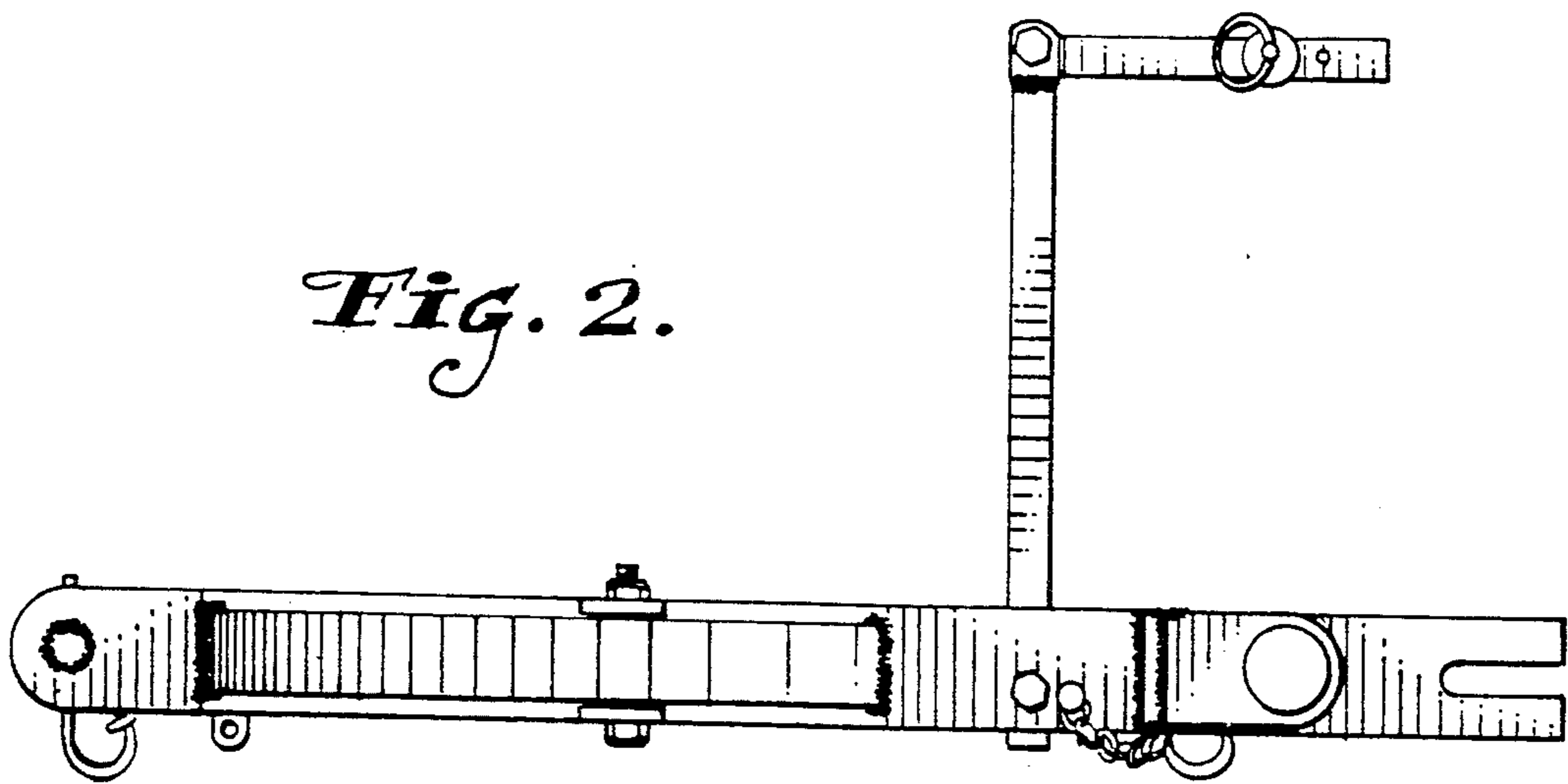


Fig. 2.

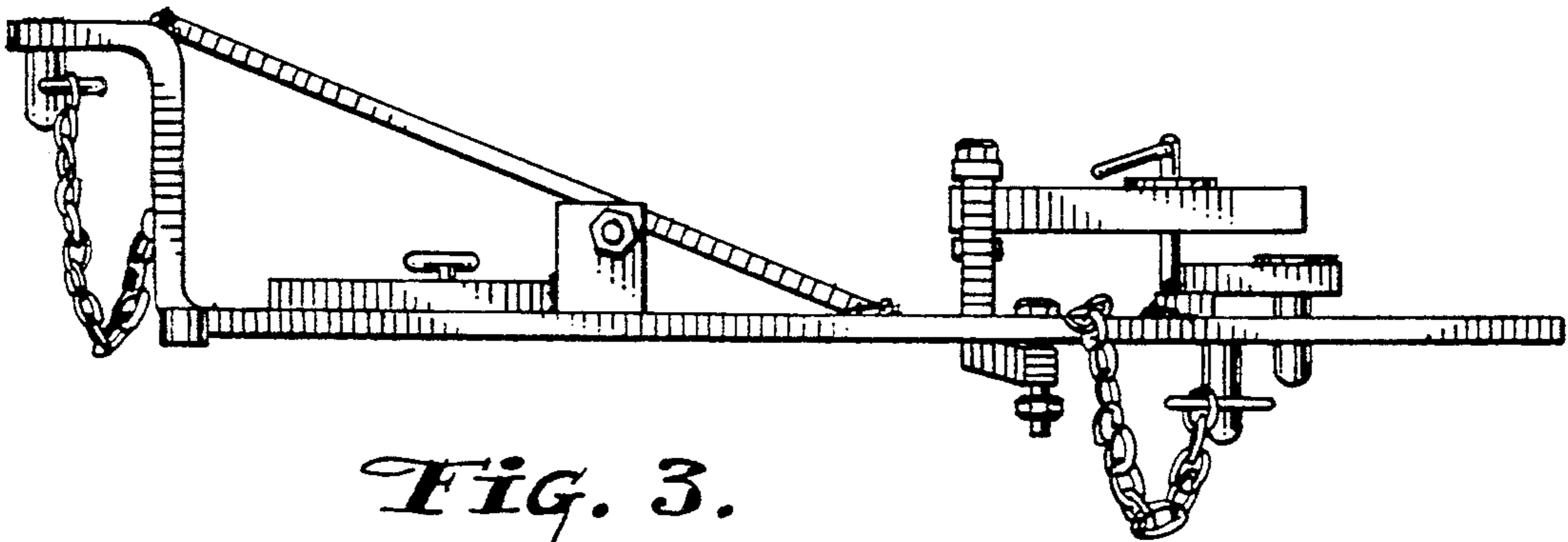


Fig. 3.

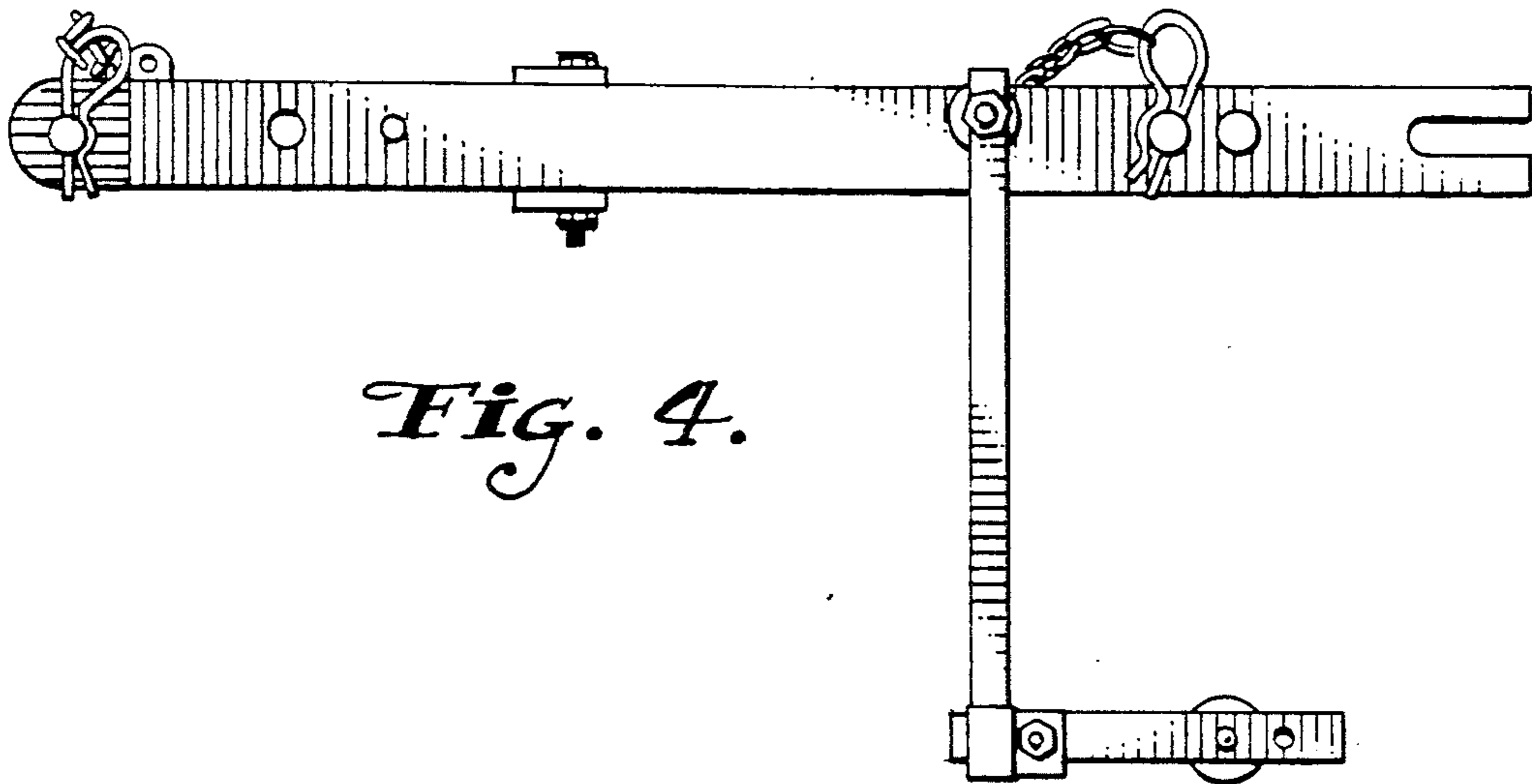


Fig. 4.

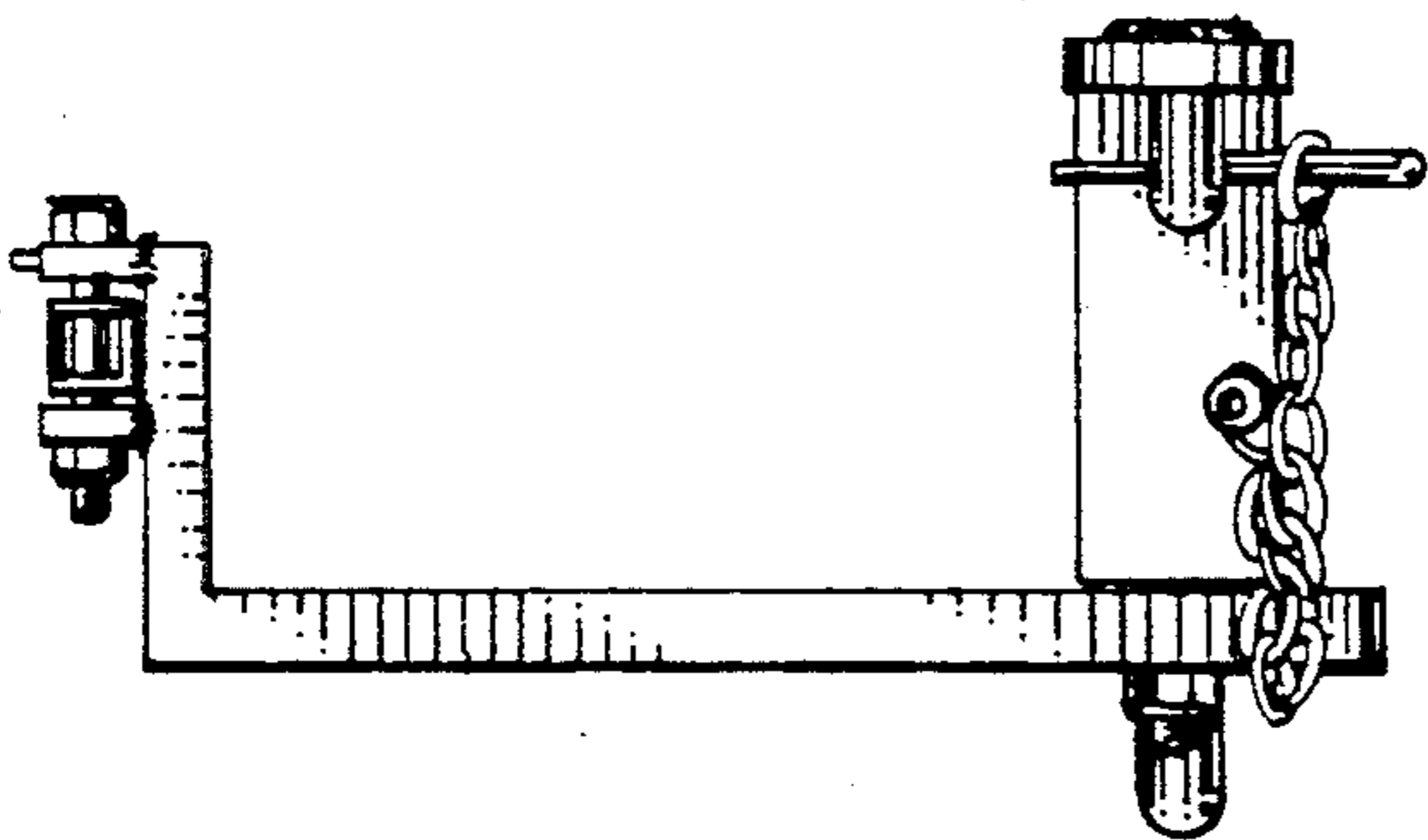


Fig. 5.

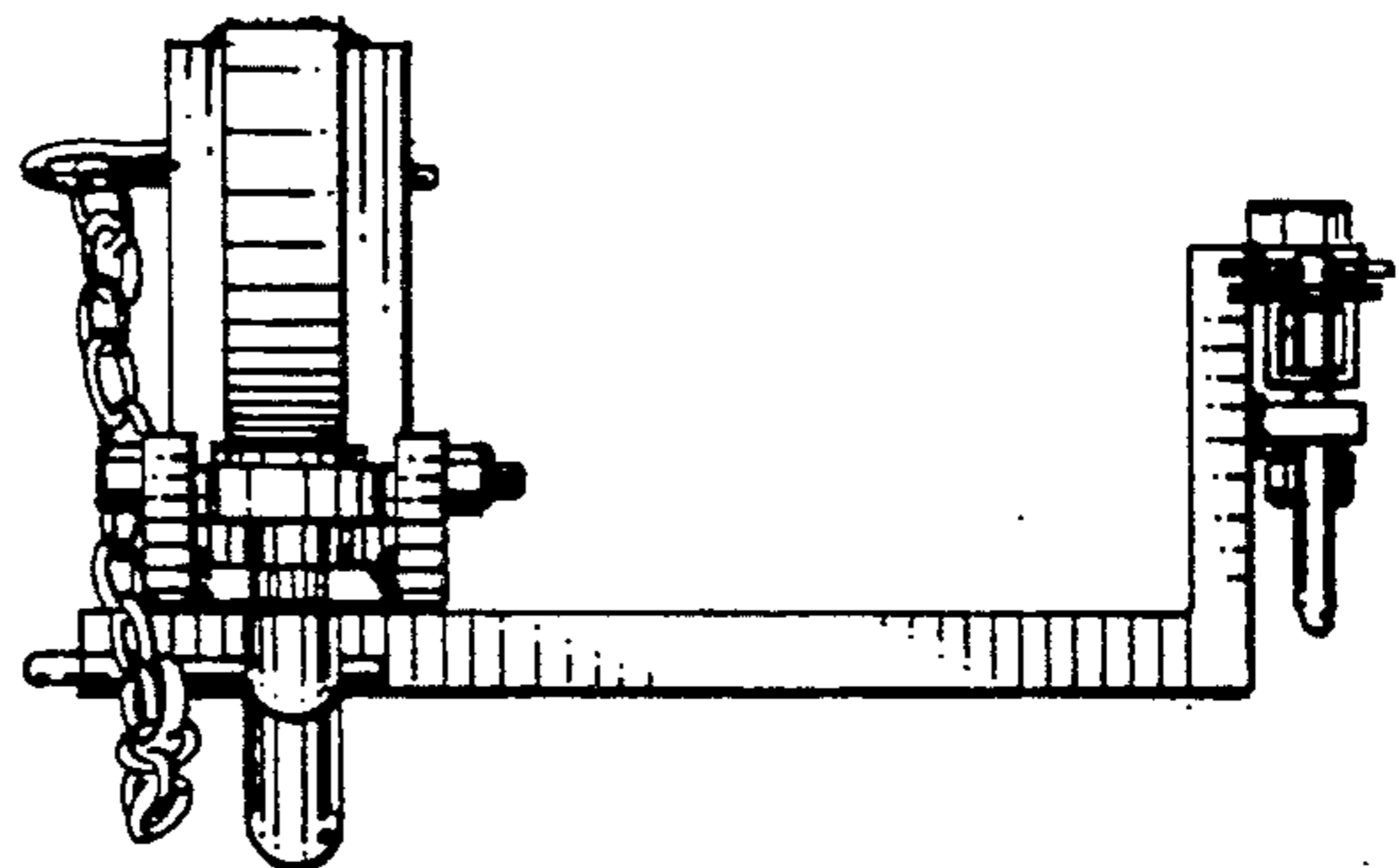


Fig. 6.