



US00D327462S

United States Patent [19]

Dingman

[11] Patent Number: Des. 327,462

[45] Date of Patent: ** Jun. 30, 1992

[54] REMOVABLE VEHICLE TOP

[76] Inventor: Gerald Dingman, 637 East Dr.,
Delray Beach, Fla. 33445

[**] Term: 14 Years

[21] Appl. No.: 462,442

[22] Filed: Jan. 9, 1990

[52] U.S. Cl. D12/156; D12/9;
D12/157

[58] Field of Search D12/156, 157, 9, 11;
296/99.1, 100, 102, 210, 164

[56] **References Cited**

U.S. PATENT DOCUMENTS

- D. 208,151 7/1967 Long D12/156
- D. 283,704 5/1986 Higgins D12/156
- 3,584,592 6/1971 Perrine 115/1

- 3,933,112 1/1976 Veazey 115/1
- 4,412,404 11/1983 Manning 52/19
- 4,802,433 2/1989 Kovac 114/270

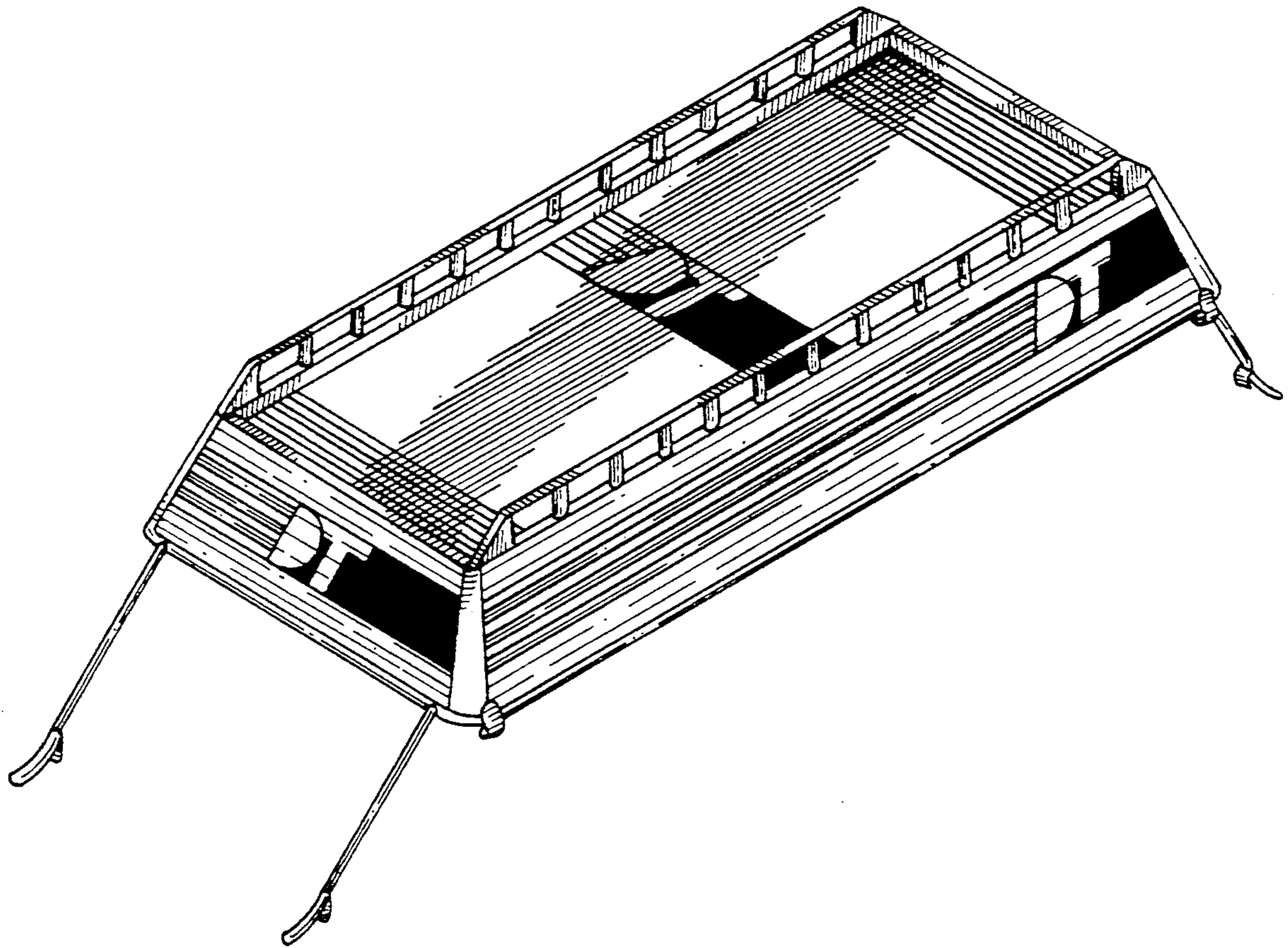
Primary Examiner—James M. Gandy
Attorney, Agent, or Firm—Terry M. Gernstein

[57] **CLAIM**

The ornamental design for a removable vehicle top, as shown and described.

DESCRIPTION

FIG. 1 is a top perspective view of the removable vehicle top embodying the design of the present invention; FIG. 2 is a side elevational view thereof, the side opposite being a mirror image of the side shown in FIG. 2; FIG. 3 is an end elevational view thereof, the end opposite being a mirror image of the end shown in FIG. 3; FIG. 4 is a top plan view thereof; and, FIG. 5 is a bottom perspective view thereof.



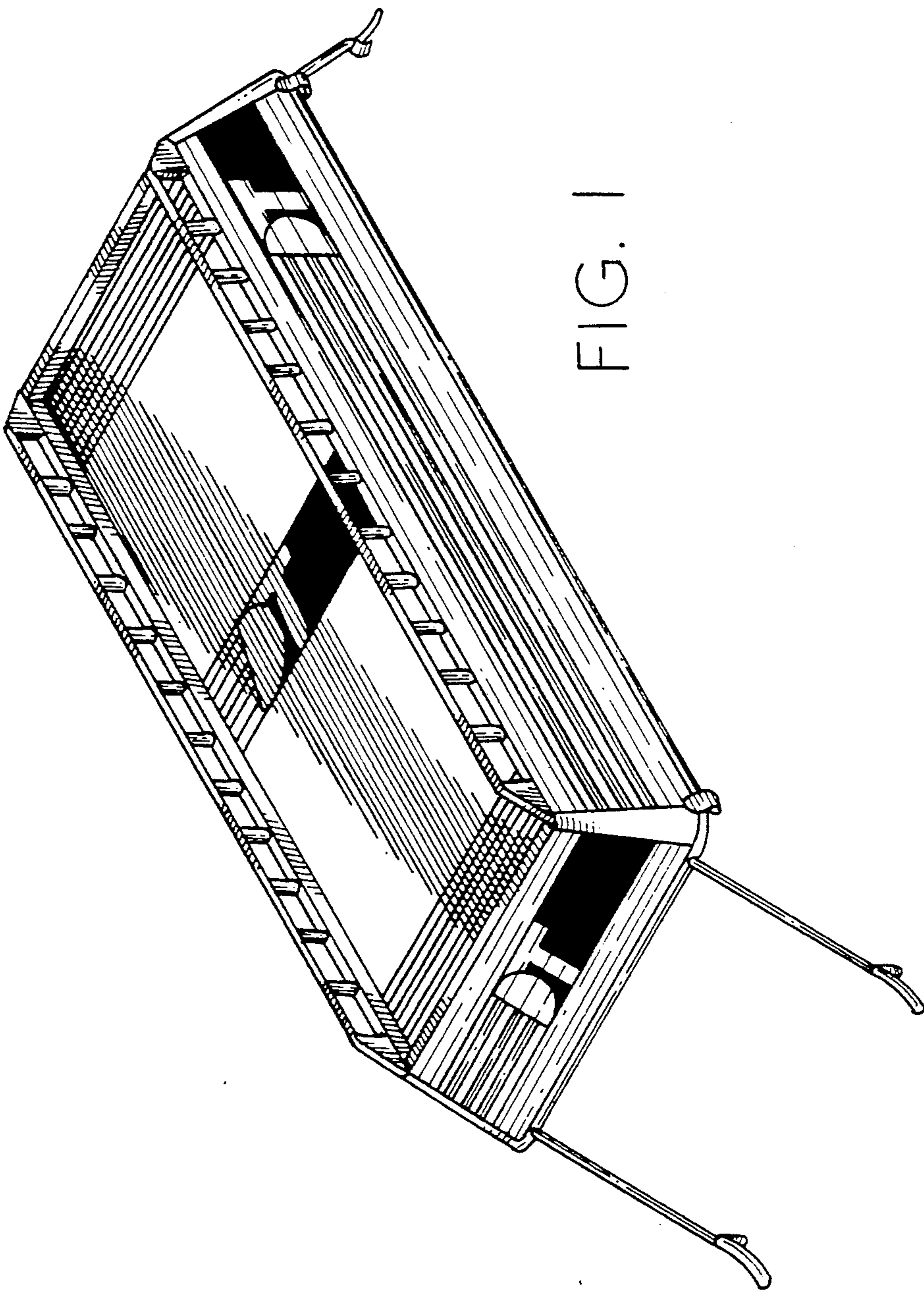


FIG. 1

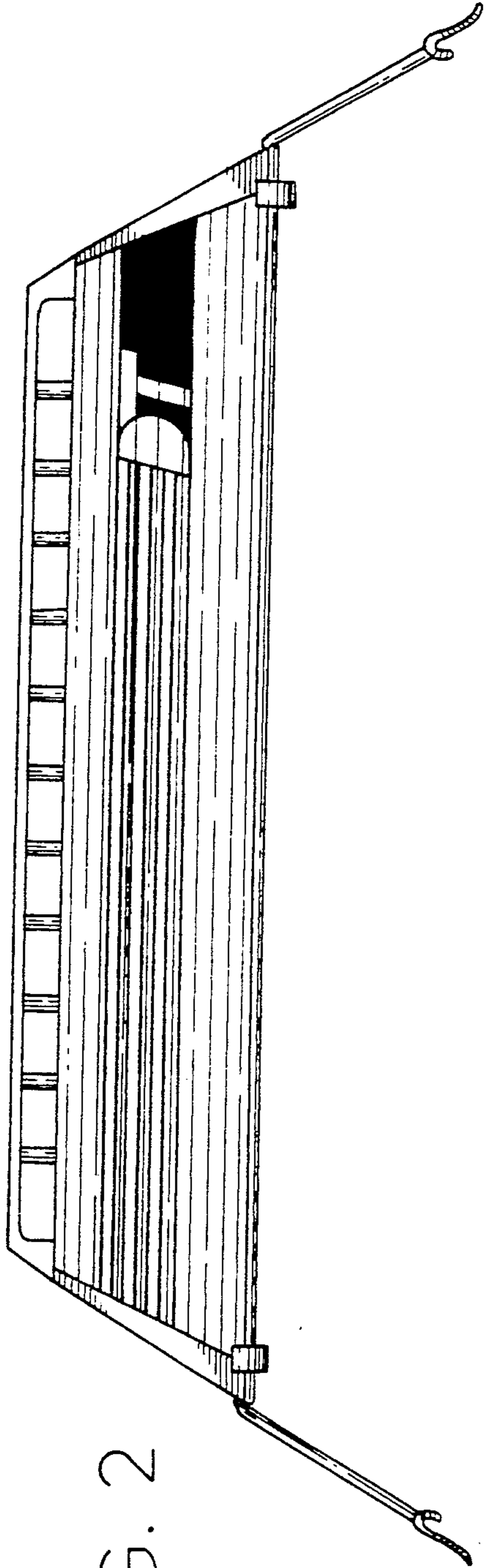


FIG. 2

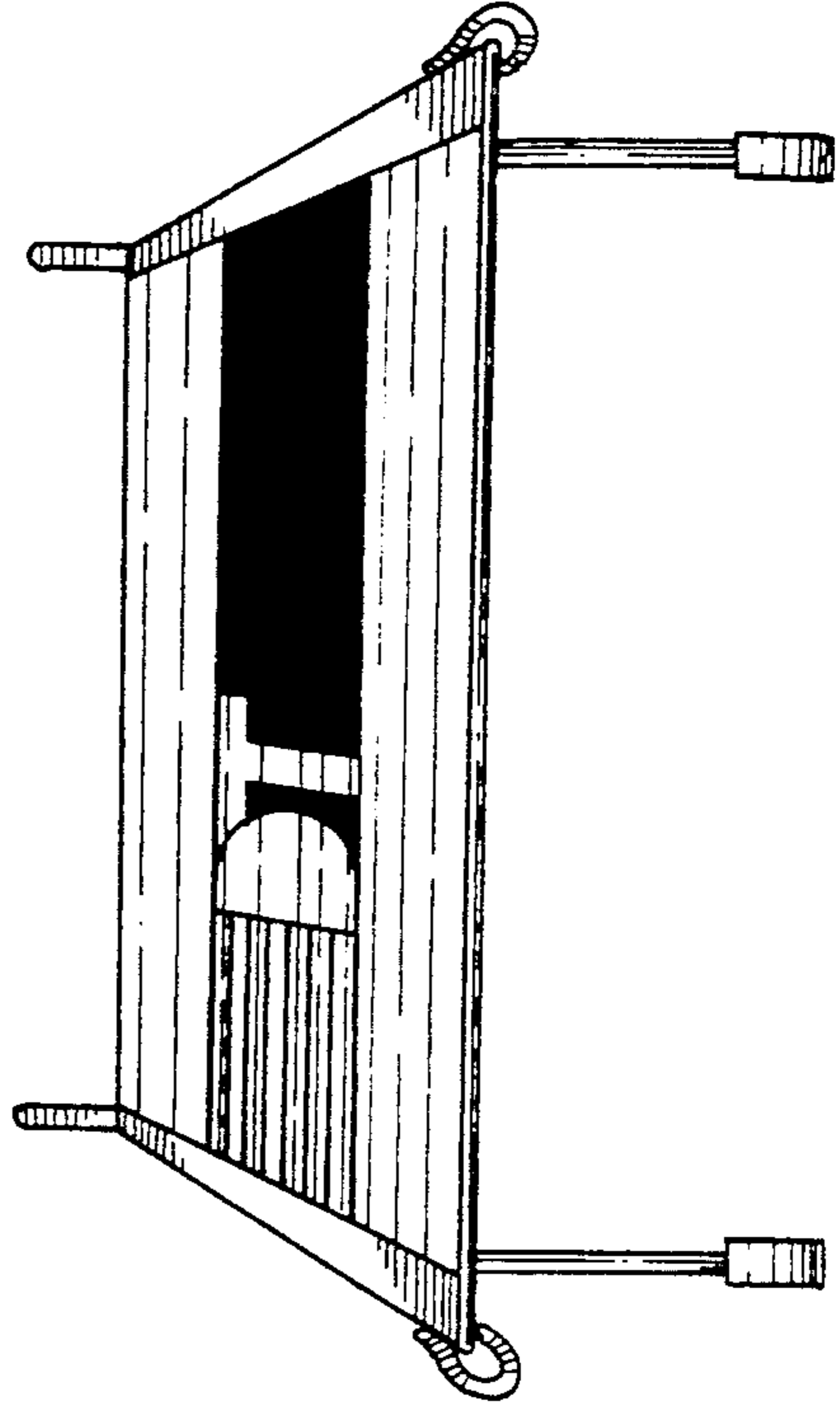


FIG. 3

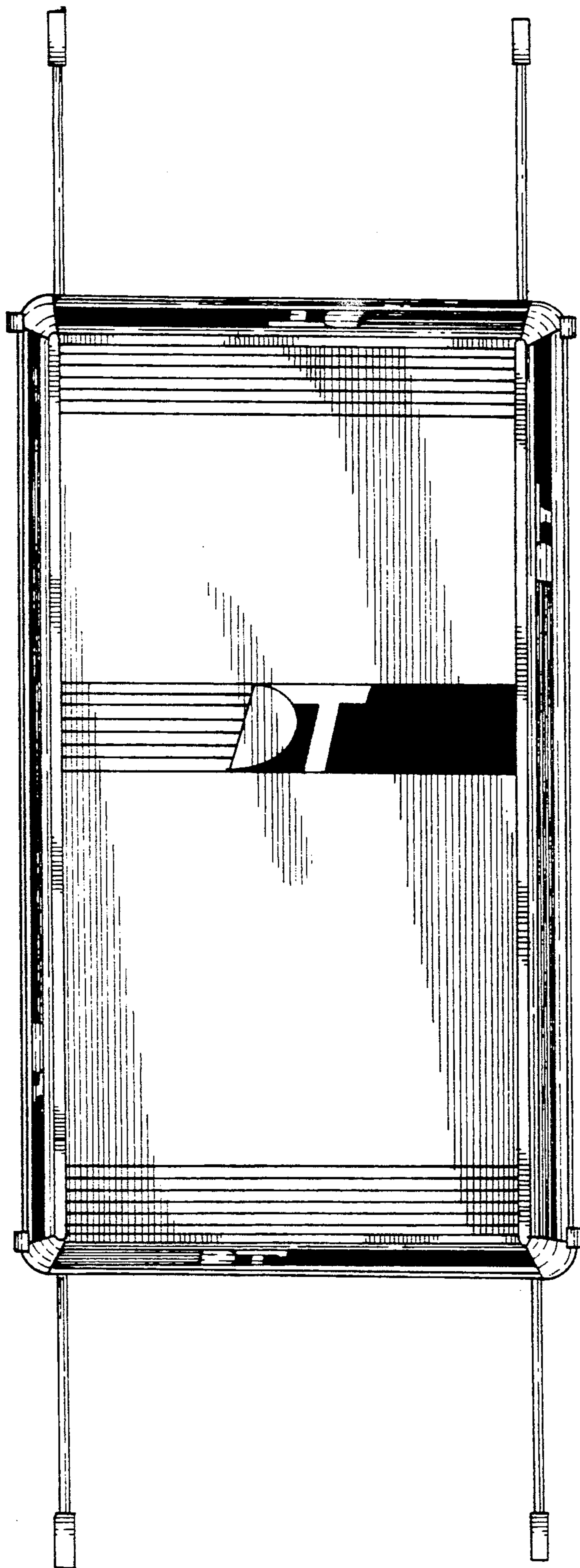


FIG. 4

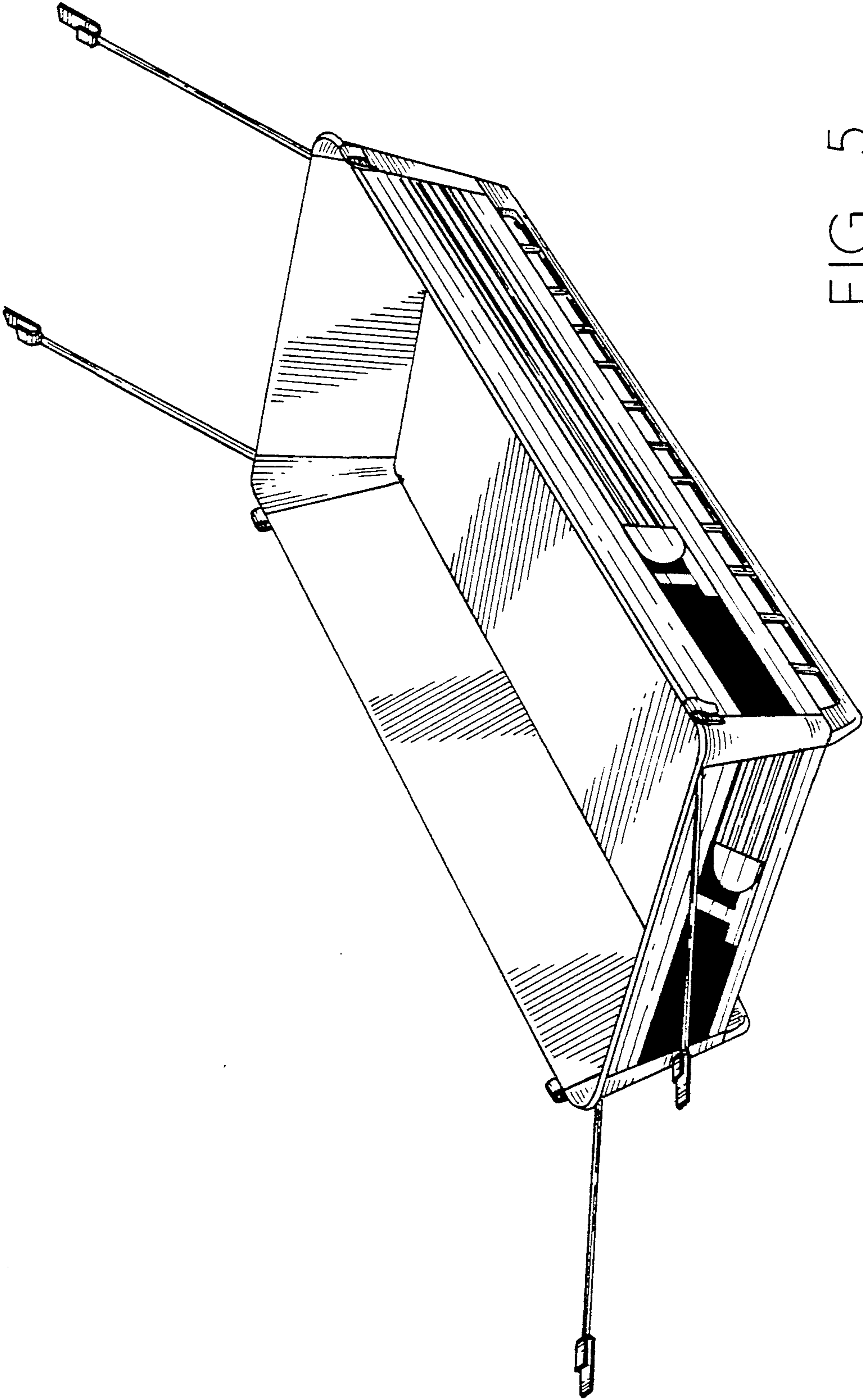


FIG. 5