



US00D327458S

United States Patent [19]

[11] Patent Number: **Des. 327,458**

Martinell

[45] Date of Patent: **** Jun. 30, 1992**

[54] **WALL-MOUNTED FOLD-DOWN BICYCLE STORAGE RACK**

D. 313,957 1/1991 Martinell et al. D12/115
2,956,689 10/1960 Van der Togt D6/566 X
3,770,133 11/1973 Rolker 211/19

[76] Inventor: **Steven W. Martinell**, 805 Manzanita Way, Vancouver, Wash. 98661

Primary Examiner—Brian N. Vinson

[**] Term: **14 Years**

[57] CLAIM

[21] Appl. No.: **567,664**

The ornamental design for a wall-mounted fold-down bicycle storage rack, as shown and described.

[22] Filed: **Aug. 15, 1990**

DESCRIPTION

[52] U.S. Cl. **D12/115; D6/552; D6/566**

FIG. 1 is a top, front, and right side perspective view of a wall-mounted fold-down bicycle storage rack showing my new design;

[58] Field of Search **D6/552, 566-567; D12/115; 211/13, 17-19, 134, 181-182**

FIG. 2 is an enlarged front elevational view thereof;

[56] **References Cited**

FIG. 3 is an enlarged right side elevational view thereof, the left side being a mirror image of that shown;

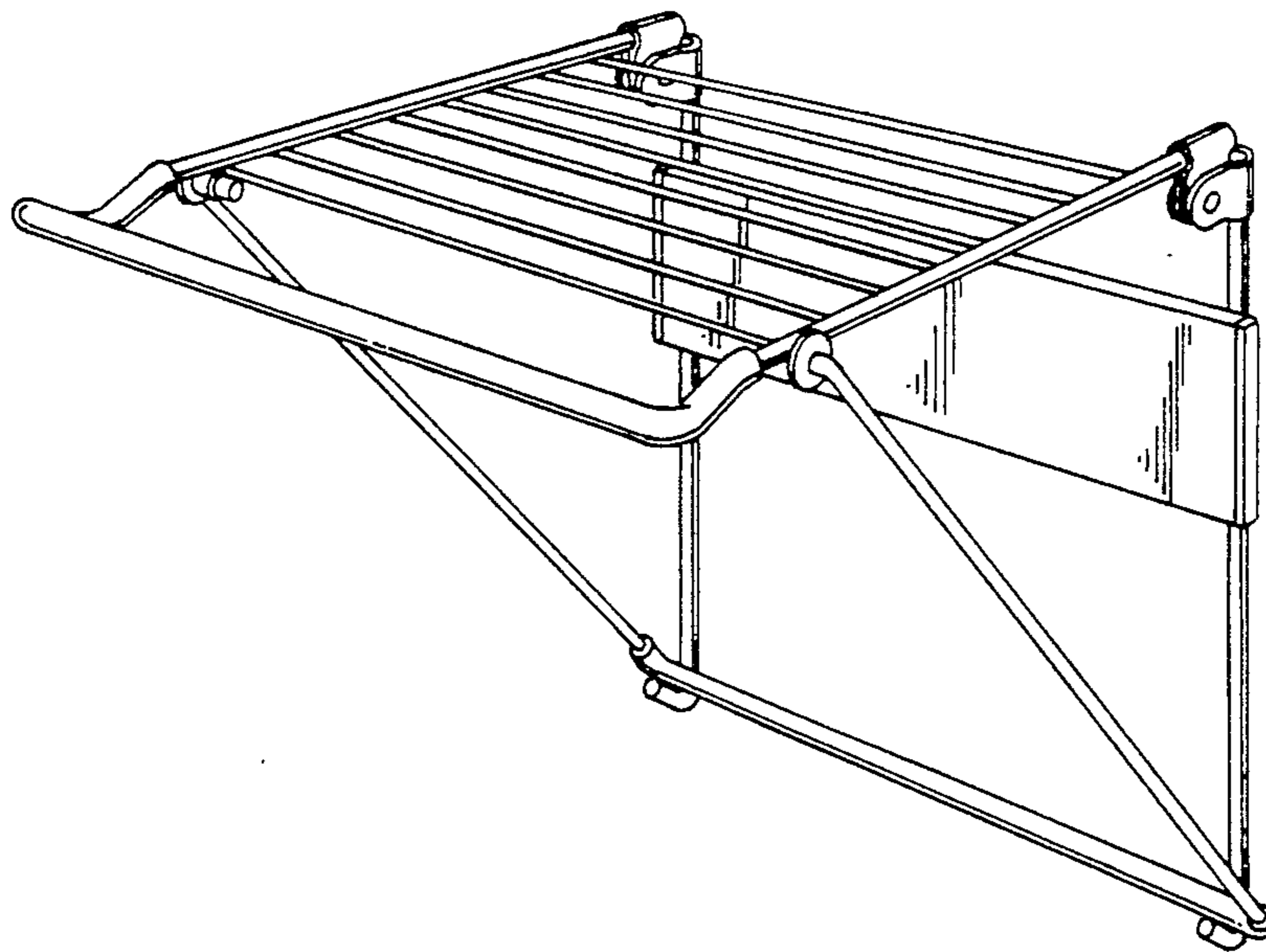
U.S. PATENT DOCUMENTS

D. 235,427 6/1975 Generalis et al. D12/115
D. 303,470 9/1989 Razumov D6/566 X

FIG. 4 is an enlarged rear elevational view thereof;

FIG. 5 is an enlarged top plan view thereof; and,

FIG. 6 is an enlarged bottom plan view thereof.



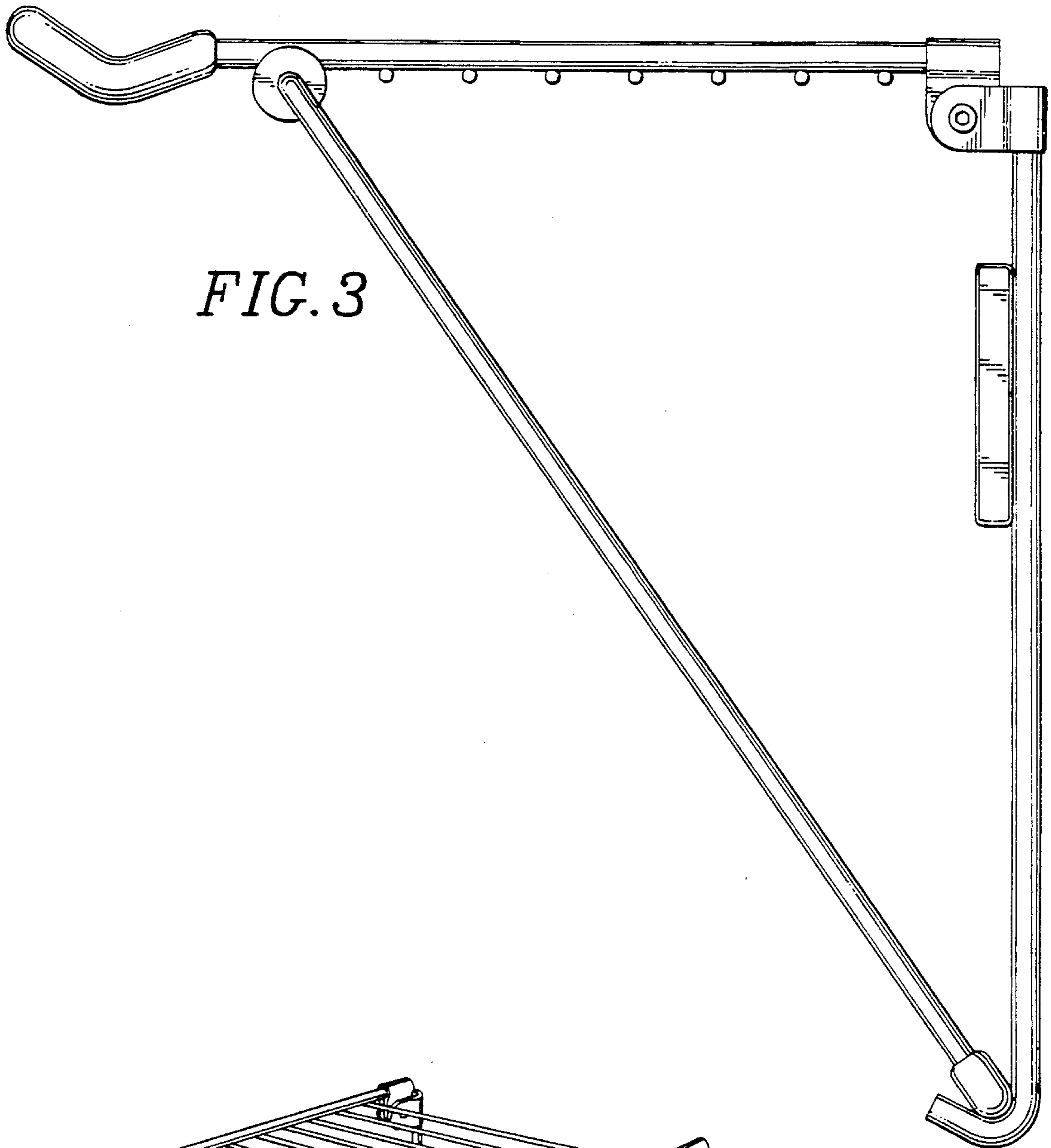


FIG. 3

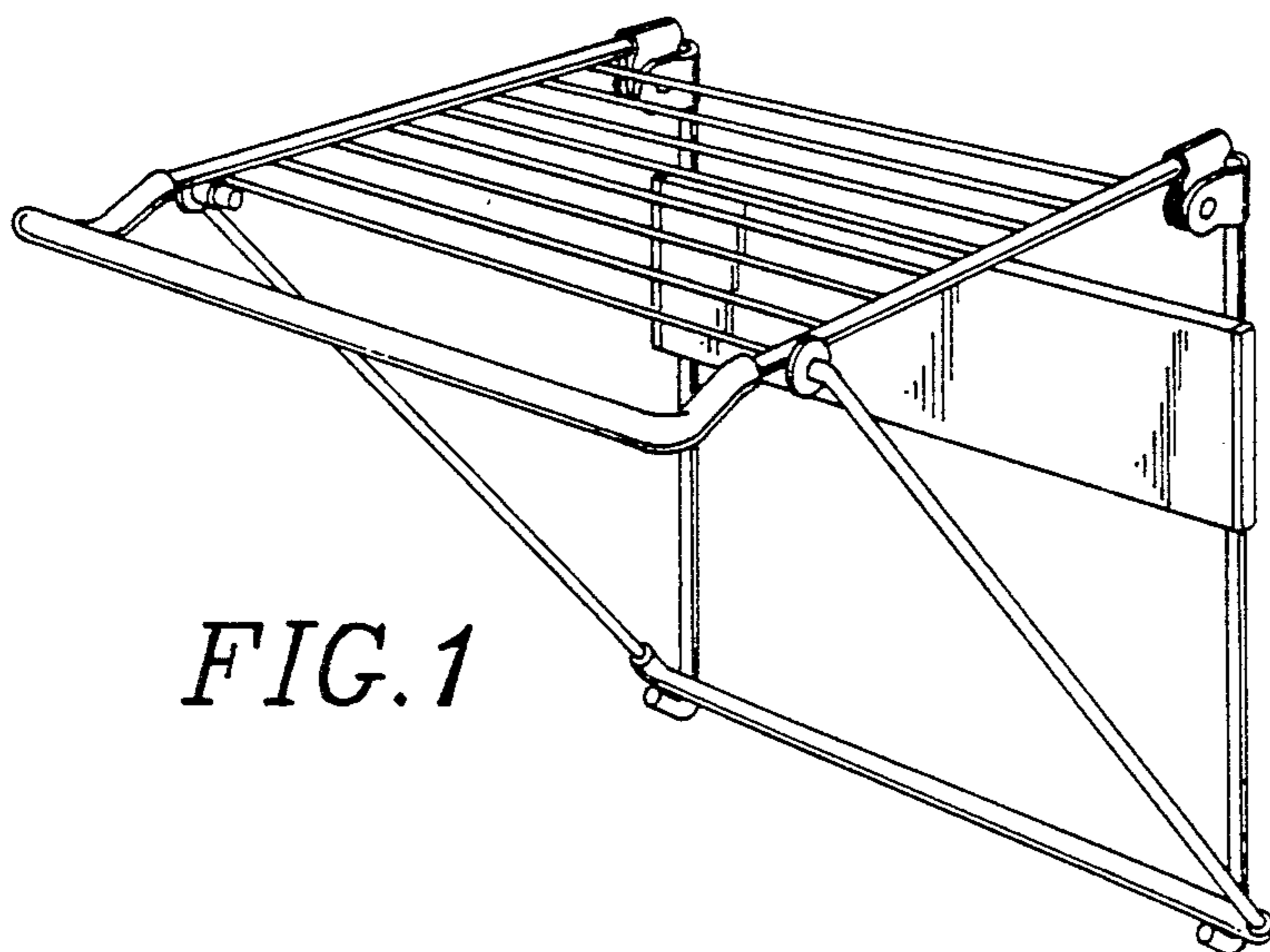


FIG. 1

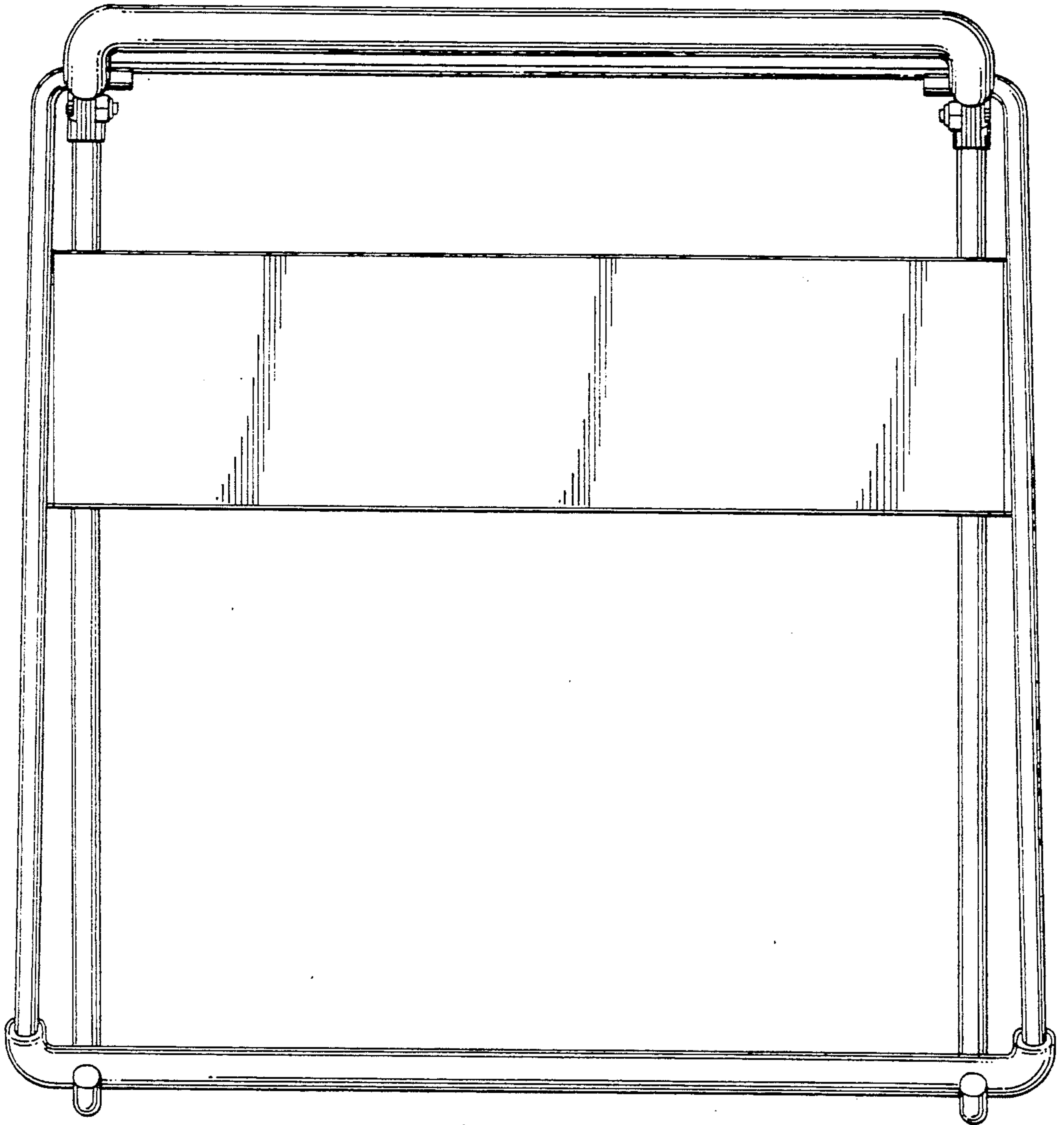


FIG. 2

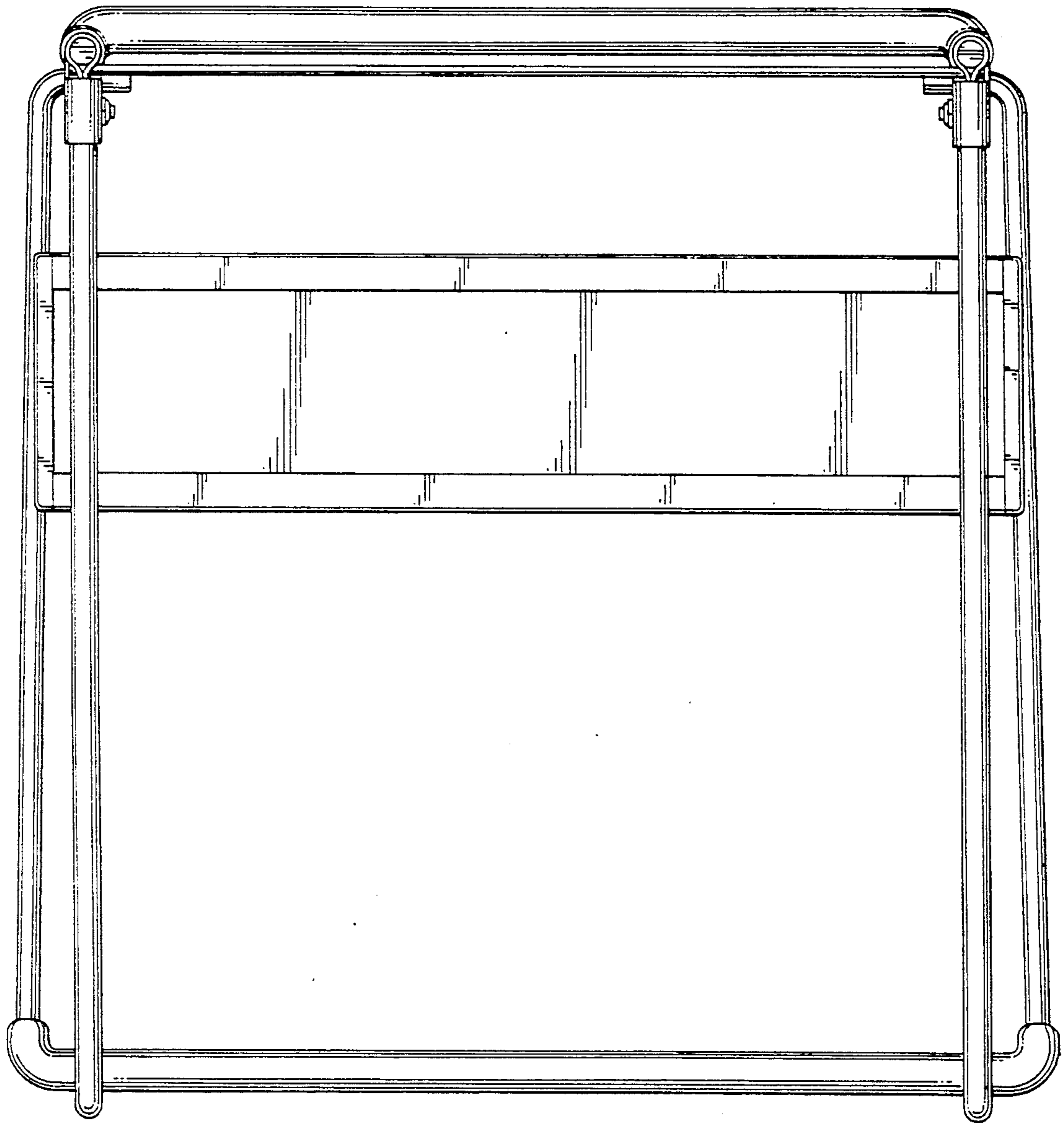


FIG. 4

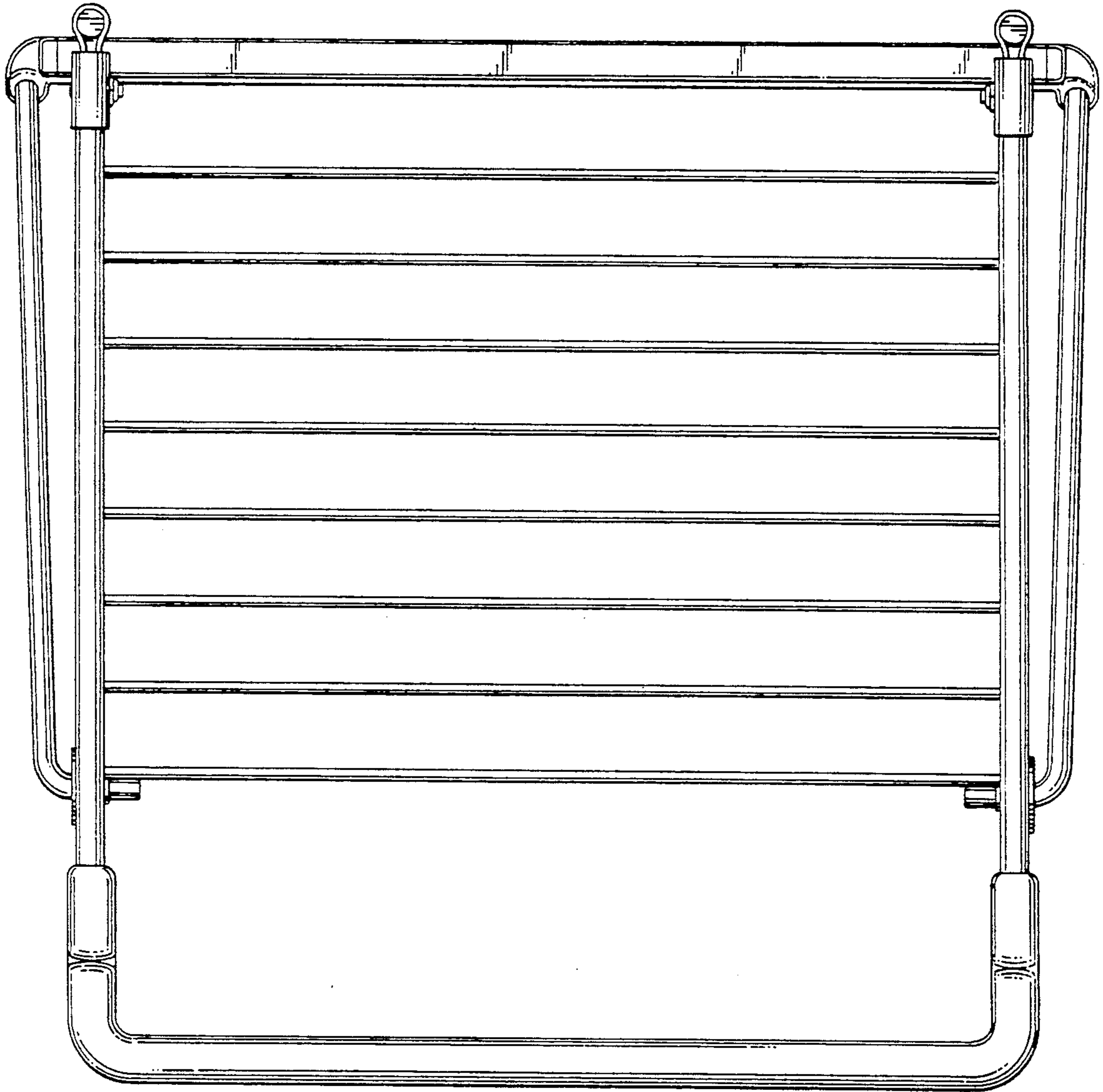


FIG. 5

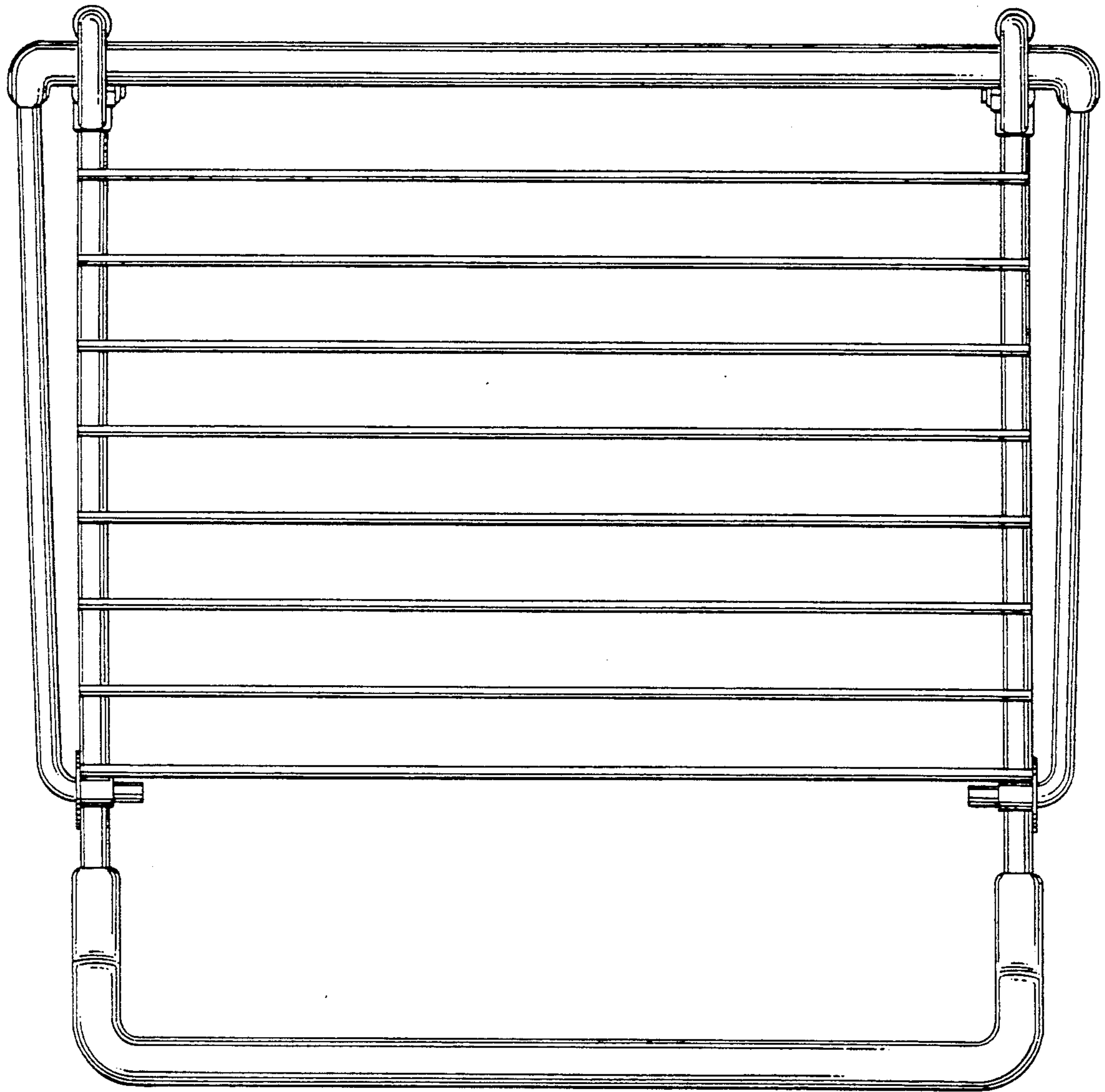


FIG. 6