



US00D327457S

United States Patent [19]

[11] Patent Number: **Des. 327,457**

Saito

[45] Date of Patent: **** Jun. 30, 1992**

[54] **FOUR WHEELED CYCLE**

[75] Inventor: **Kazuhiko Saito, Rancho Palos Verdes, Calif.**

[73] Assignee: **Honda R&D North America, Inc., Torrance, Calif.**

[**] Term: **14 Years**

[21] Appl. No.: **588,316**

[22] Filed: **Sep. 25, 1990**

[52] U.S. Cl. **D12/107**

[58] Field of Search **D12/107; 180/233, 215, 180/311, 312**

D. 298.744	11/1988	Suito et al.	D12/107
D. 299.707	2/1989	Makita et al.	D12/107
D. 305.999	2/1990	Ueda et al.	D12/107
4,770,262	9/1988	Yasunaga et al.	180/311

Primary Examiner—James M. Gandy
Assistant Examiner—Melody Brown

[57] **CLAIM**

The ornamental design for a four wheeled cycle, as shown.

DESCRIPTION

FIG. 1 is a perspective view of a four wheeled cycle showing my new design;
FIG. 2 is a top plan view thereof;
FIG. 3 is a front elevational view thereof;
FIG. 4 is a rear elevational view thereof;
FIG. 5 is a right side elevational view thereof; and,
FIG. 6 is a left side elevational view thereof.

[56] **References Cited**

U.S. PATENT DOCUMENTS

D. 298.113 10/1988 Famura et al. D12/107

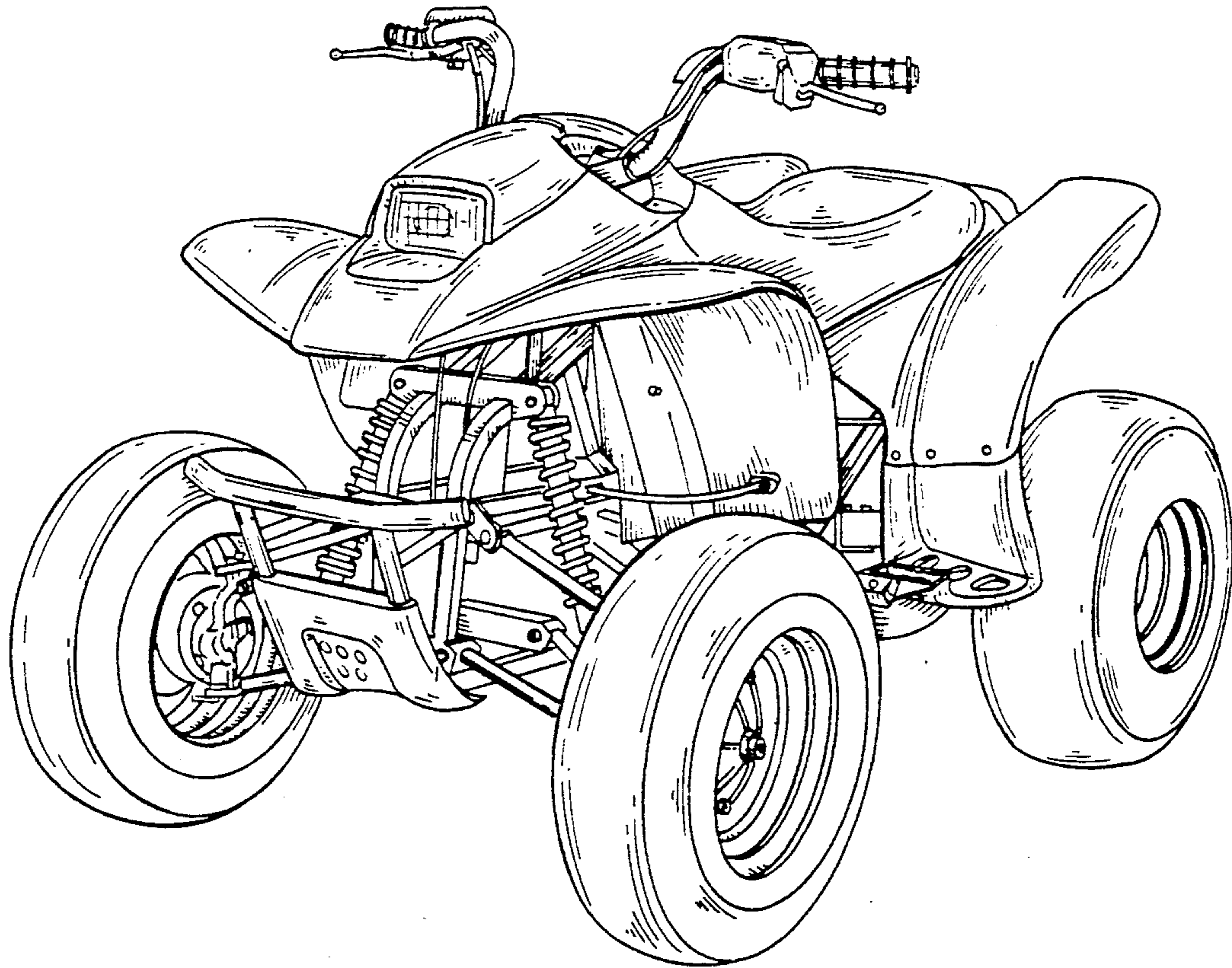
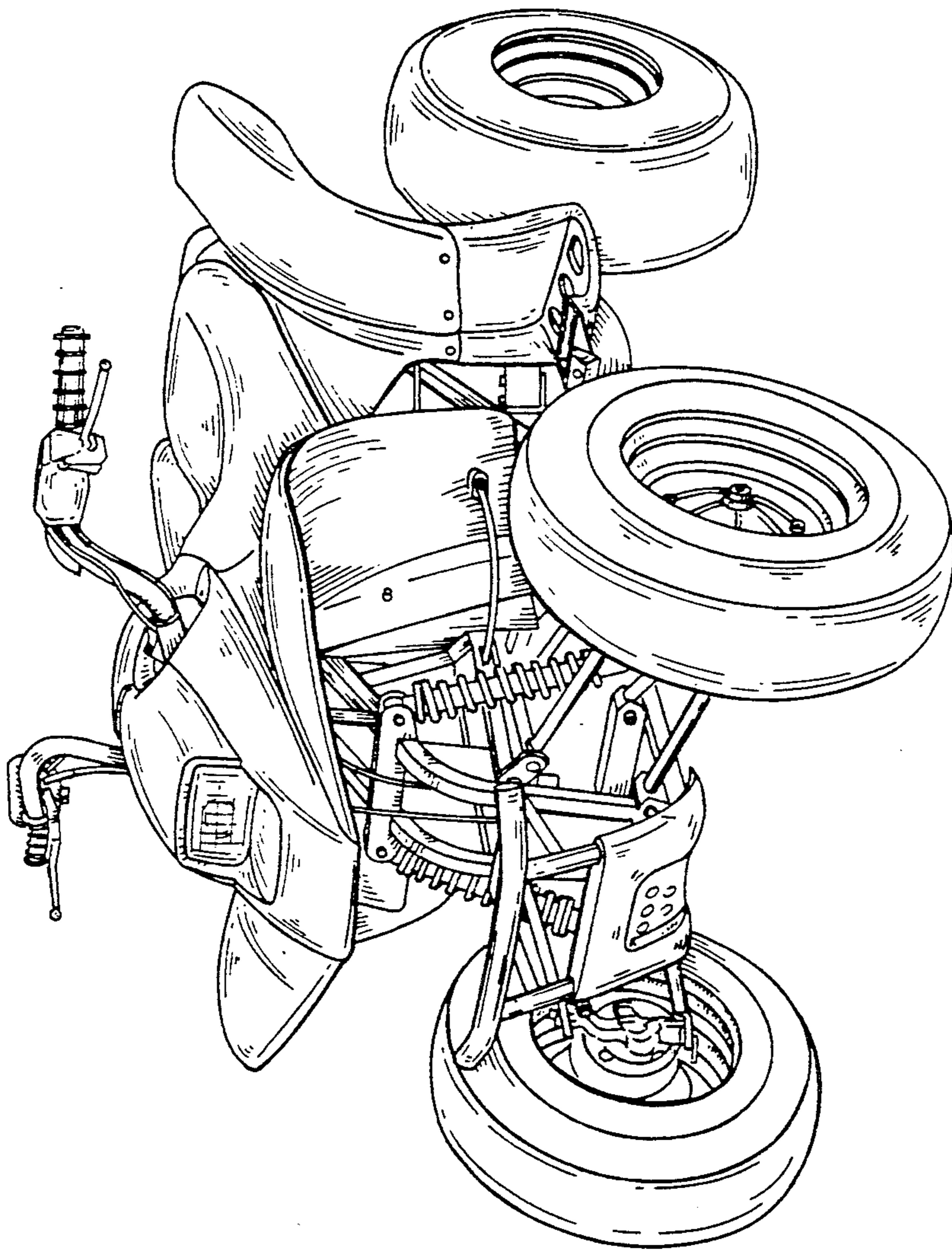


FIG. 1



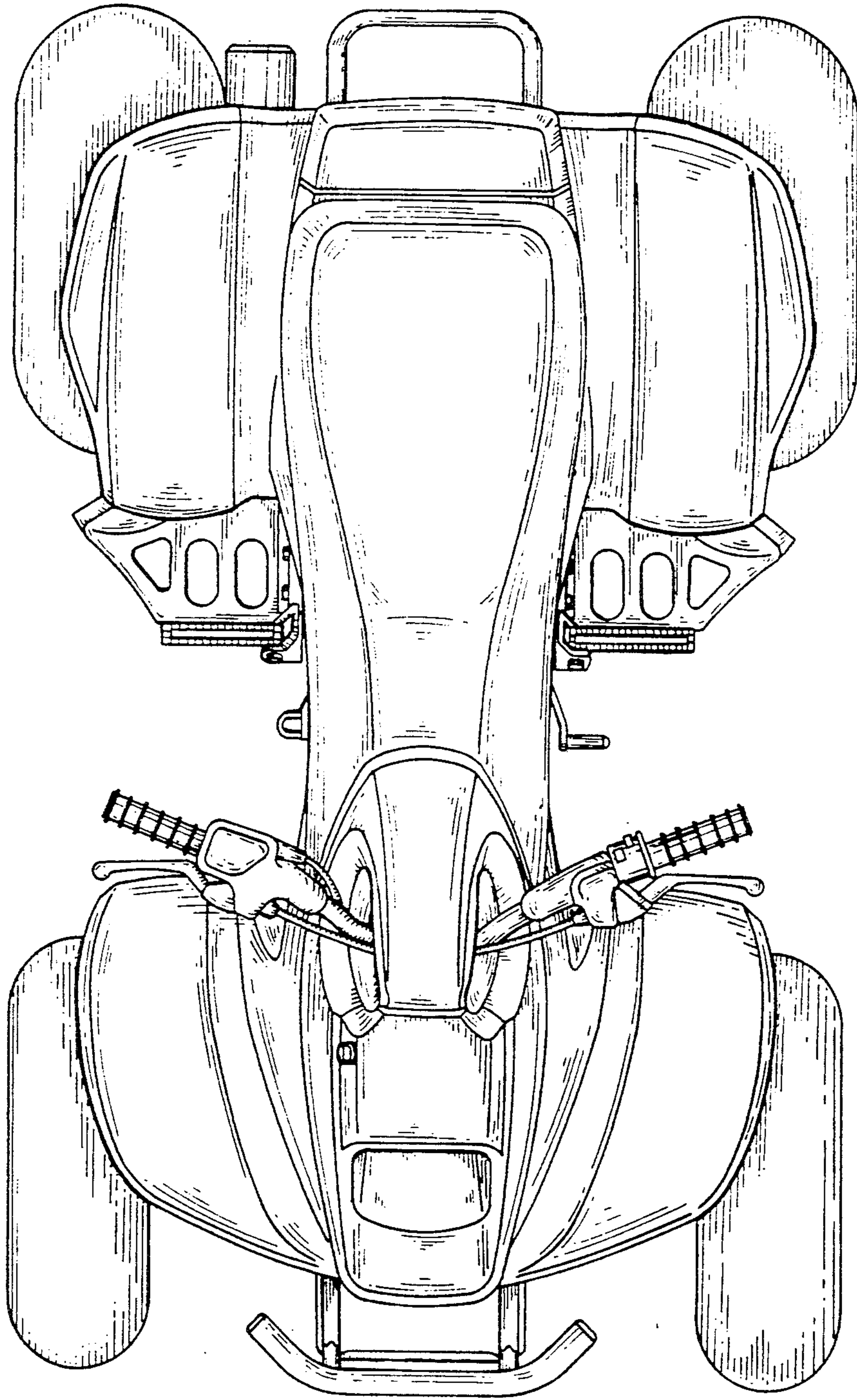


FIG. 2

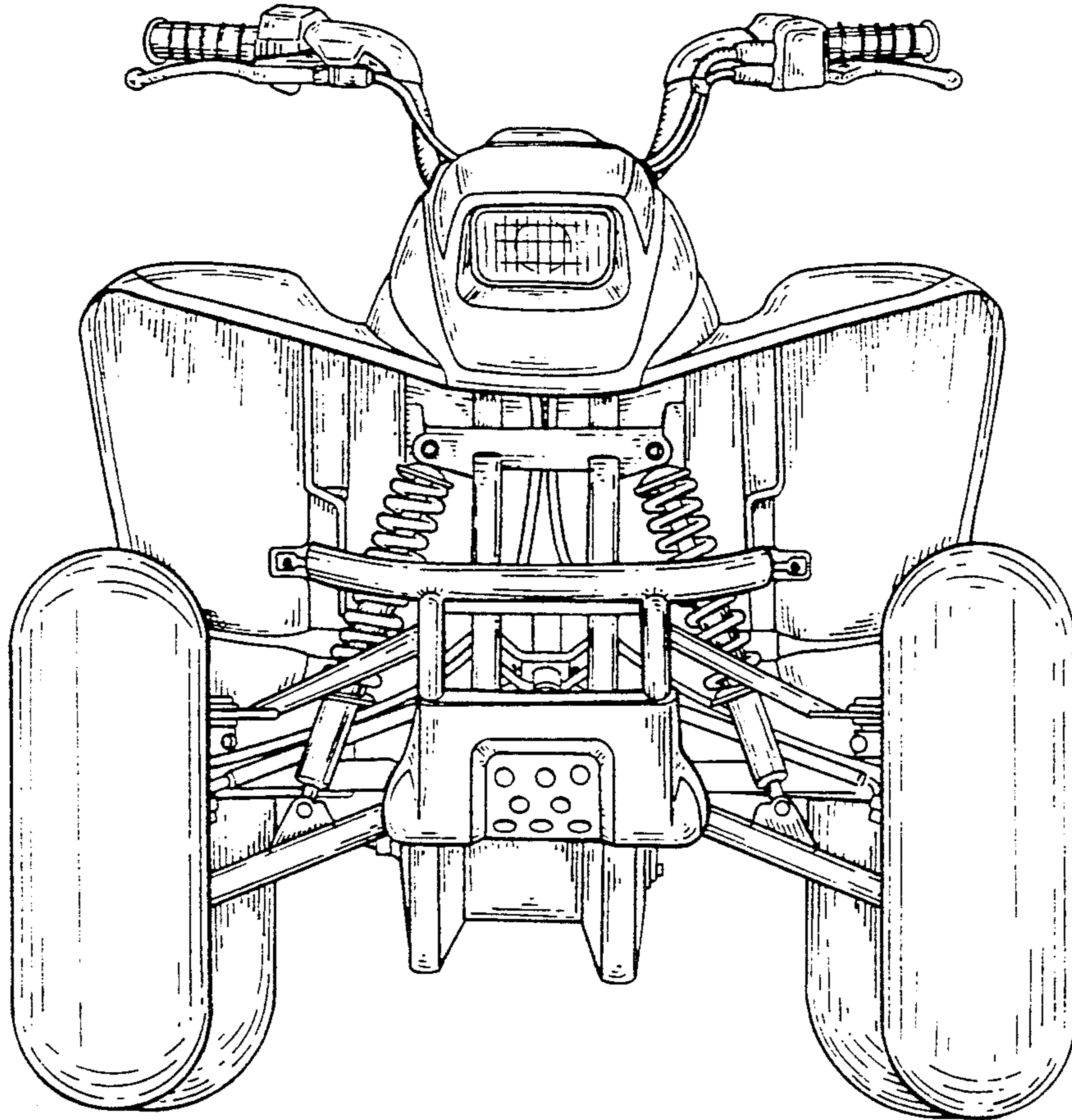


FIG. 3

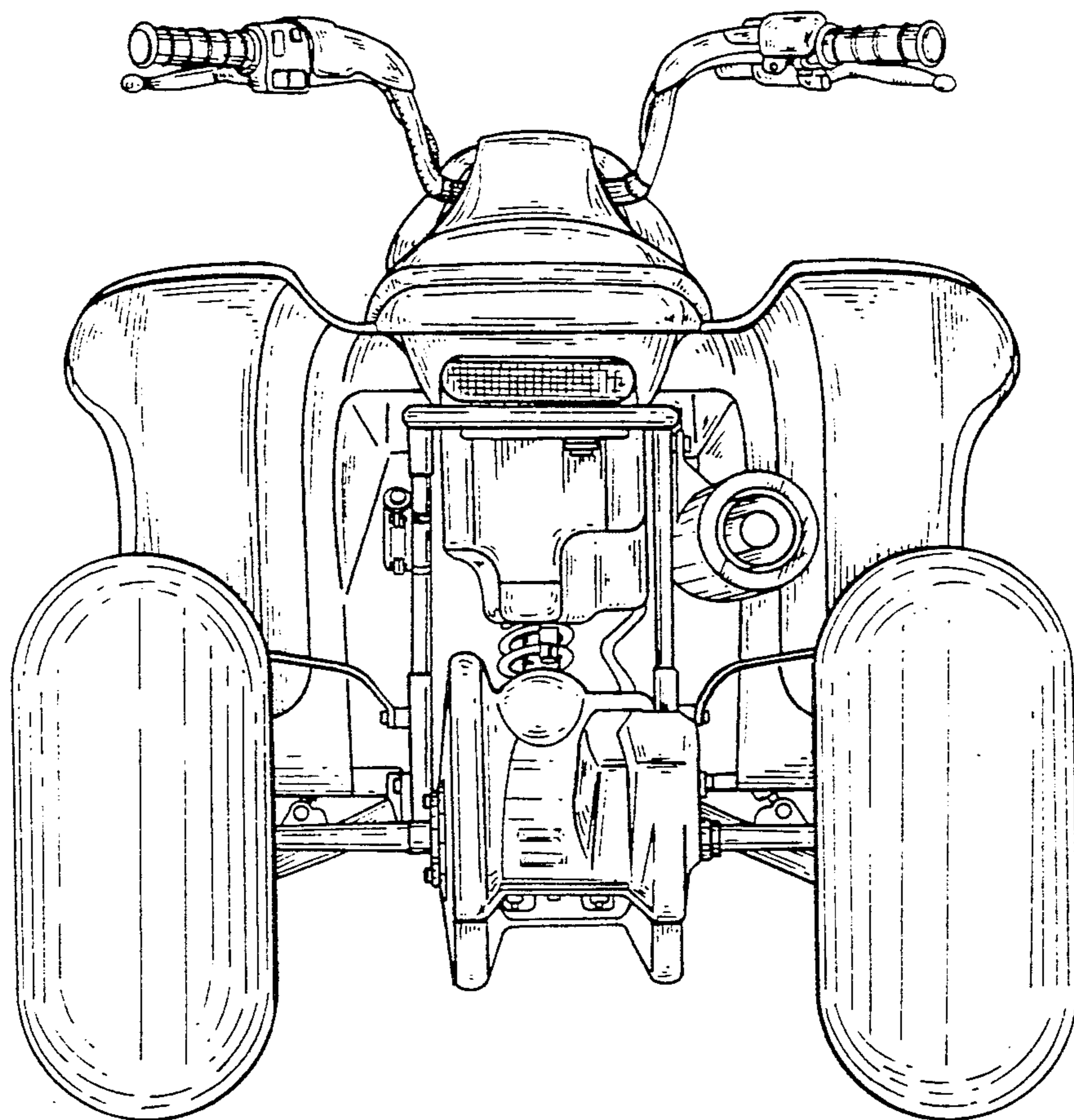


FIG. 4

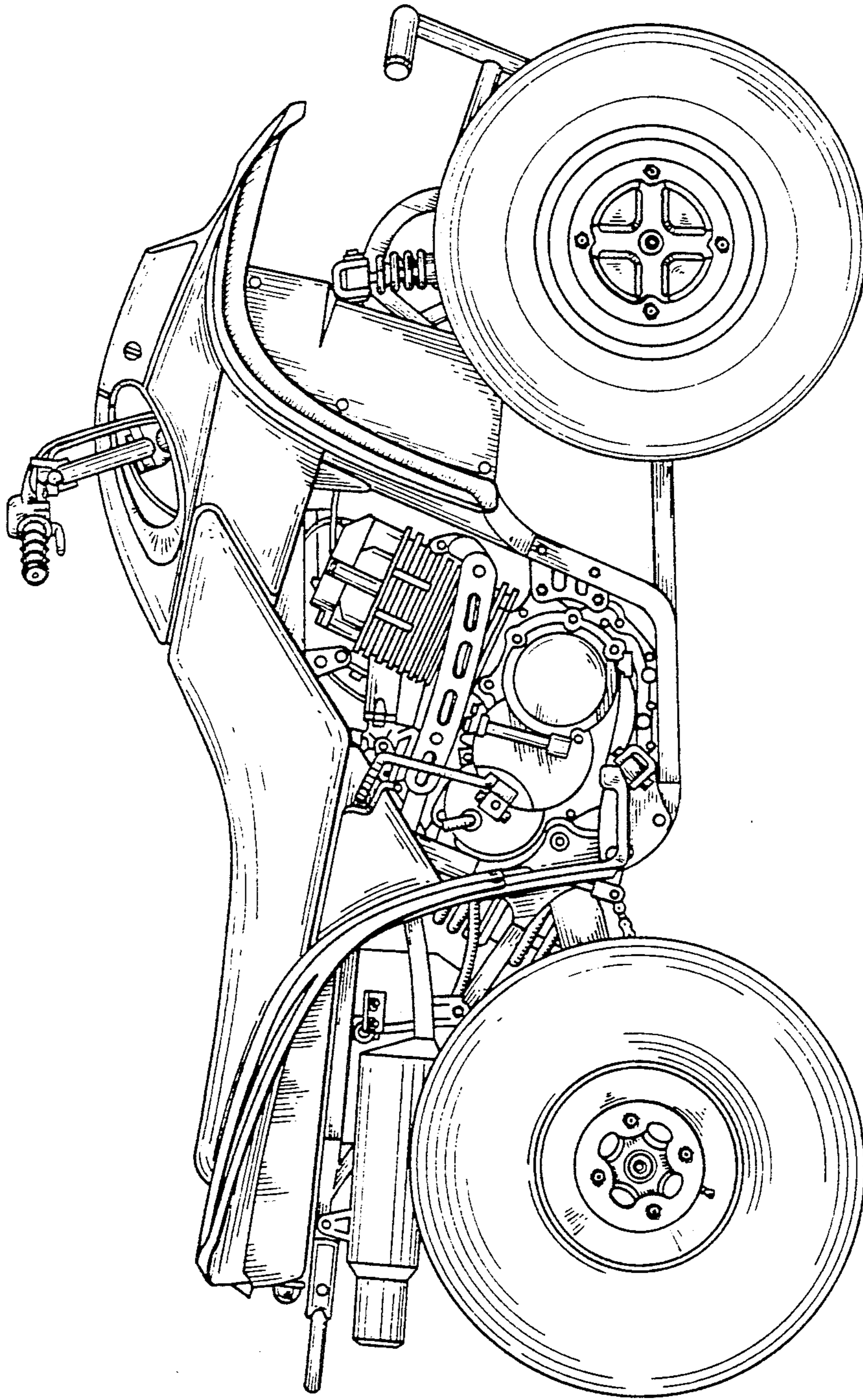


FIG. 5

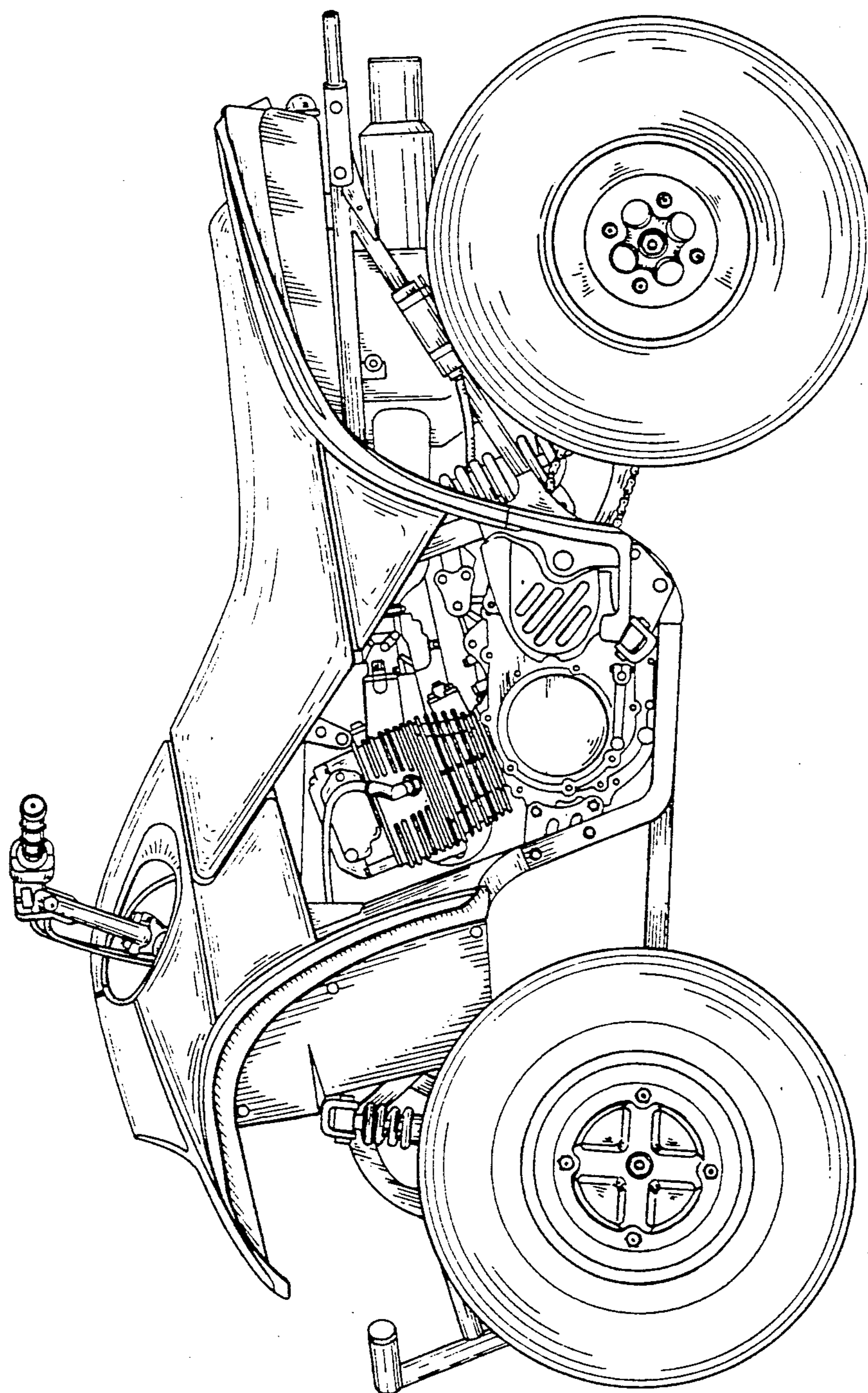


FIG. 6