



US00D327455S

# United States Patent [19]

[11] Patent Number: Des. 327,455

Blair

[45] Date of Patent: \*\* Jun. 30, 1992

- [54] BUCKLE
- [75] Inventor: Terry J. Blair, Silverado, Calif.
- [73] Assignee: Pacific Scientific Company, Newport Beach, Calif.
- [\*\*] Term: 14 Years
- [21] Appl. No.: 594,999
- [22] Filed: Oct. 9, 1990
- [52] U.S. Cl. .... D11/216; D11/218; 24/170; 24/191
- [58] Field of Search ..... D11/200, 201, 208, 216, D11/220, 236, 237, 218, 210, 231, 217, 219, 232; 63/2; 24/191-193, 176, 200, 307-314, 323, 615, 644, 633, 646, 650, 170, 68 R, 68 SK, 68 CD, 198, 196, 606, 163 R, 163 K; D2/624-640

[56] References Cited

U.S. PATENT DOCUMENTS

D. 171.045	12/1953	Noe	.....	D11/216
D. 199.674	12/1964	Carlson	.....	D11/216
D. 200.772	4/1965	Dahms	.....	D11/216
D. 202.186	9/1965	Holmberg	.....	D11/216
D. 274.861	7/1984	Lindblad	.....	D11/216
D. 302.140	7/1989	Johnston	.....	D11/216
2,846,745	8/1958	Lathrop	.....	D11/216
3,145,442	8/1964	Brown	.....	24/196
3,147,530	9/1964	Goldman	.....	D11/216
3,165,805	1/1965	Lower	.....	D11/216
3,179,992	4/1965	Murphy, Sr.	.....	D11/216
3,246,377	4/1966	Brown	.....	24/646
3,393,433	7/1968	Barcus	.....	24/646
3,496,615	2/1970	Krengel	.....	24/323
4,881,303	11/1989	Martini	.....	24/170

Primary Examiner—A. Hugo Word

Assistant Examiner—R. Seifert  
Attorney, Agent, or Firm—Knobbe, Martens, Olson & Bear

[57] CLAIM

The ornamental design for a buckle, as shown and described.

DESCRIPTION

FIG. 1 is a perspective view of a buckle showing my new design, the broken line showing of an attached partial belt and latch plate is for illustrative purposes only and forms no part of the claimed design;

FIG. 2 is a front elevational view thereof;

FIG. 3 is a bottom plan view thereof;

FIG. 4 is a left side elevational view thereof;

FIG. 5 is a top plan view thereof;

FIG. 6 is a right side elevational view thereof;

FIG. 7 is a rear elevational view thereof;

FIG. 8 is a perspective view of a buckle showing a second embodiment of my new design, the broken line showing of an attached partial belt and latch plate is for illustrative purposes only and forms no part of the claimed design;

FIG. 9 is a front elevational view of the second embodiment;

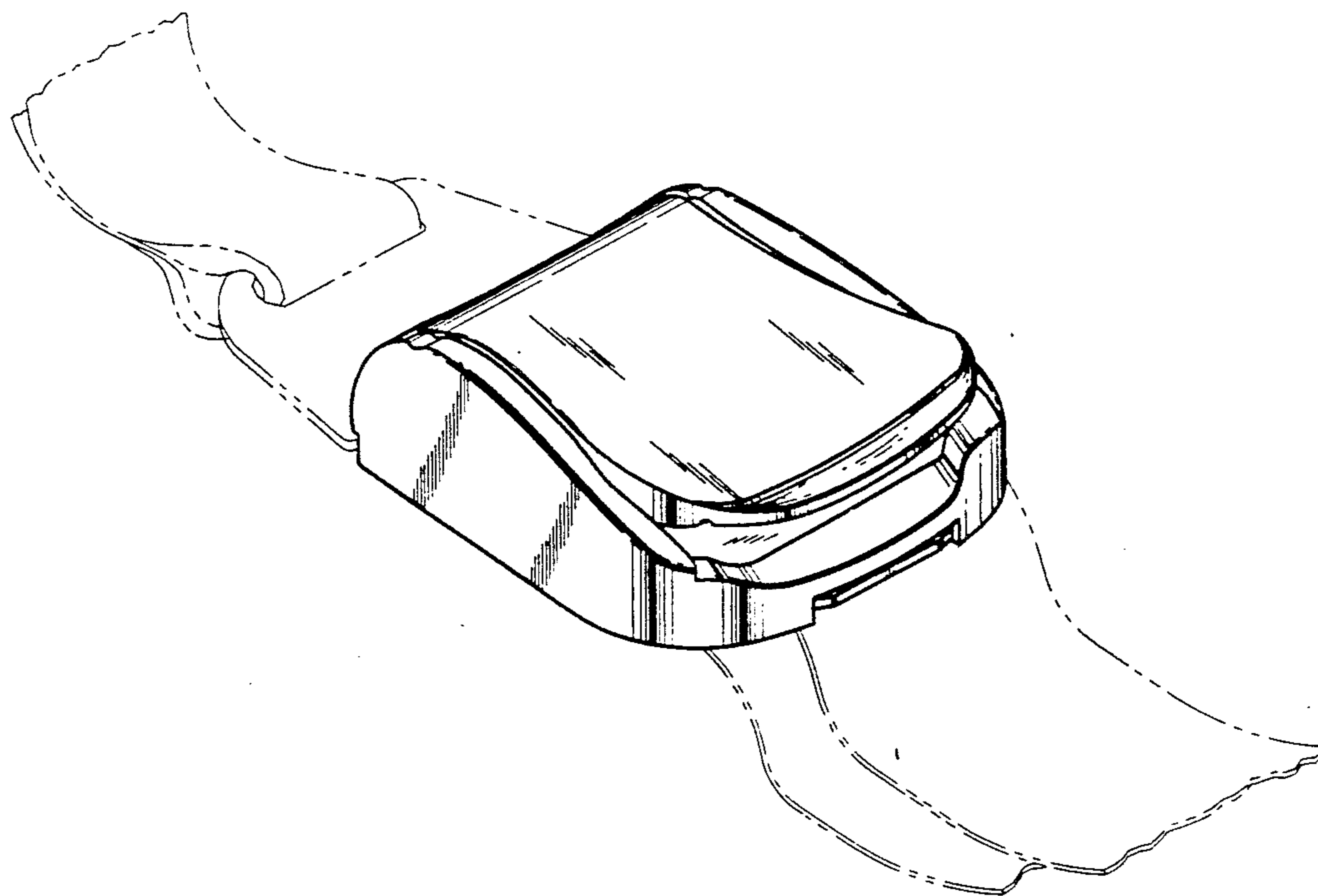
FIG. 10 is a bottom plan view of the second embodiment;

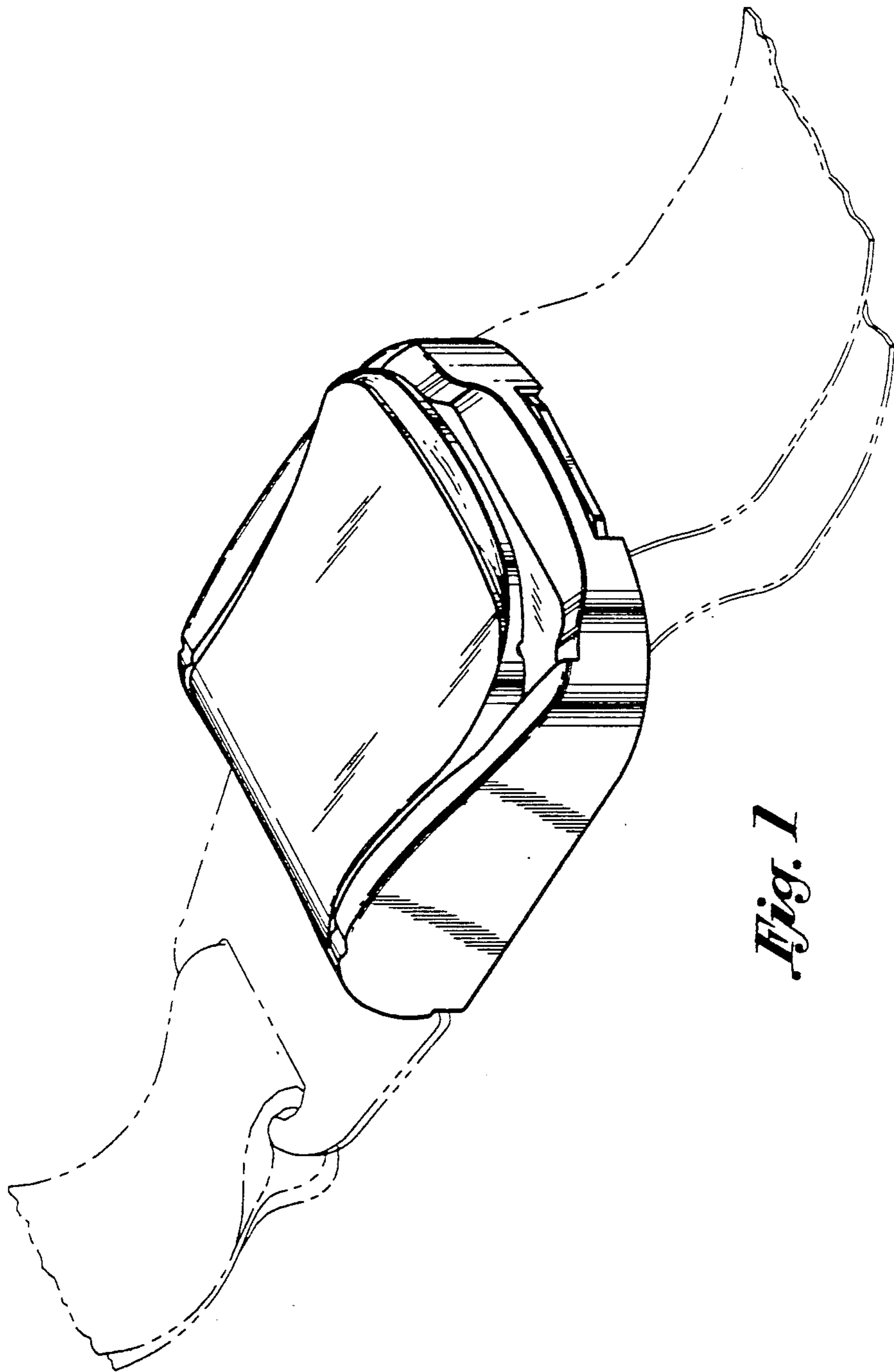
FIG. 11 is a left side elevational view of the second embodiment;

FIG. 12 is a top plan elevational view of the second embodiment;

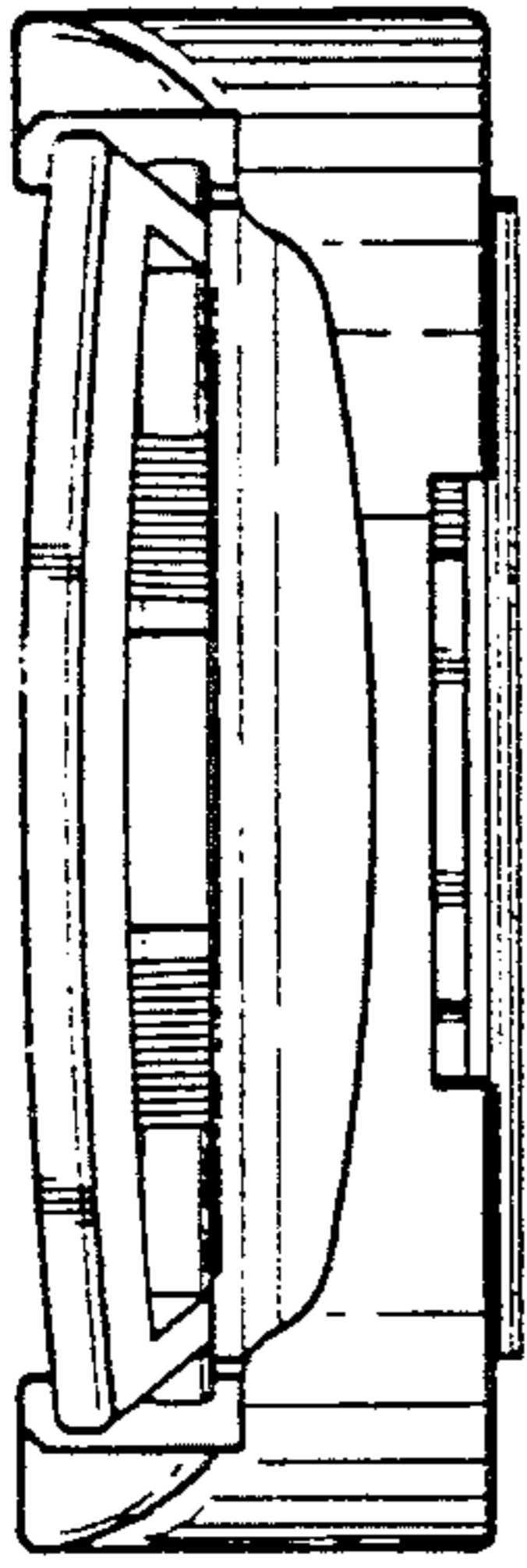
FIG. 13 is a right side elevational view of the second embodiment; and,

FIG. 14 is a rear elevational view of the second embodiment.

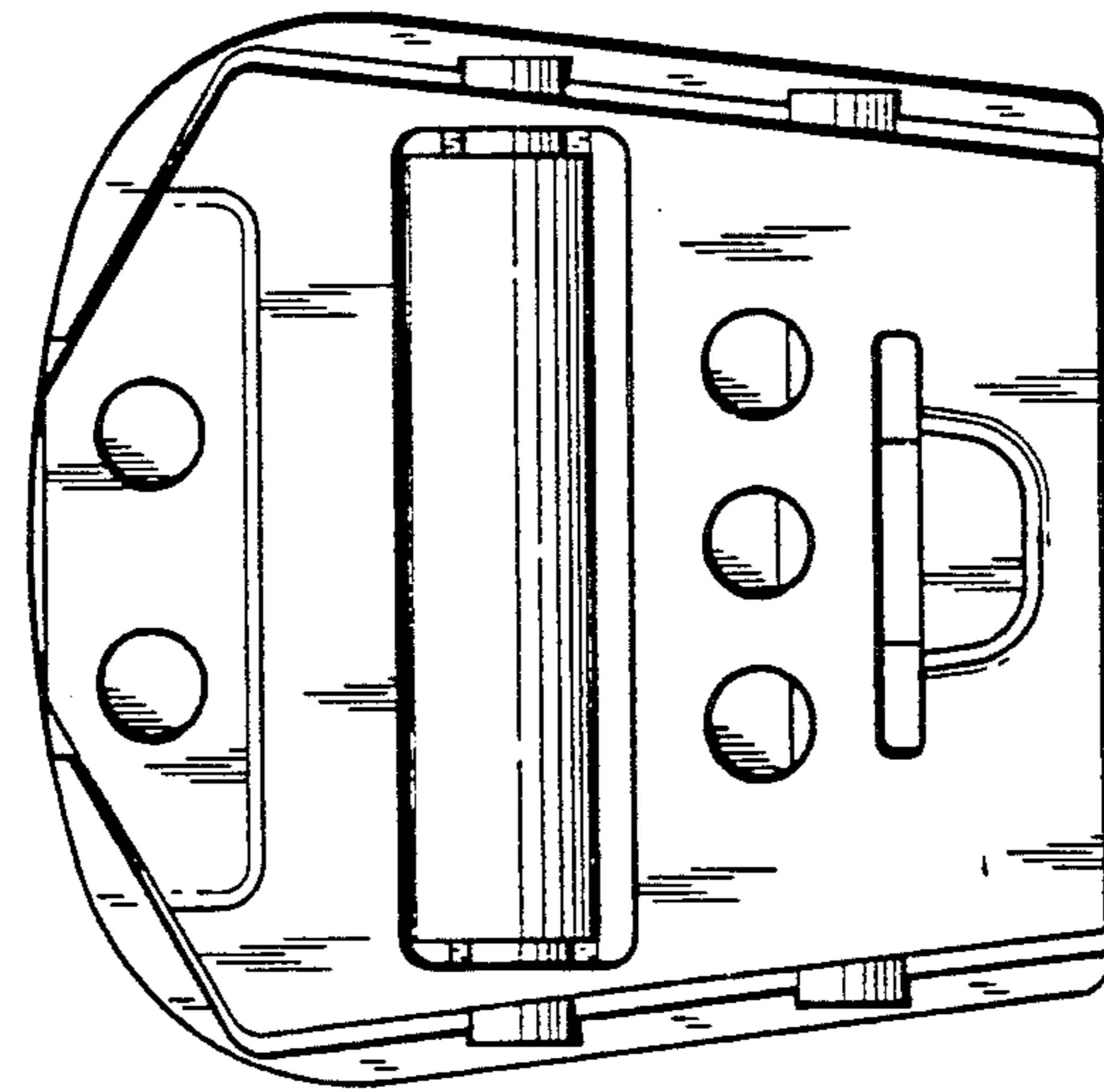




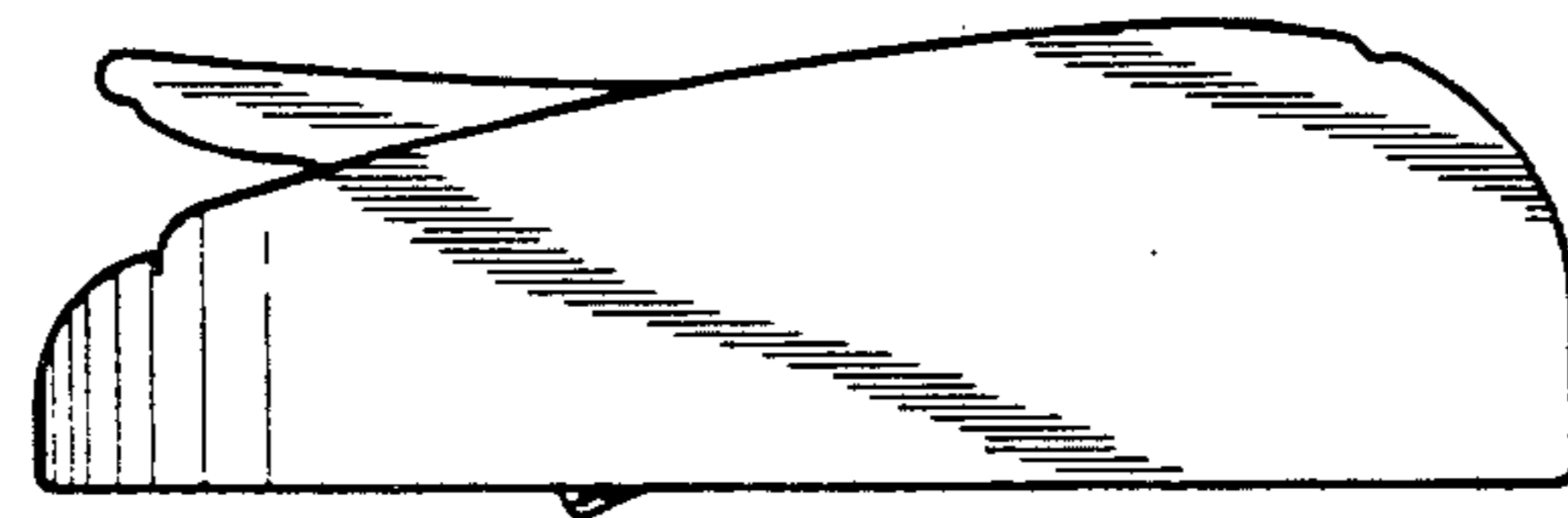
*Fig. 1*



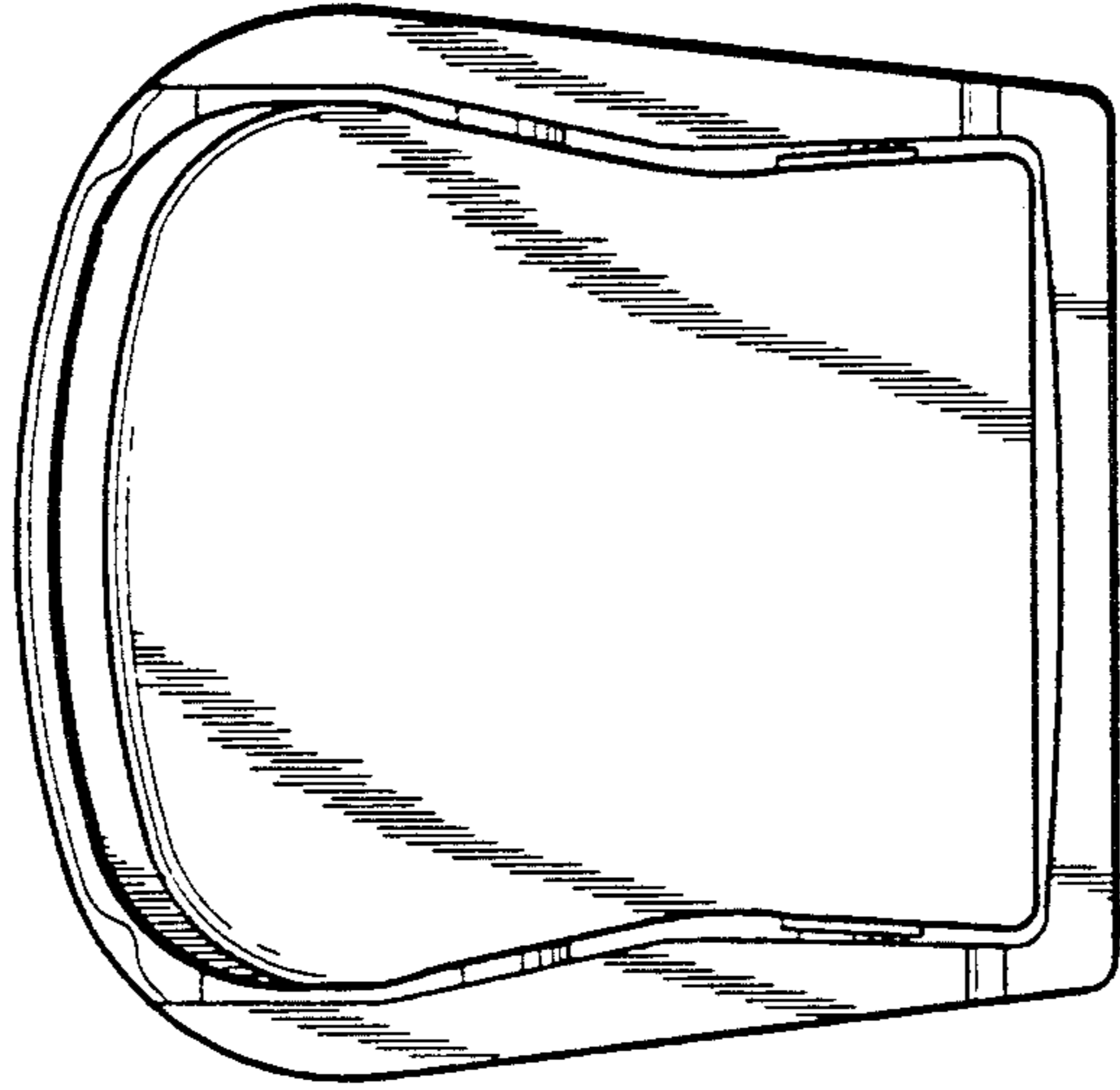
*Fig. 2*



*Fig. 3*



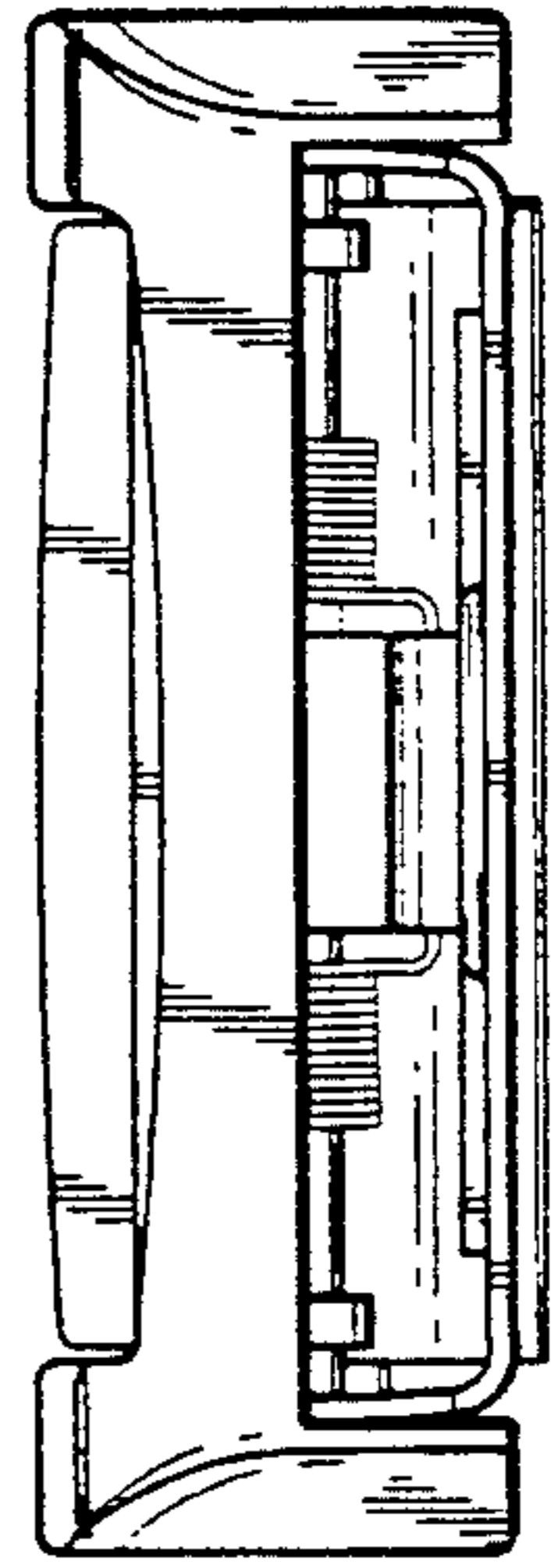
*Fig. 4*



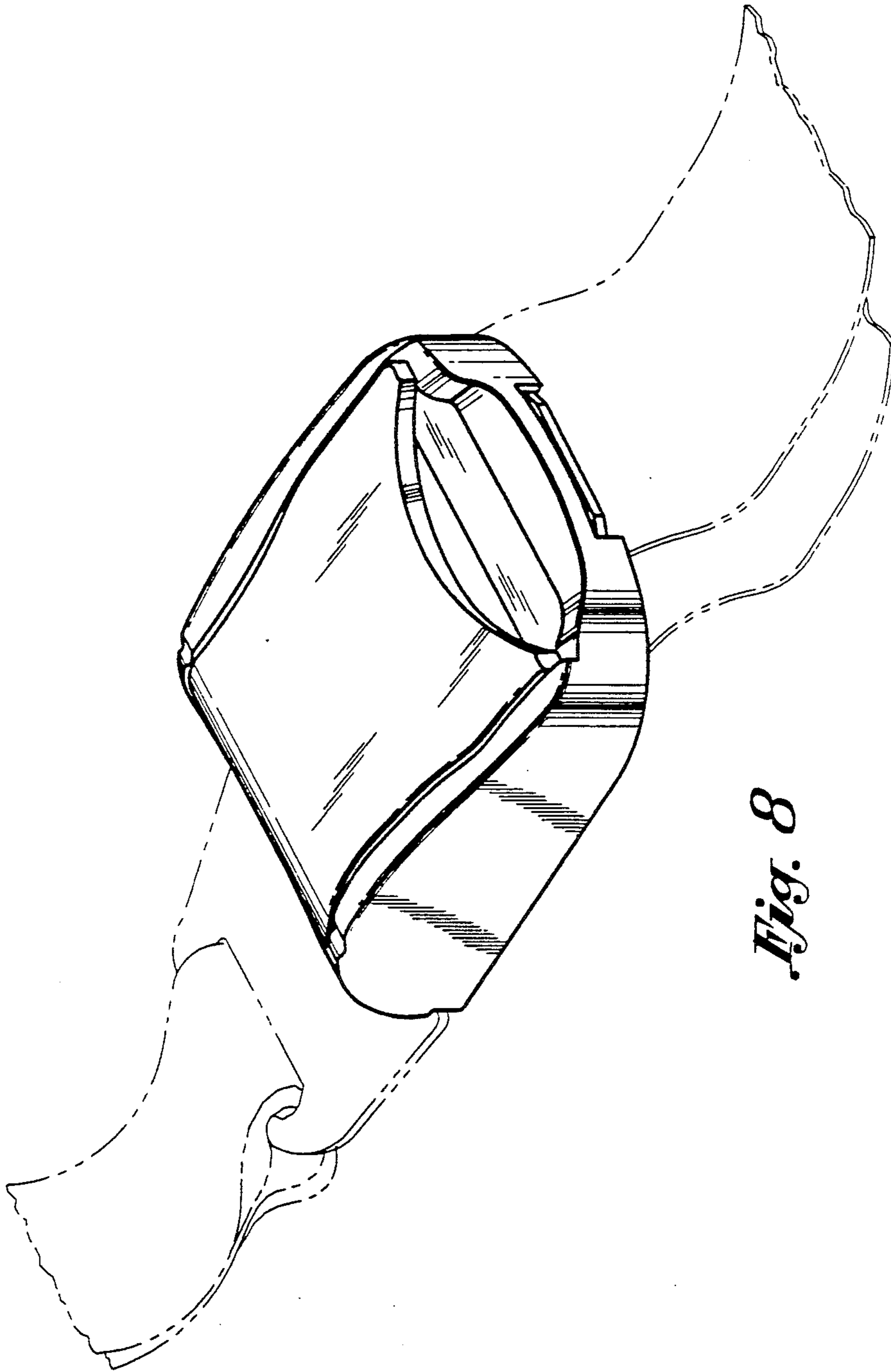
*Fig. 5*



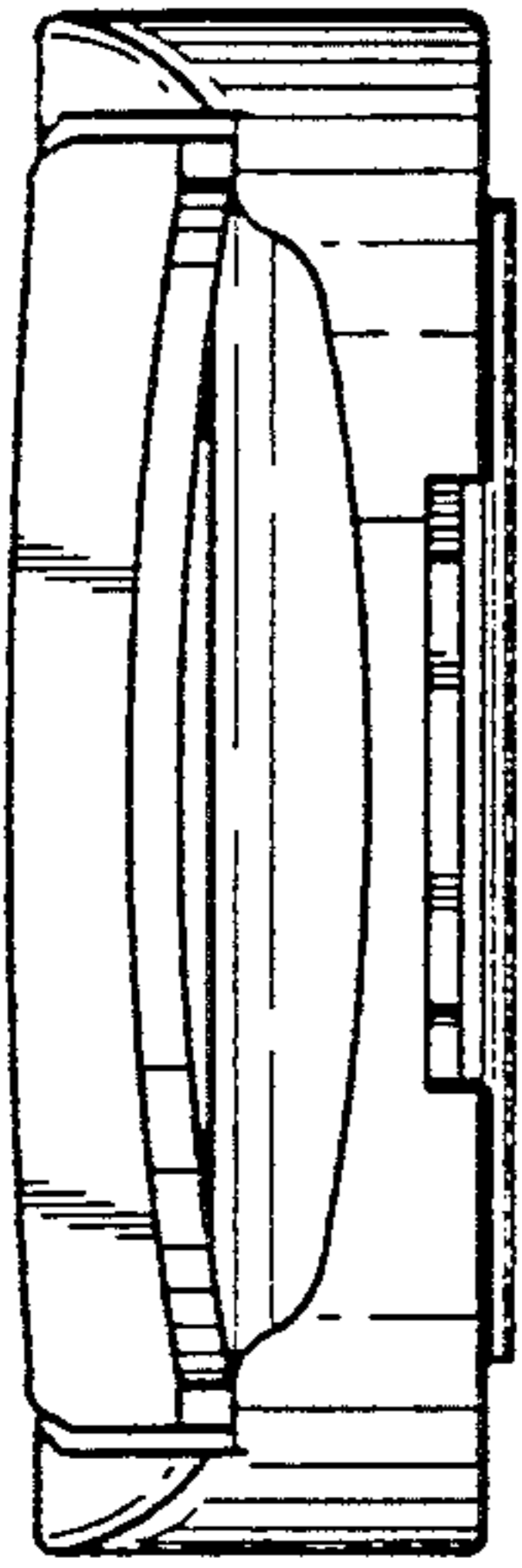
*Fig. 6*



*Fig. 7*



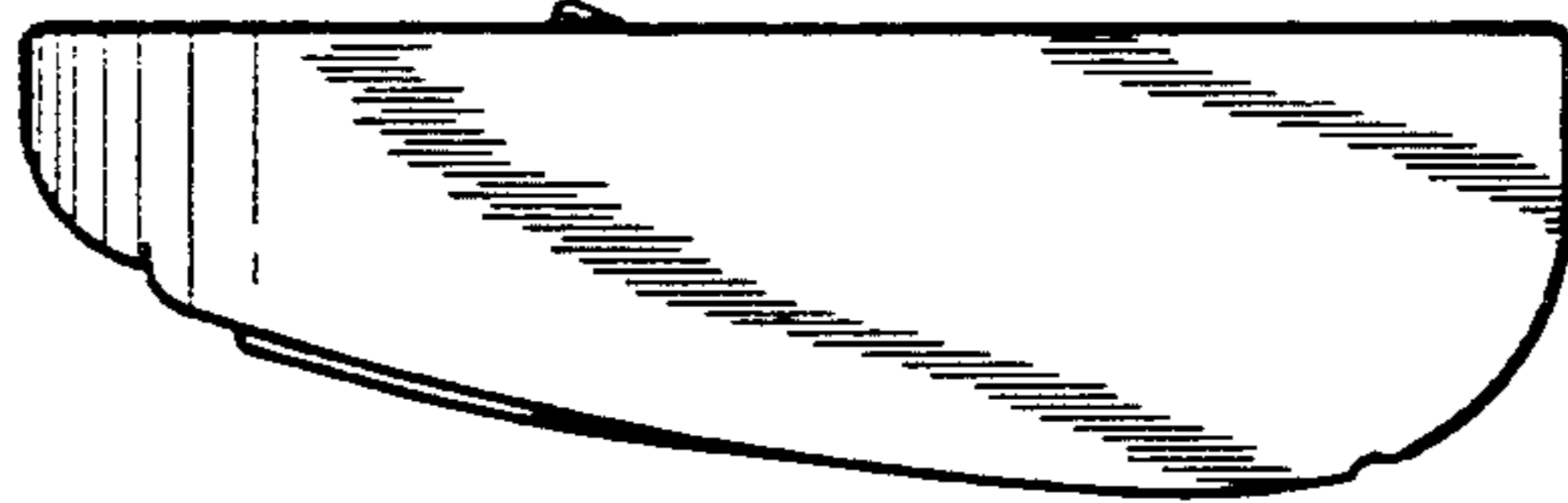
*Fig. 8*



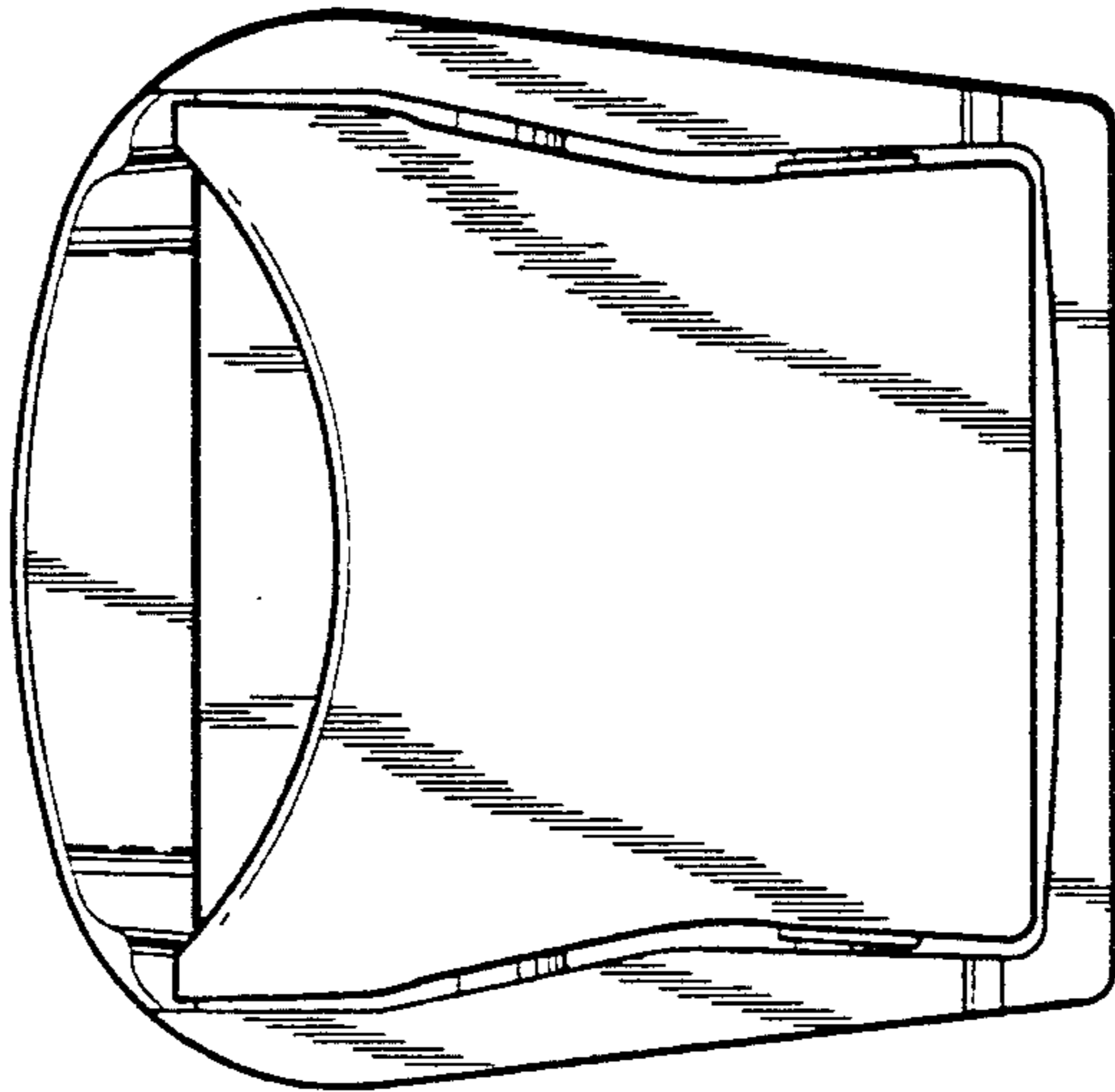
*Fig. 9*



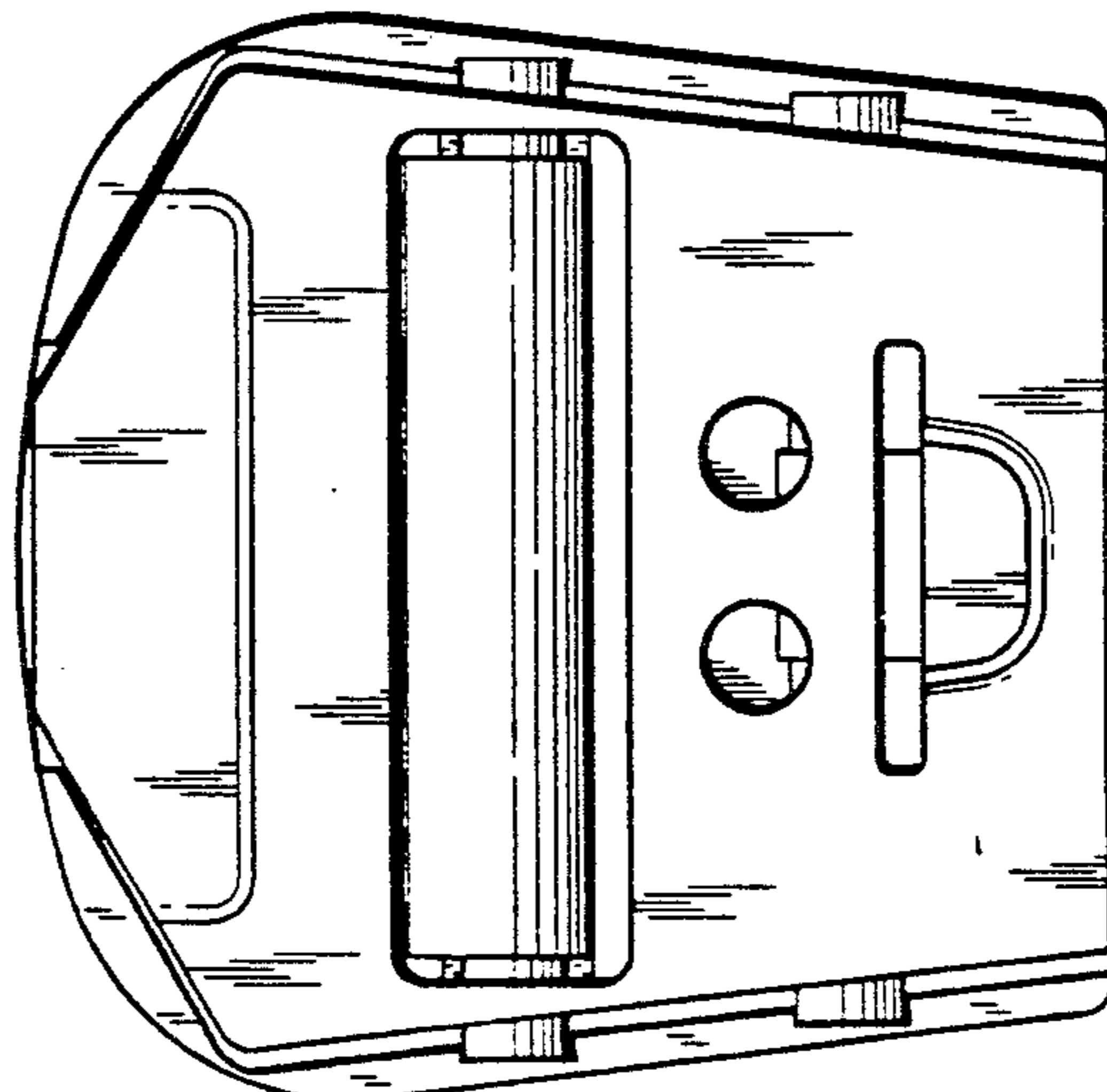
*Fig. 11*



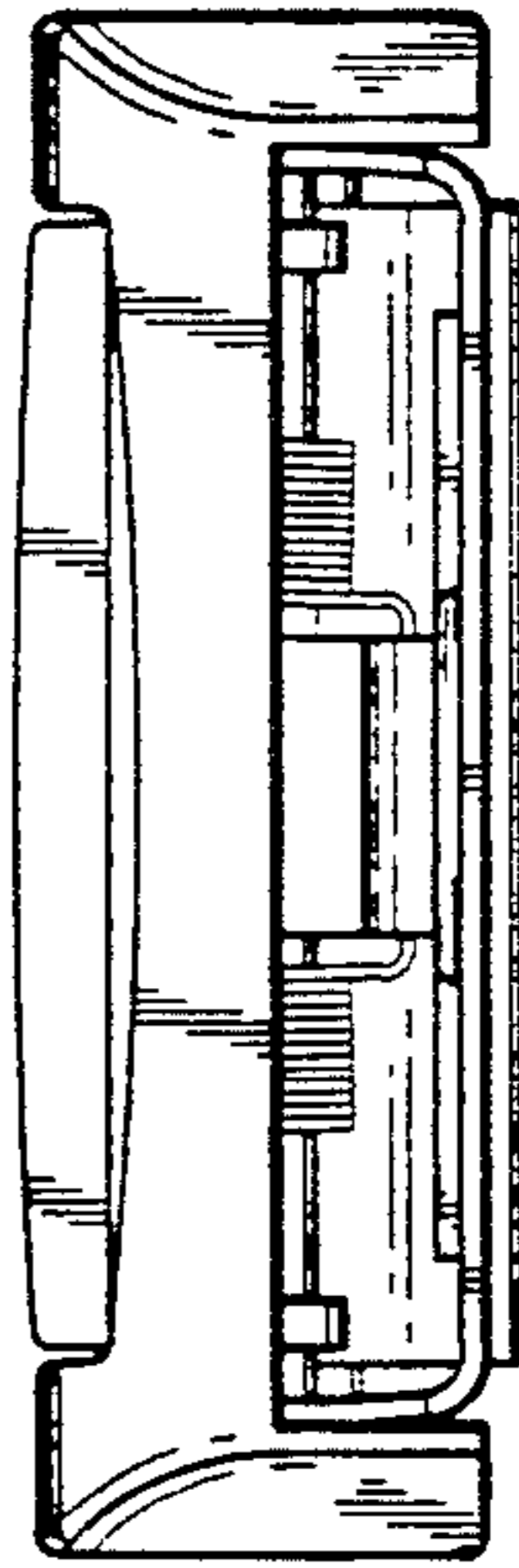
*Fig. 13*



*Fig. 12*



*Fig. 10*



*Fig. 14*