



US00D327453S

**United States Patent** [19]  
**Prout**

[11] **Patent Number: Des. 327,453**  
[45] **Date of Patent: \*\* Jun. 30, 1992**

[54] **TOP SHELL FOR EXPANSION BRACELET LINK**

[75] **Inventor: Julia R. Prout, Coventry, R.I.**

[73] **Assignee: Textron Inc., Providence, R.I.**

[\*\*] **Term: 14 Years**

[21] **Appi. No.: 514,337**

[22] **Filed: Apr. 24, 1990**

[52] **U.S. Cl. .... D11/93; D11/4; D11/19**

[58] **Field of Search .... D11/1-13, D11/15-25, 93, 94; 59/80-88, 90; 63/1.1-6; 224/171, 175, 178; D10/30-32**

[56] **References Cited**

**U.S. PATENT DOCUMENTS**

D. 149,661 5/1948 Miller ..... D11/12  
D. 181,610 12/1957 Sand ..... D11/15  
D. 190,670 6/1961 Goodman ..... D11/93  
D. 228,012 7/1973 Fontaine ..... D11/93

*Primary Examiner—A. Hugo Word*

*Assistant Examiner—R. Seifert*

*Attorney, Agent, or Firm—Samuels, Gauthier & Stevens*

[57] **CLAIM**

The ornamental design for a top shell for expansion bracelet link, as shown and described.

**DESCRIPTION**

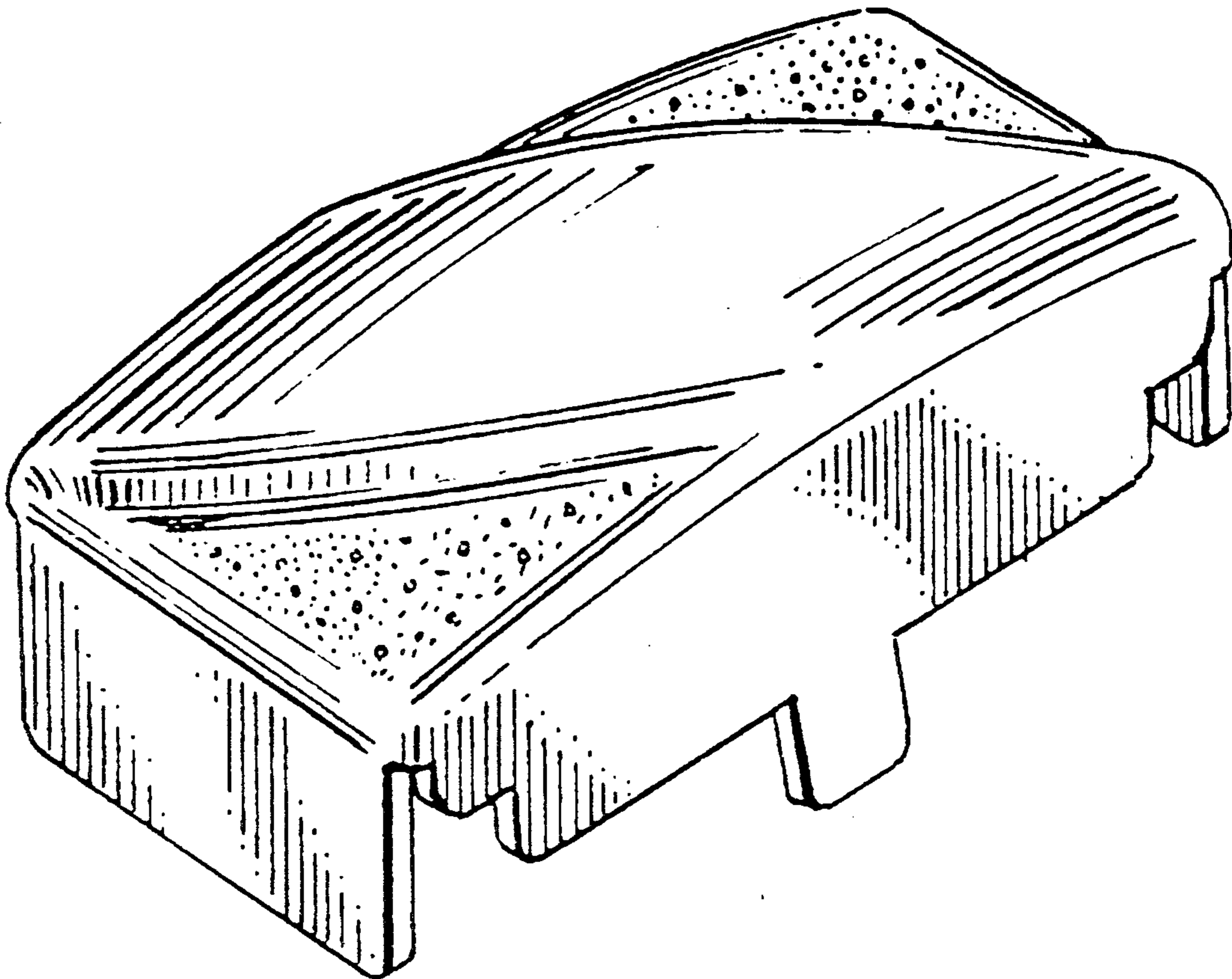
FIG. 1 is a perspective view of a top shell for expansion bracelet link showing my new design;

FIG. 2 is a top plan view thereof;

FIG. 3 is a side elevational view thereof;

FIG. 4 is an end elevational view thereof; and,

FIG. 5 is a bottom plan view thereof.



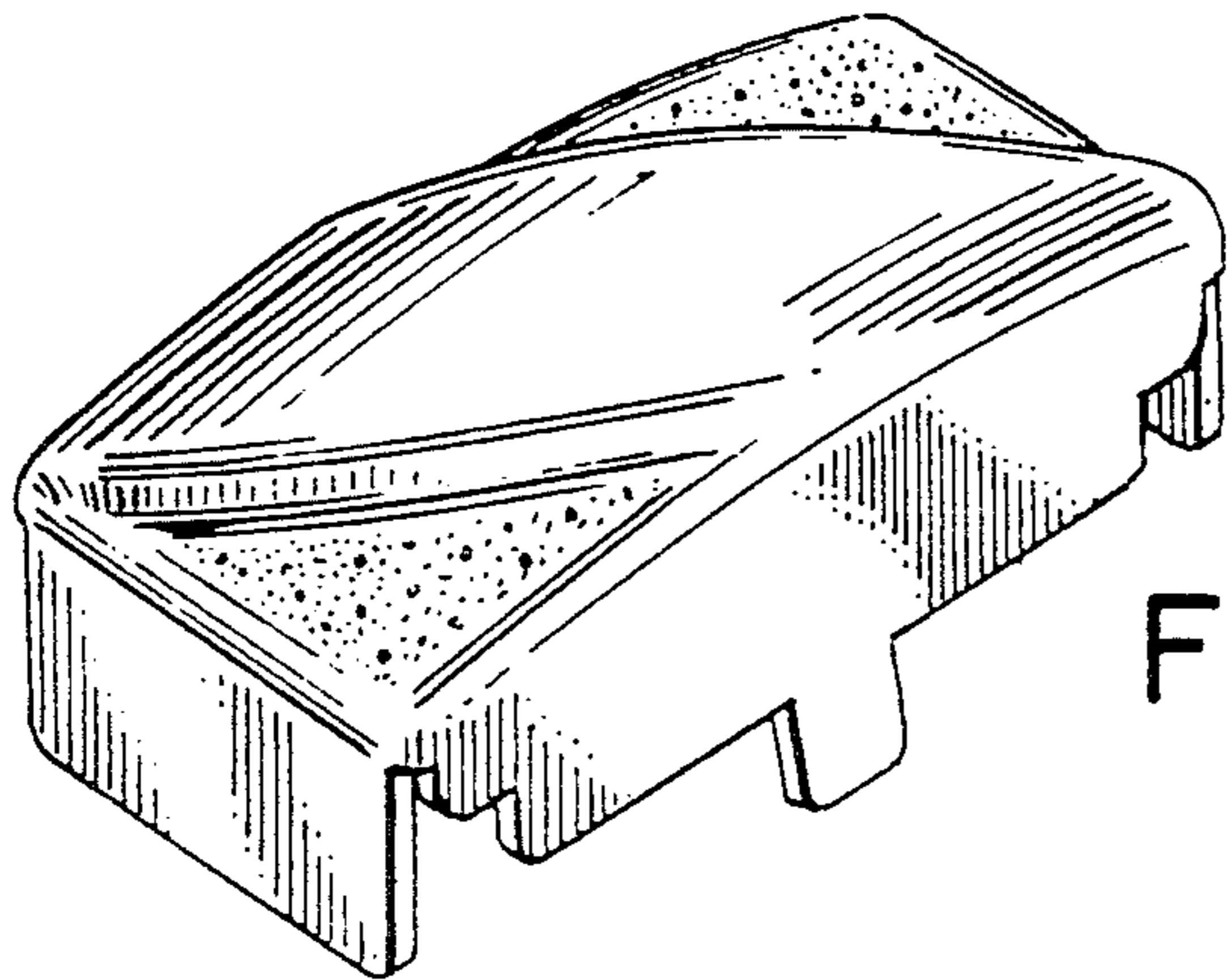


FIG. 1

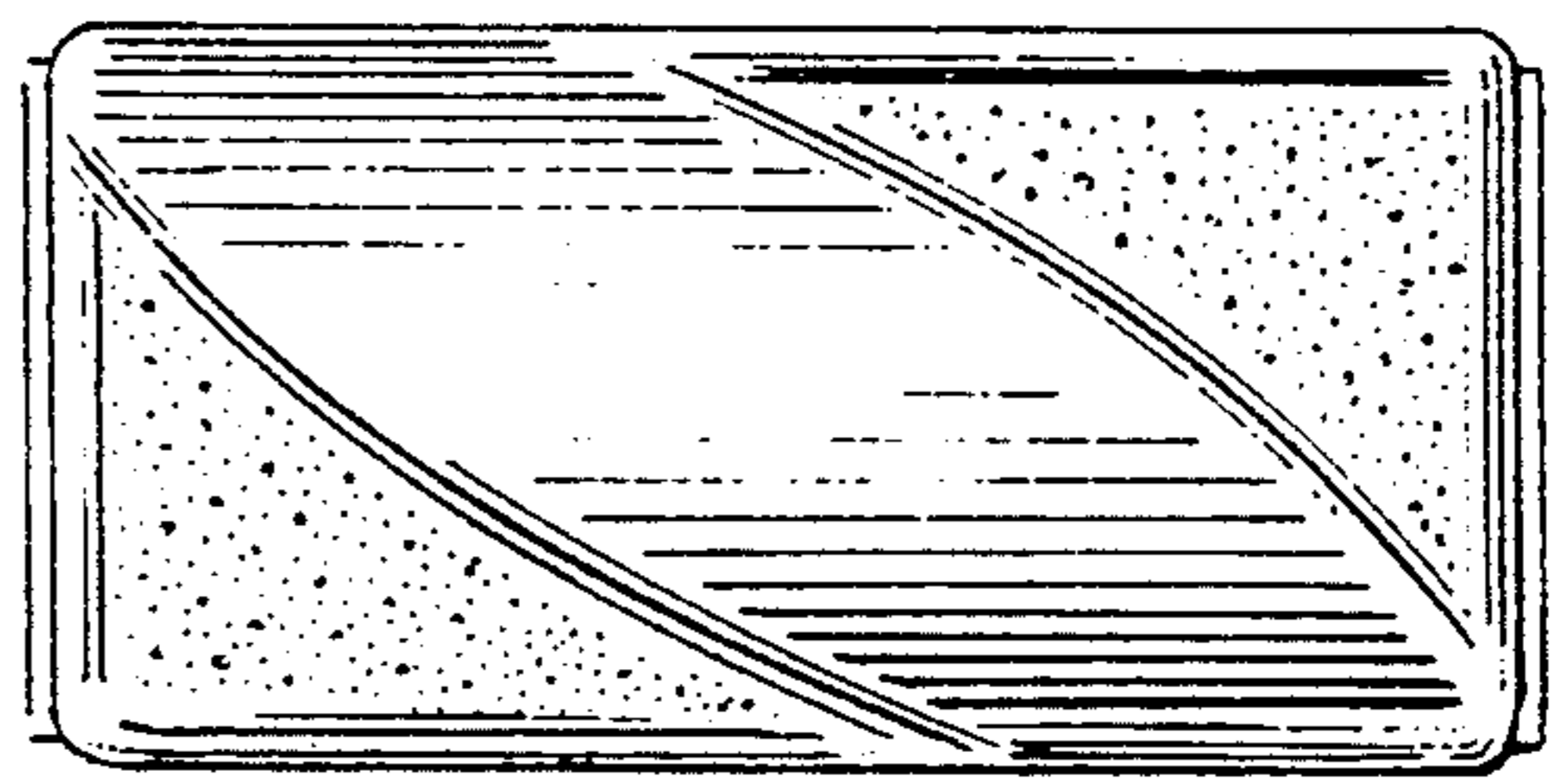


FIG. 2

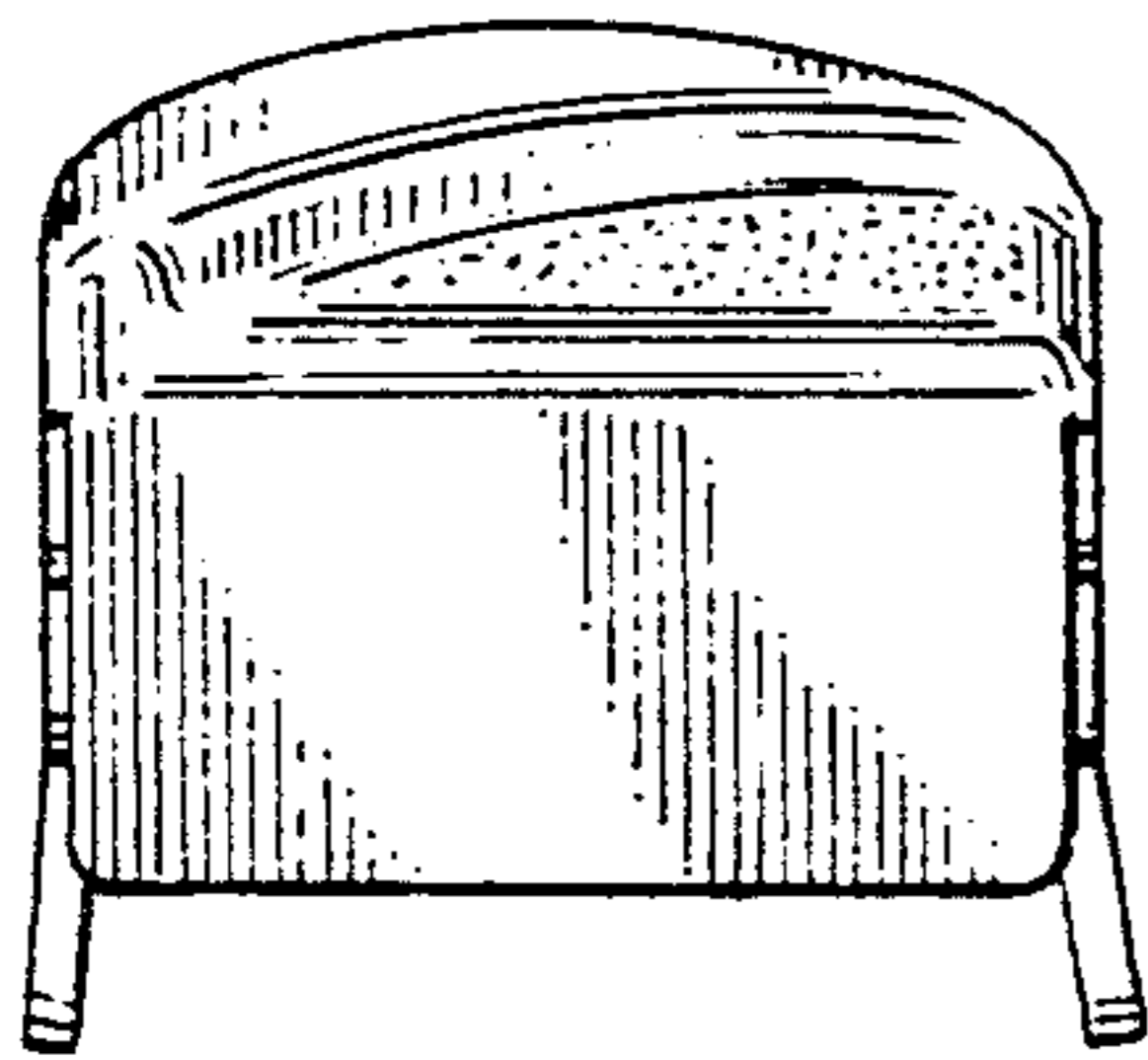


FIG. 4

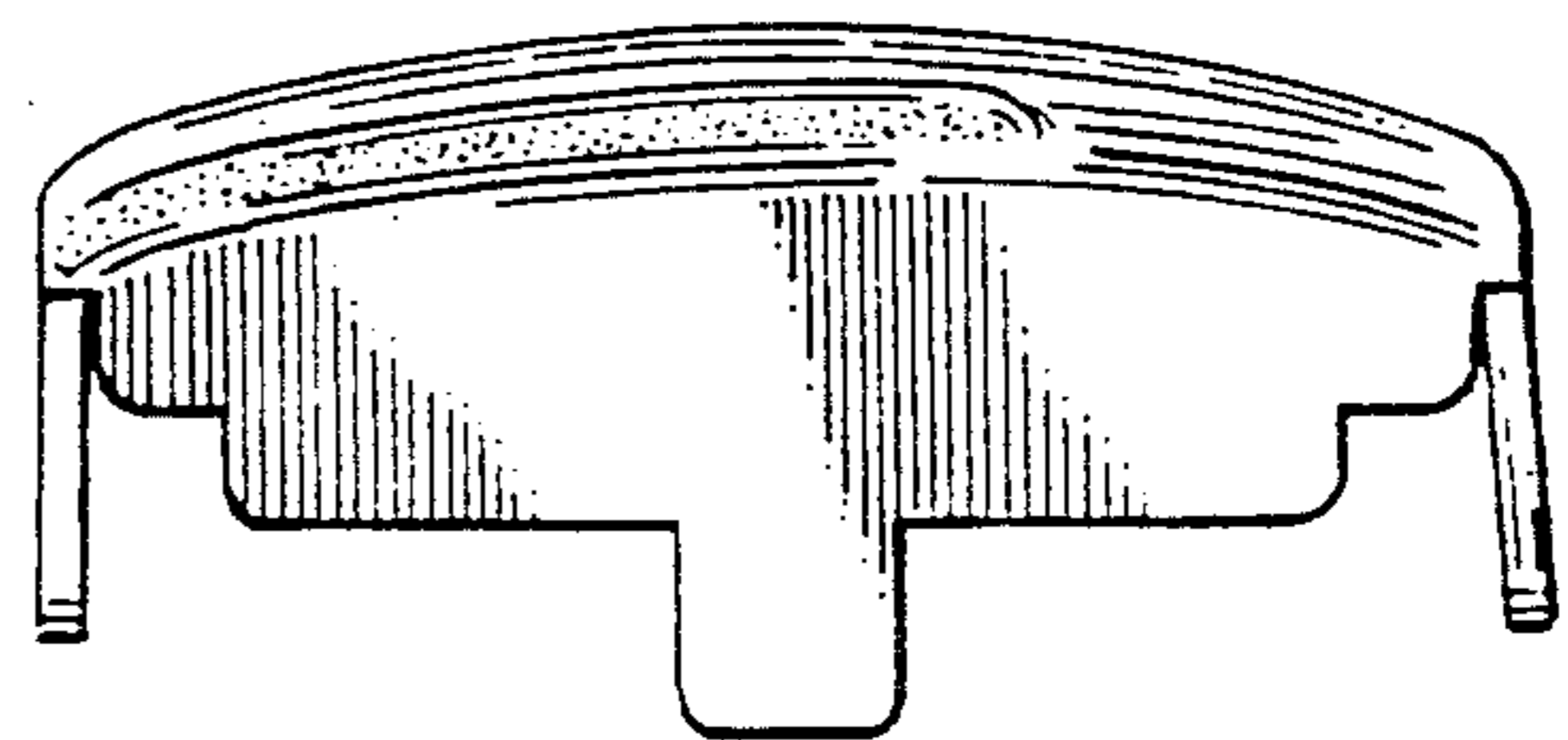


FIG. 3

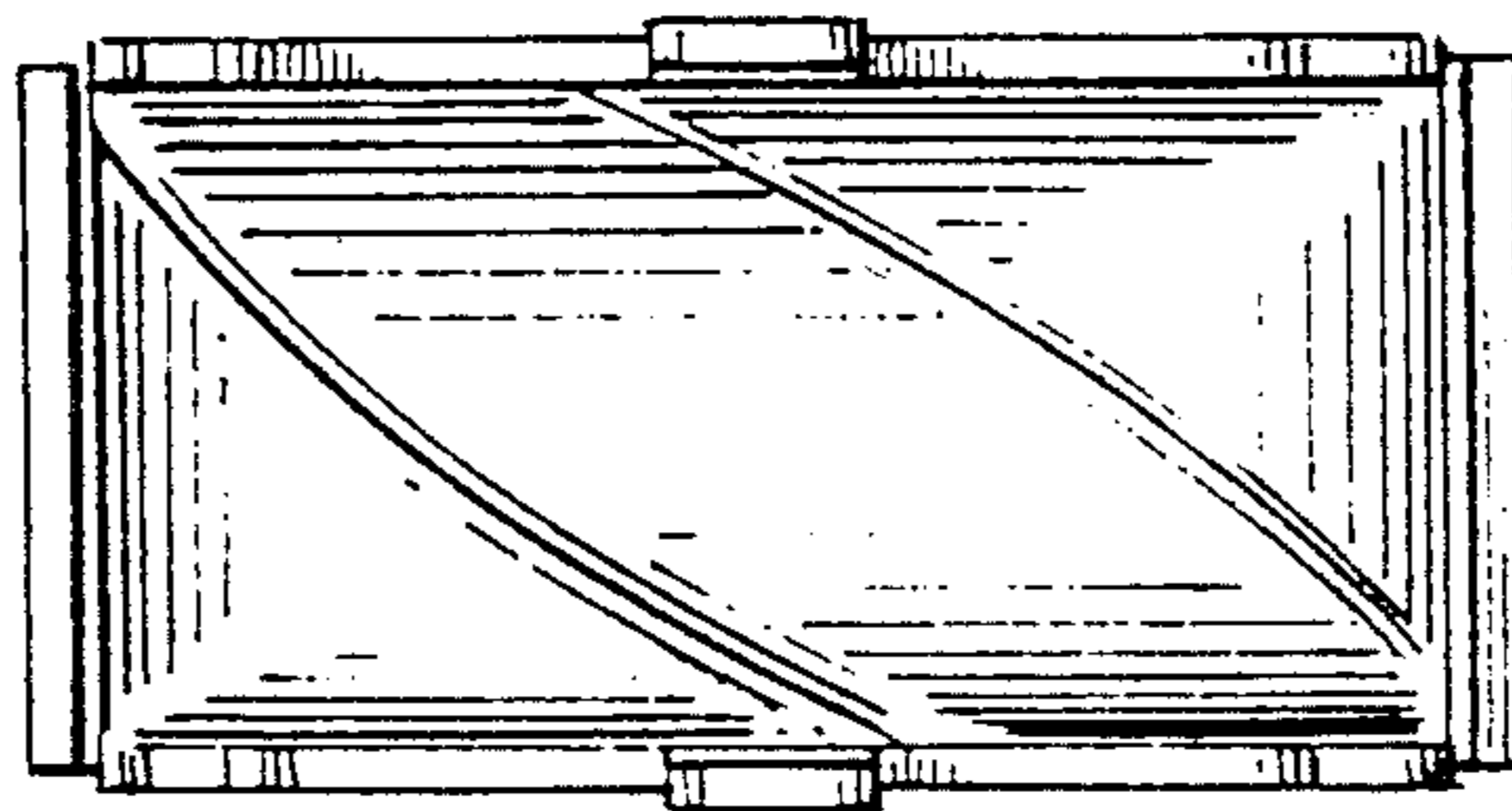


FIG. 5