



US00D327451S

# United States Patent [19]

[11] Patent Number: **Des. 327,451**

McNally, Jr.

[45] Date of Patent: **\*\* Jun. 30, 1992**

[54] **TOP SHELL FOR EXPANSION BRACELET LINK**

[75] Inventor: **John J. McNally, Jr., Warwick, R.I.**

[73] Assignee: **Textron Inc., Providence, R.I.**

[\*\*] Term: **14 Years**

[21] Appl. No.: **605,768**

[22] Filed: **Oct. 30, 1990**

[52] U.S. Cl. .... **D11/93; D11/4; D11/19**

[58] Field of Search ..... **D11/1-13, D11/15-25, 93, 94; 59/80-88, 90; 63/1.1-6; 224/171, 175, 178; D10/30-32**

[56] **References Cited**

**U.S. PATENT DOCUMENTS**

- D. 221,246 7/1971 Poon ..... D11/21
- D. 221,293 7/1971 Poon ..... D11/19
- D. 226,967 5/1973 Fontaine ..... D11/93

- D. 226,968 5/1973 Cowan ..... D11/93
- D. 305,622 1/1990 Wakimatsu ..... D11/93
- D. 321,665 11/1991 Crocco ..... D10/32
- 1,712,564 5/1929 Jones ..... 59/80
- 3,007,301 11/1961 Sand ..... 59/80

*Primary Examiner*—A. Hugo Word

*Assistant Examiner*—R. Seifert

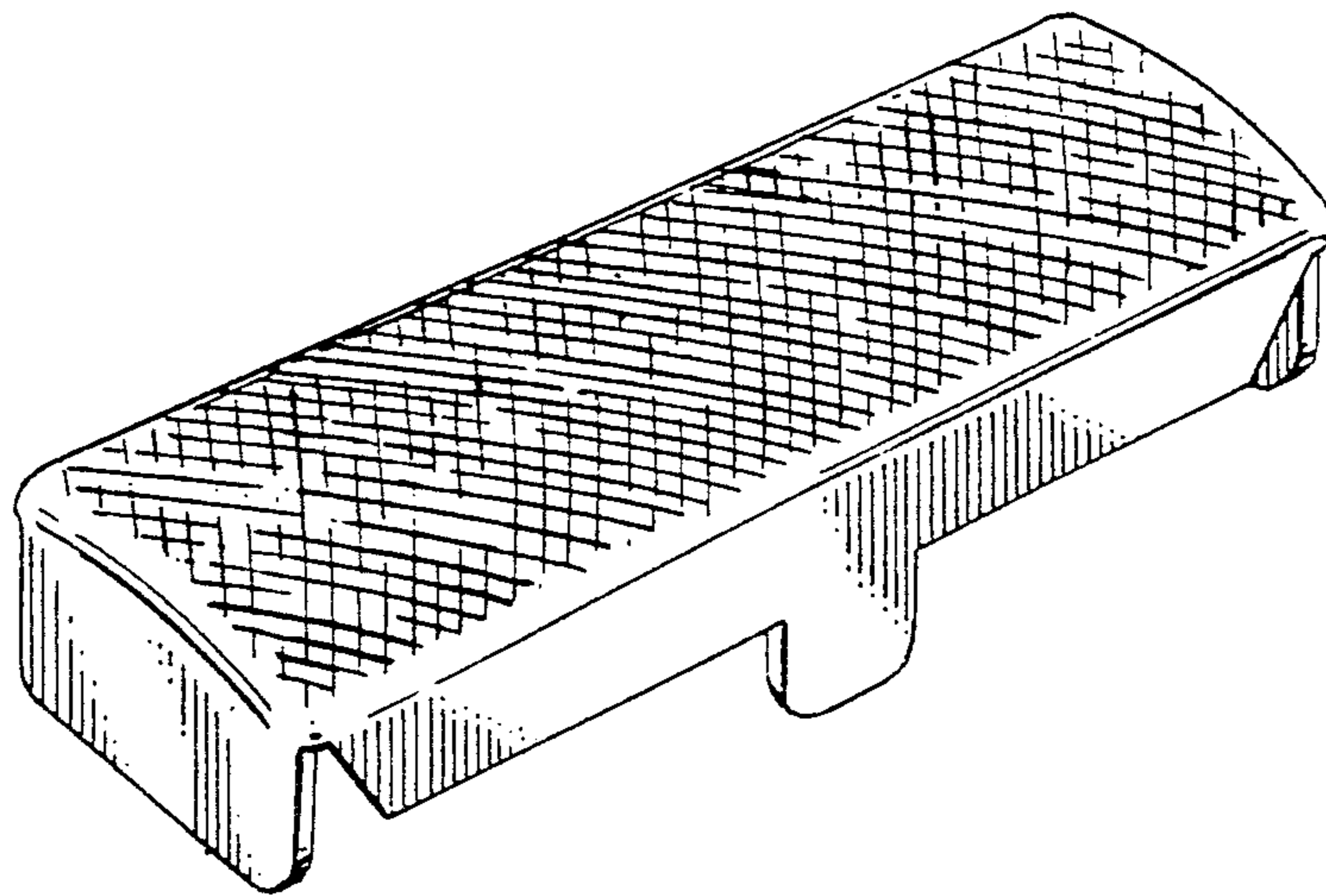
*Attorney, Agent, or Firm*—Samuels, Gauthier & Stevens

[57] **CLAIM**

The ornamental design for a top shell for expansion bracelet link, as shown and described.

**DESCRIPTION**

FIG. 1 is a perspective view of a top shell for expansion bracelet link showing my new design;  
 FIG. 2 is a top plan view thereof;  
 FIG. 3 is a side elevational view thereof;  
 FIG. 4 is a bottom plan view thereof;  
 FIG. 5 is an end elevational view thereof; and  
 FIG. 6 is a plan view of a plurality of links shown in a position of use.



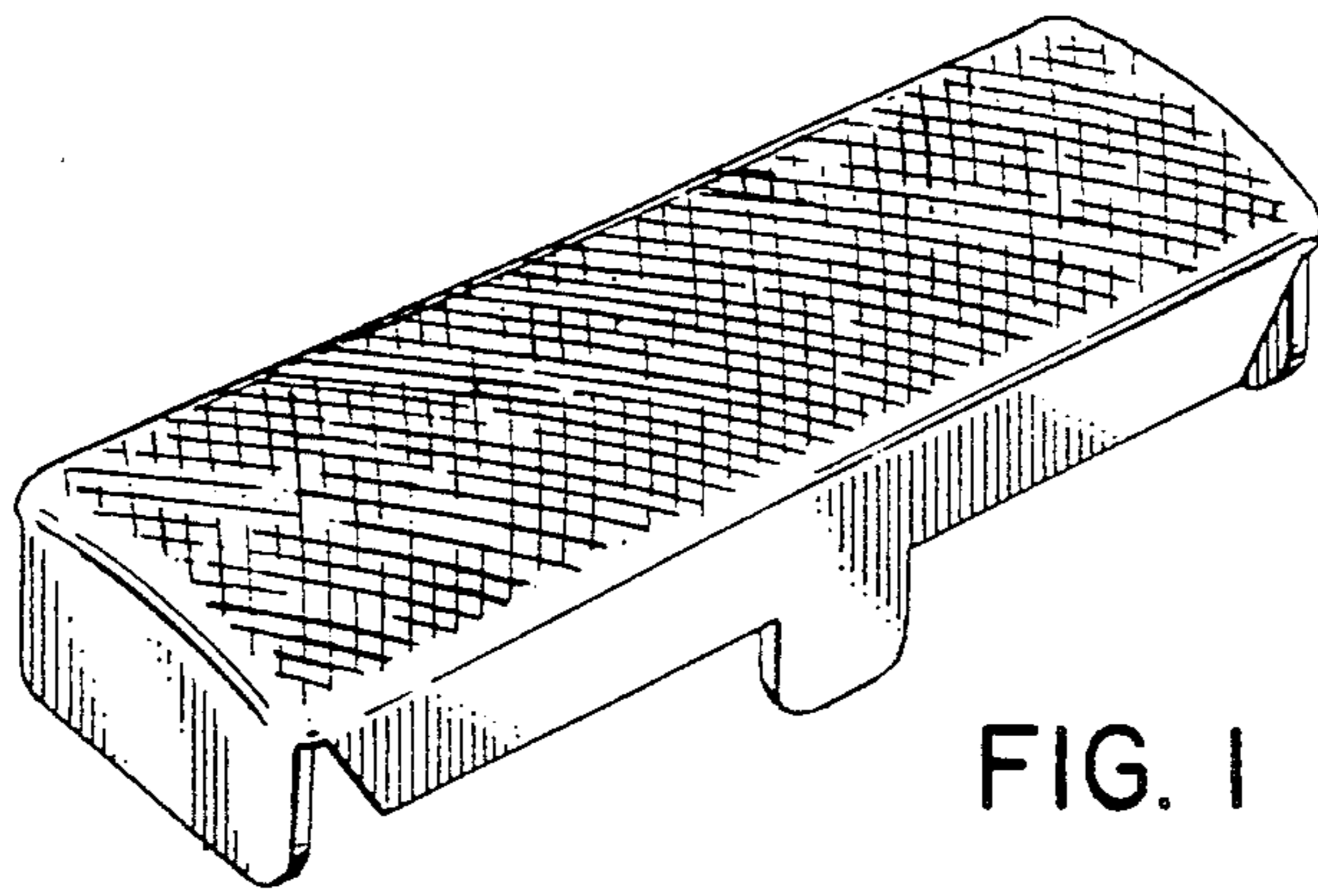


FIG. 1

FIG. 2

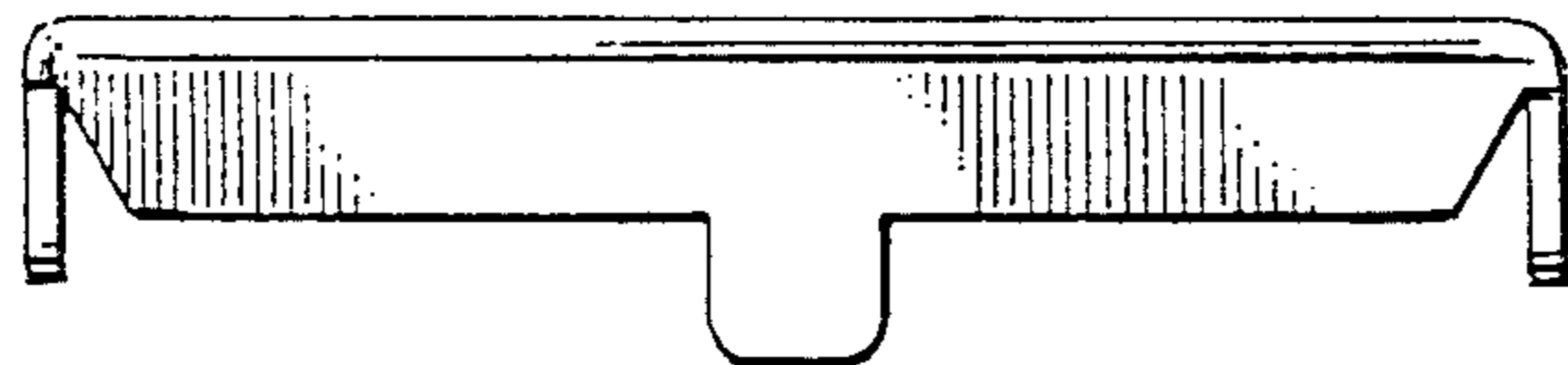
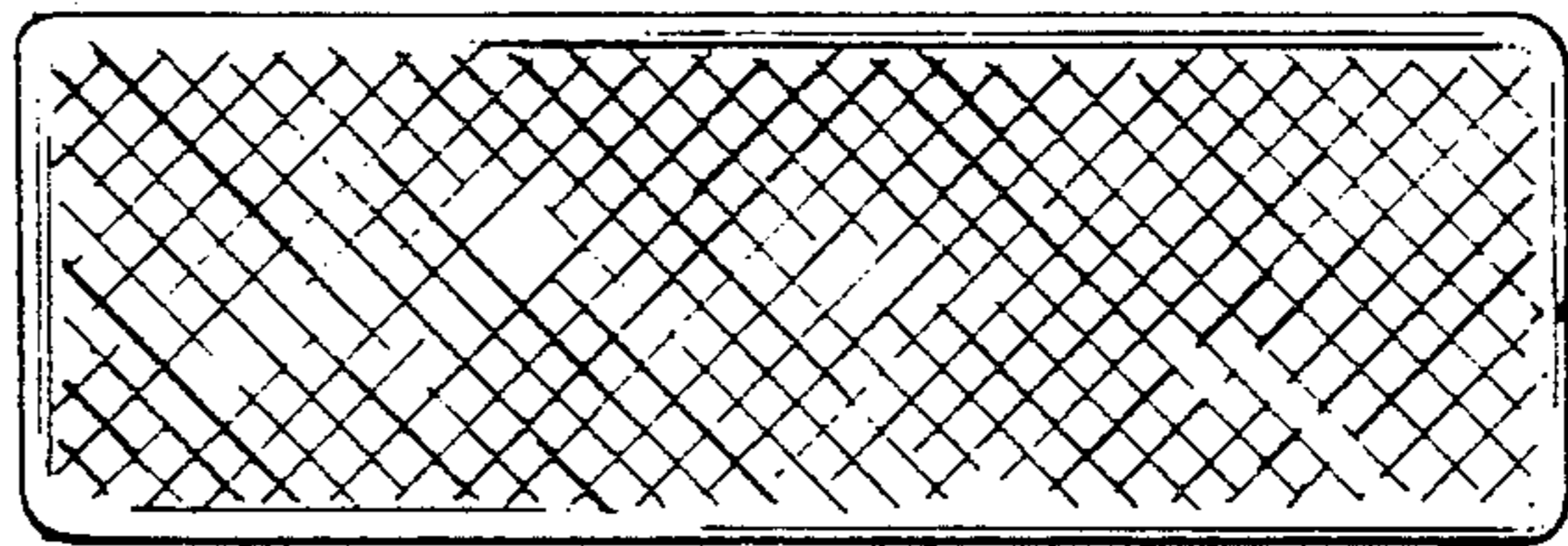


FIG. 3

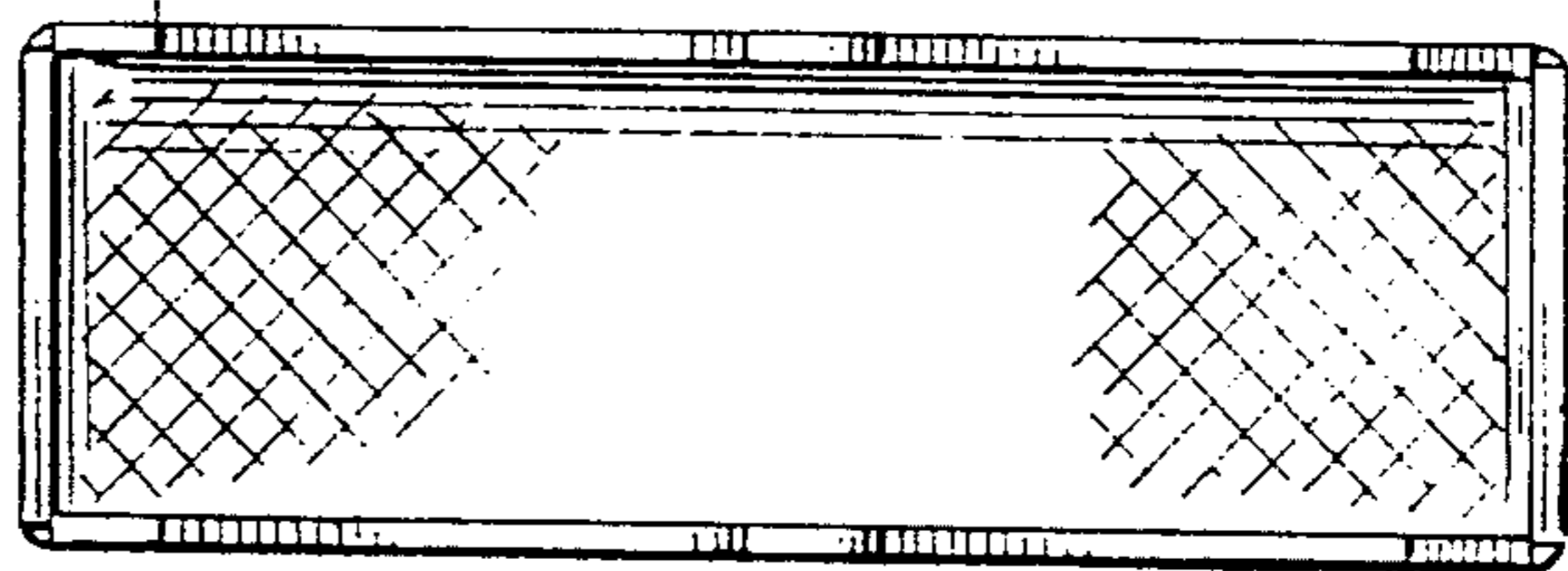


FIG. 4

FIG. 6

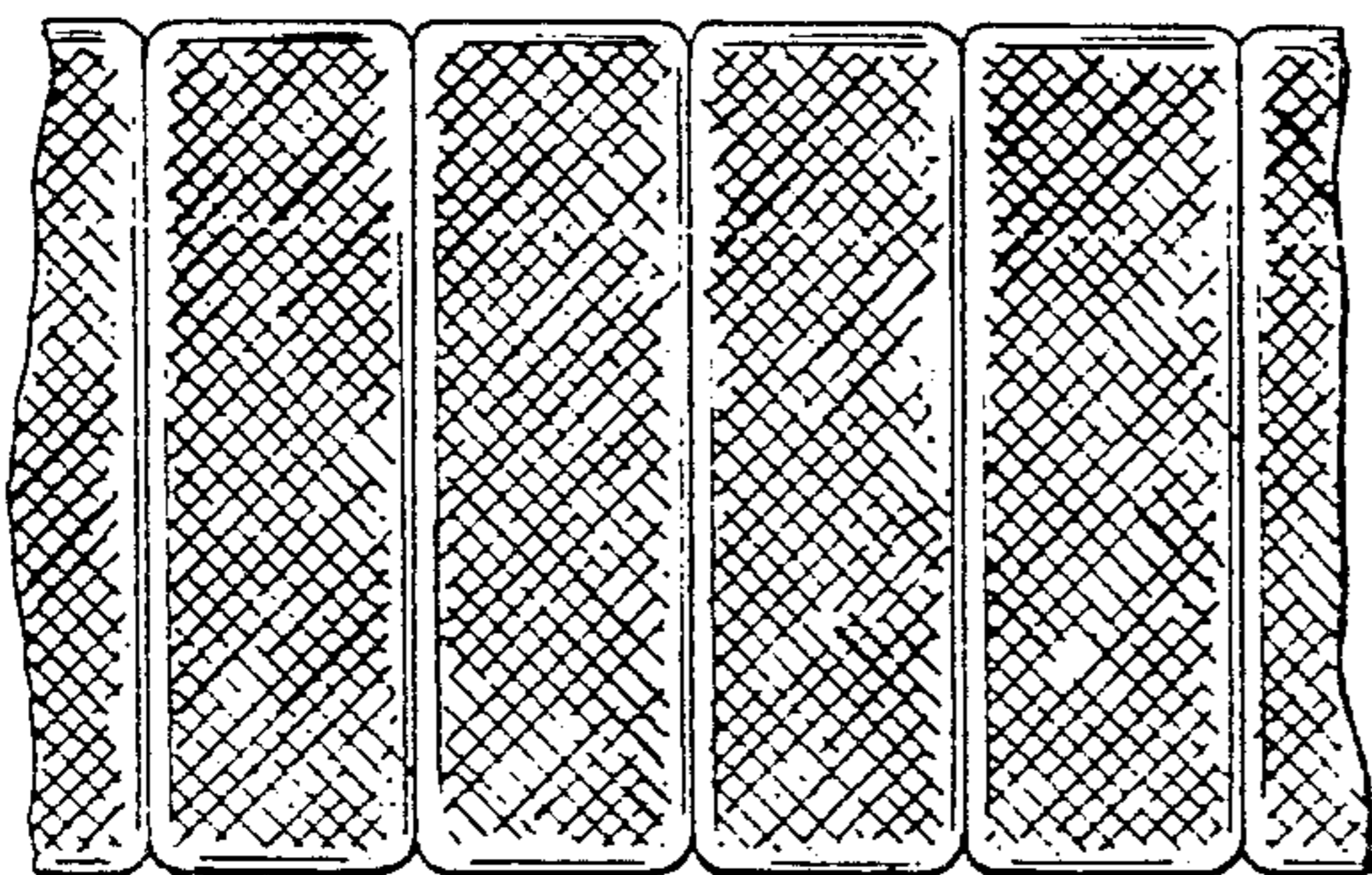


FIG. 5