



US00D327447S

United States Patent [19]

Smith, Sr.

[11] Patent Number: **Des. 327,447**

[45] Date of Patent: *** Jun. 30, 1992**

[54] PORTABLE CHEMILUMINESCENT MARKET

[76] Inventor: **Jacob O. Smith, Sr.**, 601 Armenia Dr., Pensacola, Fla. 32505

[*] Notice: The portion of the term of this patent subsequent to May 26, 2006 has been disclaimed.

[**] Term: **14 Years**

[21] Appl. No.: **491,848**

[22] Filed: **Mar. 12, 1990**

[52] U.S. Cl. **D10/114; D26/37**

[58] Field of Search **D26/37, 24, 138, 140; D10/114; 362/34, 84, 370; 116/63 P**

[56] **References Cited**

U.S. PATENT DOCUMENTS

D. 300.602	4/1989	Smith, Sr.	D26/37 X
3,938.465	2/1976	Lyons	362/34 X
4,768.136	8/1988	Tashjian	362/84

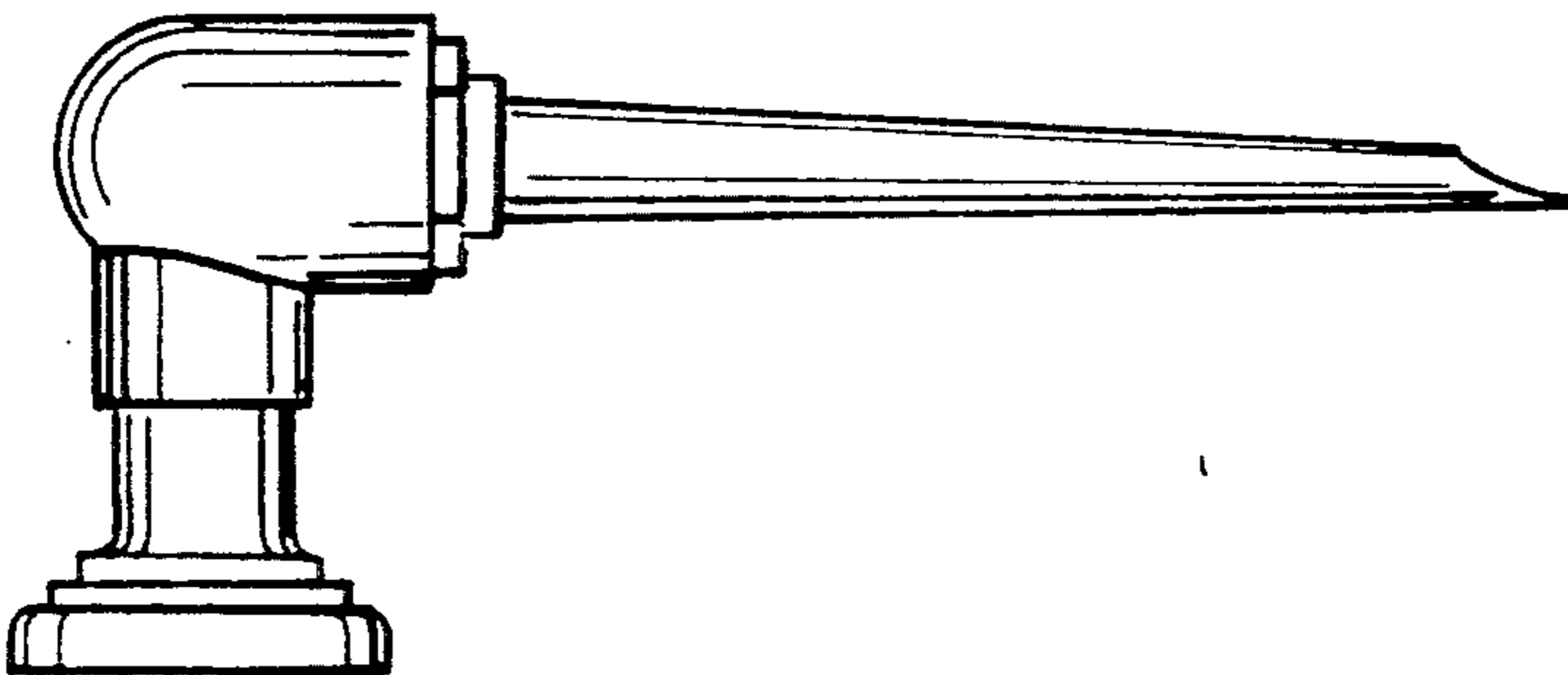
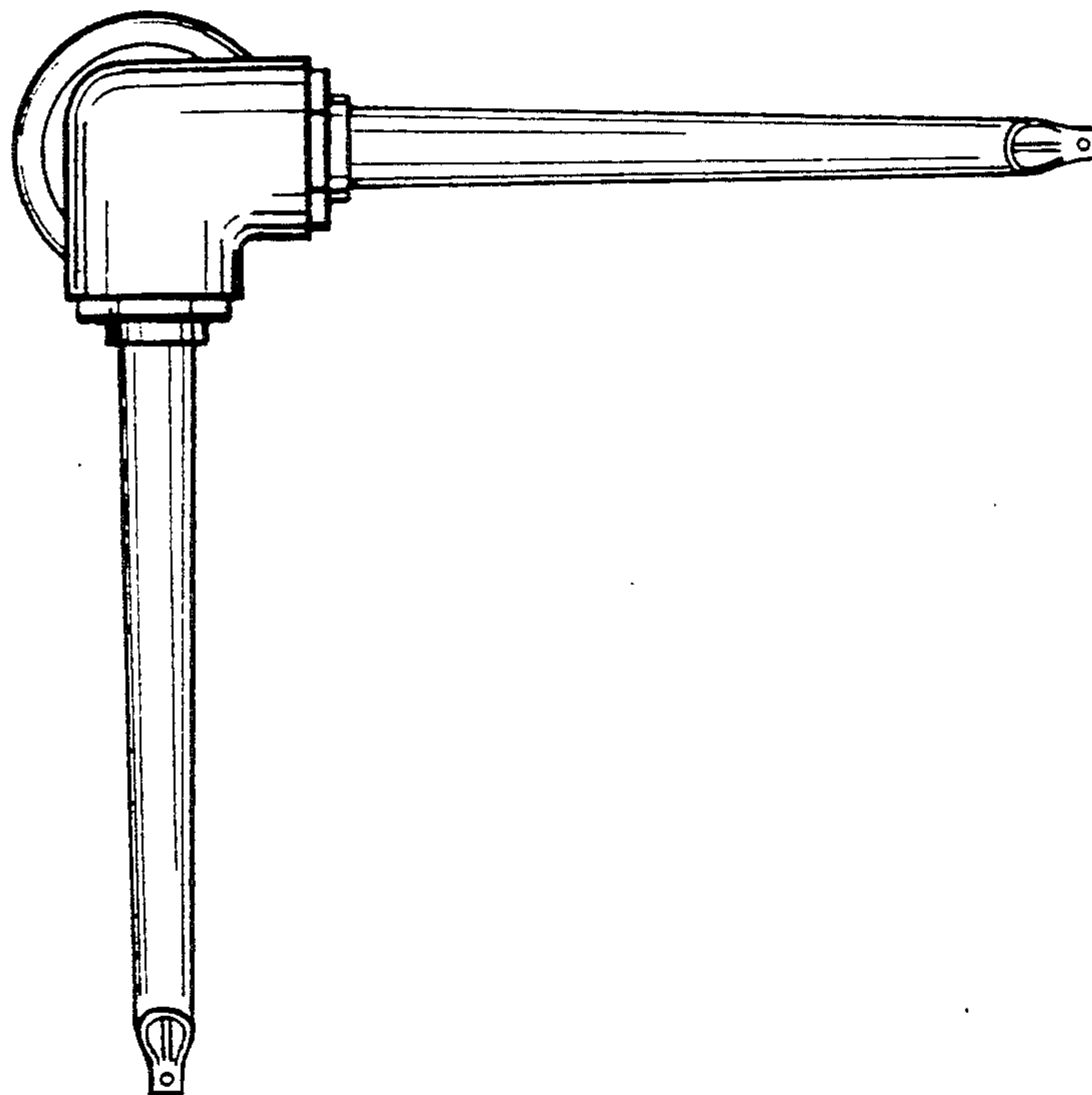
Primary Examiner—Susan J. Lucas
Attorney, Agent, or Firm—George A. Bode

[57] **CLAIM**

The ornamental design for a portable chemiluminescent marker, as shown and described.

DESCRIPTION

FIG. 1 is a top plan view of a portable chemiluminescent marker showing my new design;
FIG. 2 is a bottom plan view thereof;
FIG. 3 is a rear elevational view thereof;
FIG. 4 is a right side elevational view thereof;
FIG. 5 is a left side elevational view thereof; and
FIG. 6 is a front elevational view thereof.



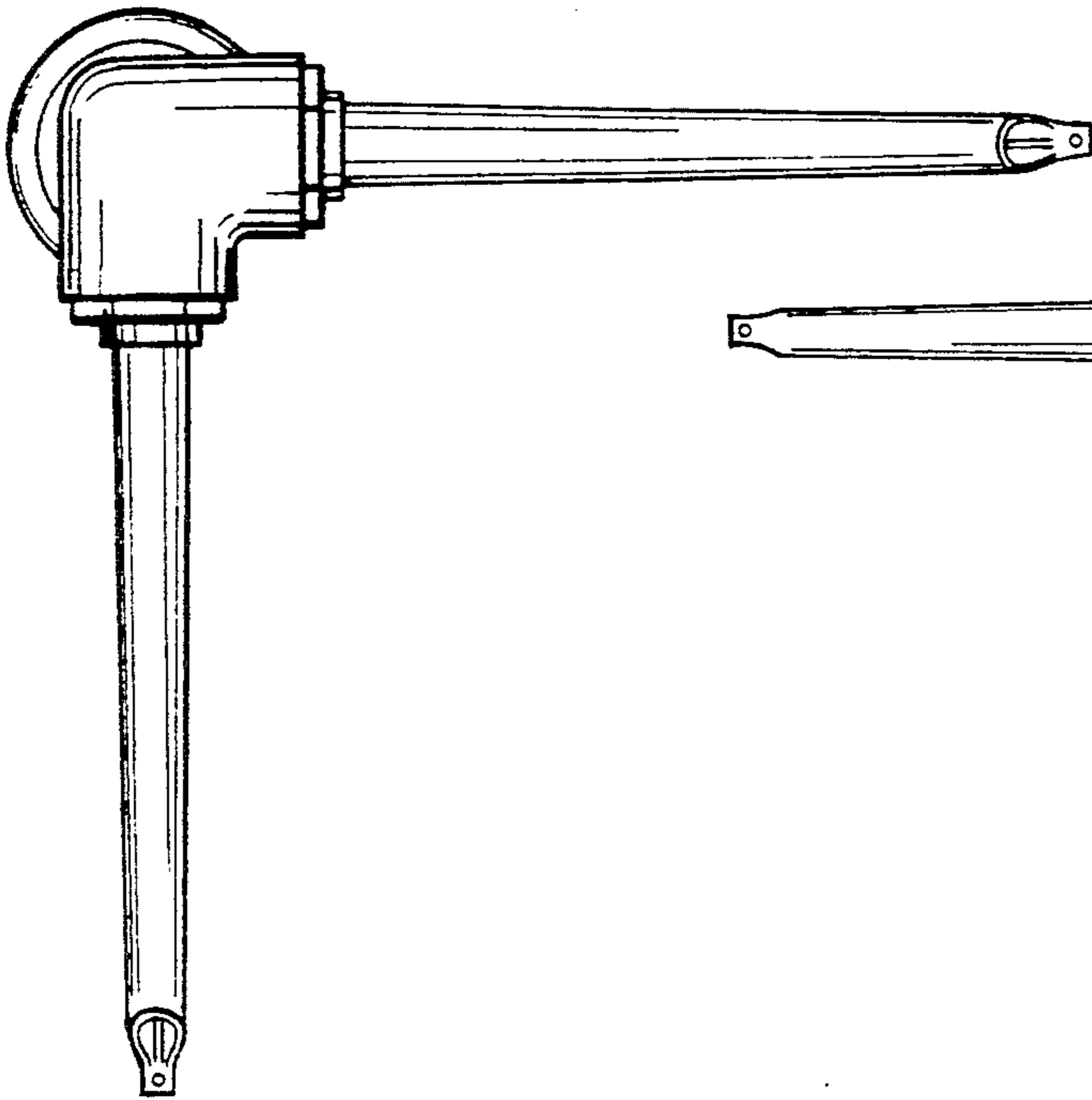


FIG. 1

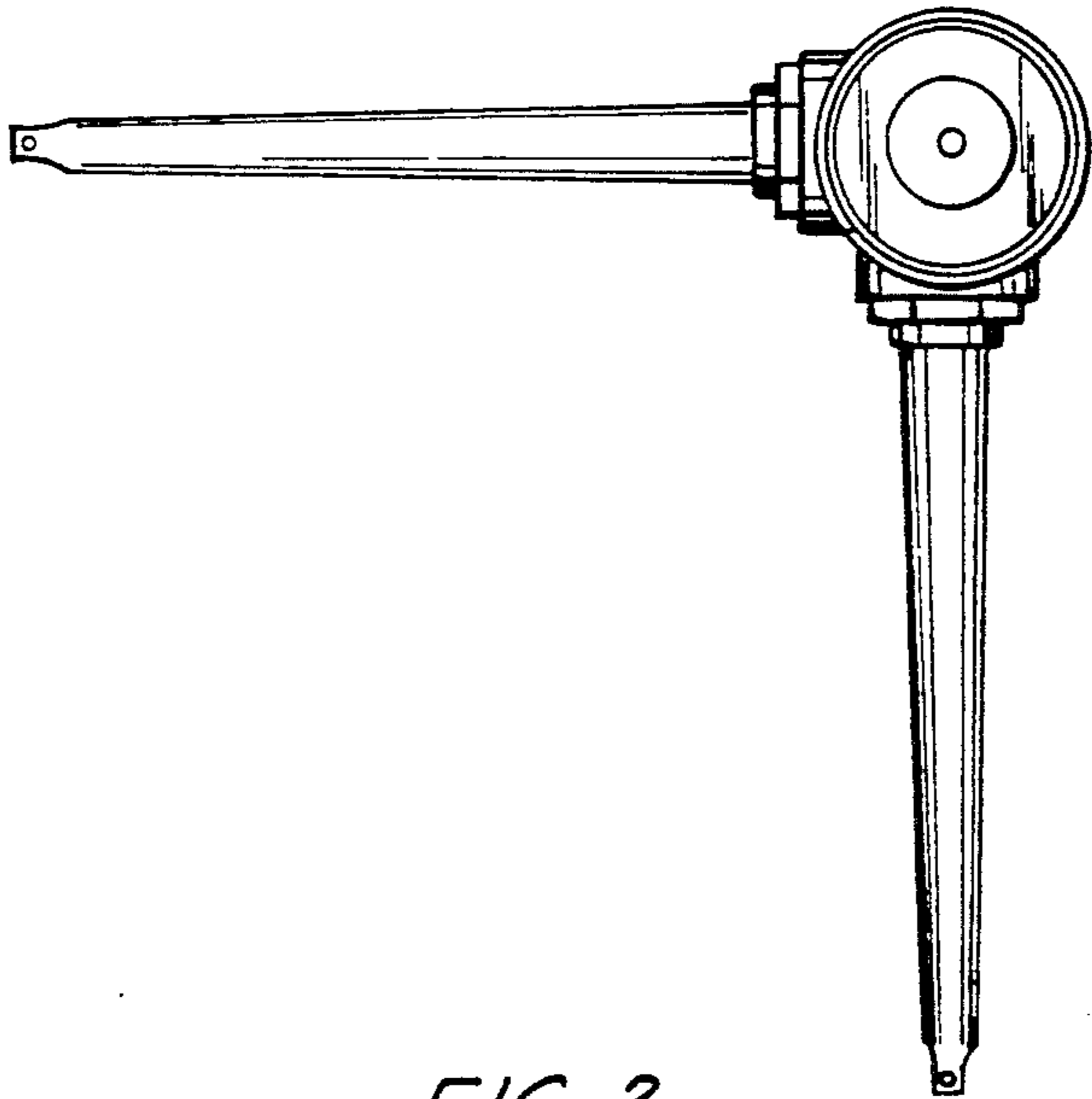


FIG. 2

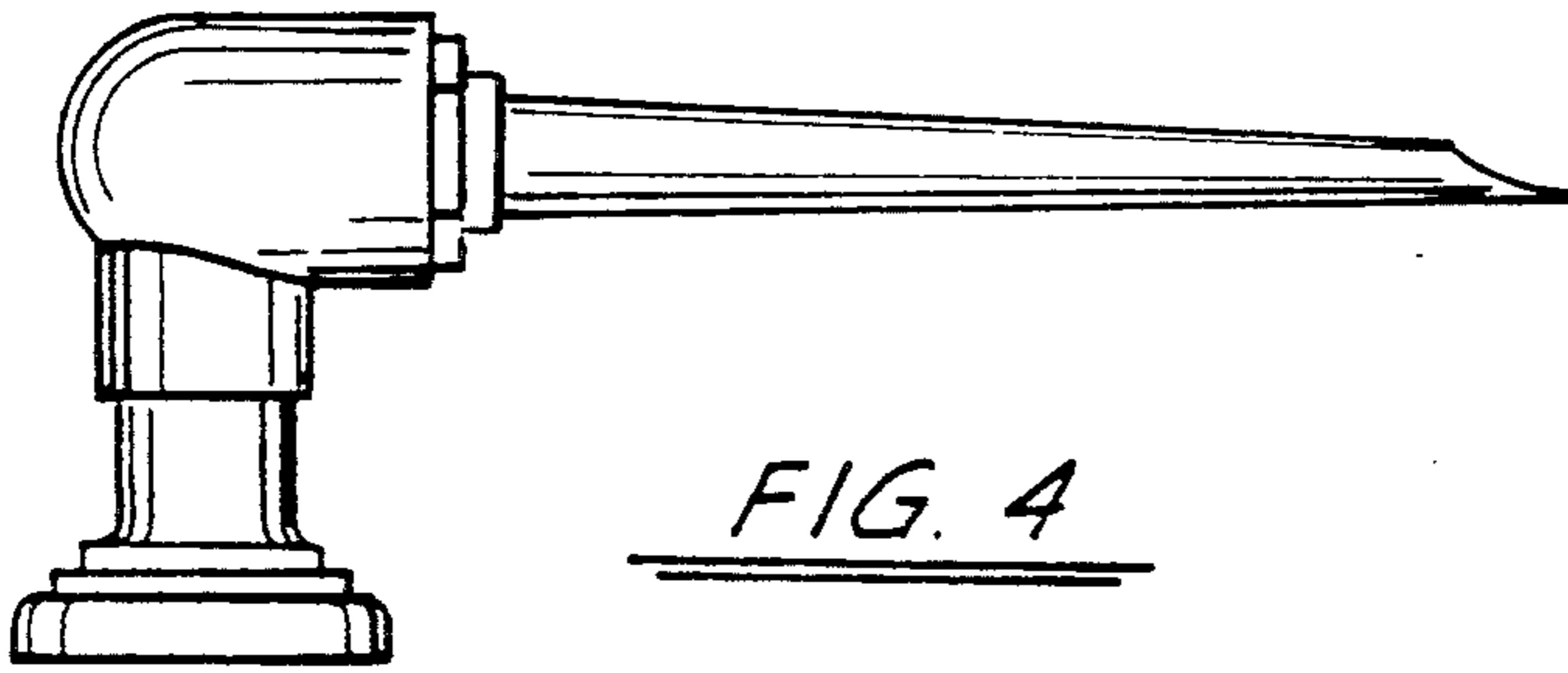


FIG. 4

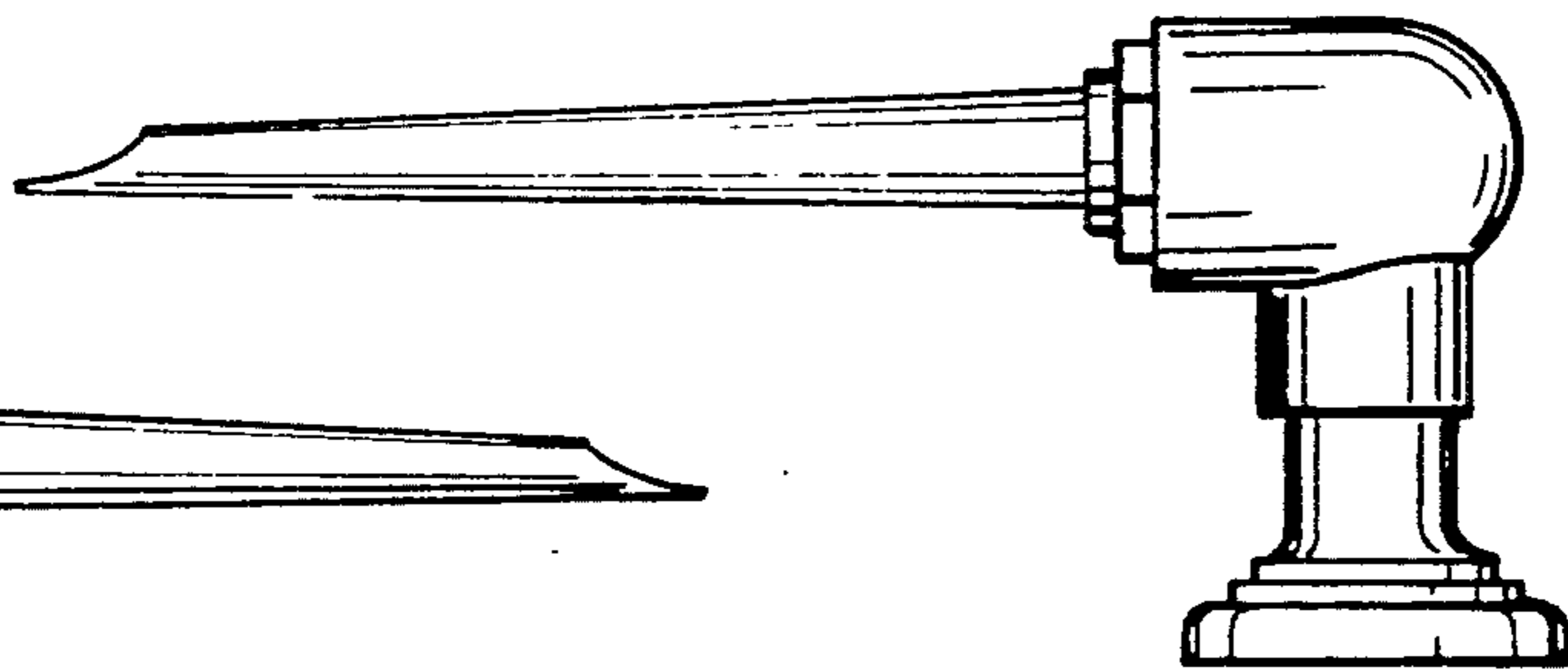


FIG. 3

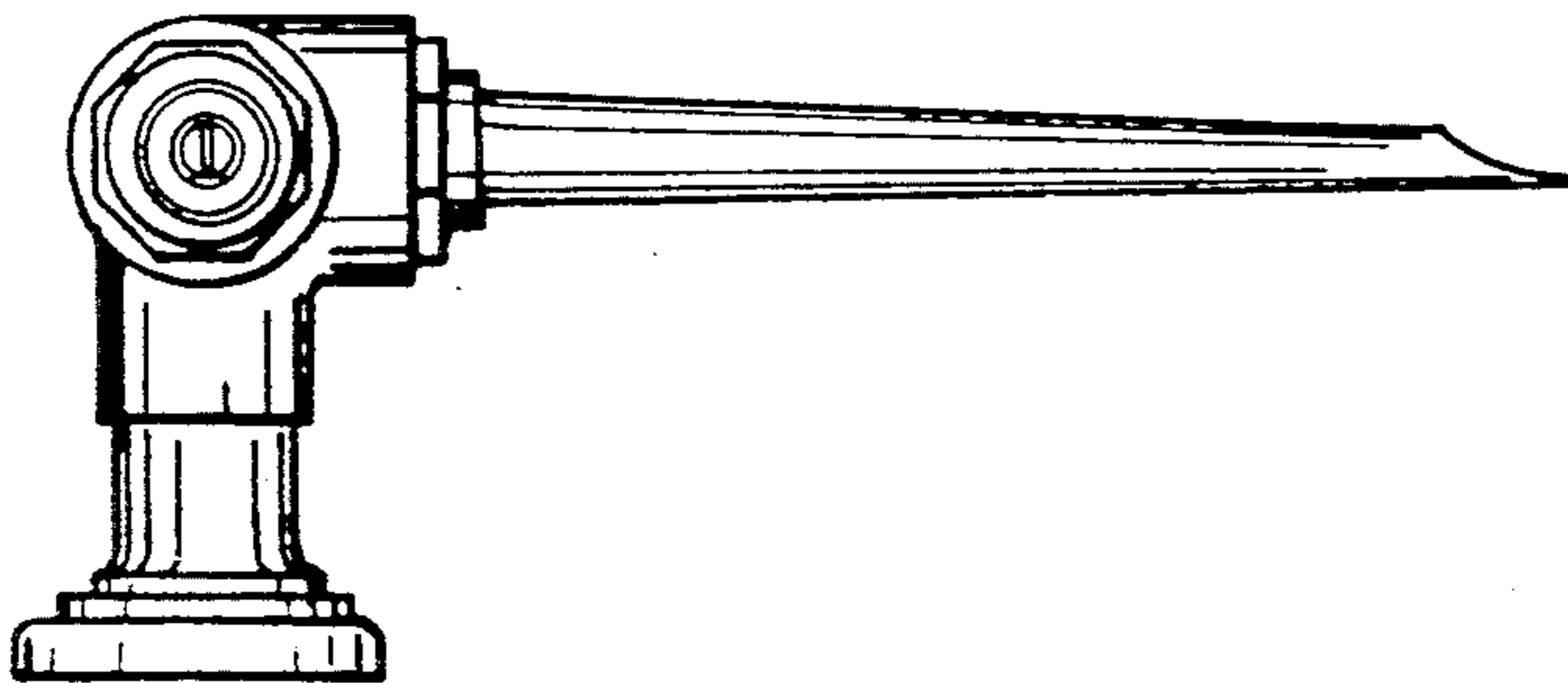


FIG. 6

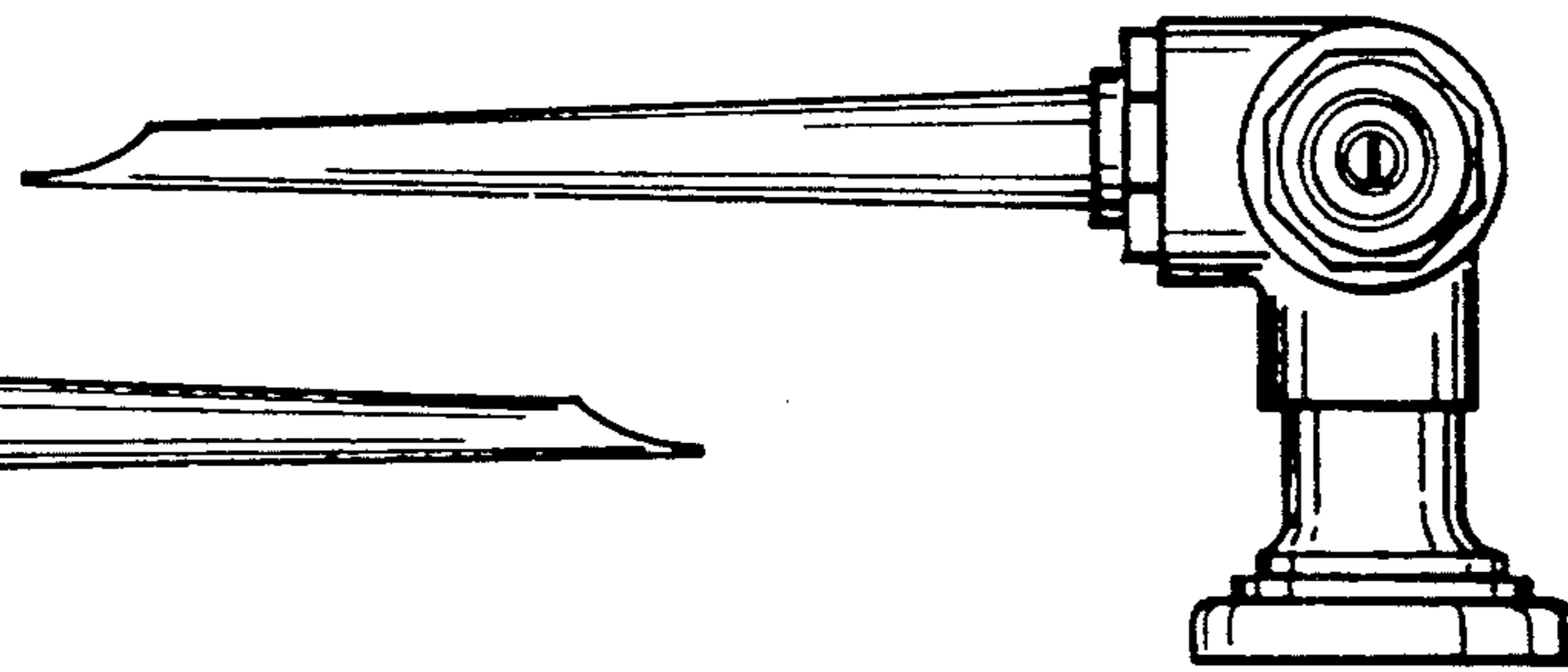


FIG. 5