



US00D327429S

United States Patent [19]
Hutchinson

[11] **Patent Number: Des. 327,429**
[45] **Date of Patent: ** Jun. 30, 1992**

[54] **SOAP AND POWDER DISPENSER**

[76] **Inventor: Craig Hutchinson, Box 345,
Sparwood, Canada, VOB2G0**

[**] **Term: 14 Years**

[21] **Appl. No.: 539,516**

[22] **Filed: Jun. 15, 1990**

[52] **U.S. Cl. D9/435; D9/437;
D9/439; D9/440; D9/447; D9/451**

[58] **Field of Search D9/435-437,
D9/439-441, 443, 447, 451, 331; D7/589;
222/81, 89-91, 108, 207, 531, 537, 548, 566,
570-571; 215/1 A, 4, 100 A, 229, 235, 250, 253,
258, 306**

[56] **References Cited**

U.S. PATENT DOCUMENTS

- D. 96,395 7/1935 Kihn D9/331
- D. 206,136 11/1966 Schmid D9/451 X
- D. 229,895 1/1974 Musumeci D9/437
- D. 268,908 5/1983 Santioni D9/437

- D. 280,692 9/1985 Sullivan D9/437 X
- D. 285,055 8/1986 Heubel D9/437 X
- 532,990 1/1895 Rau 222/537
- 2,311,255 2/1943 Read 222/90
- 2,587,716 3/1952 Fengler 222/90
- 2,630,943 3/1953 Mooradian 222/90

Primary Examiner—Bernard Ansher
Assistant Examiner—Dominic Simone
Attorney, Agent, or Firm—Leon Gilden

[57] **CLAIM**

The ornamental design for a soap and powder dispenser, as shown and described.

DESCRIPTION

FIG. 1 is a front elevational view of the soap and powder dispenser showing my new design;
FIG. 2 is a rear elevational view thereof;
FIG. 3 is a left side elevational view thereof;
FIG. 4 is a right side elevational view thereof;
FIG. 5 is a top plan view thereof;
FIG. 6 is a bottom plan view thereof; and,
FIG. 7 is a perspective view thereof, the container shown in broken lines for illustrative purposes only.

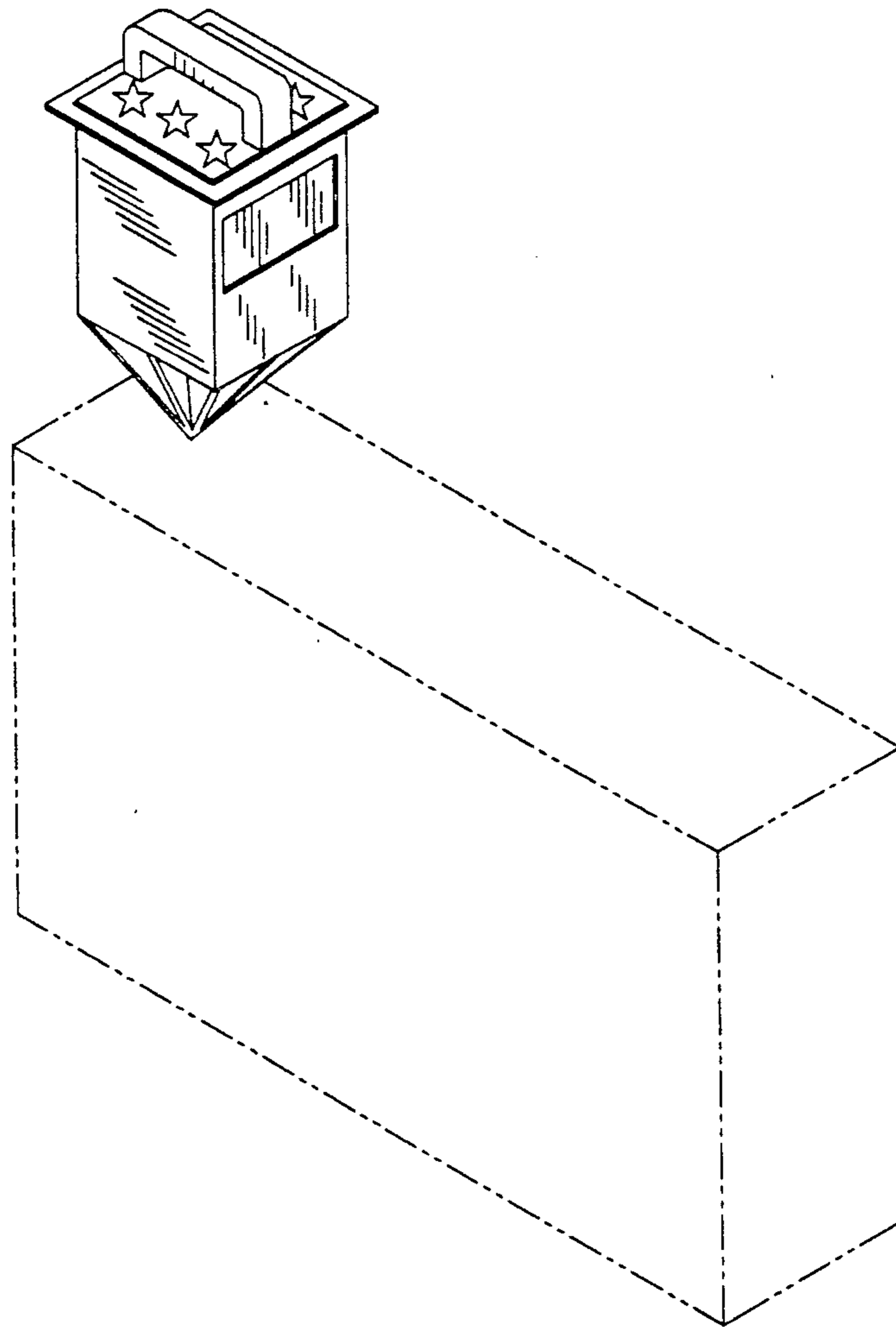


FIG. 1

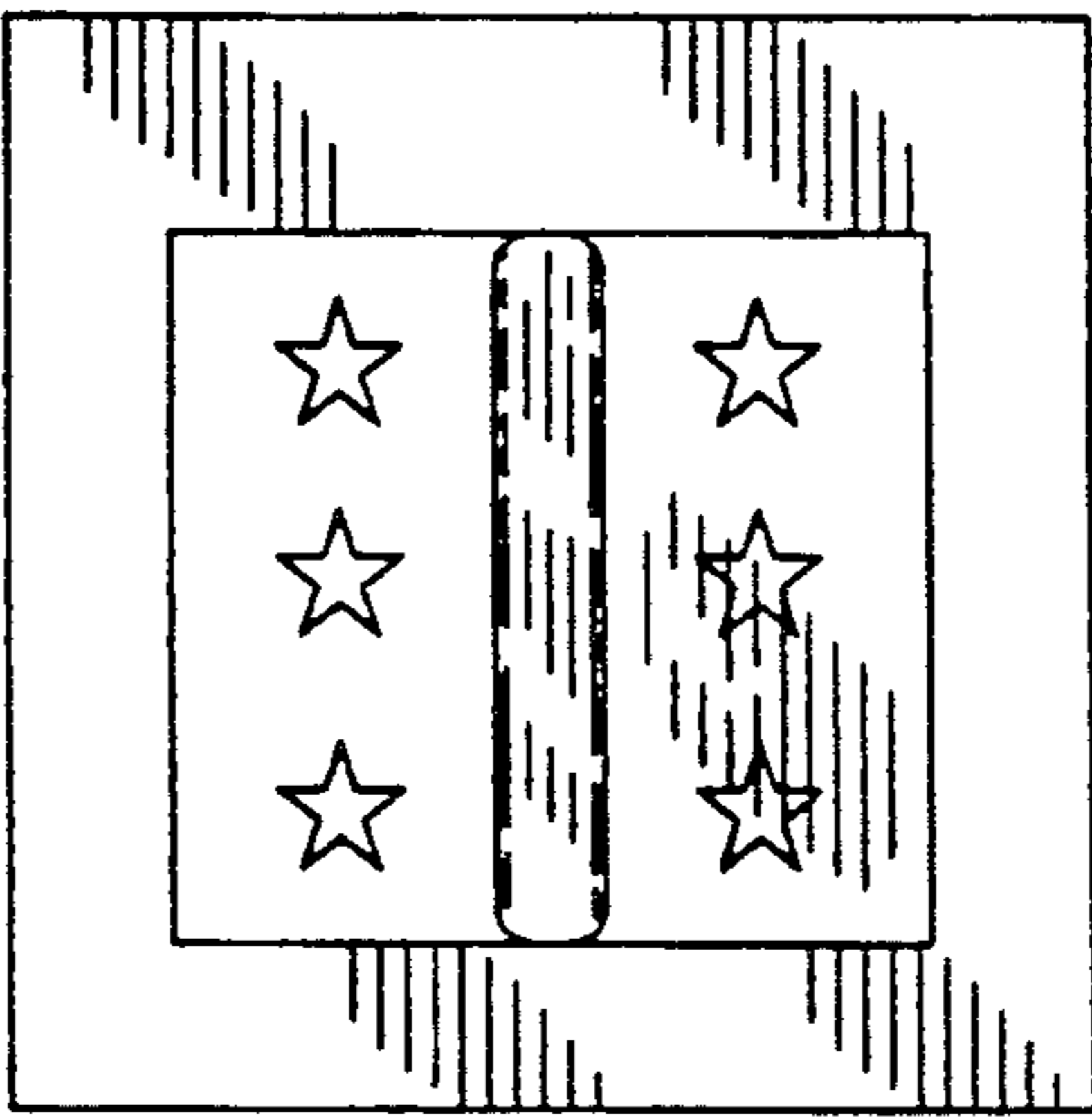


FIG. 2

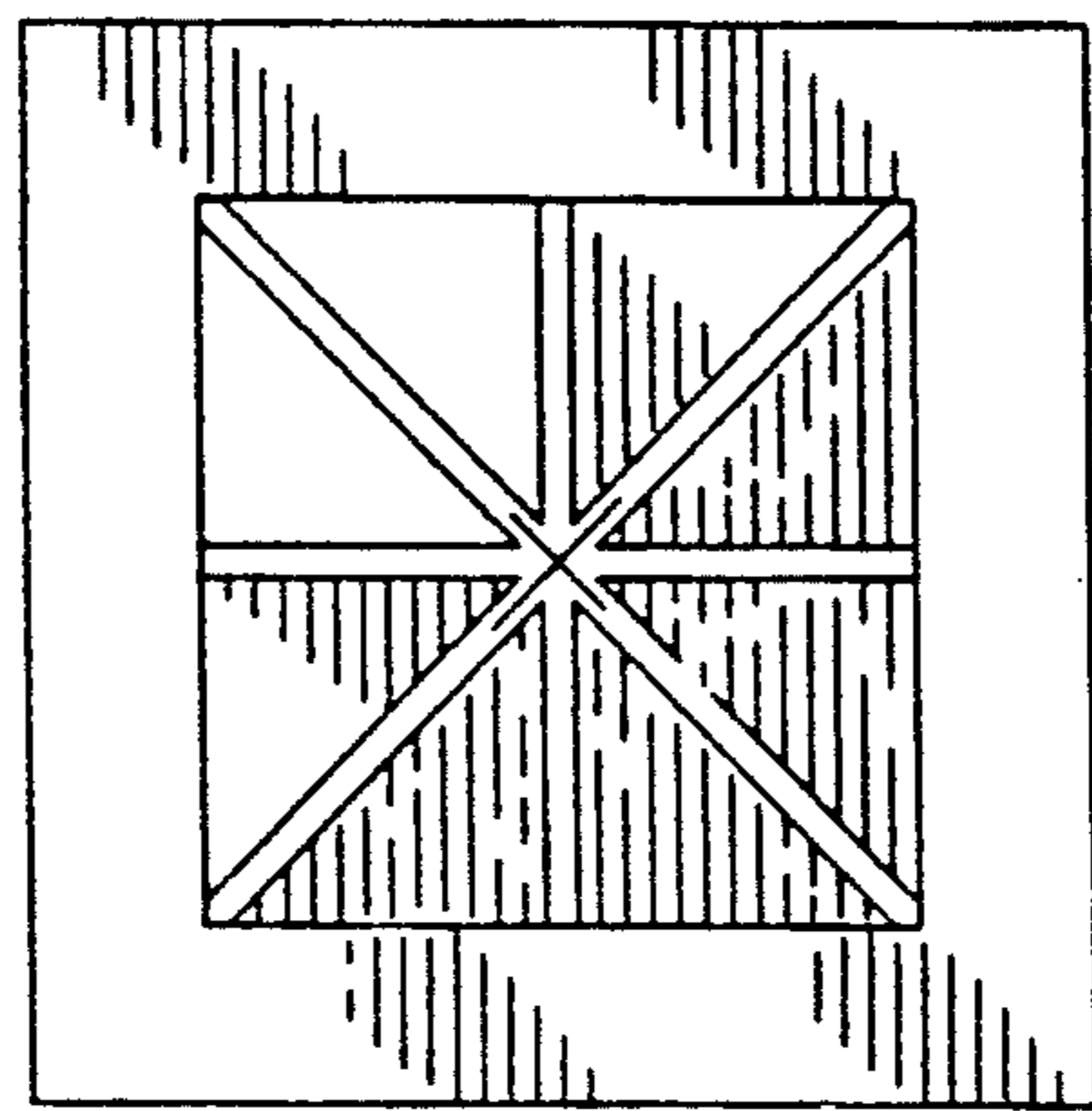


FIG. 3

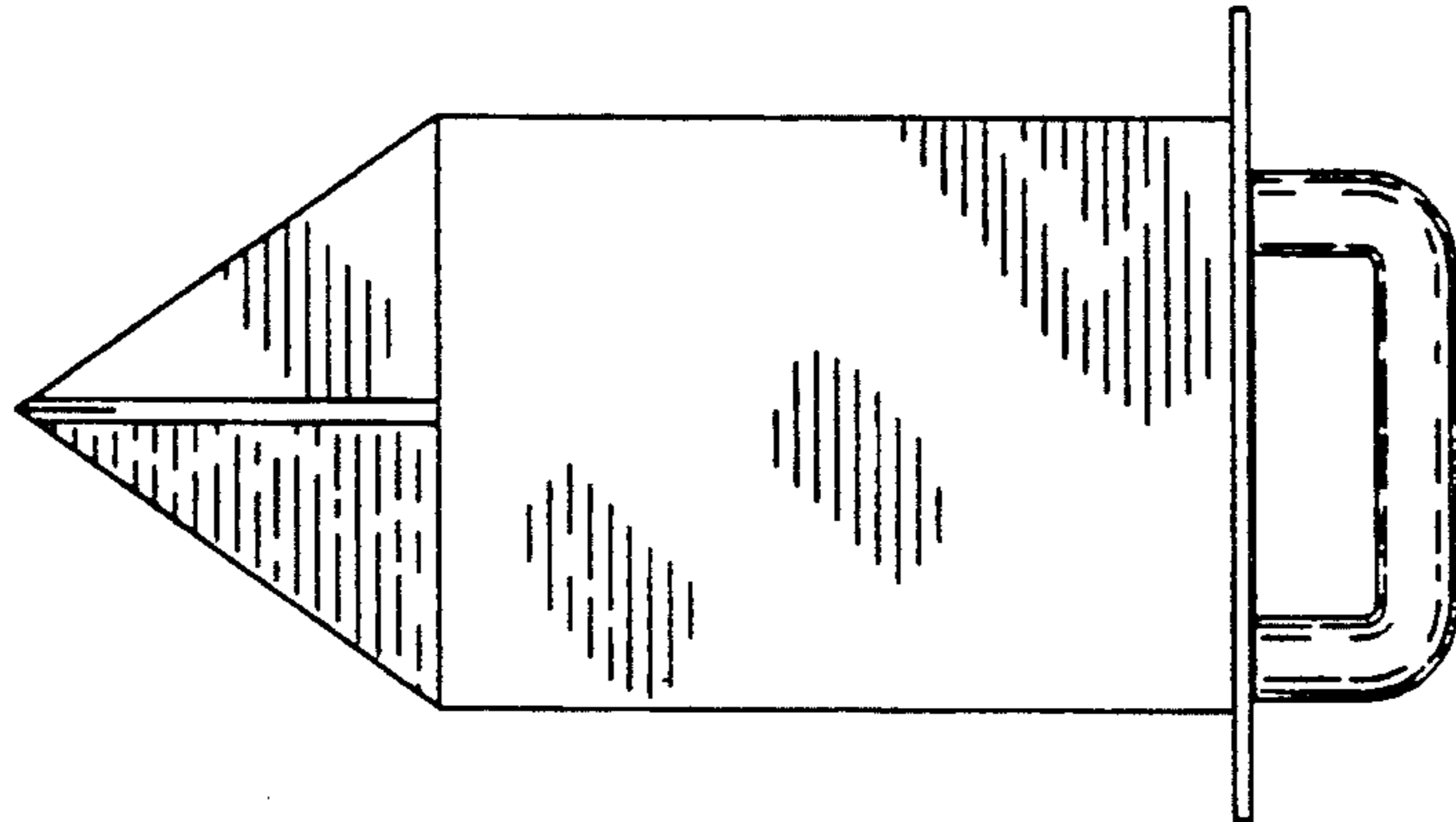


FIG. 4

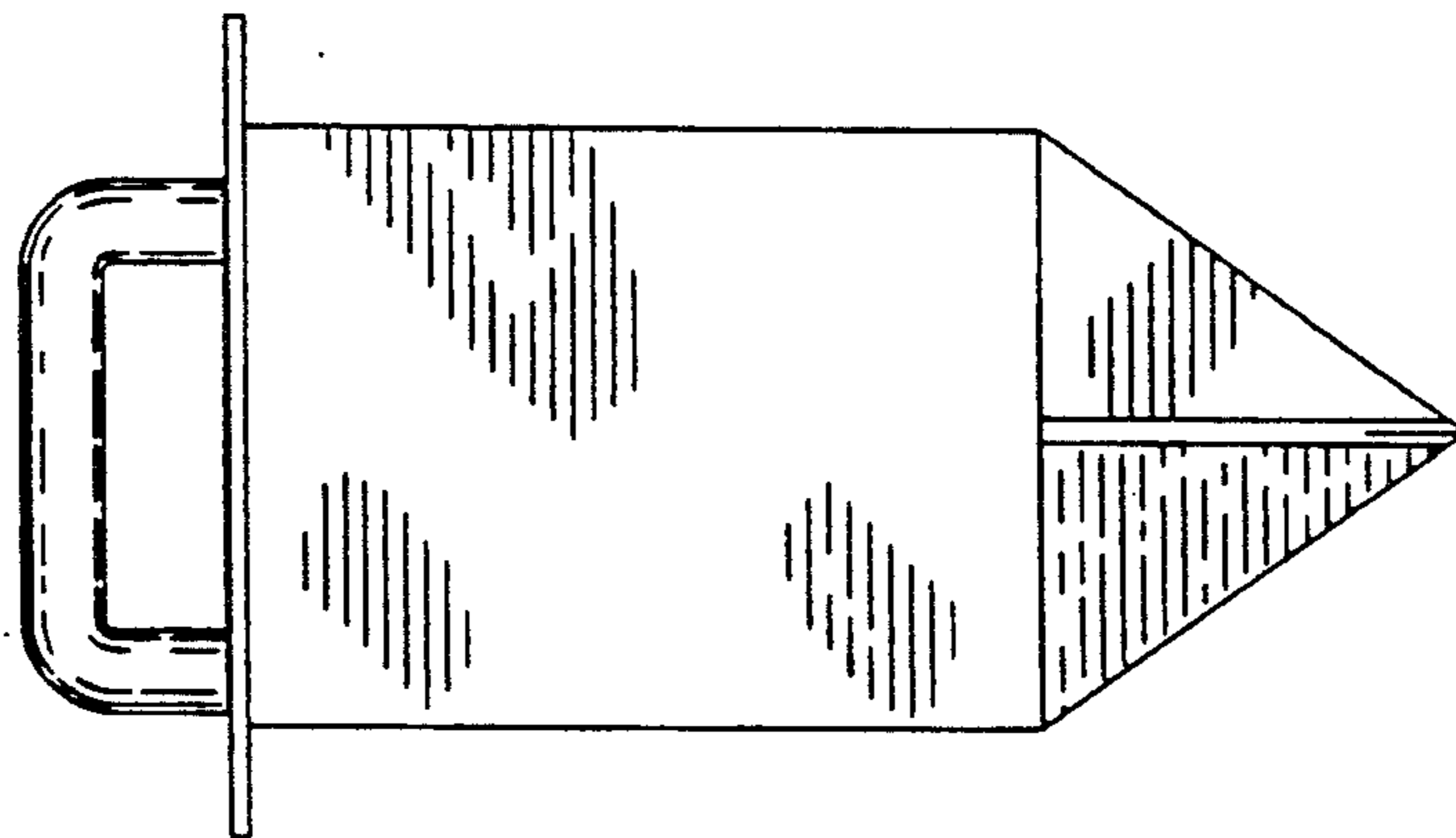


FIG. 5

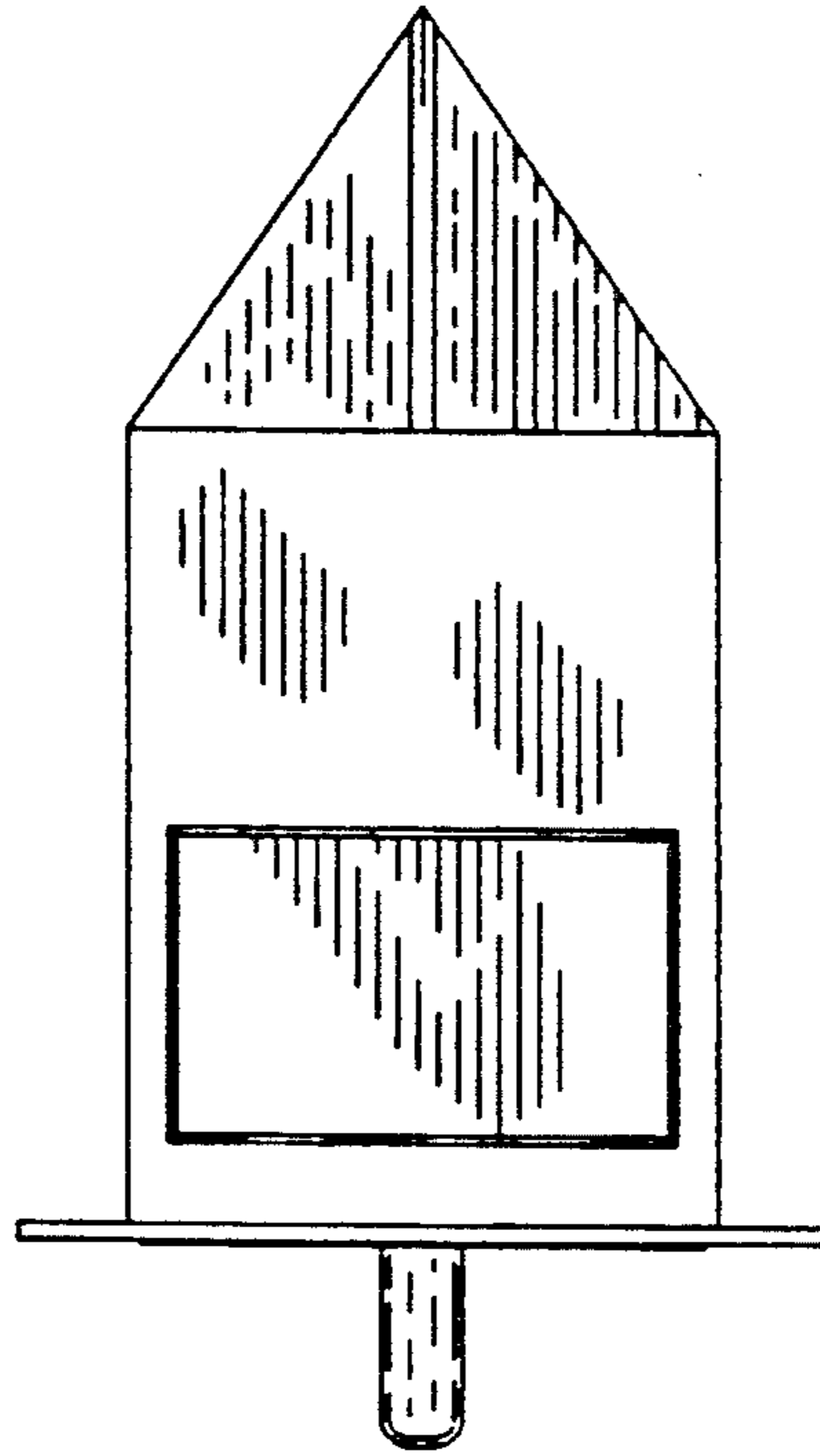


FIG. 6

