



US00D327428S

United States Patent [19]

Perrotta

[11] Patent Number: Des. 327,428

[45] Date of Patent: ** Jun. 30, 1992

[54] BEVERAGE CAN TOP

[76] Inventor: Robert A. Perrotta, 3354 Woodrun Trail, Marietta, Ga. 30062

[**] Term: 14 Years

[21] Appl. No.: 454,132

[22] Filed: Dec. 21, 1989

[52] U.S. Cl. D9/435; D9/447

[58] Field of Search D9/435, 445, 447; D7/511, 605, 607; 215/1 R, 200, 100 R; 220/200, 90.2, 90.4; D34/1; D15/5

[56] References Cited

U.S. PATENT DOCUMENTS

D. 31,399	8/1899	Cose	D9/434
D. 123,212	10/1940	Lumley	D34/1
D. 201,067	5/1965	Cook	D9/435
D. 236,252	8/1975	Sette	D9/448
D. 278,033	3/1985	Borkan et al.	D9/454 X
D. 283,210	4/1986	Preisler	D15/5 X
D. 316,652	5/1991	Hunter	D7/511 X
1,646,623	10/1927	McConnell	220/254
4,624,384	11/1986	Ko	D7/511 X
4,928,848	5/1990	Ballway	D7/511 X

Primary Examiner—Bernard Ansher
Assistant Examiner—Dominic Simone
Attorney, Agent, or Firm—Richard C. Litman

[57] CLAIM

The ornamental design for a beverage can top, as shown and described.

DESCRIPTION

FIG. 1 is an exploded perspective view of a can and cooler in broken lines and a beverage can top showing my new design;

FIG. 2 is an enlarged front perspective view thereof;

FIG. 3 is an enlarged front elevational view thereof;

FIG. 4 is an enlarged left side elevational view thereof, the right side being a mirror image;

FIG. 5 is an enlarged top plan view thereof;

FIG. 6 is an enlarged bottom plan view thereof;

FIG. 7 is an enlarged front perspective view of a second embodiment of FIG. 1;

FIG. 8 is an enlarged front elevational view of FIG. 7;

FIG. 9 is an enlarged left side elevational view of FIG. 7, the right side being a mirror image;

FIG. 10 is an enlarged top plan view of FIG. 7;

FIG. 11 is an enlarged bottom plan view of FIG. 7;

FIG. 12 is an enlarged top front perspective view of a third embodiment of FIG. 1;

FIG. 13 is an enlarged front elevational view of FIG. 12;

FIG. 14 is an enlarged right side elevational view of FIG. 12, the left side being a mirror image;

FIG. 15 is an enlarged top plan view of FIG. 12; and,

FIG. 16 is an enlarged bottom plan view of FIG. 12.

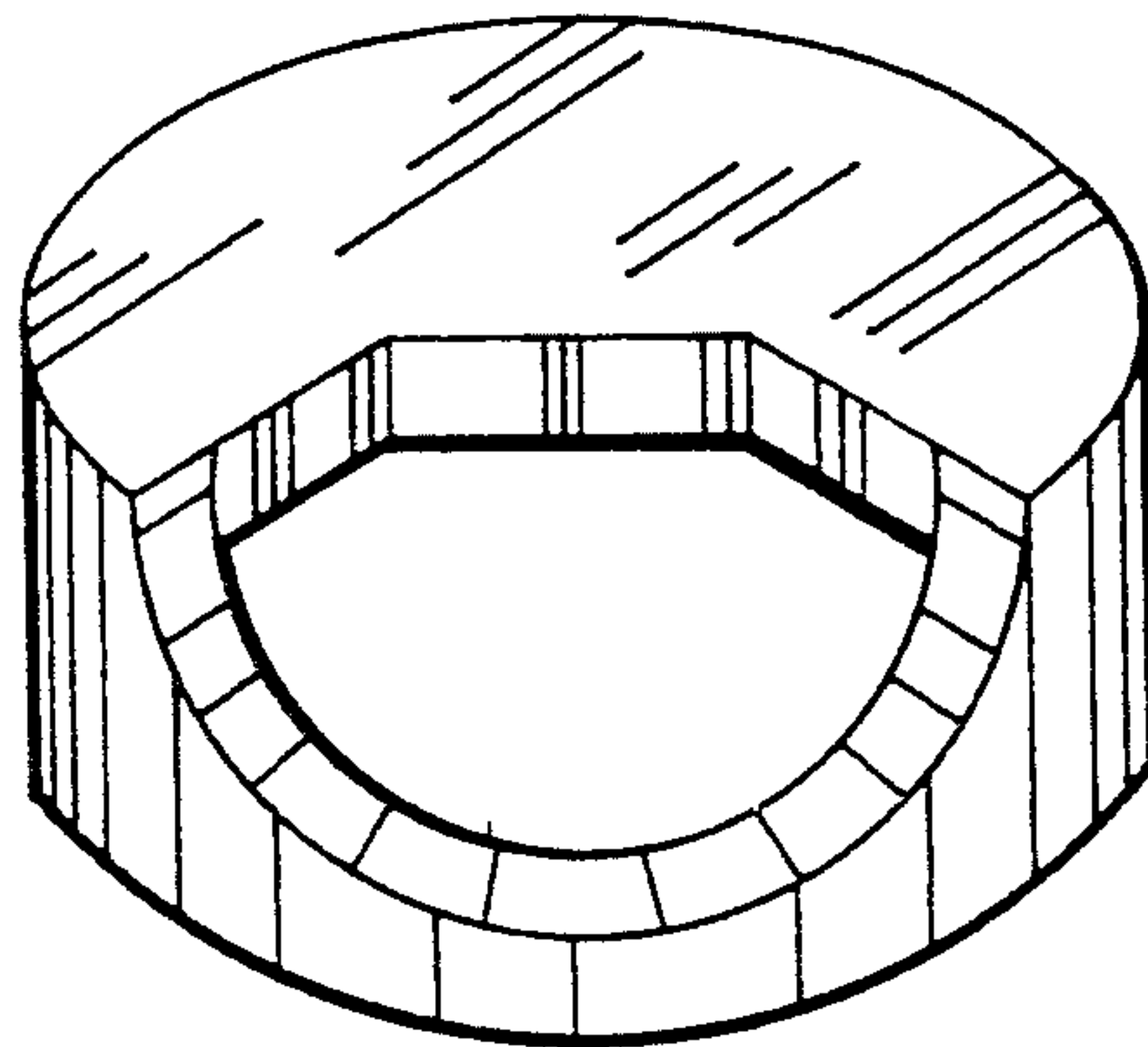
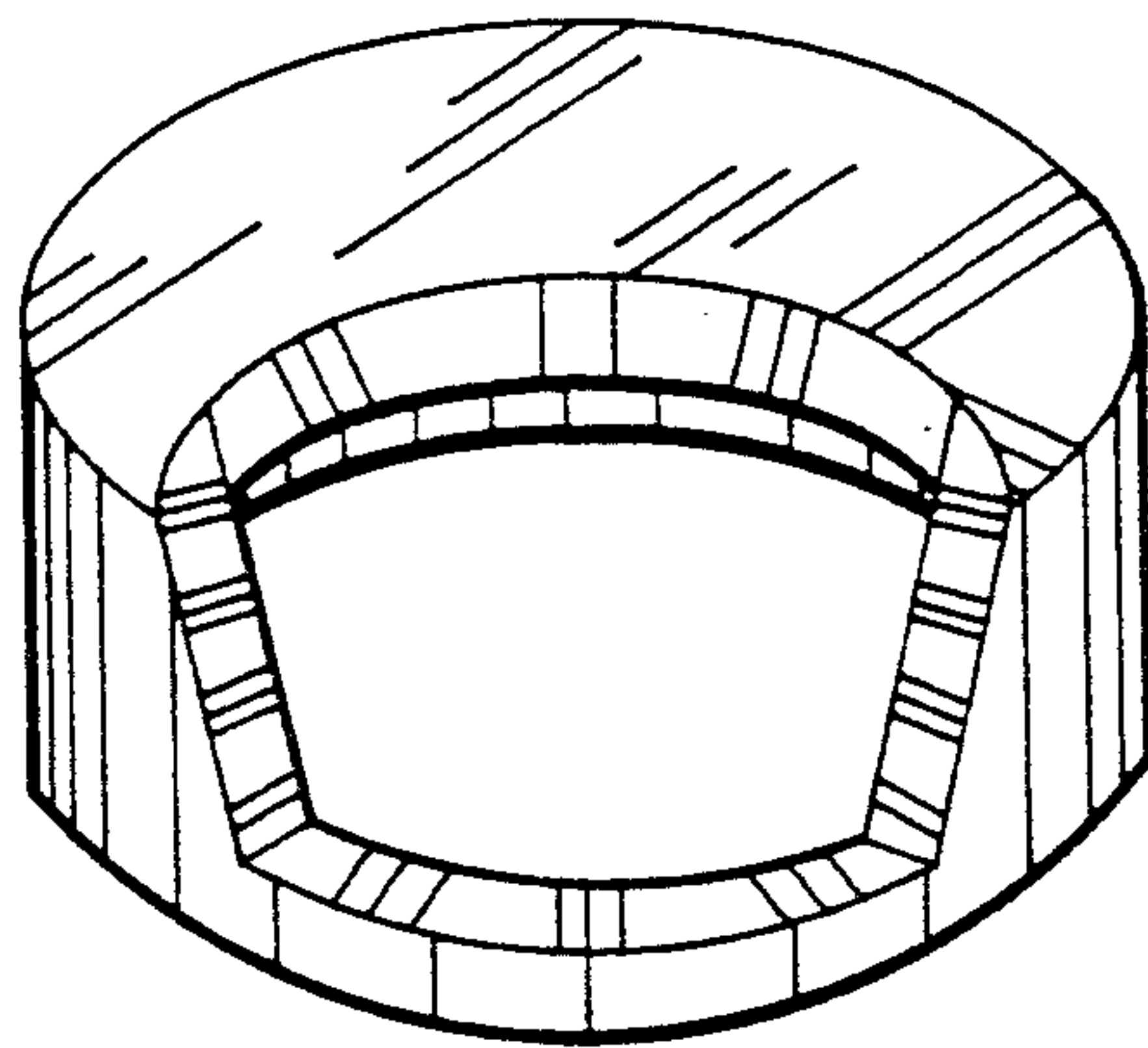
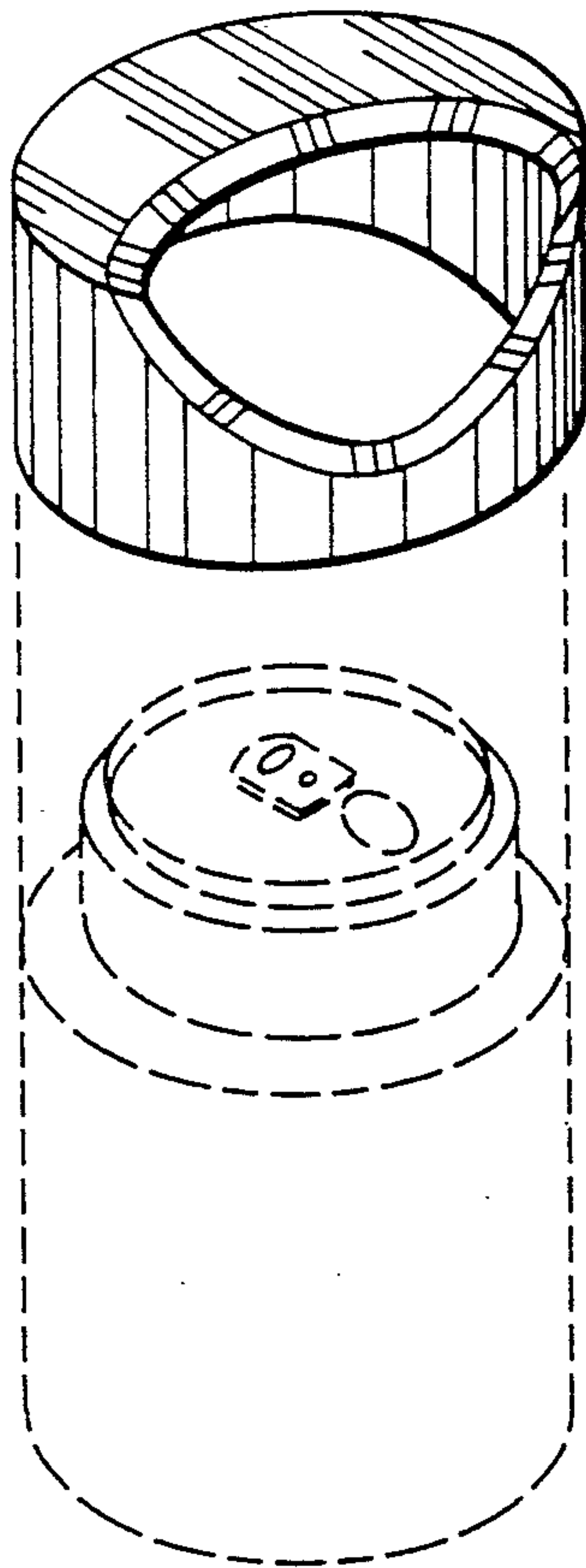


FIG. 1

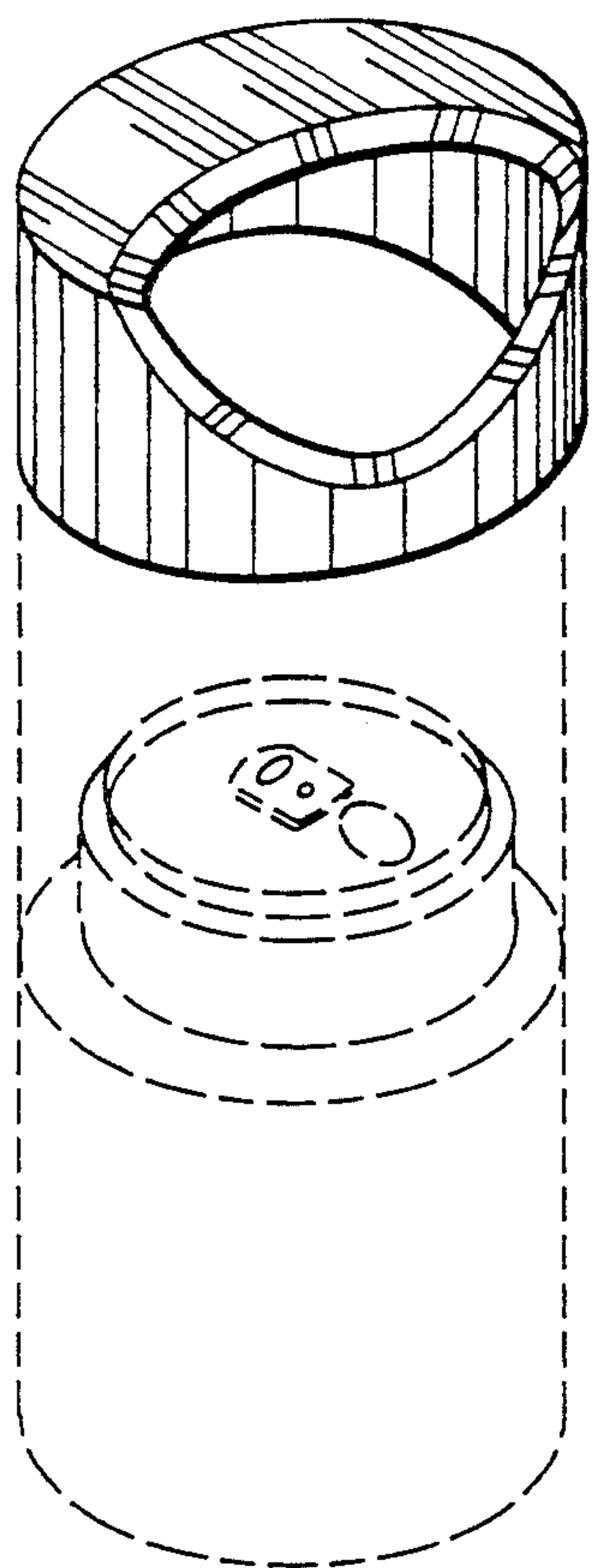


FIG. 2

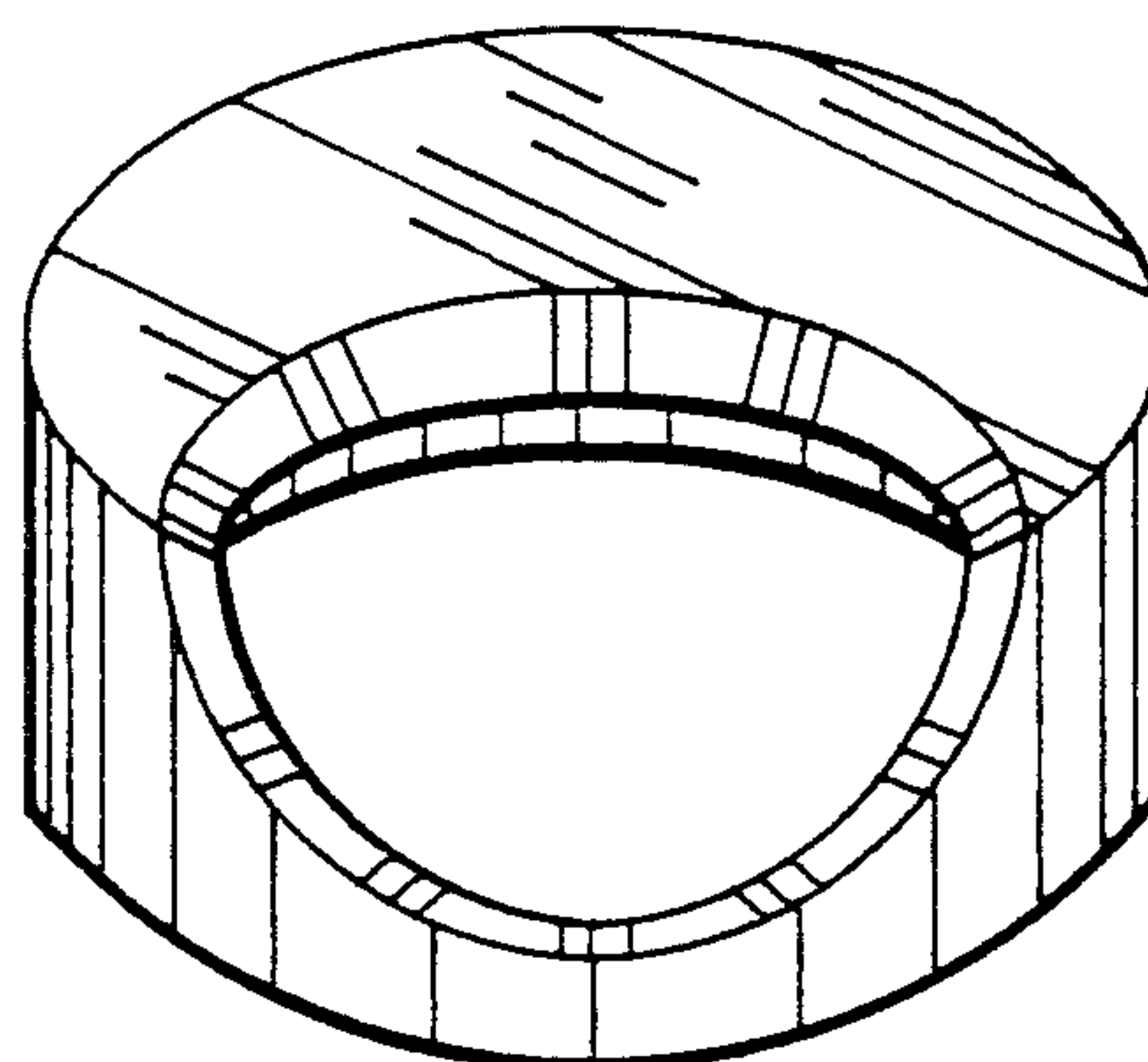


FIG. 3

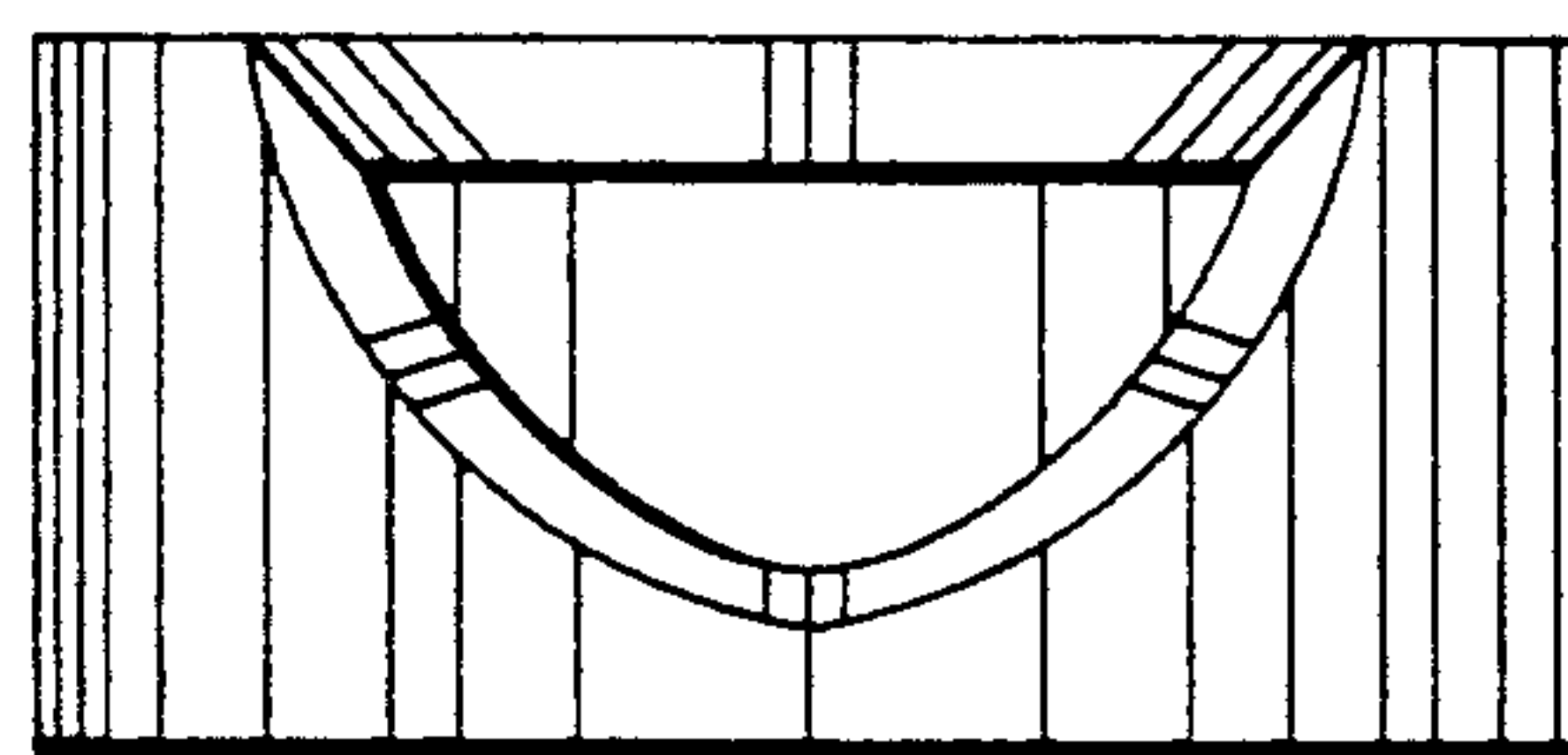


FIG. 4

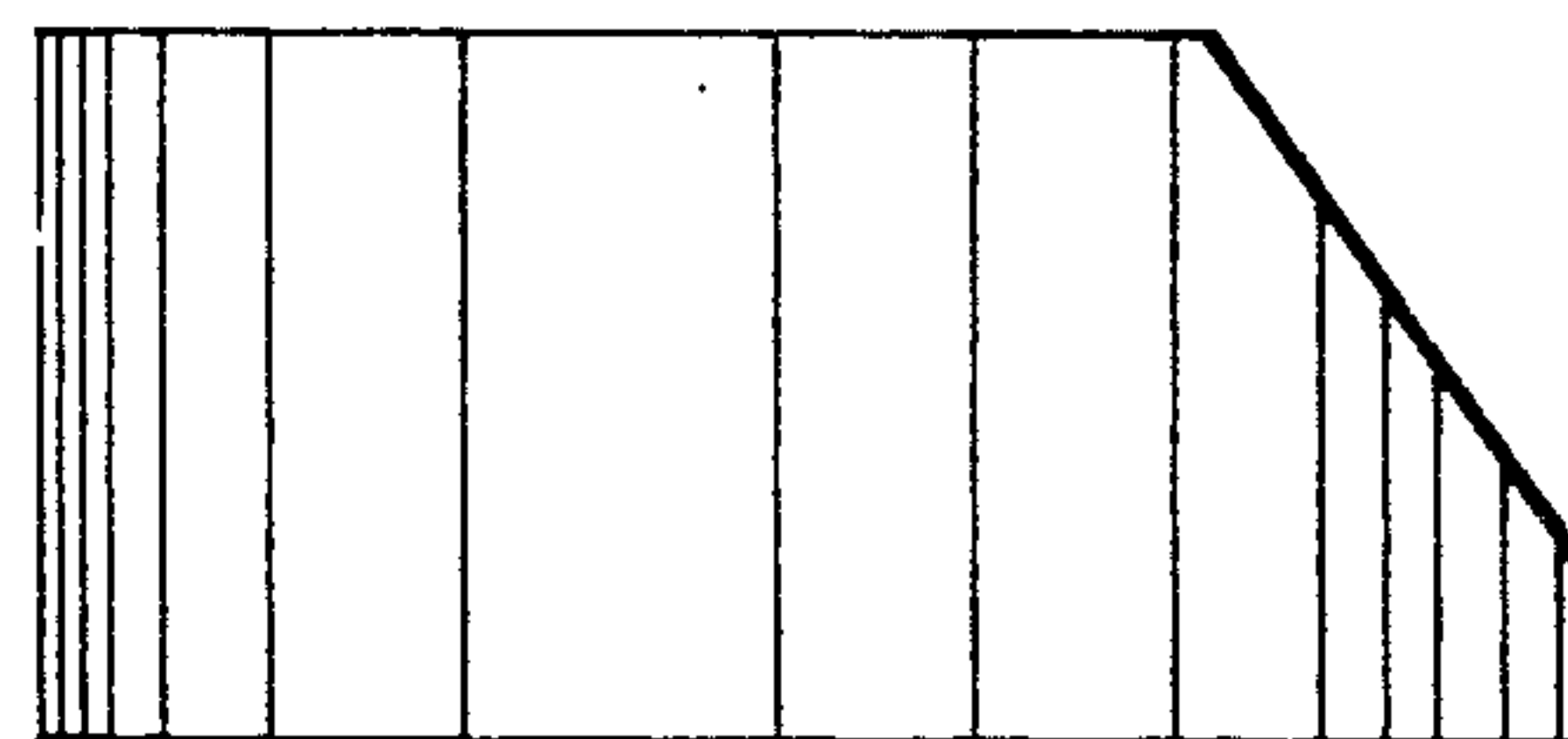


FIG. 5

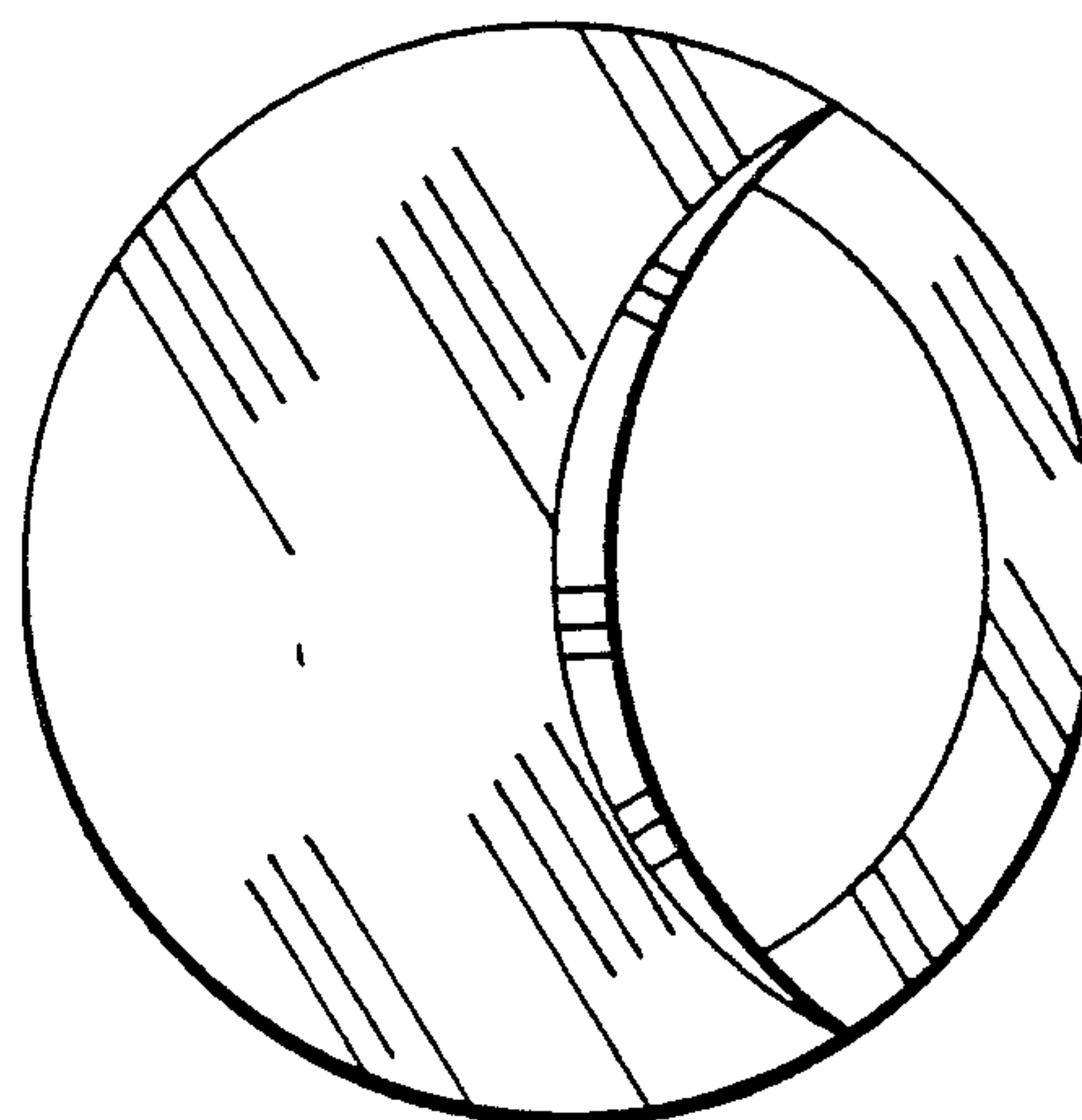


FIG. 6

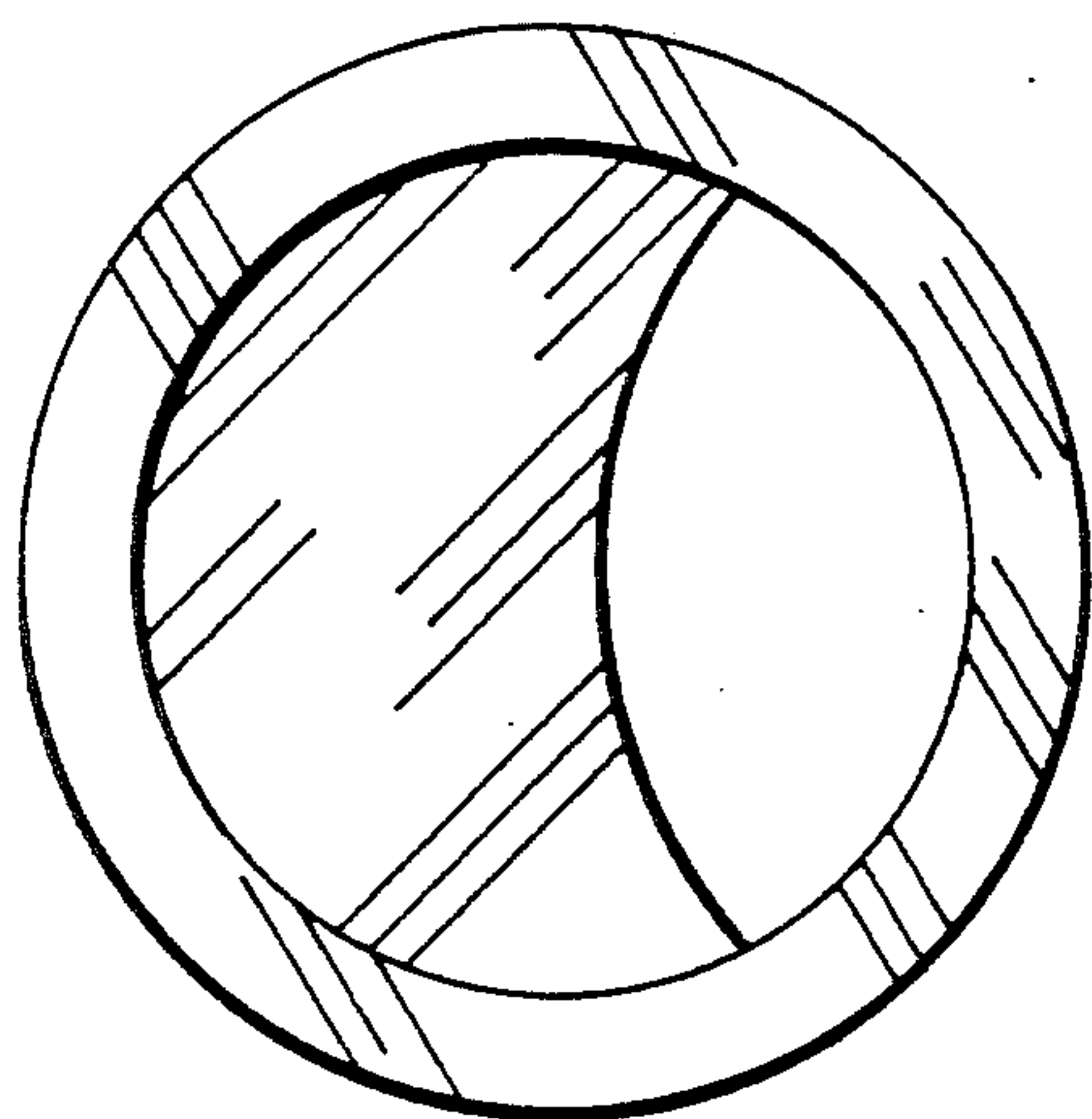


FIG. 7

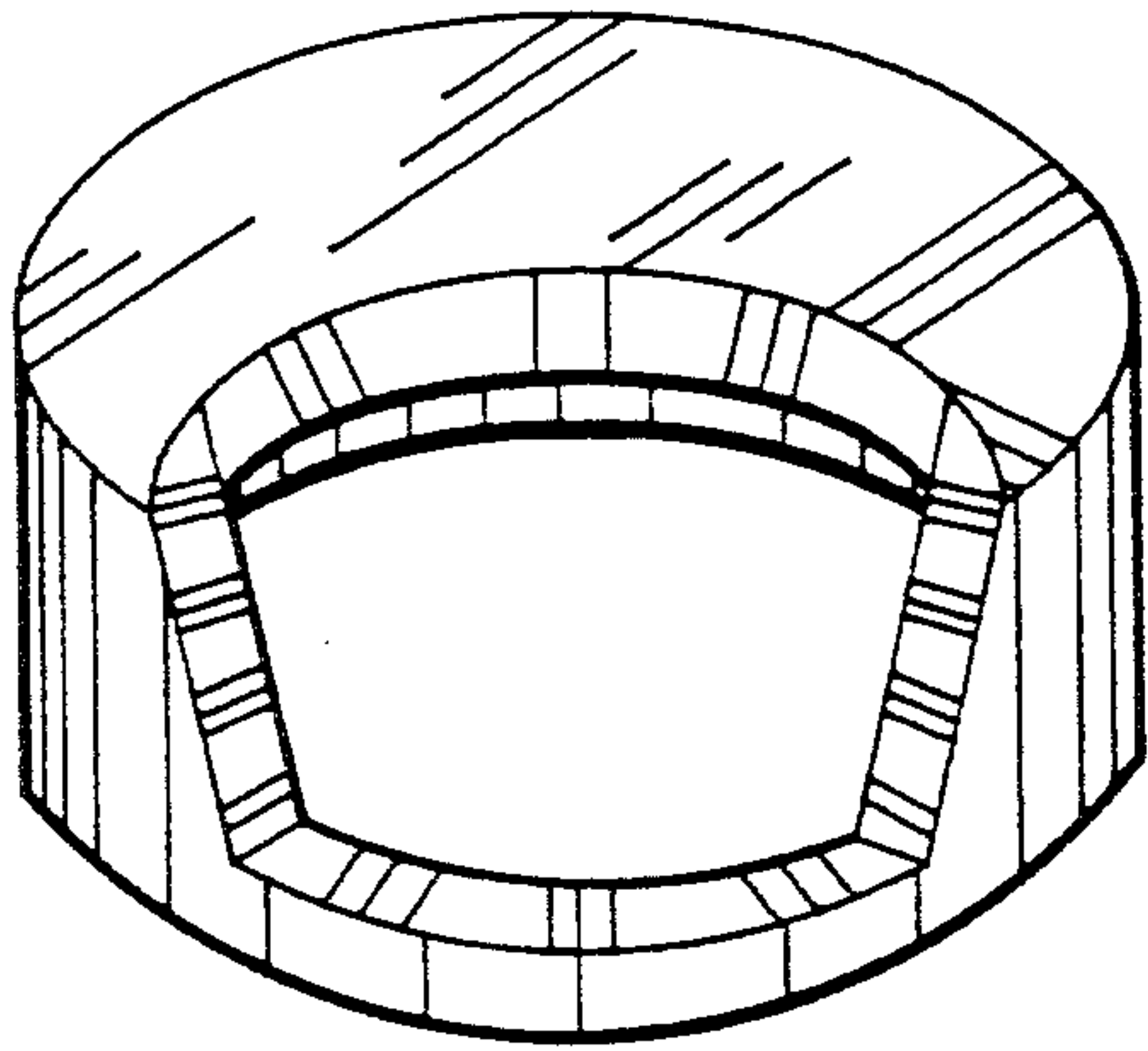


FIG. 8

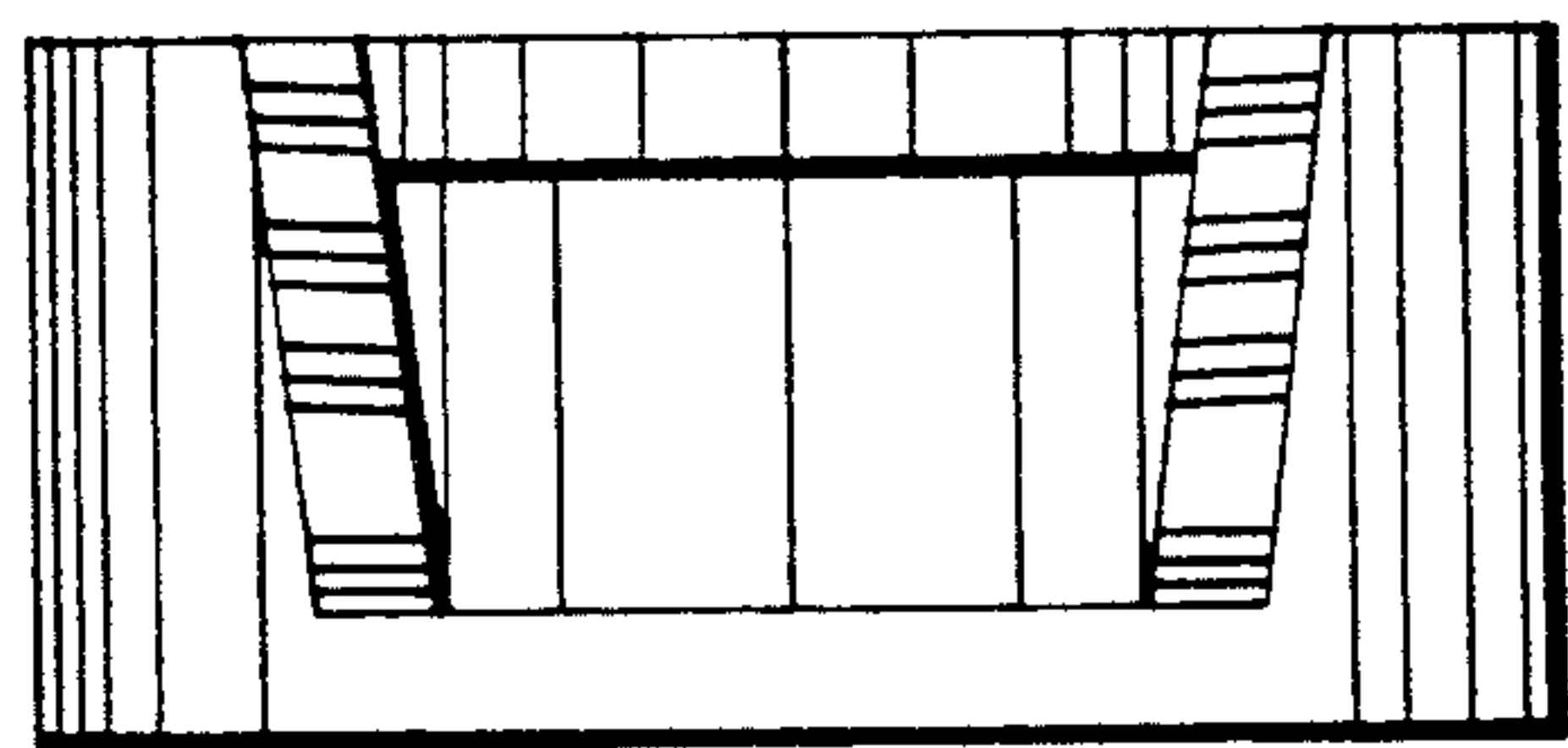


FIG. 9

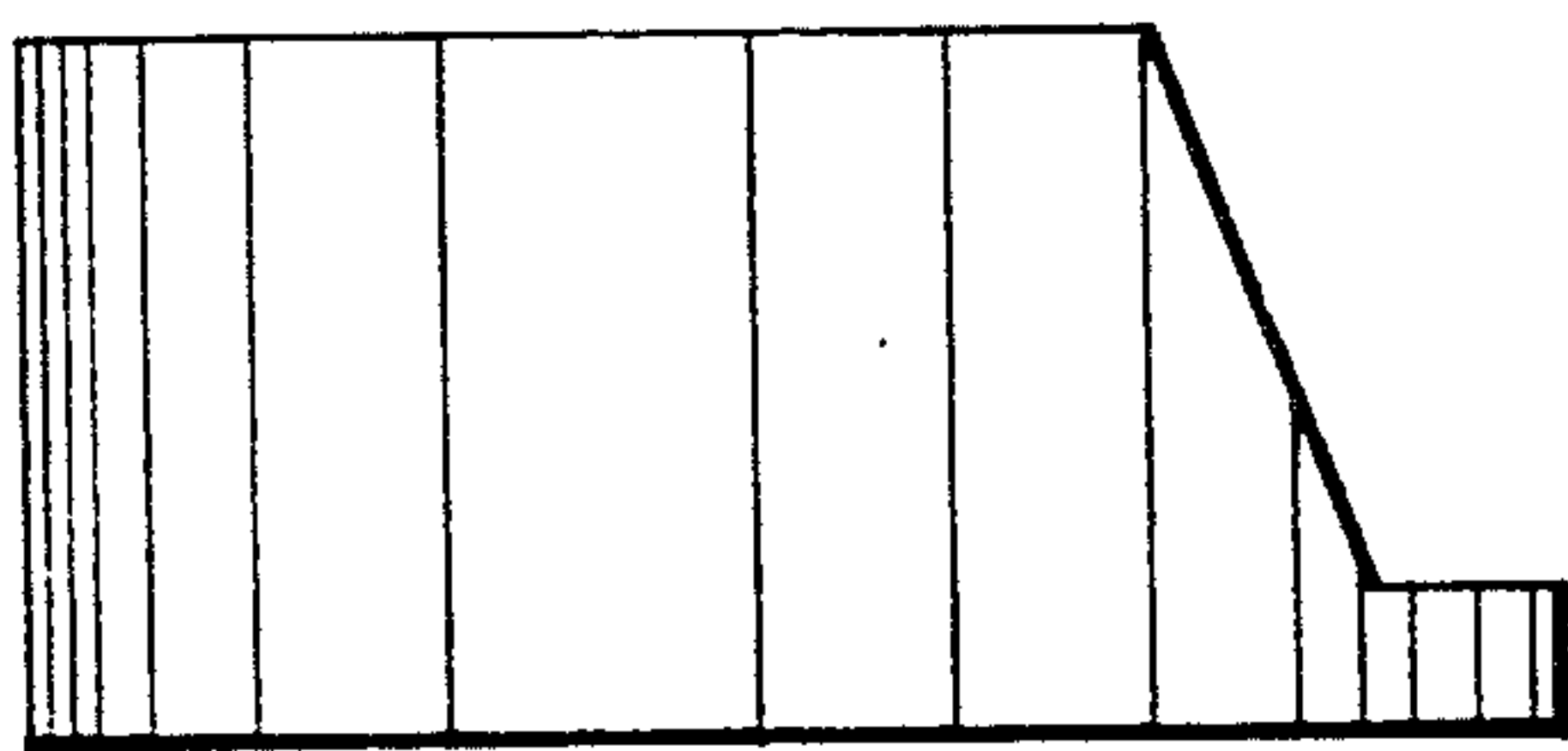


FIG. 10

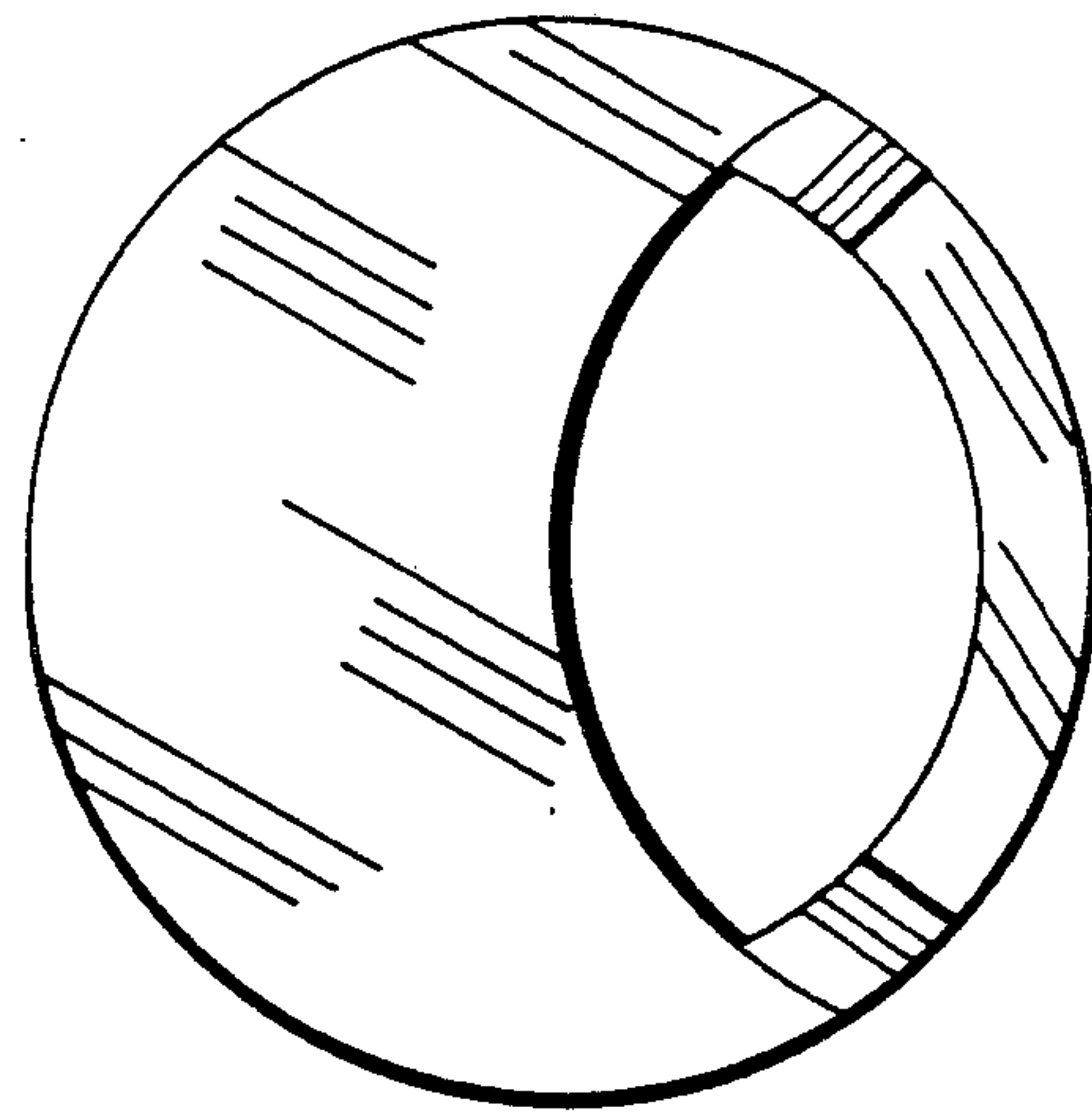


FIG. 11

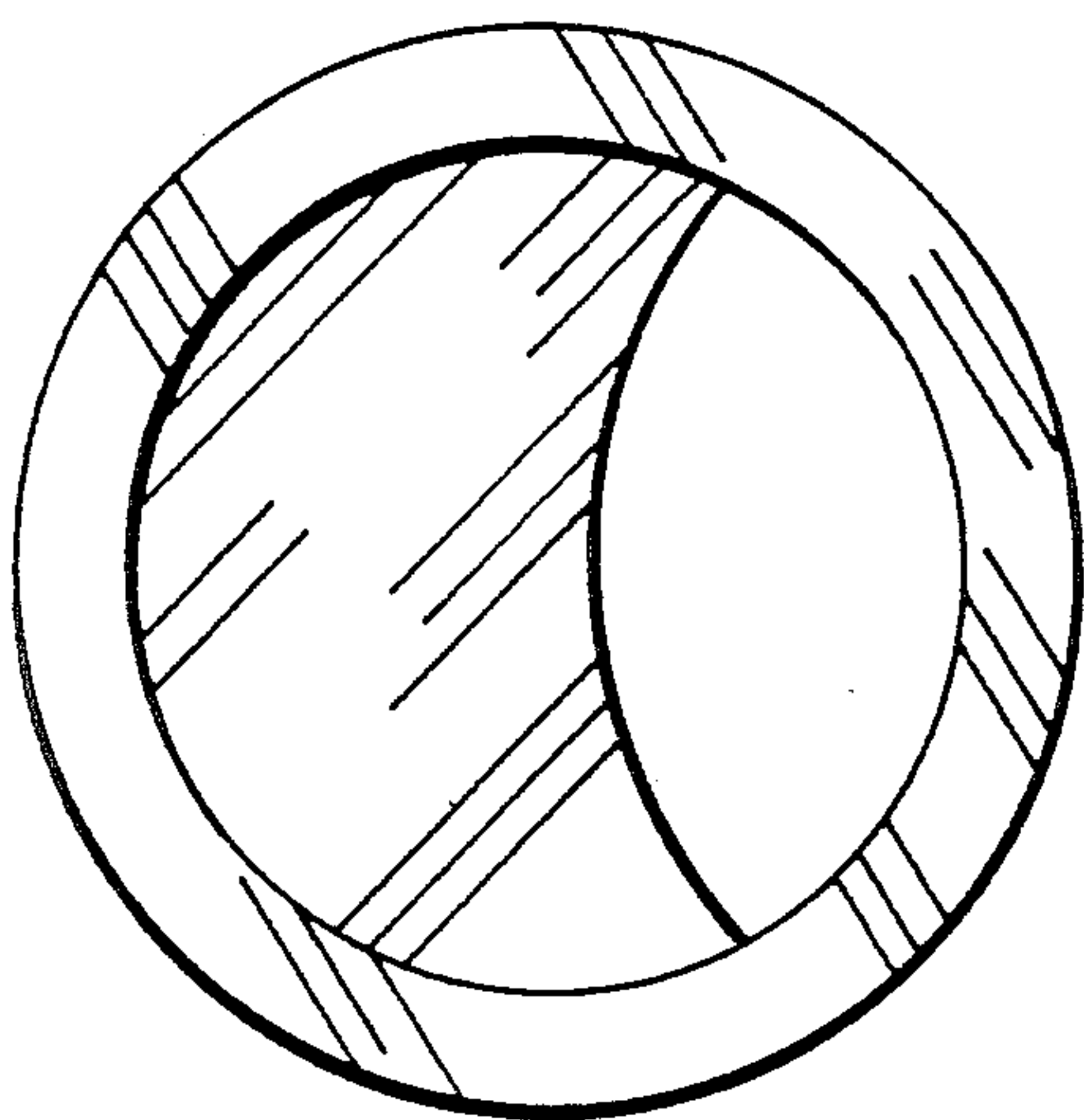


FIG.12

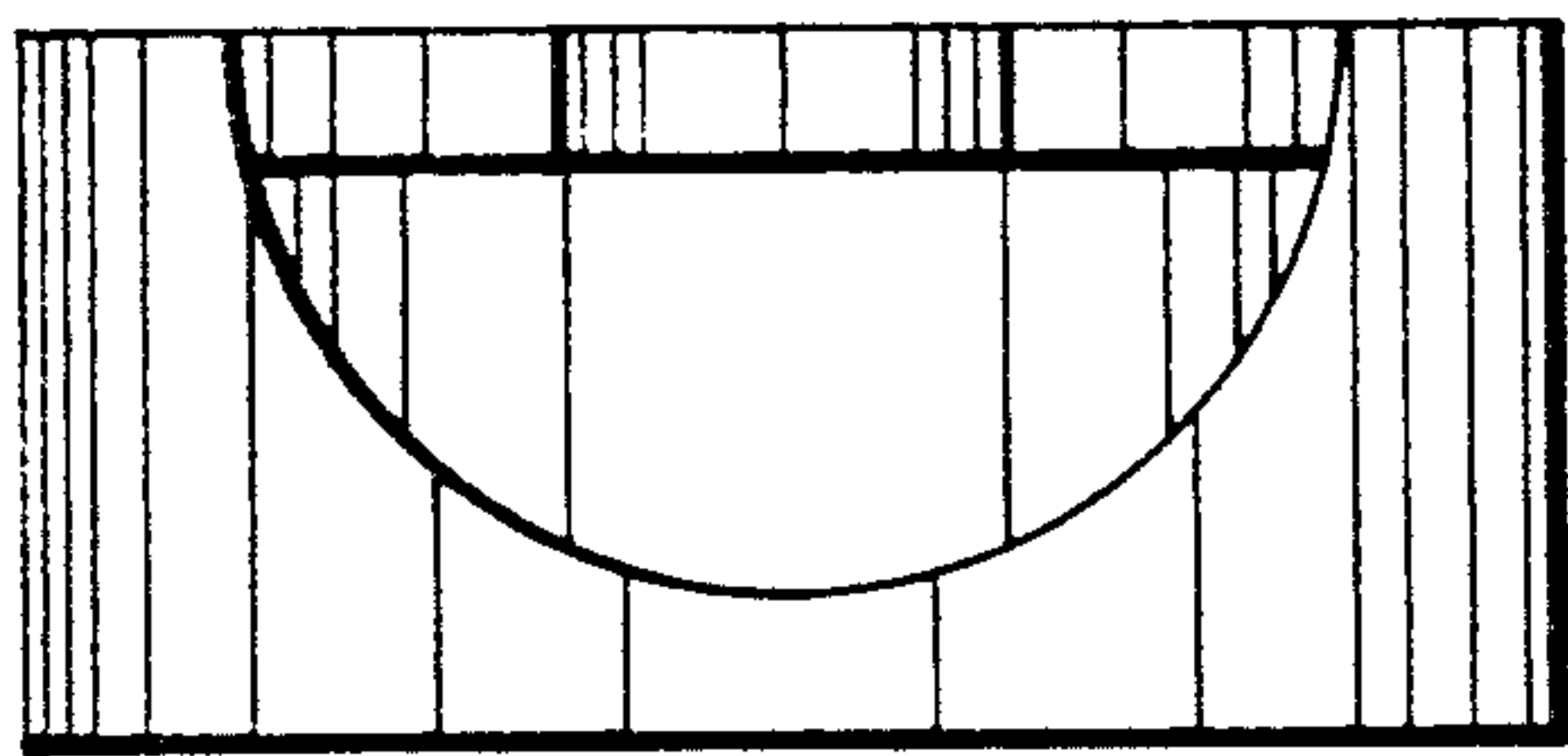
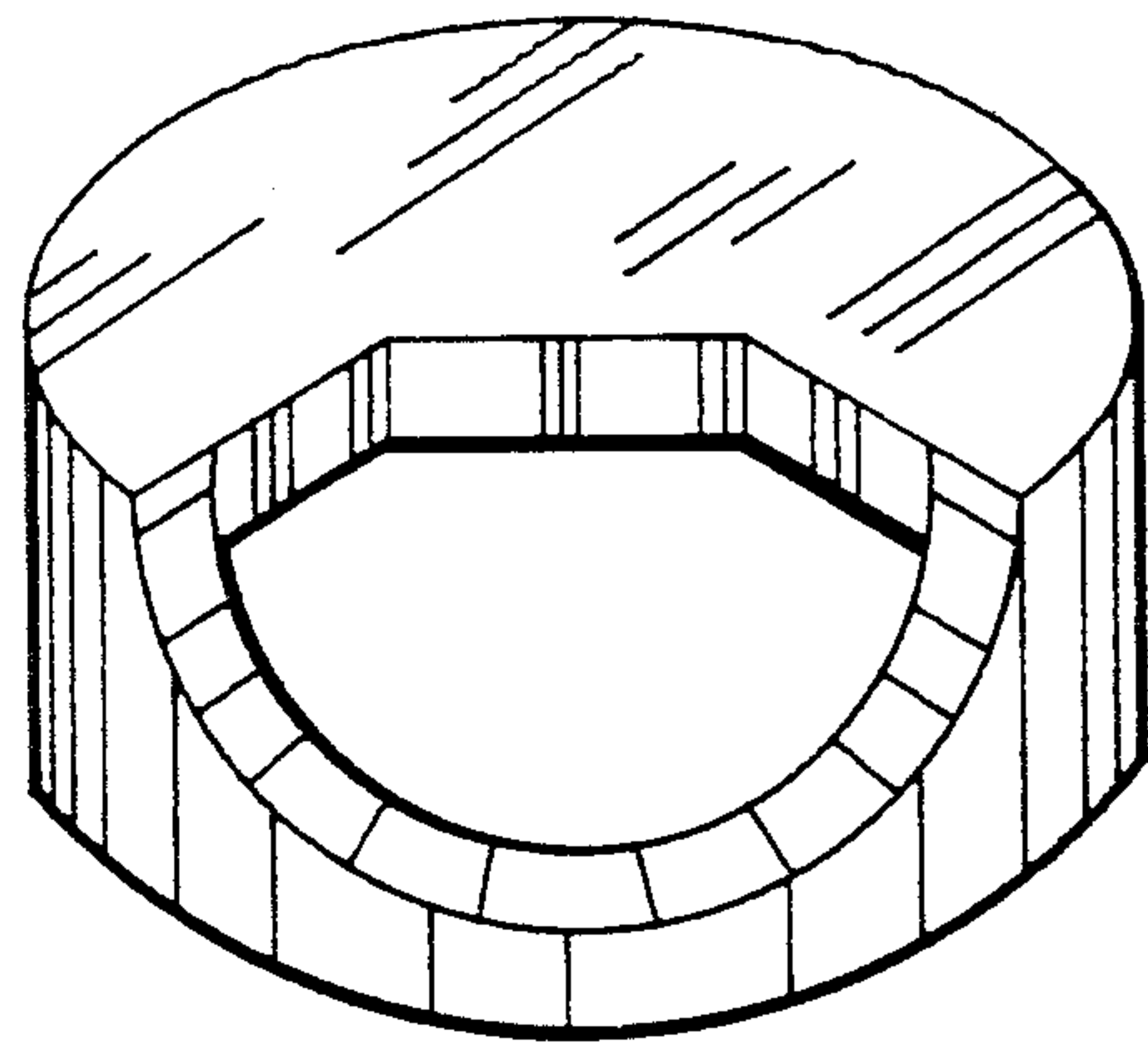


FIG.13

FIG.14

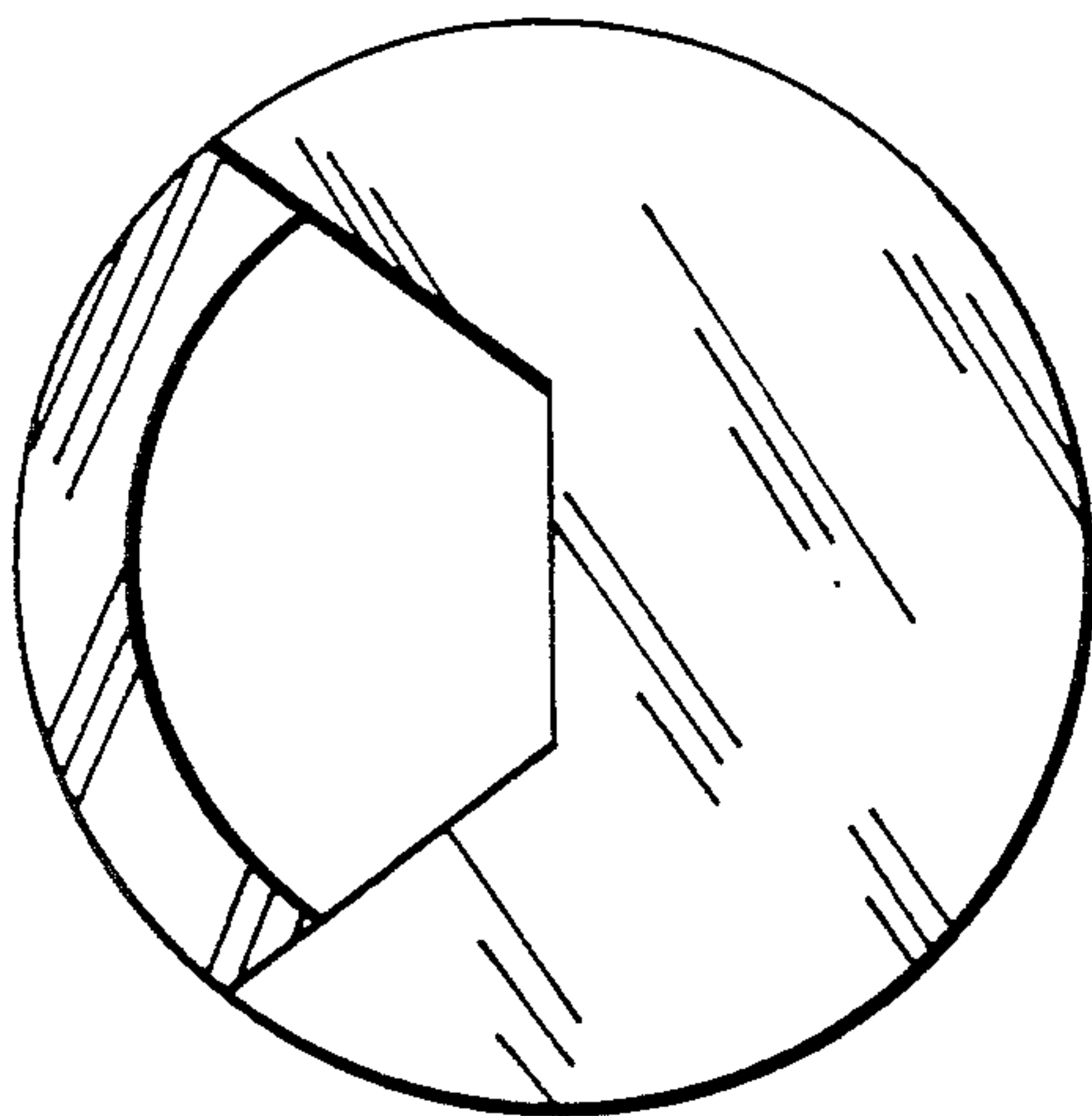
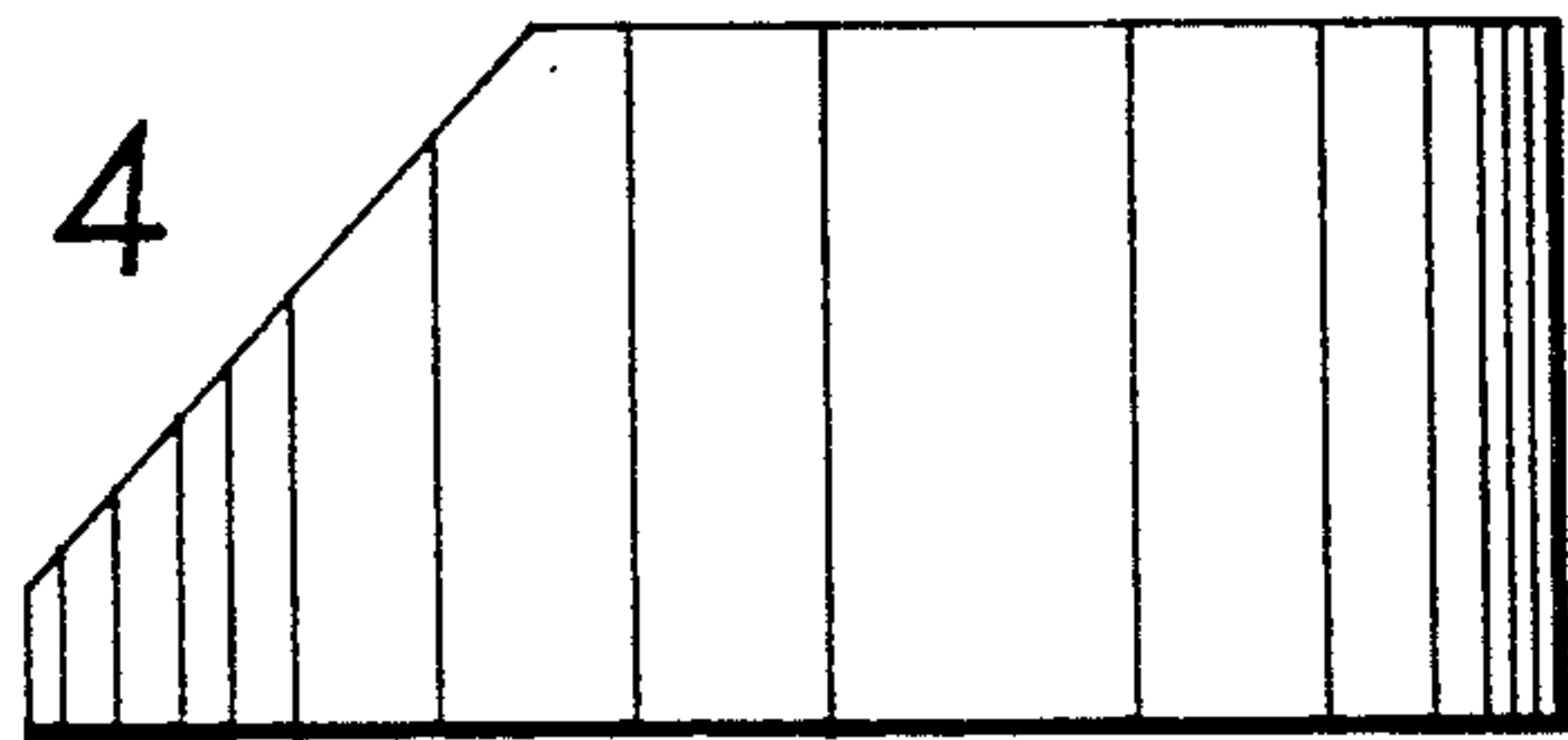


FIG.15

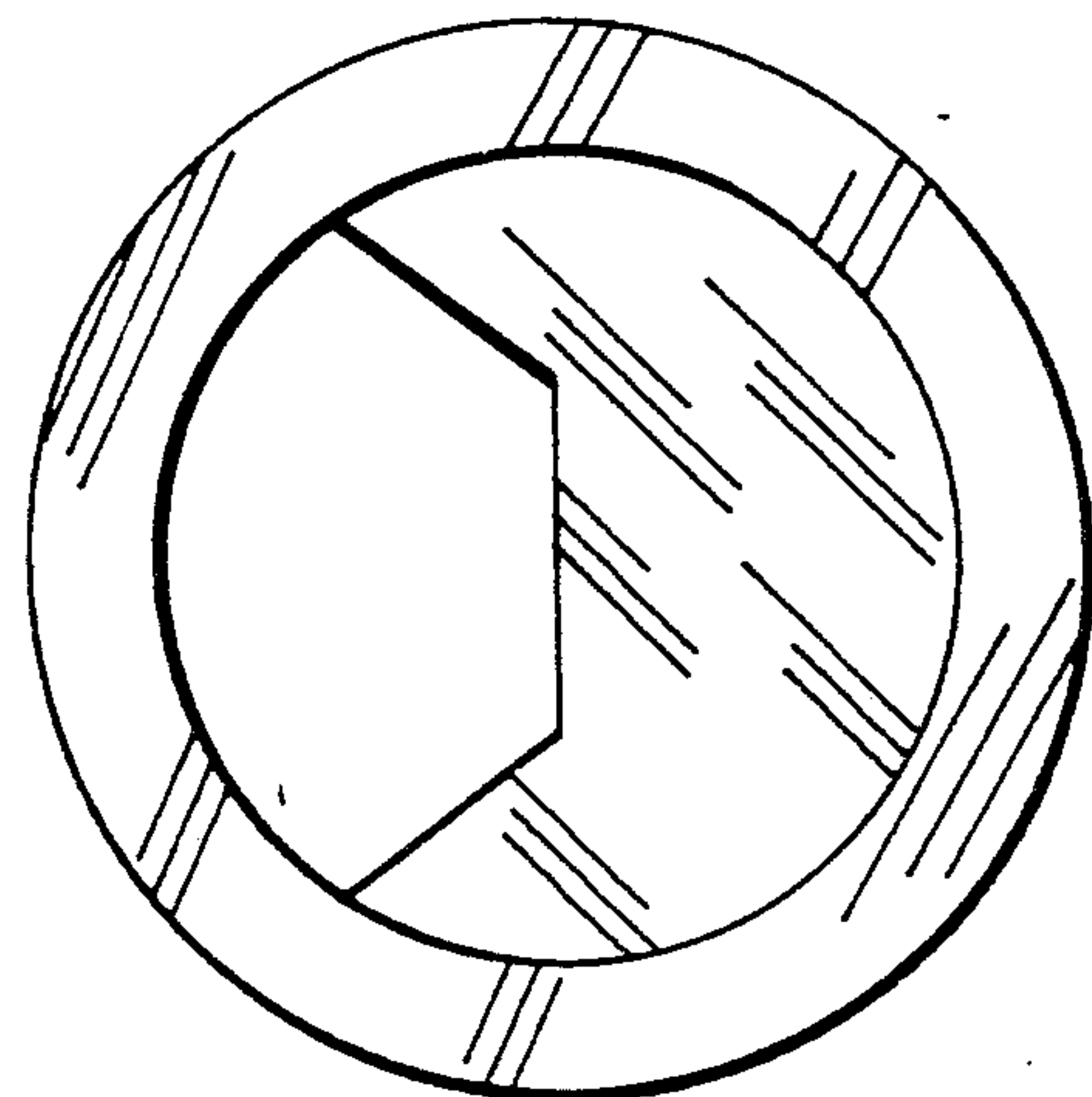


FIG.16