



US00D327427S

**United States Patent** [19]  
**McCooley**

[11] **Patent Number: Des. 327,427**  
[45] **Date of Patent: \*\* Jun. 30, 1992**

[54] **PACKAGE FOR WALLPAPER BORDER**  
[75] **Inventor: Michael J. McCooley, Hudson, Ohio**  
[73] **Assignee: Imperial Wallcoverings, Inc.,  
Cleveland, Ohio**  
[\*\*] **Term: 14 Years**  
[21] **Appl. No.: 617,053**  
[22] **Filed: Nov. 20, 1990**  
[52] **U.S. Cl. .... D9/415**  
[58] **Field of Search ..... D9/415, 457, 455, 303;  
D3/18, 20, 23, 26, 30.1; 206/388, 806, 49;  
242/127, 222, 170, 174, DIG. 2, 61, 68, 62,  
55.01**

2,271,346 1/1942 Rosenberger .  
2,706,041 4/1955 Tate .  
3,062,368 11/1962 Dunn ..... 244/222  
3,682,816 8/1972 Yovanovich ..... 242/222  
3,858,719 1/1975 Isaacs .  
3,863,837 2/1975 Spiegel et al. .... 206/806 X  
4,161,075 1/1979 Eubanks et al. .... 206/388 X  
4,219,140 8/1980 Simonoff .  
4,258,843 3/1981 Wymer ..... 206/49 X  
4,664,264 5/1987 Kirk .  
4,890,730 2/1990 Kovac .

**FOREIGN PATENT DOCUMENTS**

344776 11/1904 France .  
364690 6/1920 France .  
258294 4/1928 Italy .

[56] **References Cited**  
**U.S. PATENT DOCUMENTS**

D. 119,152 2/1940 Bender .  
D. 165,369 12/1951 Fortuna ..... D3/26  
210,577 12/1878 Taylor .  
D. 231,134 3/1894 DeLong .  
D. 233,083 10/1974 Rosa .  
250,430 12/1881 Bertsche ..... 206/388  
D. 250,996 2/1979 Glaser .  
D. 276,312 11/1984 Loof et al. .  
D. 299,621 1/1989 Kirk .  
912,602 2/1909 Nesbit .  
926,876 7/1909 Keel .  
999,514 8/1911 Mitchell ..... 242/67  
1,232,955 7/1917 Moody .  
1,314,681 10/1919 Albrecht .  
1,506,010 8/1924 Lapin .  
1,929,167 10/1933 Goldsmith .  
1,977,144 10/1934 Provence ..... 242/61 X  
2,230,559 2/1941 Cartier .

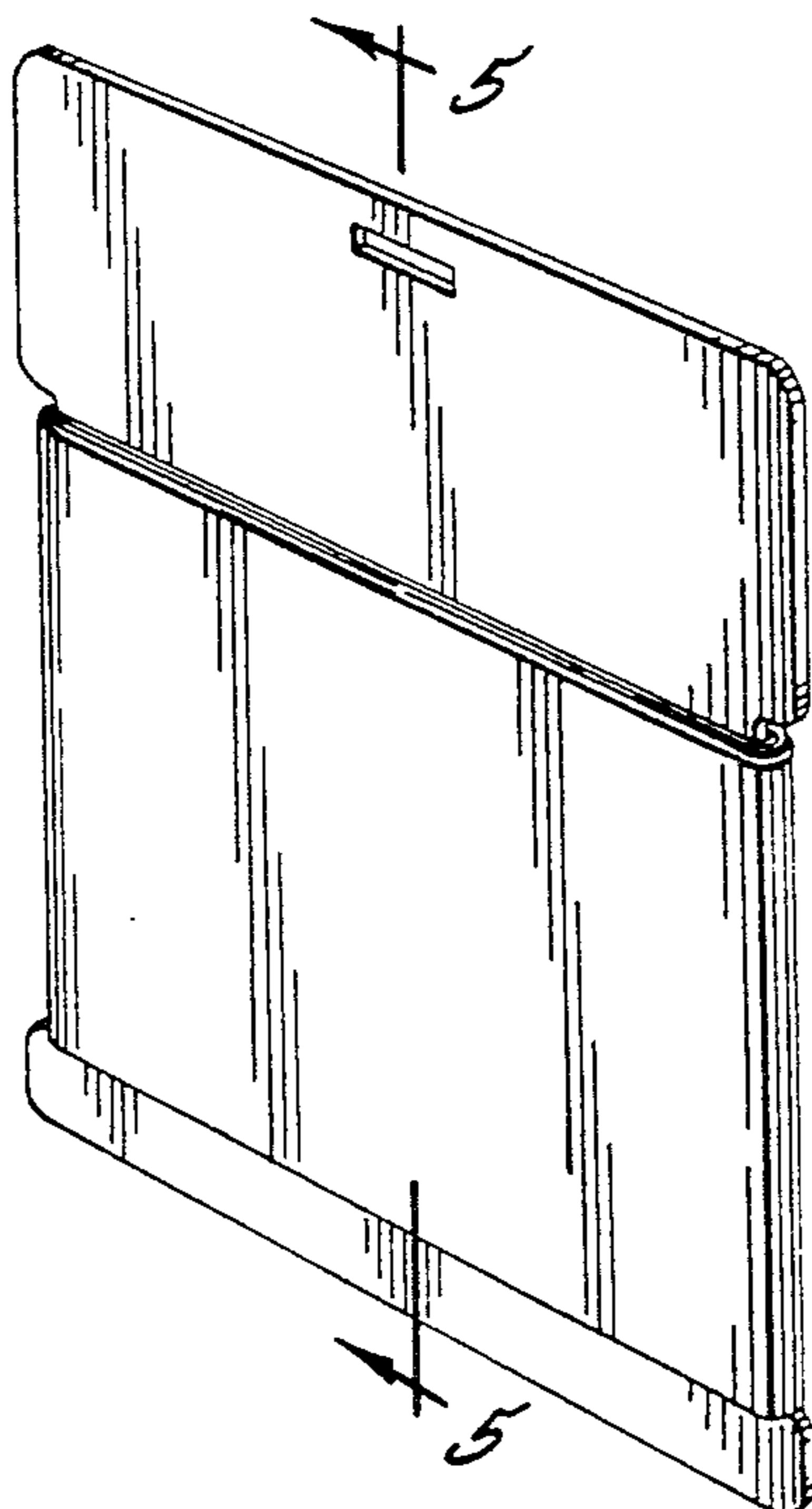
*Primary Examiner*—Bernard Ansher  
*Assistant Examiner*—Prabhakar Deshmukh  
*Attorney, Agent, or Firm*—Bell, Seltzer, Park & Gibson

[57] **CLAIM**

The ornamental design for a package for wallpaper border, as shown and described.

**DESCRIPTION**

FIG. 1 is a perspective view of a package for wallpaper border showing my new design;  
FIG. 2 is an enlarged scale front elevational view thereof; the rear elevational view being a mirror image thereof;  
FIG. 3 is a top plan view thereof; the bottom plan view being a mirror image thereof;  
FIG. 4 is a left side elevational view thereof; the right side elevational view being a mirror image thereof; and,  
FIG. 5 is a sectional view elevational view thereof; taken along line 5—5 of FIG. 1.



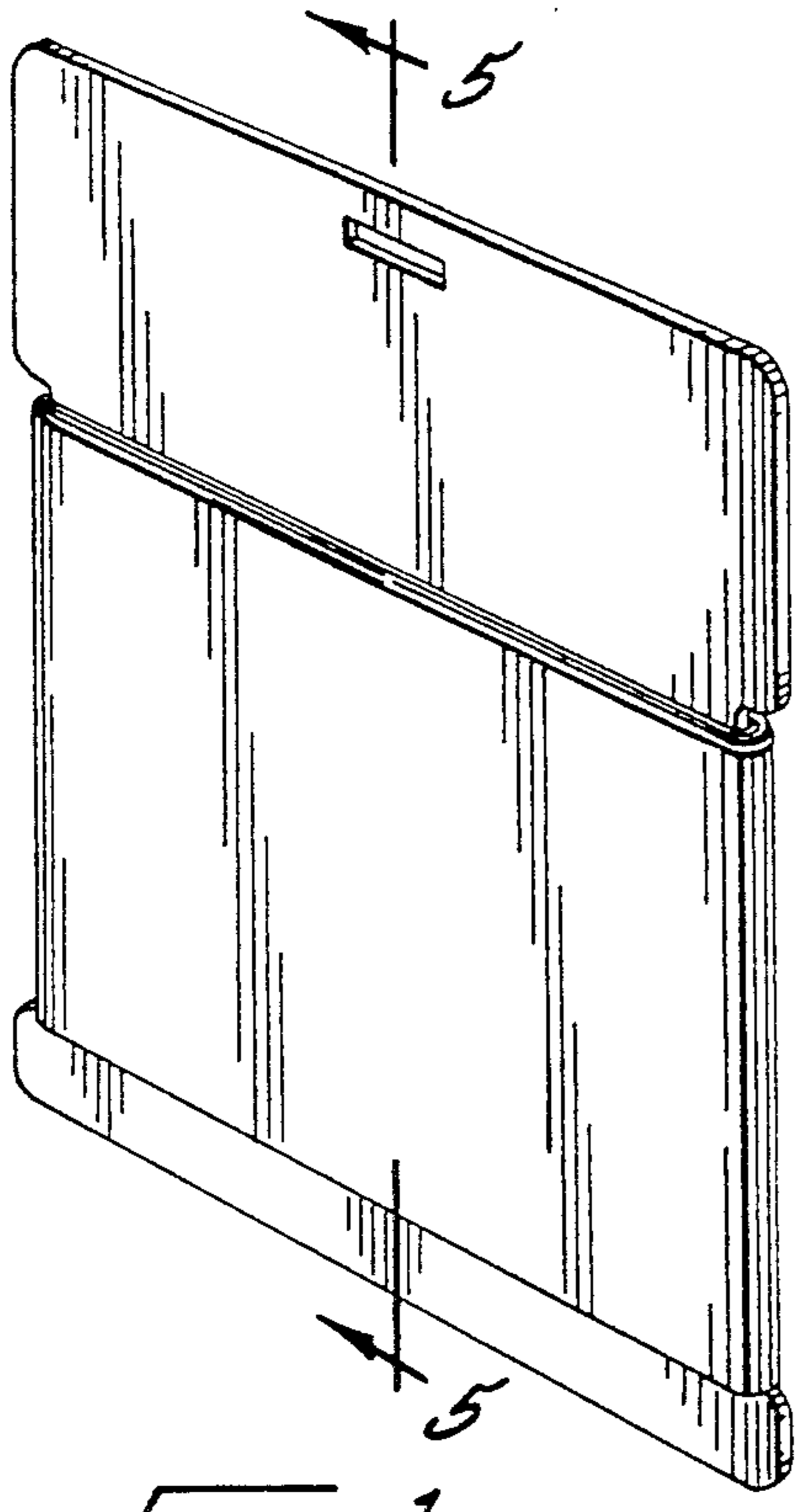


FIG. 1.

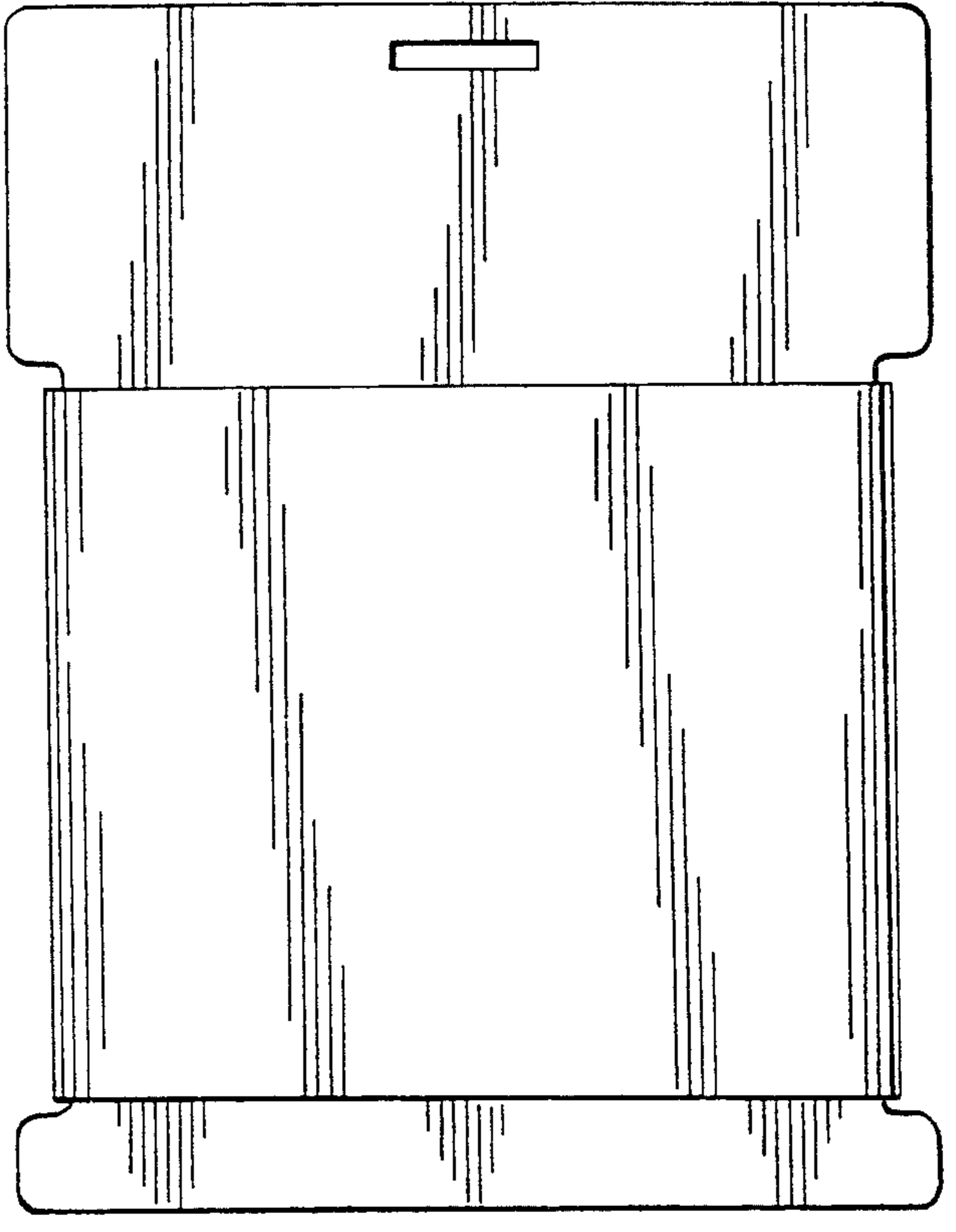


FIG. 2.



FIG. 3.

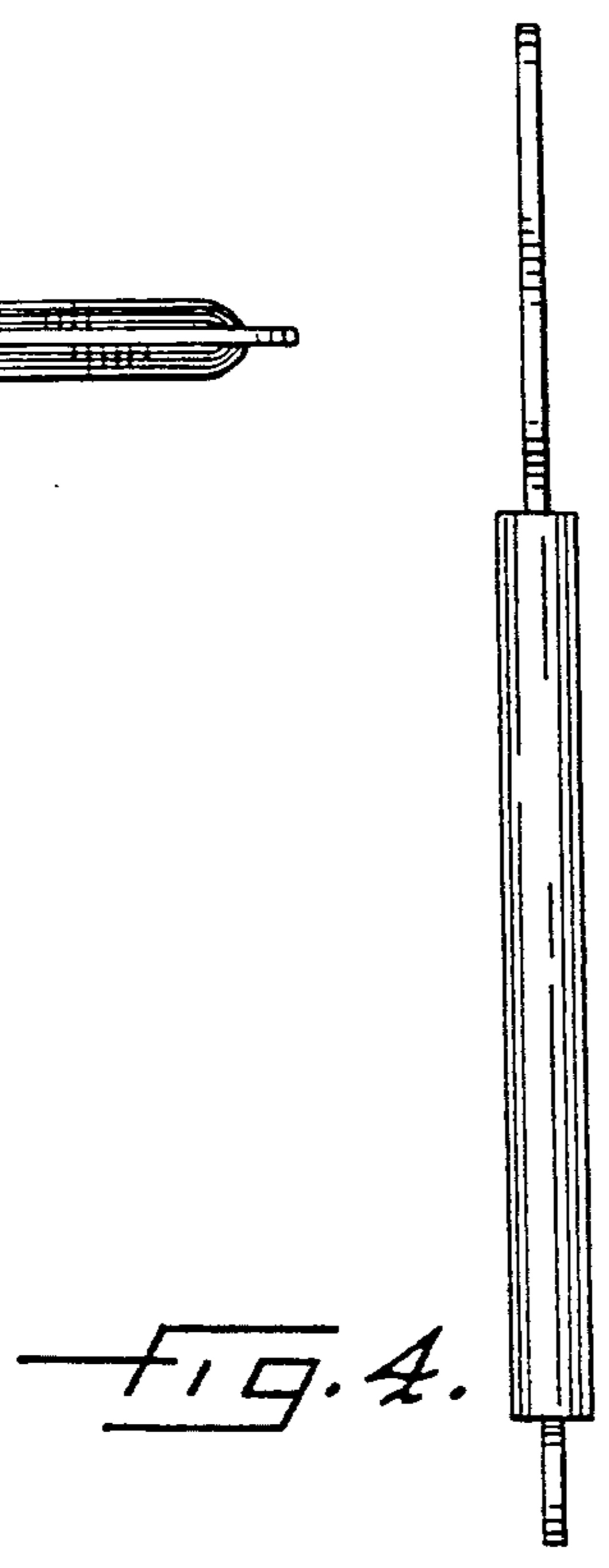


FIG. 4.

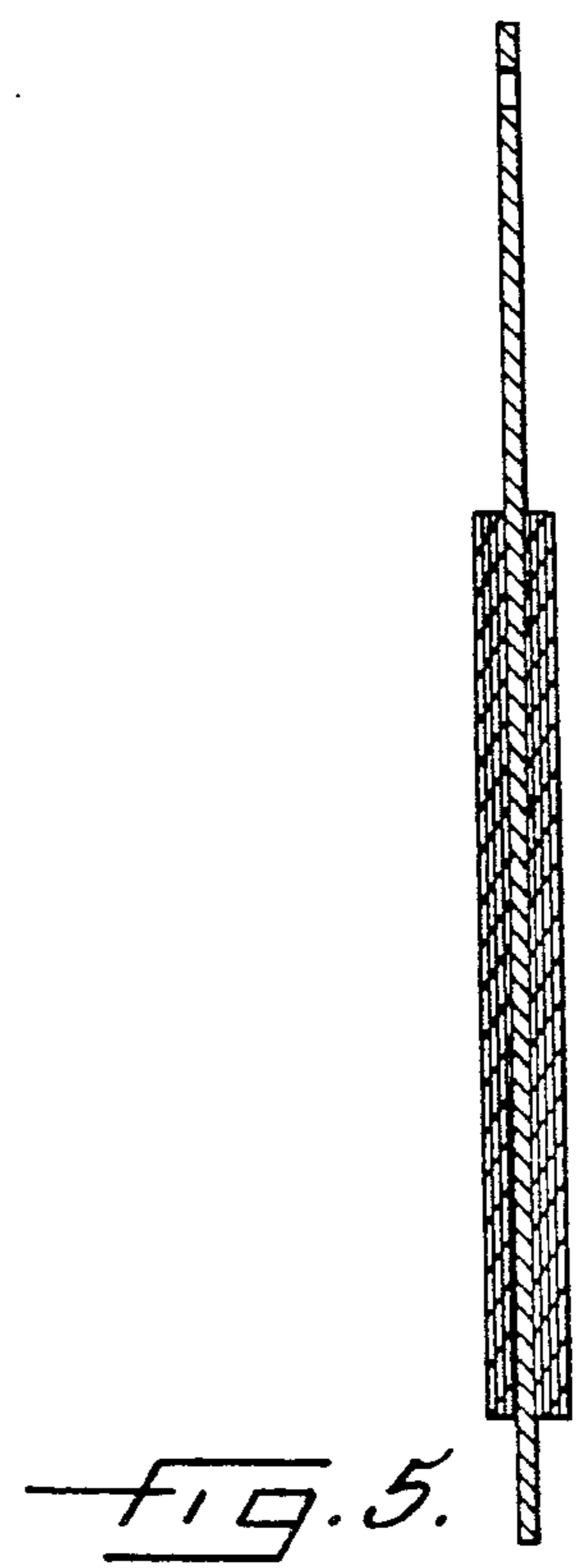


FIG. 5.