



US00D327421S

# United States Patent [19]

Pagan

[11] Patent Number: **Des. 327,421**

[45] Date of Patent: **\*\* Jun. 30, 1992**

[54] **END CAP FOR SUPPORT ROD**

[75] Inventor: **Marlene Pagan, Brookhaven, Pa.**

[73] Assignee: **Zenith Products Corporation, Aston, Pa.**

[\*\*] Term: **14 Years**

[21] Appl. No.: **737,533**

[22] Filed: **Jul. 30, 1991**

D, 297,887 10/1988 Hattersley ..... D3/7

D. 303,887 10/1989 Reid ..... D8/376

2,744,283 5/1956 Reineman ..... 248/188.9

2,865,133 12/1958 Hoven et al. .... 248/188.9

### FOREIGN PATENT DOCUMENTS

29513 3/1931 Australia ..... 248/188.9

730393 5/1932 France ..... 258/188.9

4073 of 1888 United Kingdom ..... 248/188.9

*Primary Examiner*—Horace B. Fay, Jr.  
*Attorney, Agent, or Firm*—Panitch, Schwarze, Jacobs & Nadel

### Related U.S. Application Data

[62] Division of Ser. No. 659,126, Feb. 22, 1991.

[52] U.S. Cl. .... **D8/376; 248/188.9**

[58] Field of Search ..... **D8/376, 373; 248/188.9; D3/7, 5**

### [57] CLAIM

The ornamental design for an end cap for a support rod, as shown and described.

### References Cited

#### U.S. PATENT DOCUMENTS

D. 45,772 5/1914 Sunseri ..... D8/376

D. 69,926 4/1926 Weinberg ..... D3/5

D. 207,584 5/1967 Johnson et al. .... D8/376

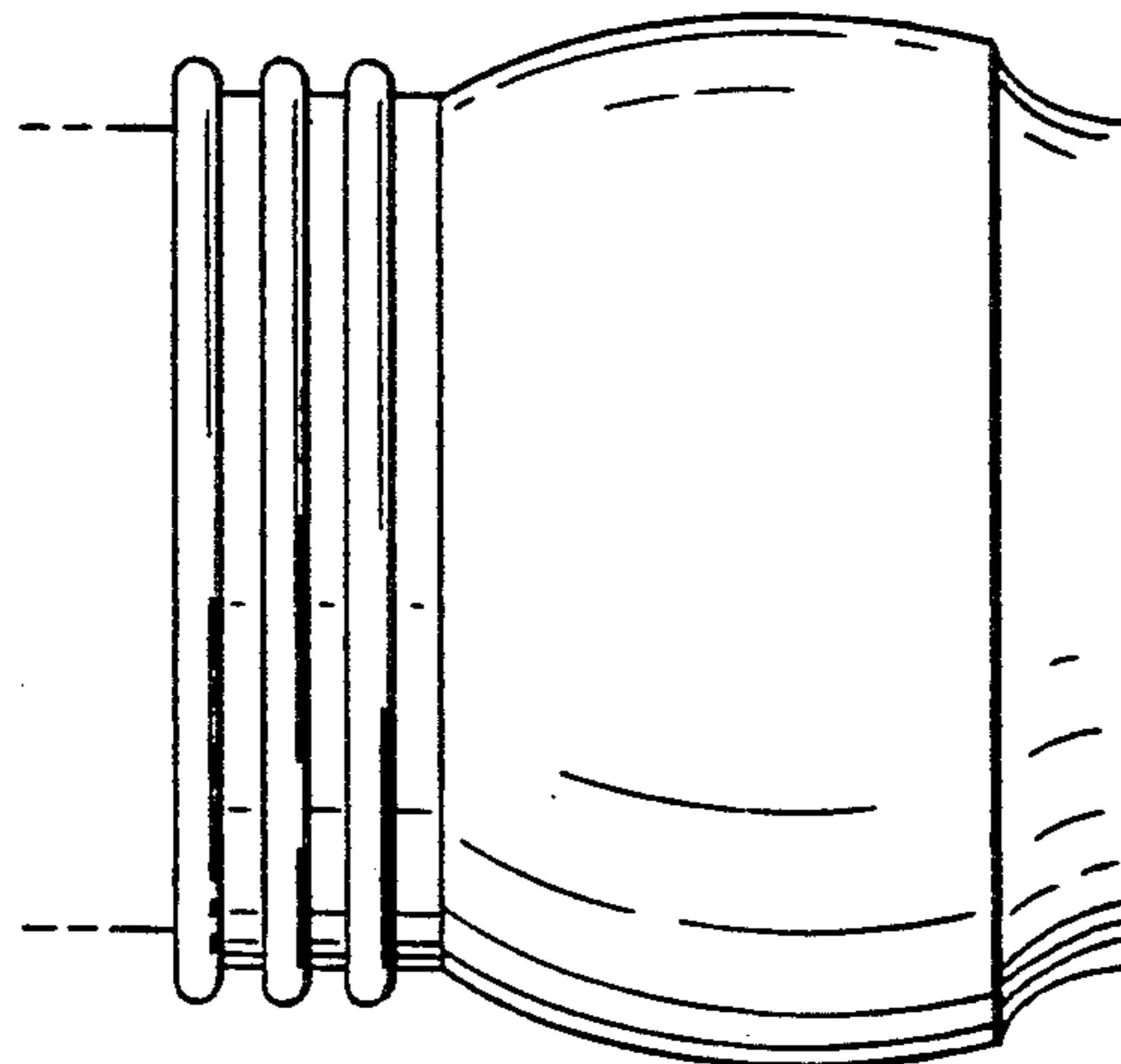
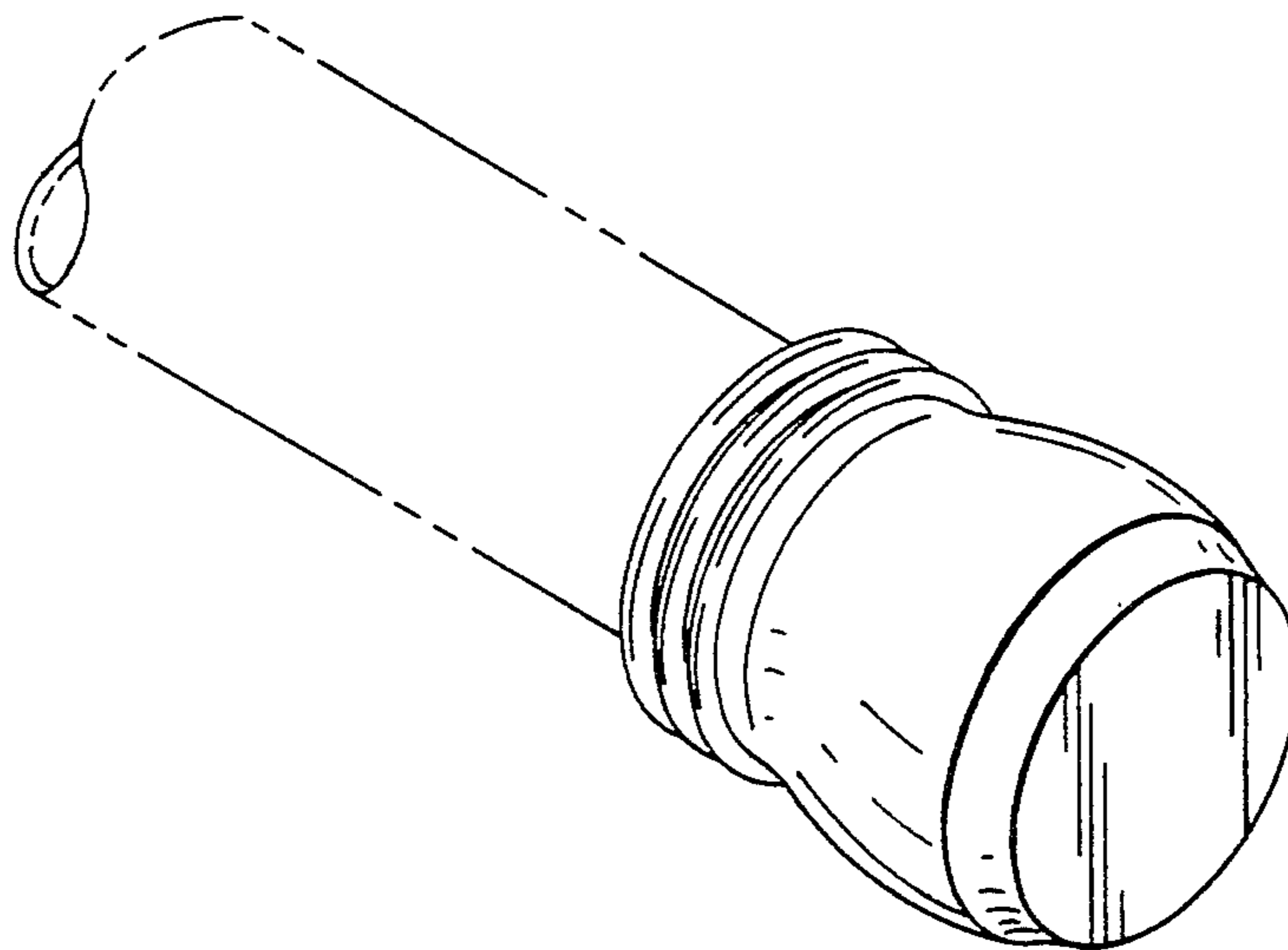
### DESCRIPTION

FIG. 1 is a perspective view of the end cap for support rod showing my new design;

FIG. 2 is a side elevational view thereof;

FIG. 3 is an outside end elevational view thereof; and,

FIG. 4 is an inside end elevational view thereof.



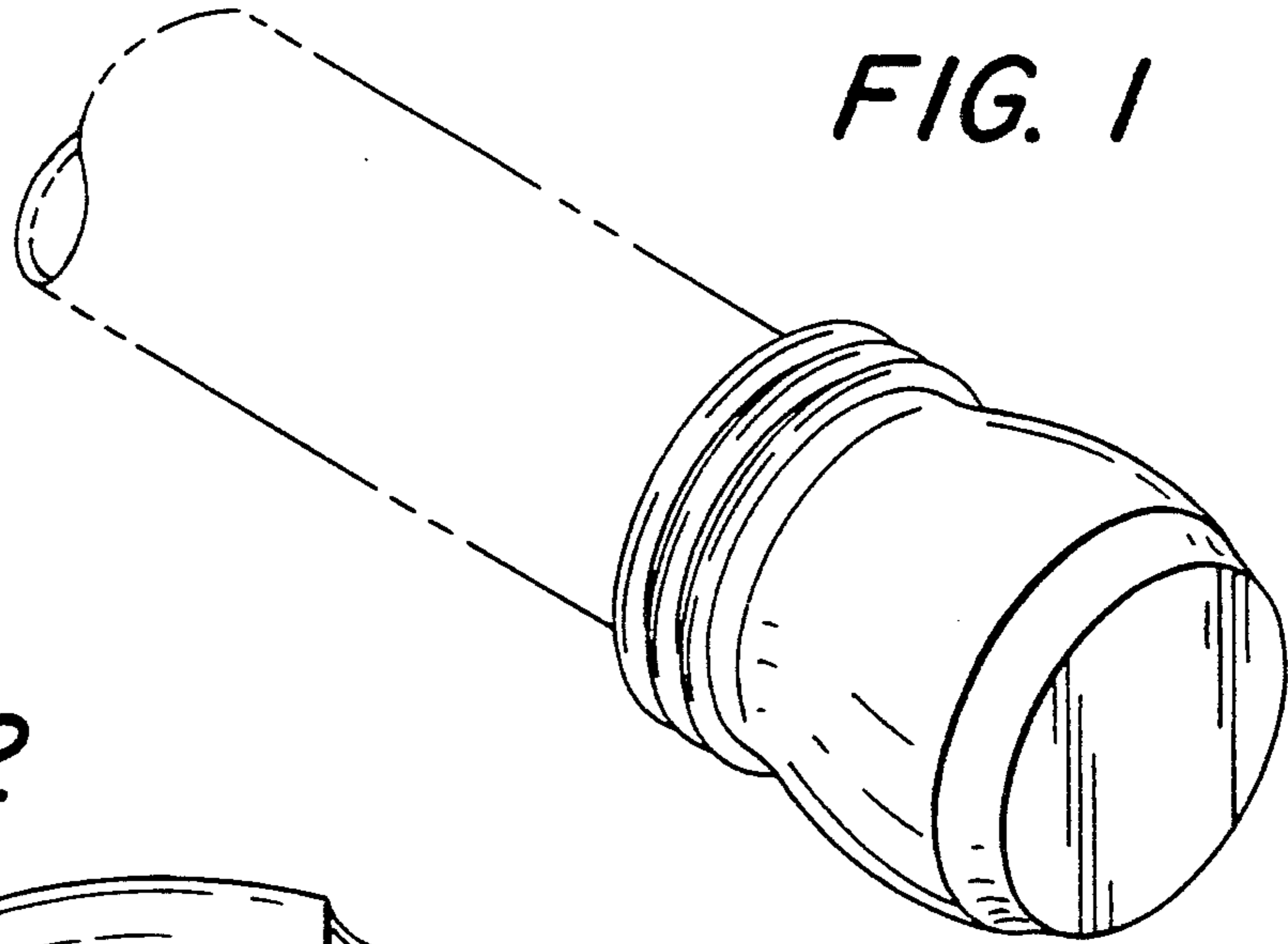


FIG. 2

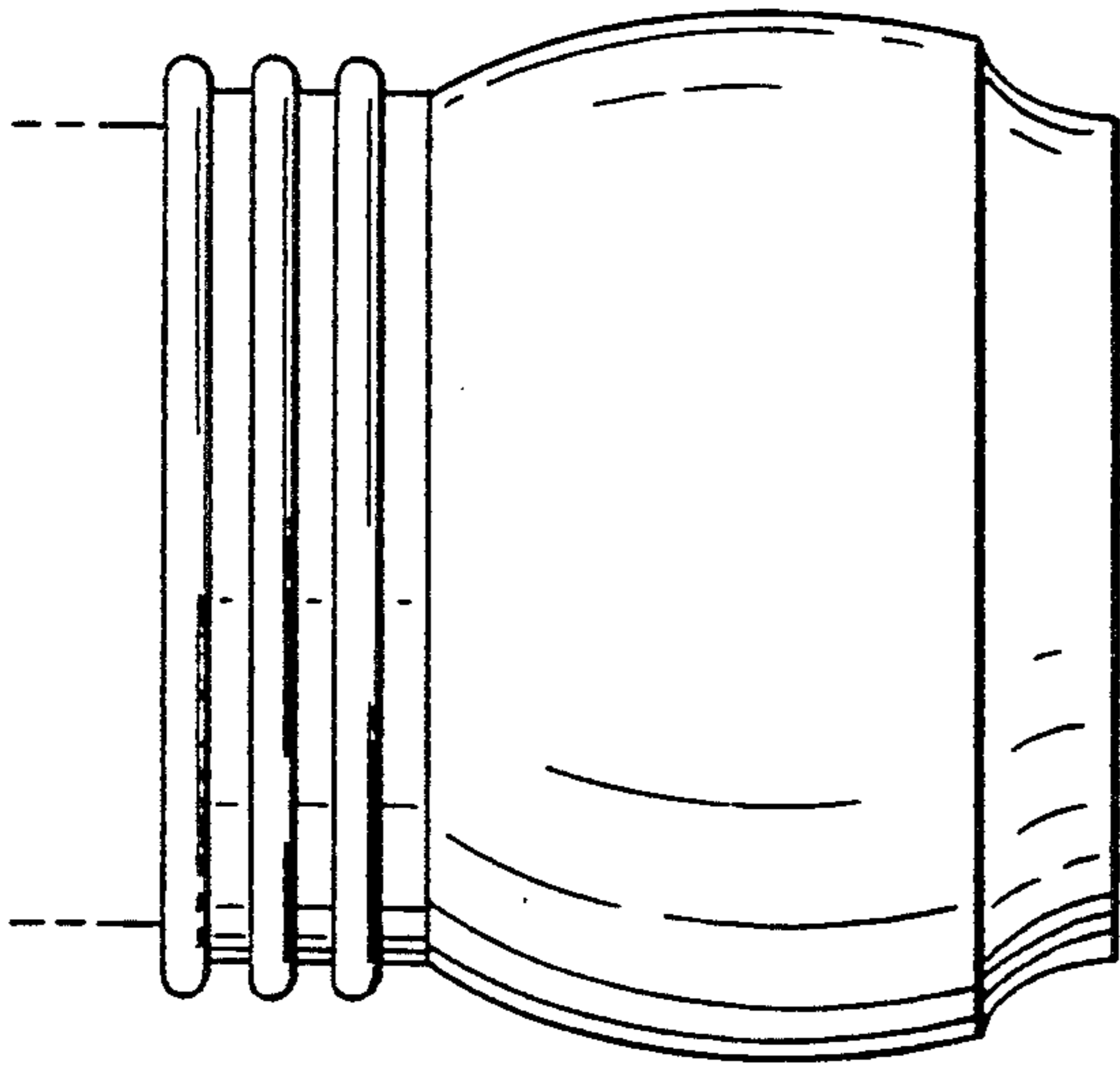


FIG. 3

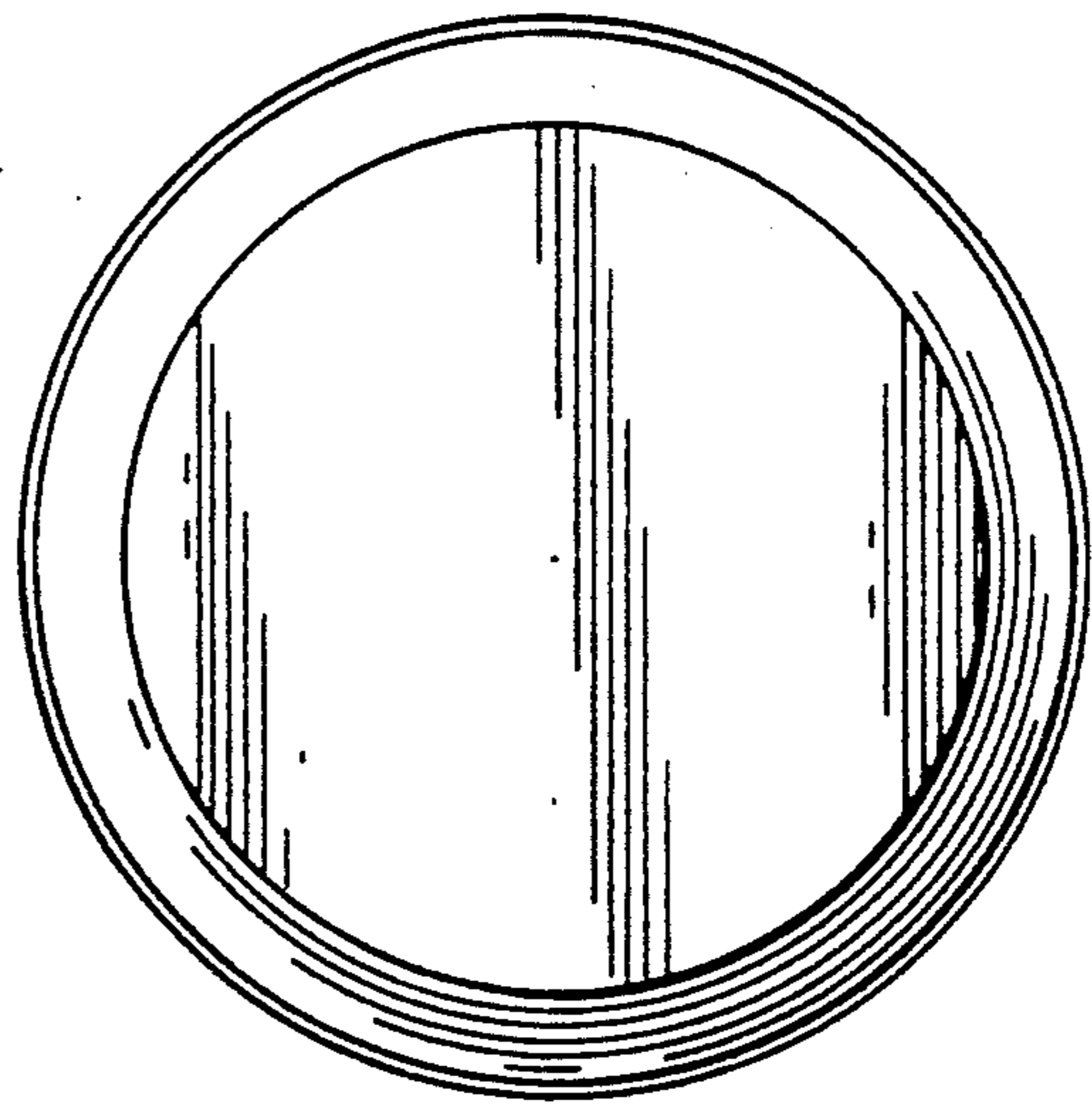


FIG. 4

