



US00D327411S

United States Patent [19]

[11] Patent Number: **Des. 327,411**

Donalies et al.

[45] Date of Patent: **** Jun. 30, 1992**

[54] **STARTER LOCK FOR JET SKIS**

[76] Inventors: **Richard W. Donalies**, 1545 Newcastle La., Hoffman Estates, Ill. 60194;
James C. Sima, 32165 Burlwood Dr., Solon, Ohio 44139

4,693,096 9/1987 Mercer 70/58 X
4,777,809 10/1988 Wiggins 70/57
4,799,370 1/1989 Cooper 70/57 X

Primary Examiner—Brian N. Vinson
Attorney, Agent, or Firm—Arnold, White & Durkee

[**] Term: **14 Years**

[57] **CLAIM**

[21] Appl. No.: **592,066**

The ornamental design for a starter lock for jet skis, as shown and described.

[22] Filed: **Oct. 3, 1990**

[52] U.S. Cl. **D8/346**

[58] Field of Search **D8/330-346;**
70/57-58, 14, 242-243, 245, 252; 292/289

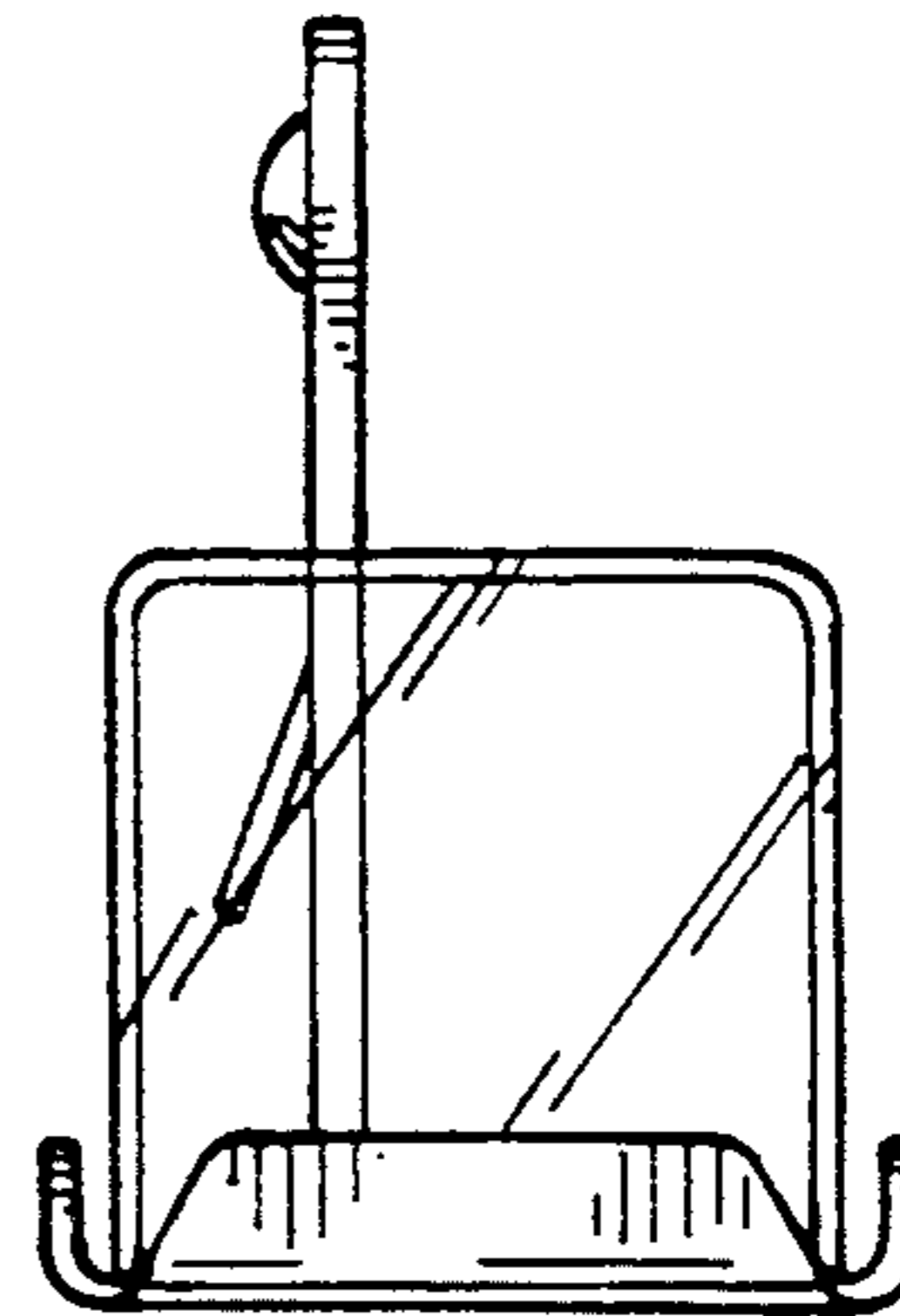
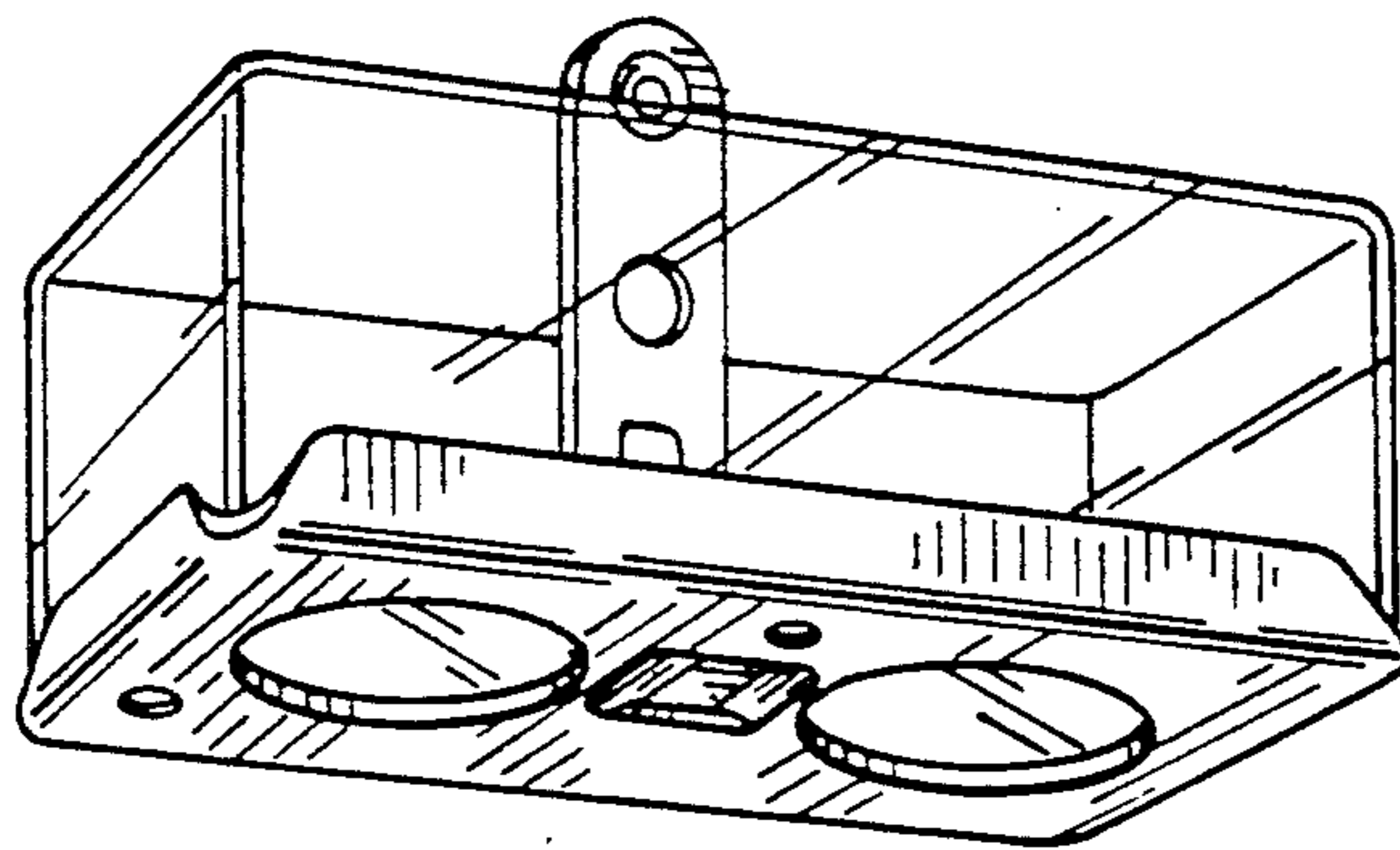
DESCRIPTION

FIG. 1 is a bottom, front, and left side perspective view of a starter lock for jet skis showing our new design; FIG. 2 is a top plan view thereof; FIG. 3 is a left side elevational view thereof, the right side being a mirror image of that shown; FIG. 4 is a front elevational view thereof; FIG. 5 is a bottom plan view thereof; and, FIG. 6 is a rear elevational view thereof.

[56] **References Cited**

U.S. PATENT DOCUMENTS

D. 321,122 10/1991 Donalies D8/346



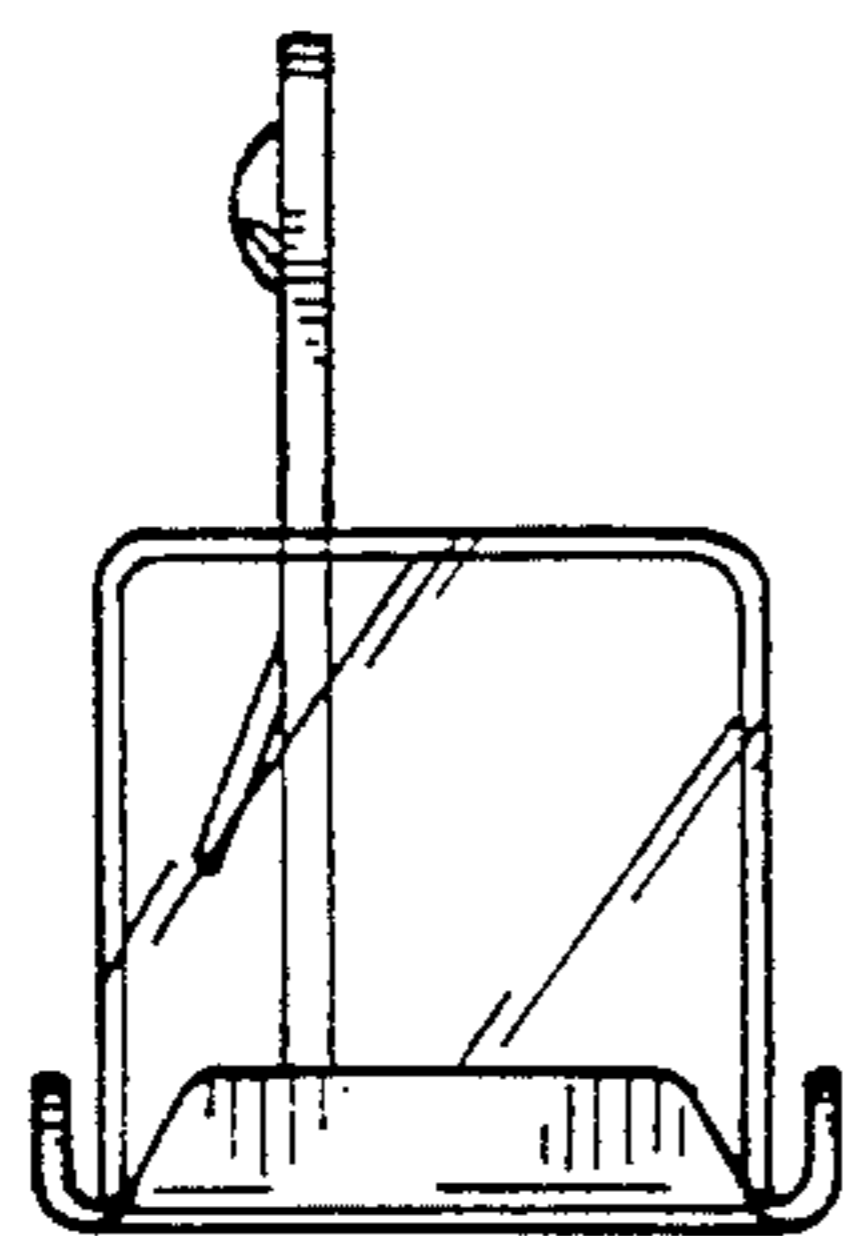
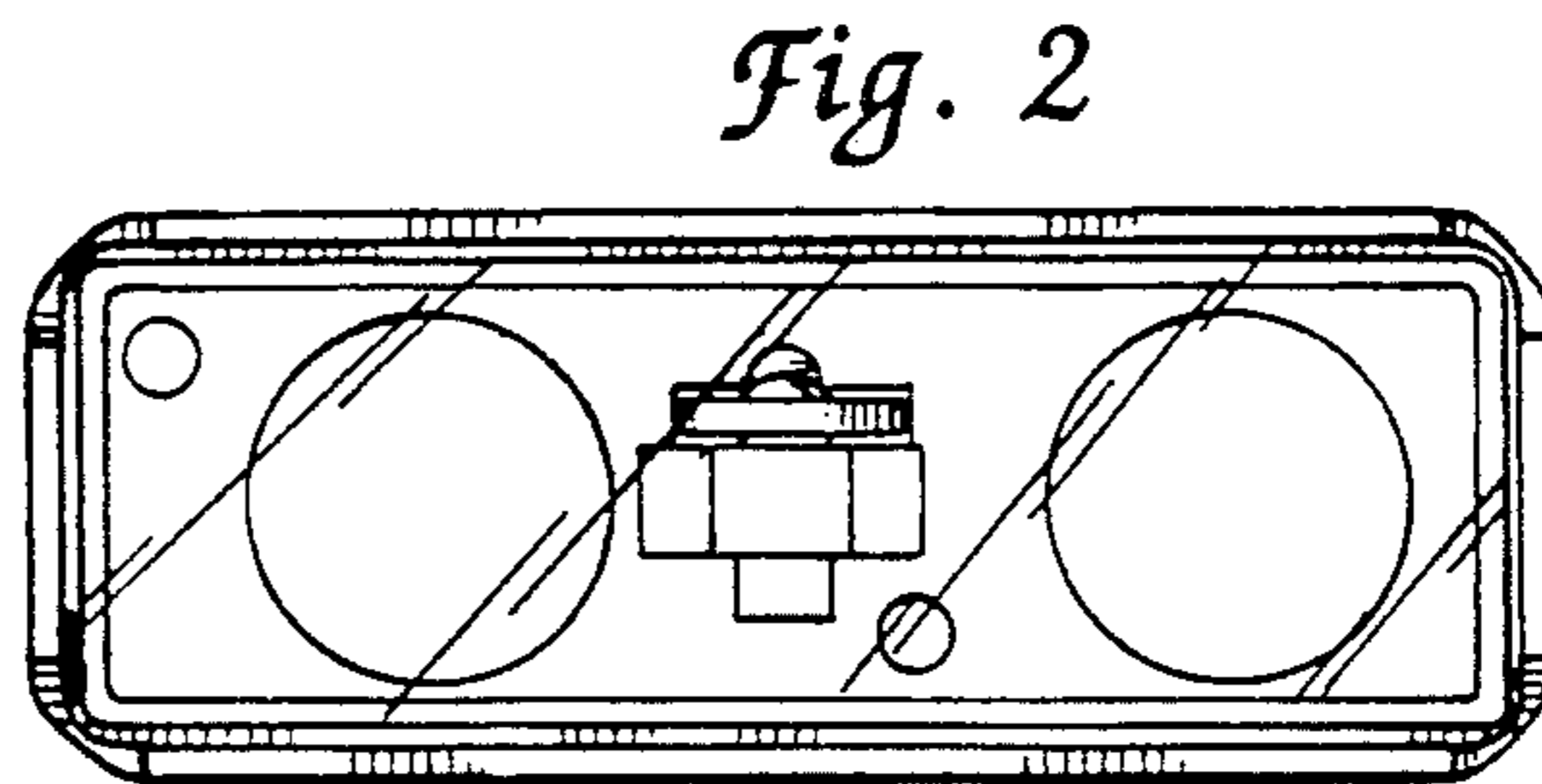
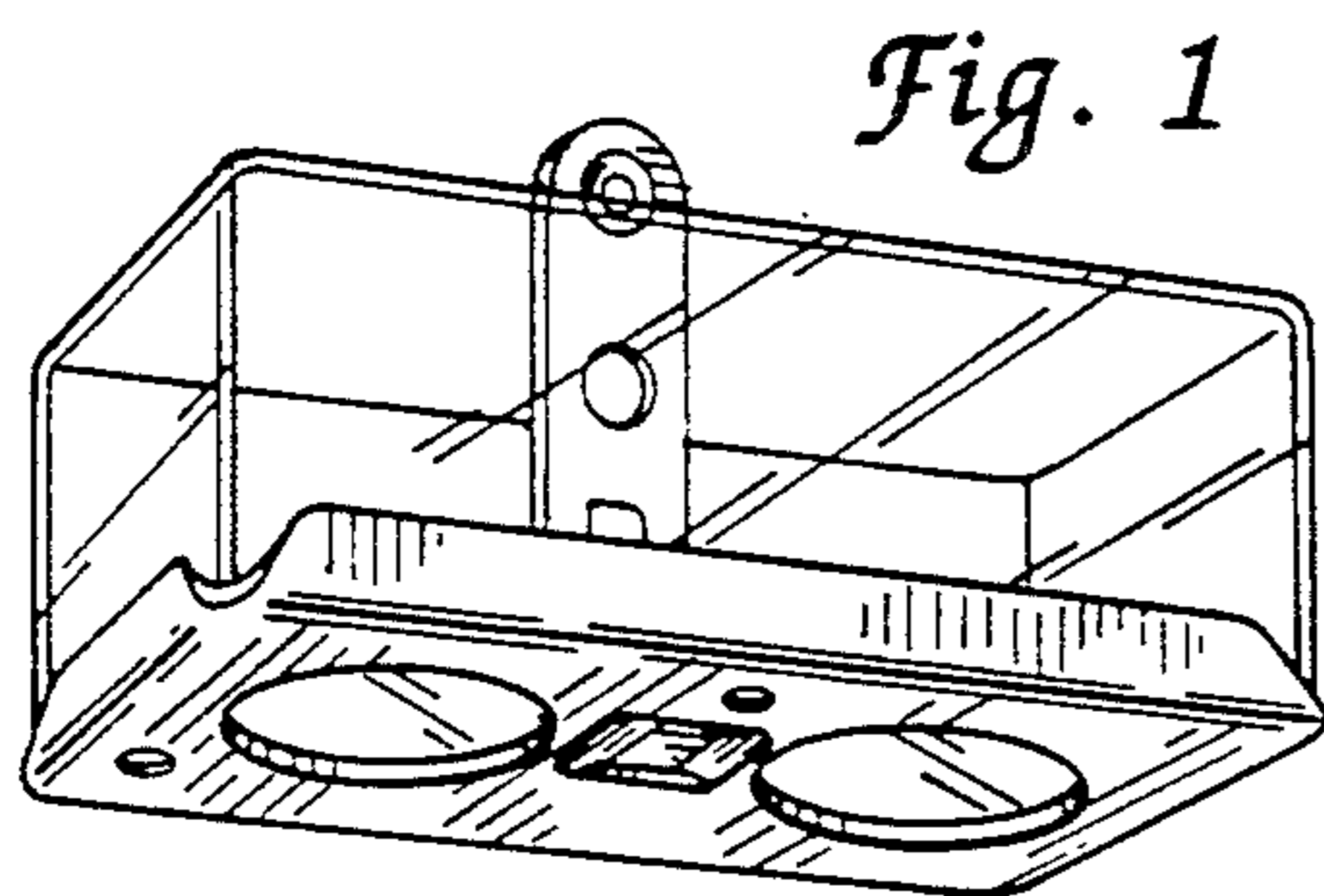


Fig. 3

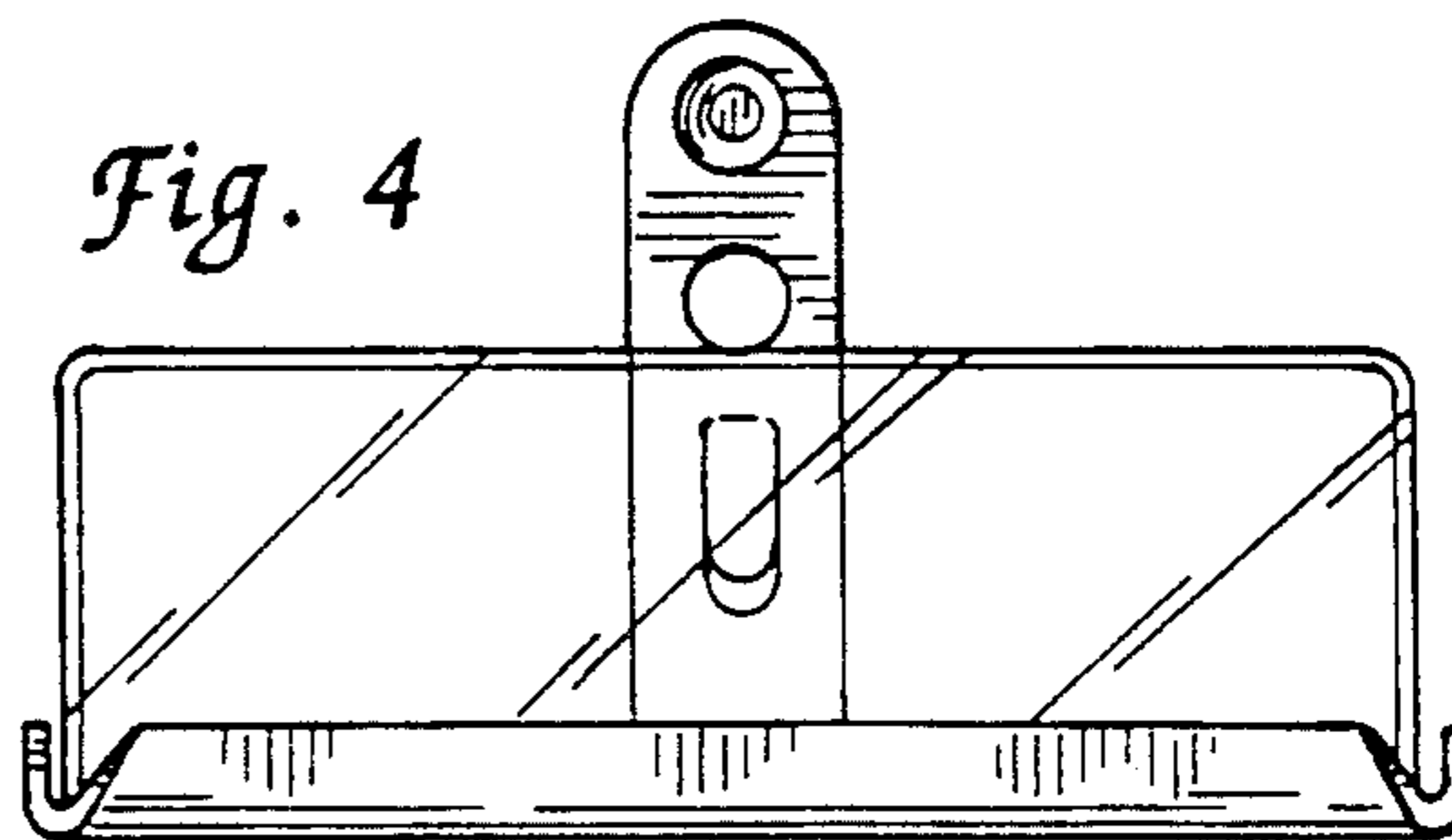


Fig. 5

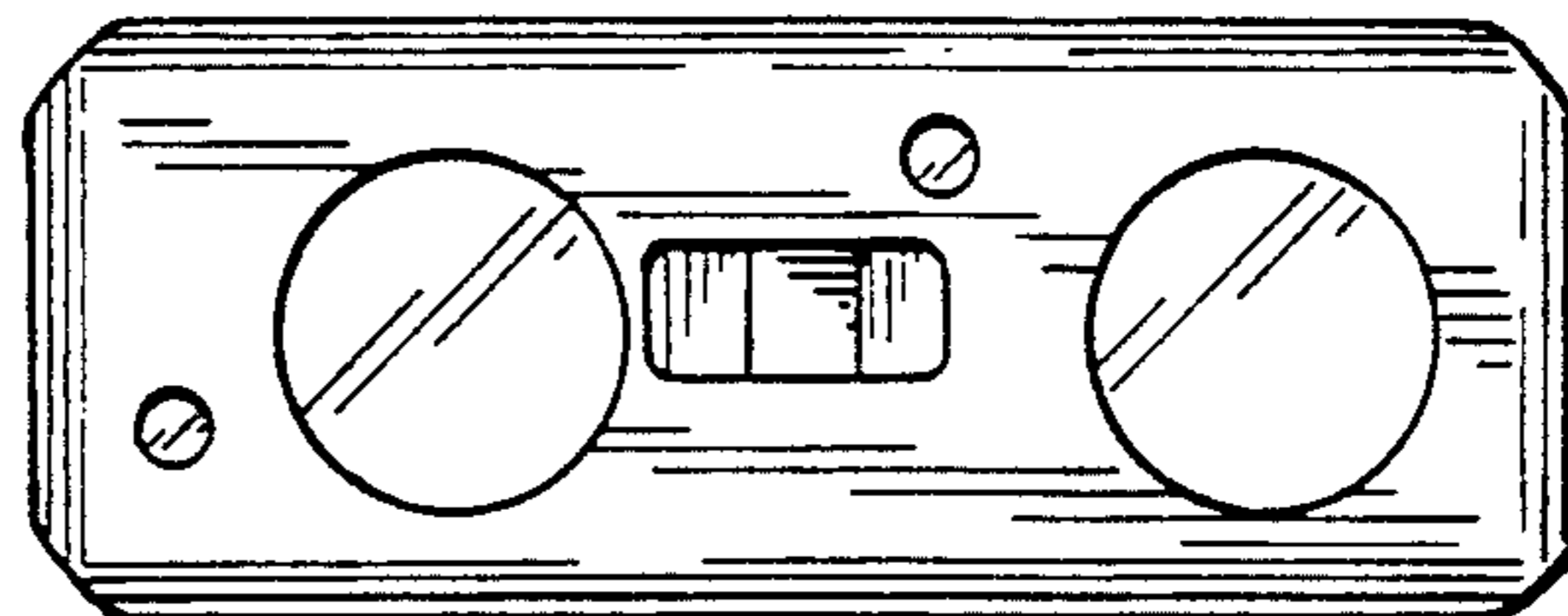


Fig. 6

