



US00D327410S

# United States Patent [19]

[11] Patent Number: **Des. 327,410**

Pearson

[45] Date of Patent: **\*\* Jun. 30, 1992**

[54] SECURITY BAR ASSEMBLY FOR ARCADE GAME CABINET DOORS OR THE LIKE

4,062,578 12/1977 Chen ..... 292/262  
4,105,231 8/1978 Huysson ..... D8/340 X  
4,548,436 10/1985 Cole, Jr. .... 292/292

[76] Inventor: Stanley W. Pearson, Rte. 1 Box  
654-A, Beaufort, N.C. 28516

Primary Examiner—Brian N. Vinson

[\*\*] Term: 14 Years

[57] CLAIM

[21] Appl. No.: 520,868

The ornamental design for a security bar assembly for arcade game cabinet doors or the like, as shown and described.

[22] Filed: May 9, 1990

[52] U.S. Cl. .... D8/331; D8/336

[58] Field of Search ..... D8/330-331,  
D8/336, 343-346; 70/1.5, 77-78, 431; 292/262,  
289-290, 292, DIG. 54

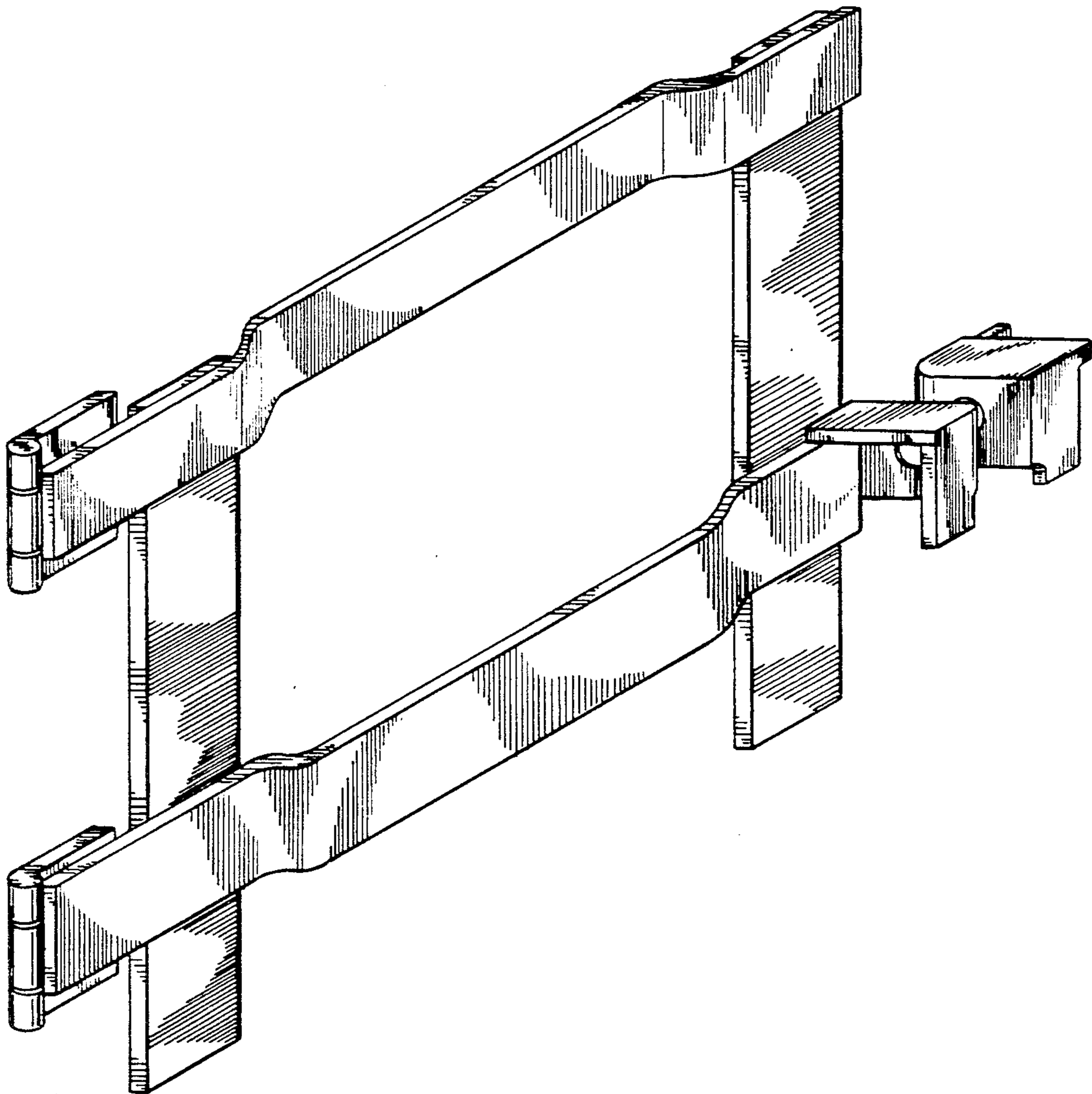
### DESCRIPTION

[56] References Cited

#### U.S. PATENT DOCUMENTS

D. 295,606 5/1988 Ault ..... D8/330  
D. 299,421 1/1989 Pearson ..... D8/331  
D. 315,666 3/1991 Pearson ..... D8/336  
D. 320,733 10/1991 Pearson ..... D8/331

FIG. 1 is a front elevational view of a security bar assembly for arcade game cabinet doors or the like showing my new design;  
FIG. 2 is a right side elevational view thereof;  
FIG. 3 is a top plan view thereof;  
FIG. 4 is a rear elevational view thereof;  
FIG. 5 is a left side elevational view thereof; and,  
FIG. 6 is an enlarged top, front, and left side perspective view thereof.



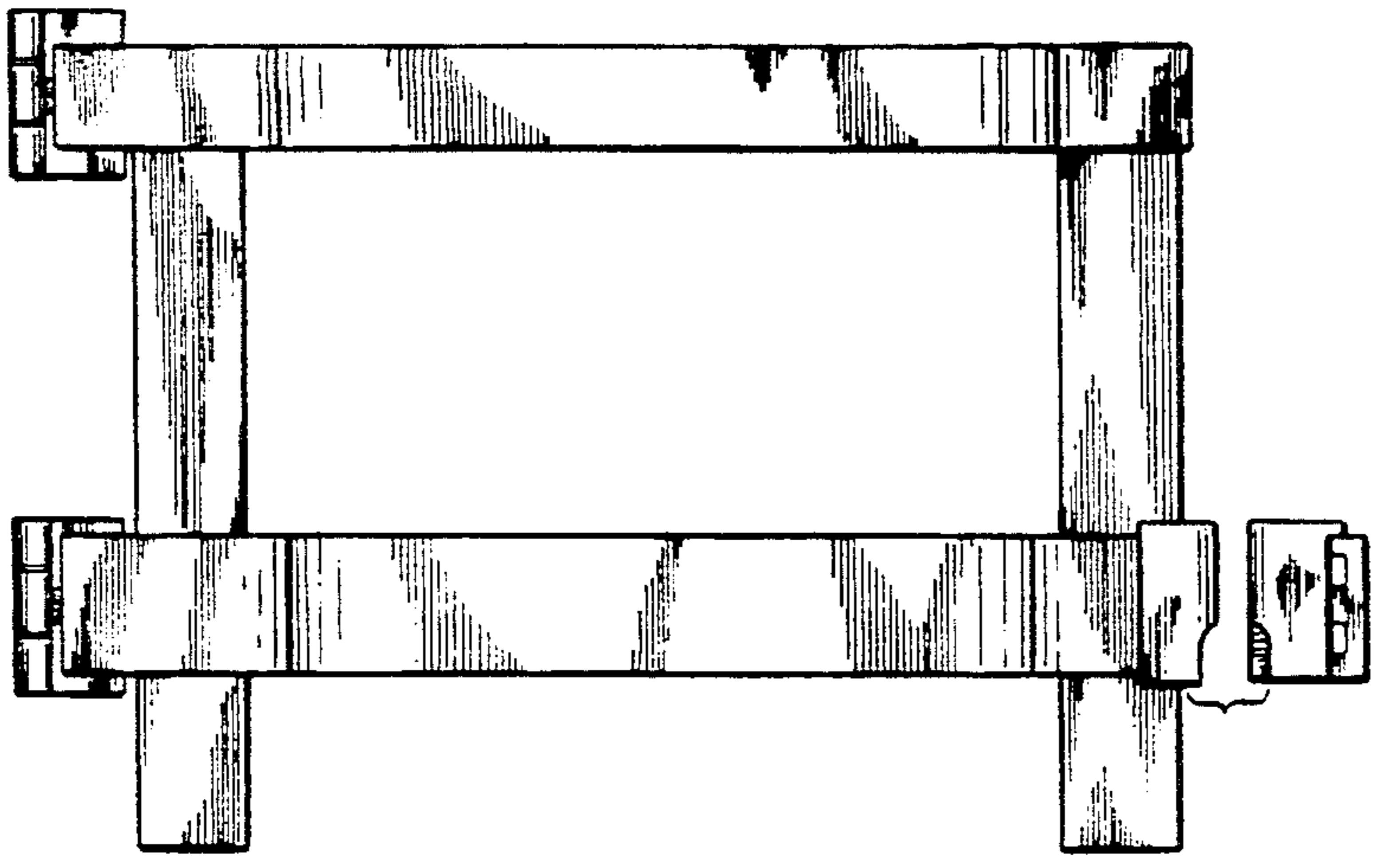


FIG. 1

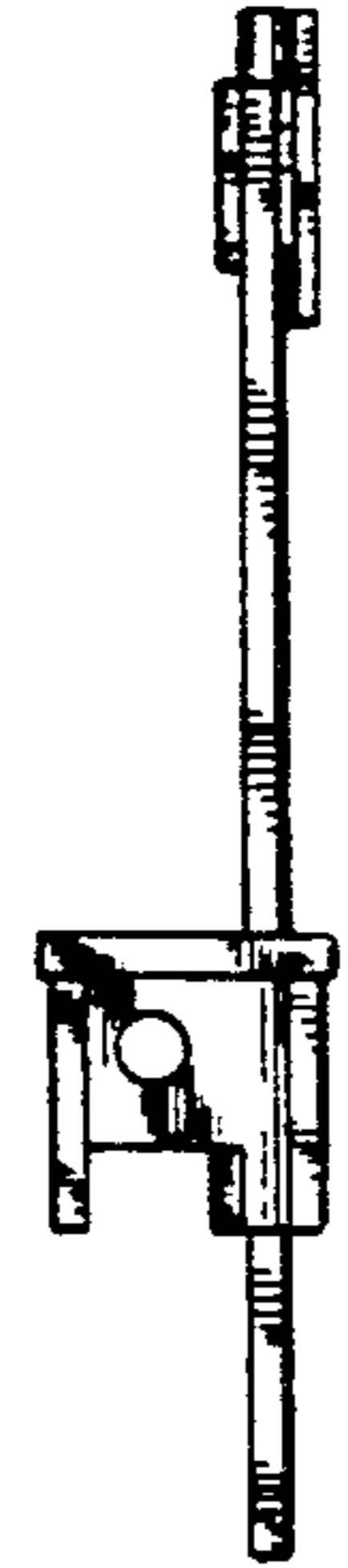


FIG. 2

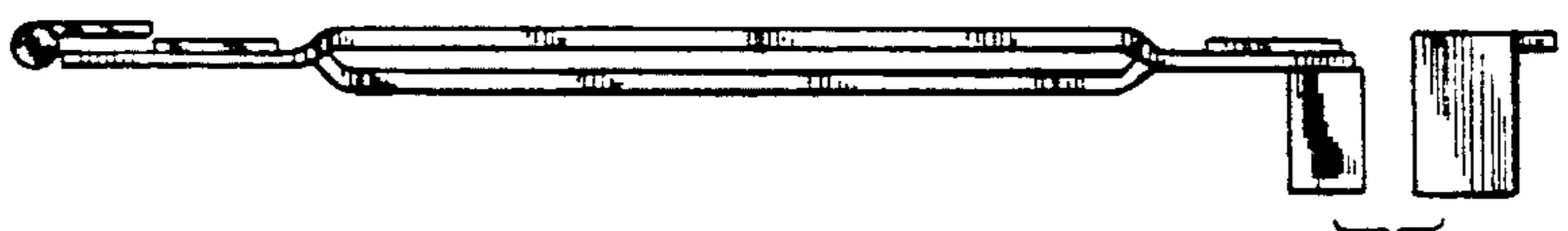


FIG. 3

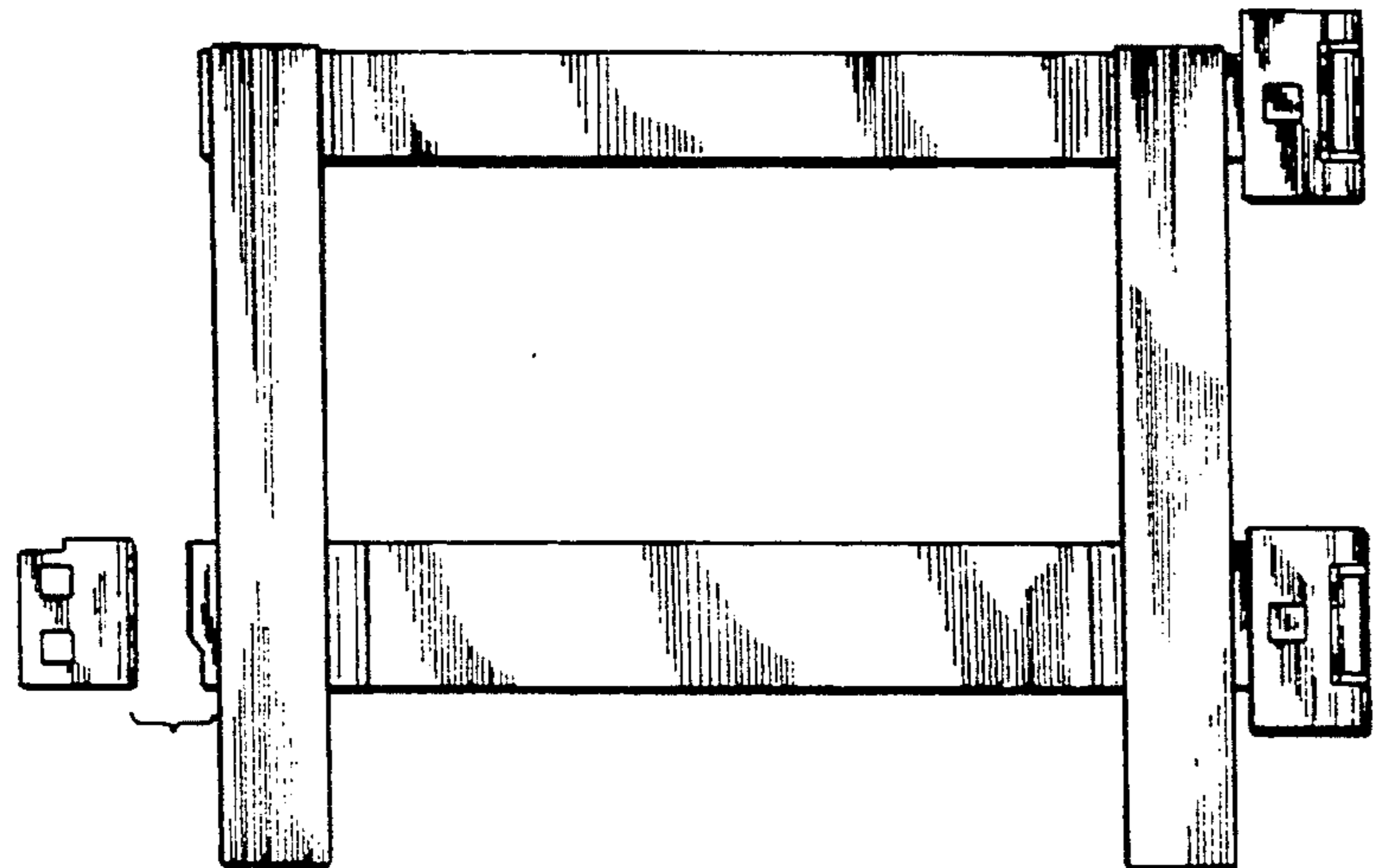


FIG. 4

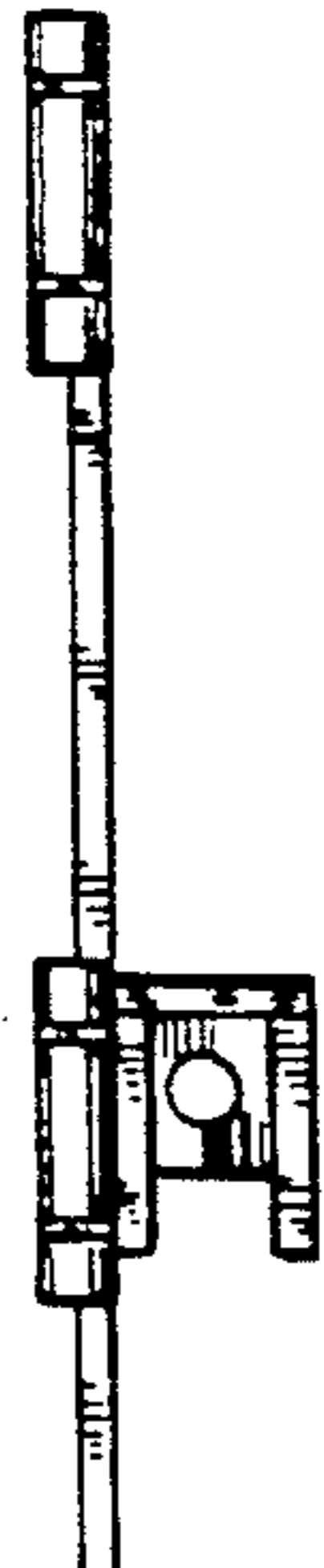


FIG. 5

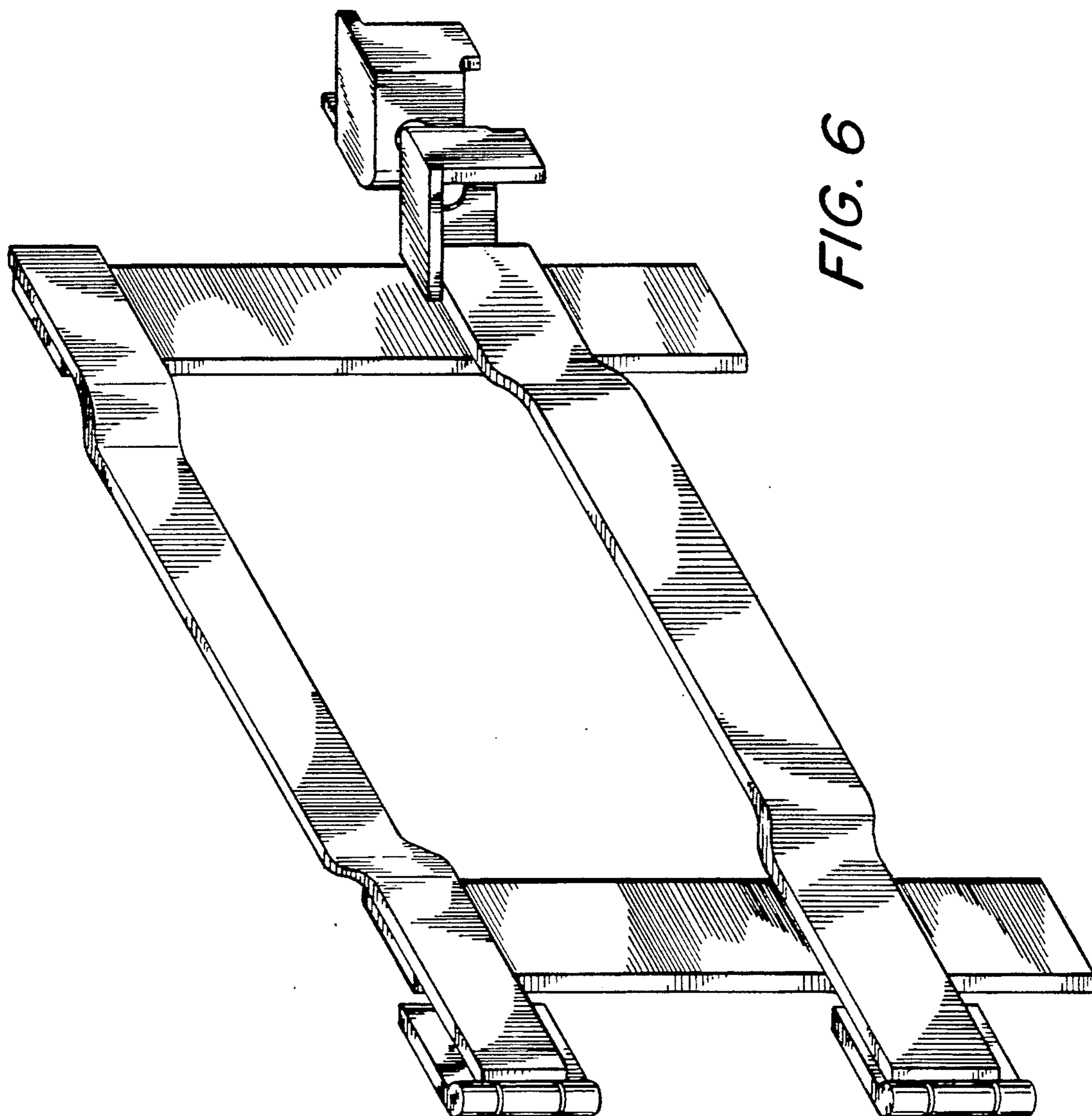


FIG. 6