



US00D327408S

United States Patent [19]
Fulton

[11] **Patent Number: Des. 327,408**

[45] **Date of Patent: ** Jun. 30, 1992**

[54] **CLOSURE PULL**

[75] Inventor: **Fred D. Fulton, Rocklin, Calif.**
[73] Assignee: **Transfer Flow International, Inc., Chico, Calif.**

[**] Term: **14 Years**

[21] Appl. No.: **569,465**

[22] Filed: **Aug. 20, 1990**

[52] U.S. Cl. **D8/314; D8/300; D8/307**

[58] Field of Search **D8/300, 313, 314, 307; 16/110 R, 124**

[56] **References Cited**

U.S. PATENT DOCUMENTS

D. 126,567 4/1941 Borchers **D8/314**

OTHER PUBLICATIONS

Belwith Cat. 687; ©1987; p. 23, pull 740.
Forms & Surfaces; ©1986; HC 200 Series; p. 1, Pull HC 210.
Forms & Surfaces; ©1986; HC 800 Series; p. 2, Pull HC 805.

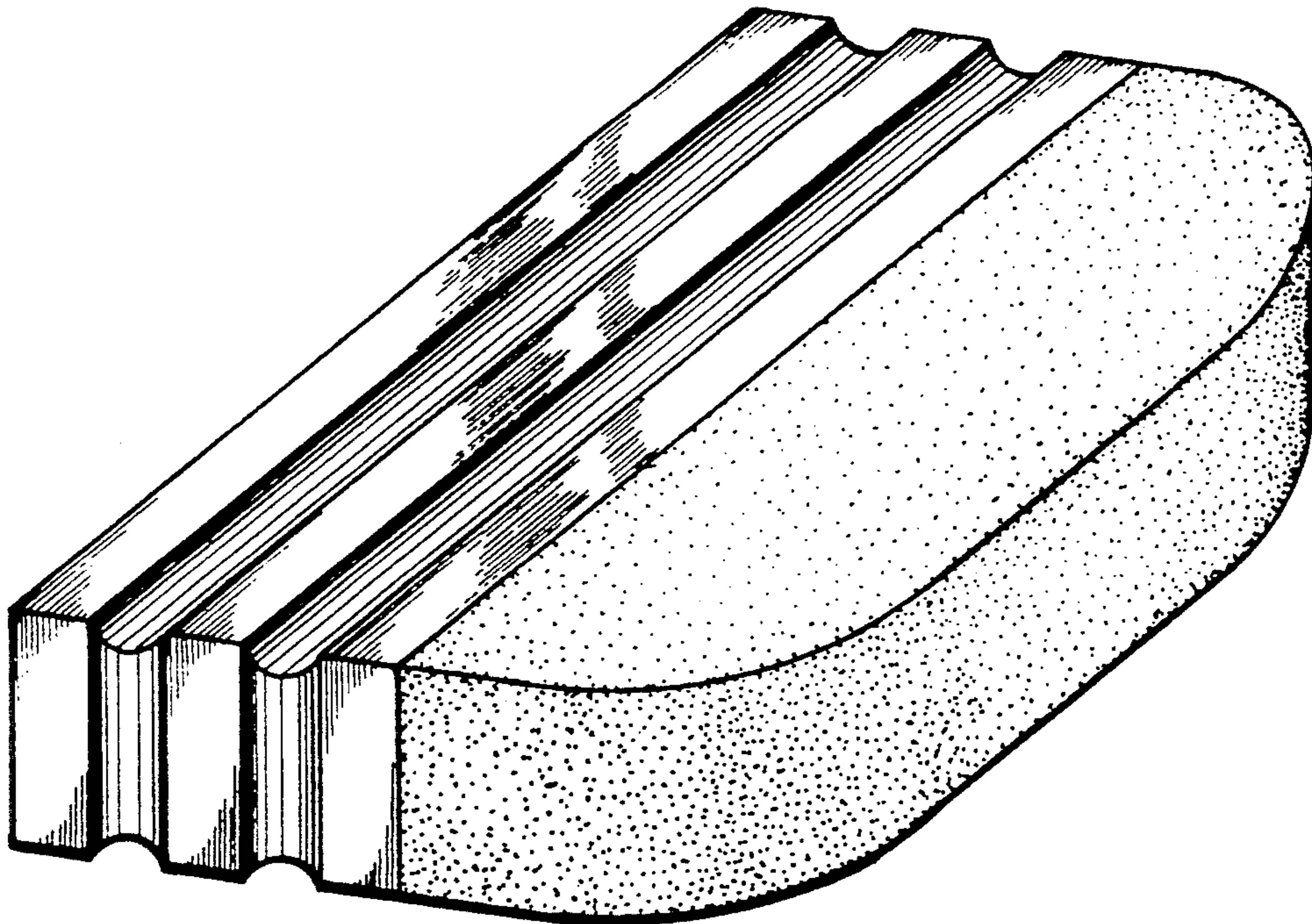
Primary Examiner—**B. J. Bullock**

[57] **CLAIM**

The ornamental design for a closure pull, as shown.

DESCRIPTION

FIG. 1 is a front view of a closure pull showing my new design, the rear being identical;
FIG. 2 is a top view thereof;
FIG. 3 is a bottom view thereof;
FIG. 4 is a right side view thereof, the left side being identical; and,
FIG. 5 is a perspective view thereof.



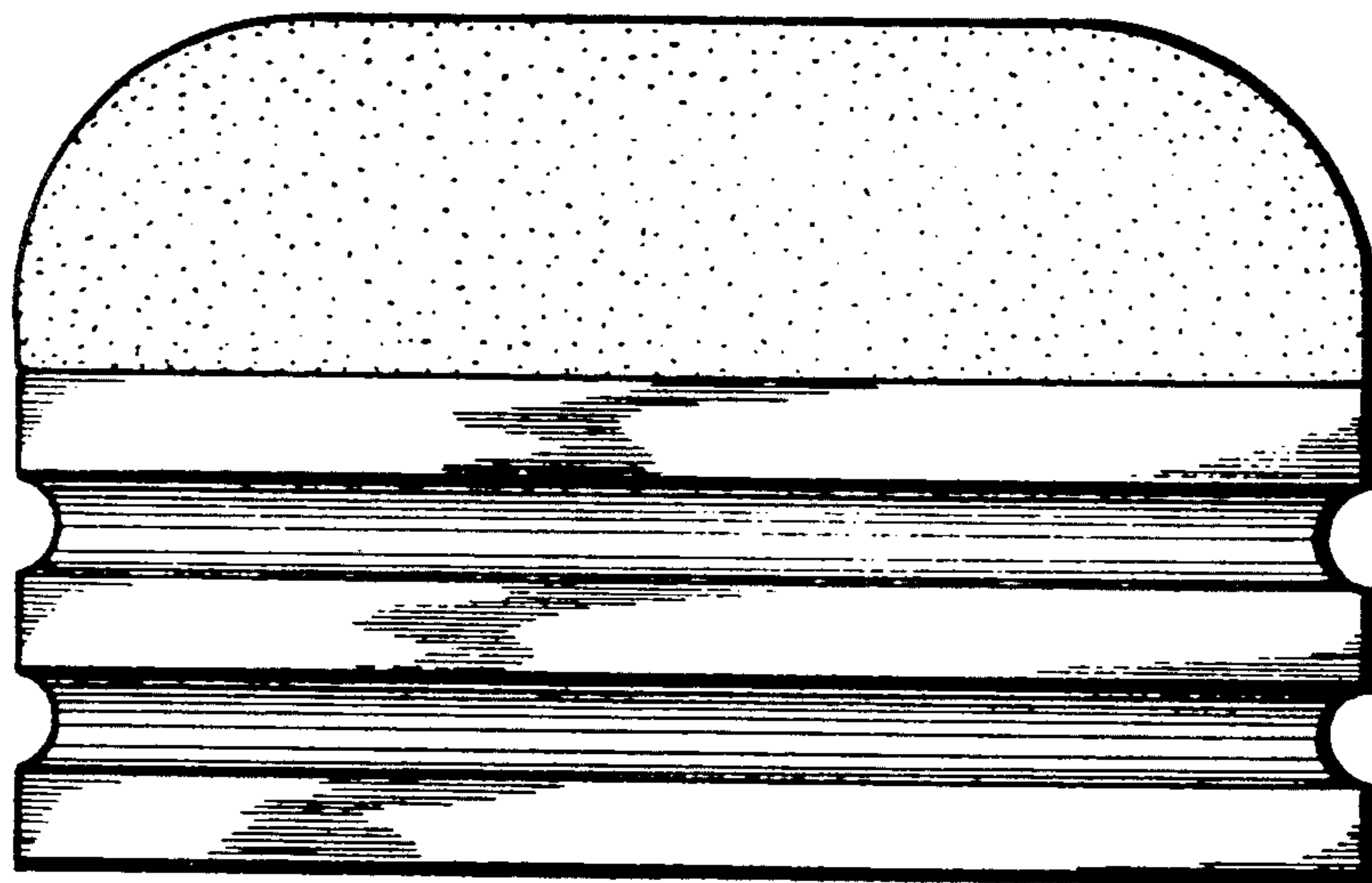


Fig. 1

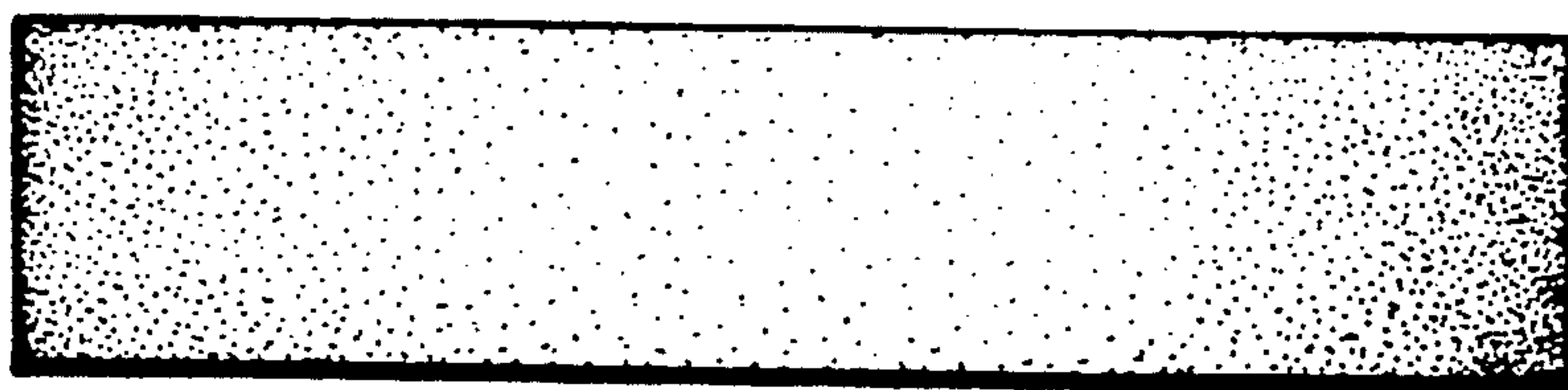


Fig. 2

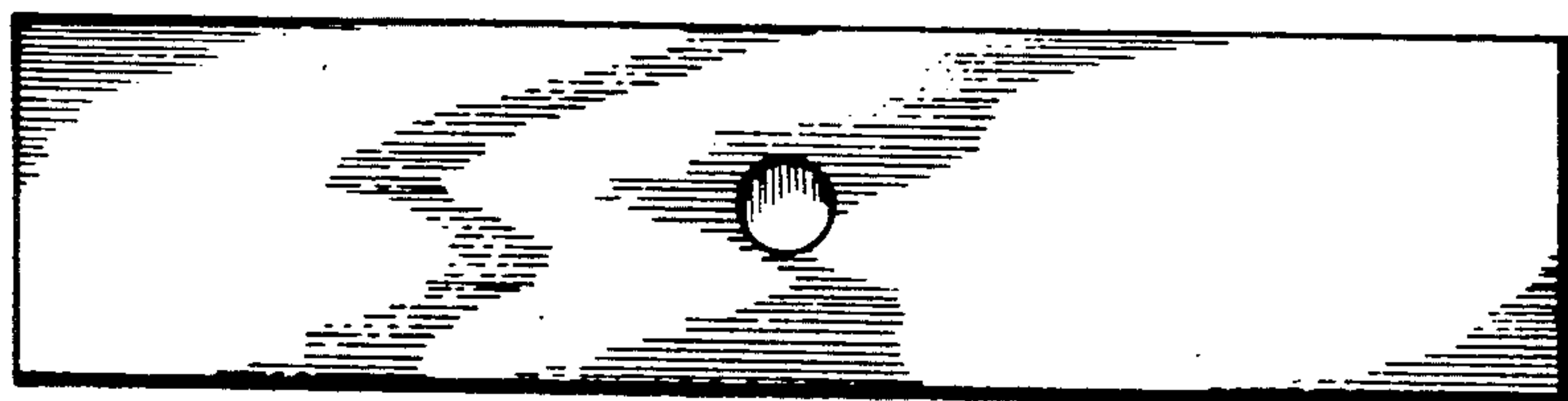


Fig. 3

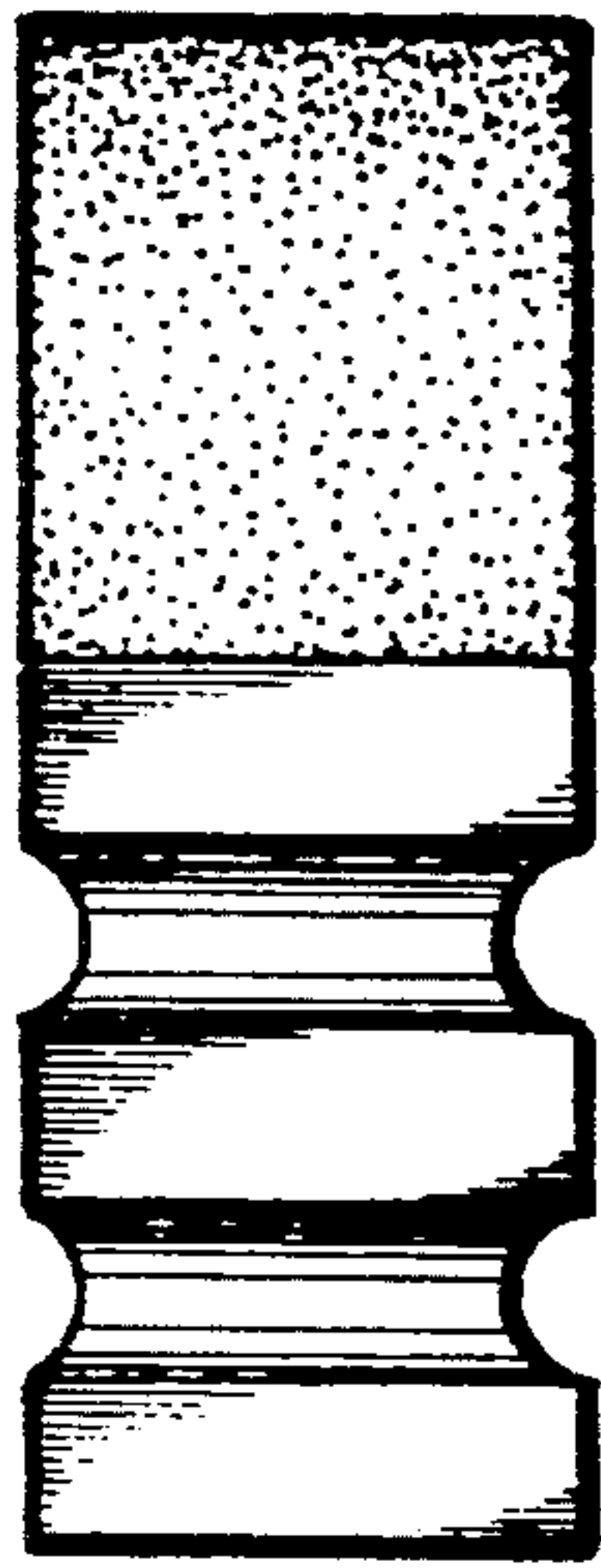


Fig. 4

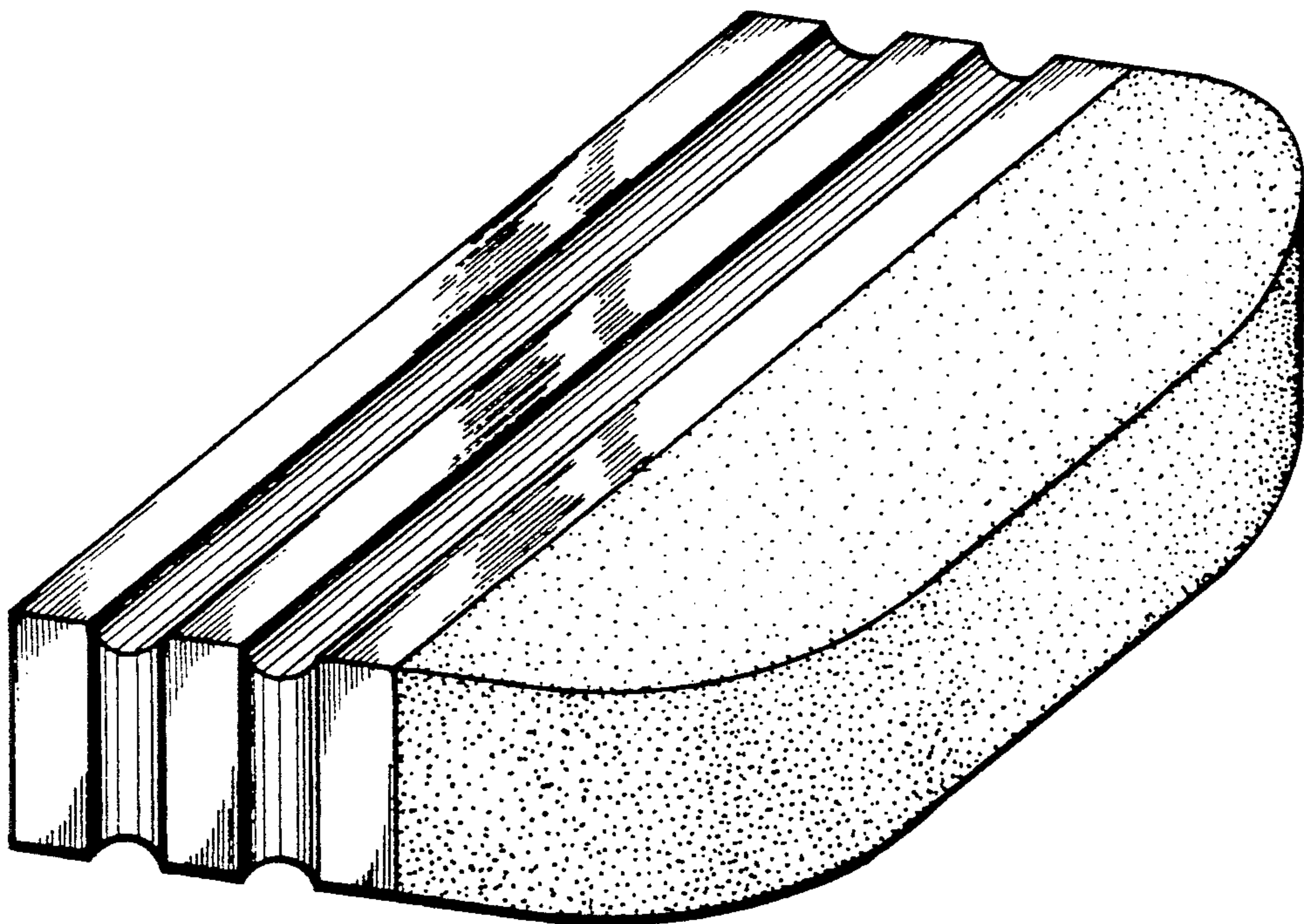


Fig. 5