



US00D327406S

United States Patent [19]

Kittelson

[11] Patent Number: Des. 327,406

[45] Date of Patent: ** Jun. 30, 1992

[54] HAMMER HEAD

[76] Inventor: Gary V. Kittelson, 2455 Highway 1378, Wylie, Tex. 75098

[**] Term: 14 Years

[21] Appl. No.: 328,592

[22] Filed: Mar. 27, 1989

[52] U.S. Cl. D8/78

[58] Field of Search D8/75, 76, 78, 79; 254/21, 22, 25, 26; 81/20

D. 300,111 3/1989 Square D8/78
2,491,129 12/1949 Nieuwsma 254/26 R

Primary Examiner—Bernard Ansher
Assistant Examiner—Philip Hyder
Attorney, Agent, or Firm—Leon Gilden

[57] CLAIM

The ornamental design for a hammer head, as shown and described.

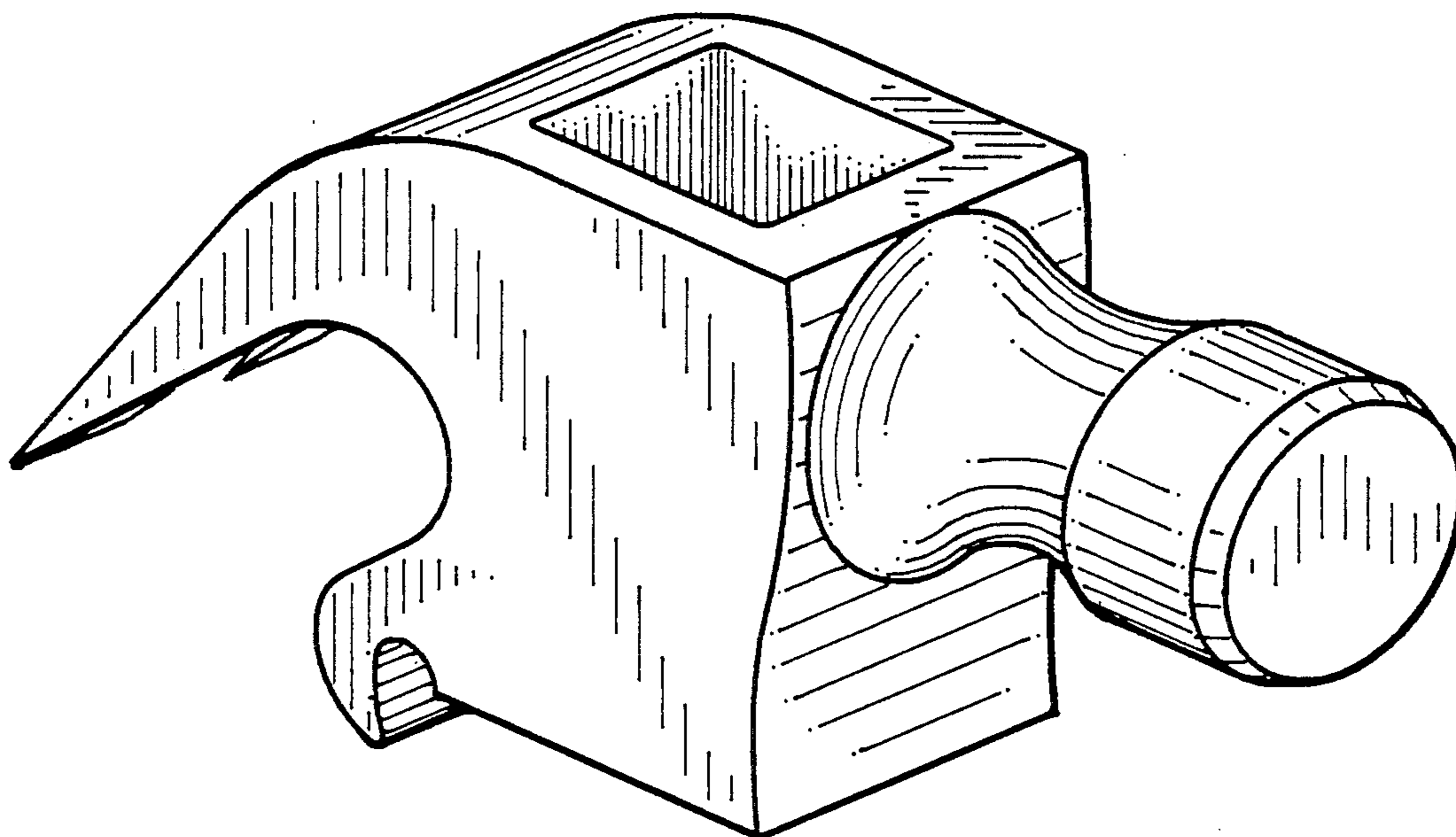
DESCRIPTION

FIG. 1 is a front elevational view of a hammer head showing my new design;
FIG. 2 is a rear elevational view thereof;
FIG. 3 is a left side elevational view thereof;
FIG. 4 is a right side elevational view thereof;
FIG. 5 is a top plan view thereof; and,
FIG. 6 is a bottom plan view thereof.

[56] References Cited

U.S. PATENT DOCUMENTS

- D. 30,786 5/1899 Brownell D8/79
- D. 34,663 6/1901 Yonge D8/79
- D. 269,061 5/1983 Peterson D8/75



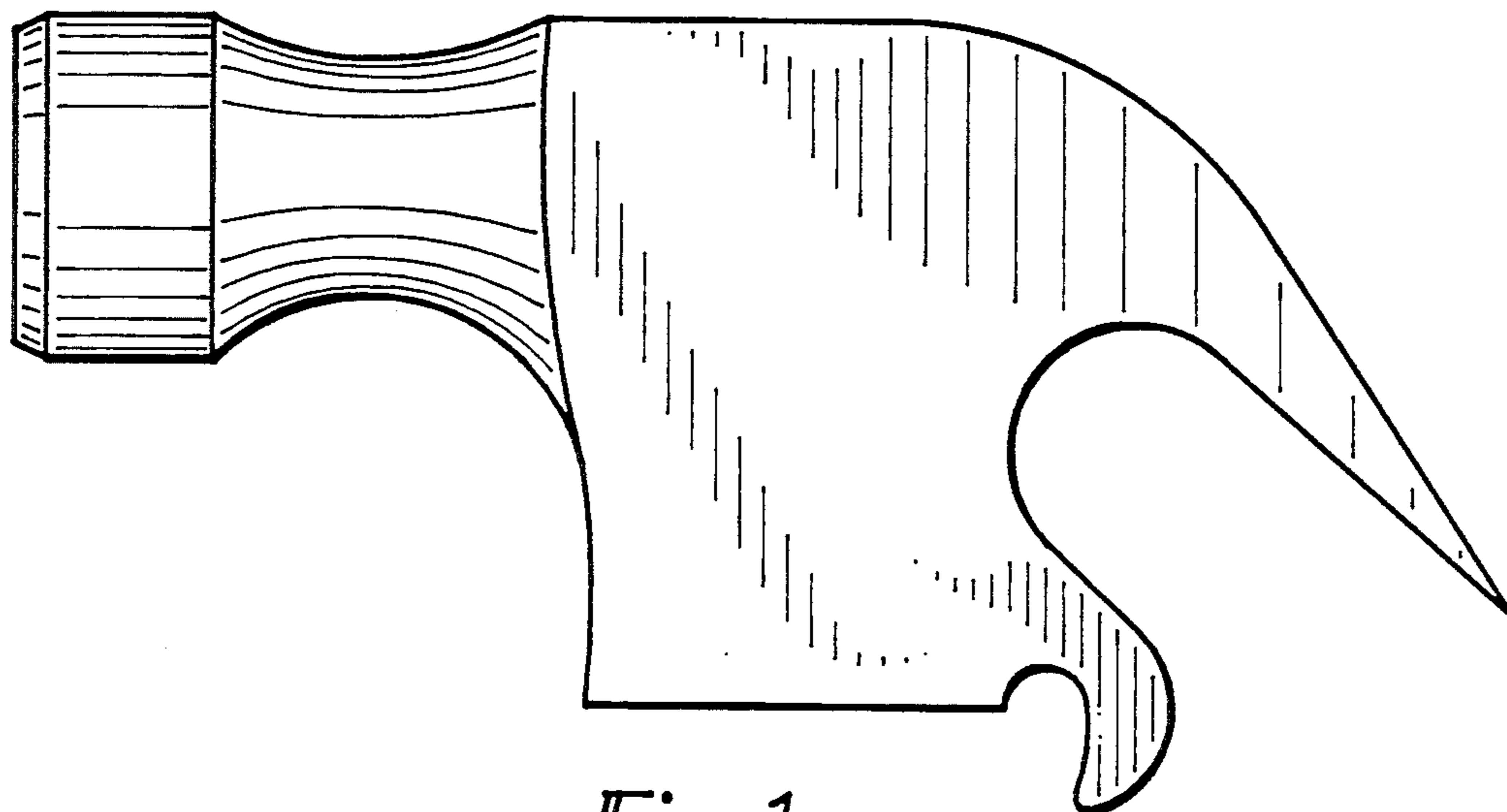


Fig. 1

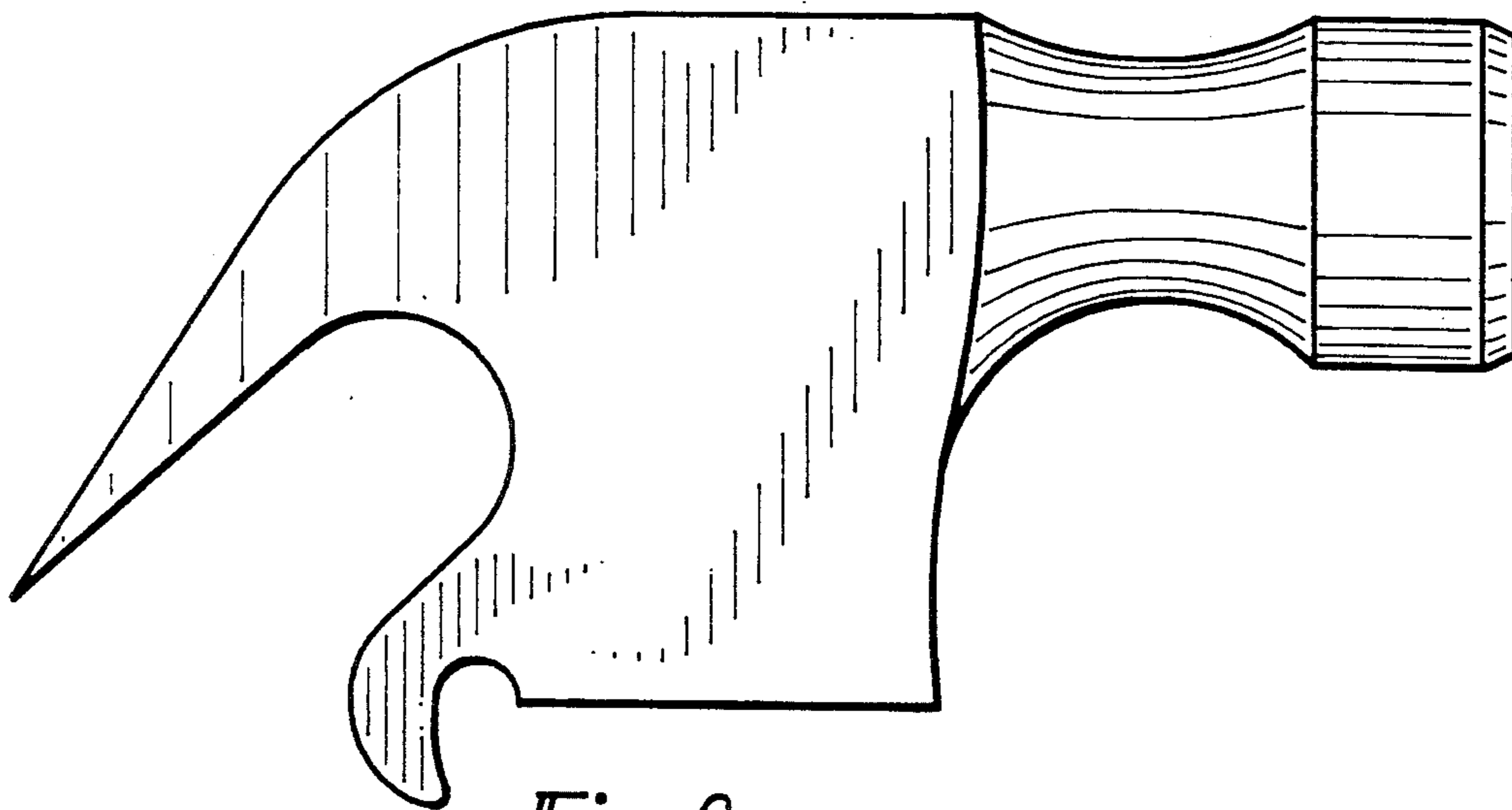


Fig. 2

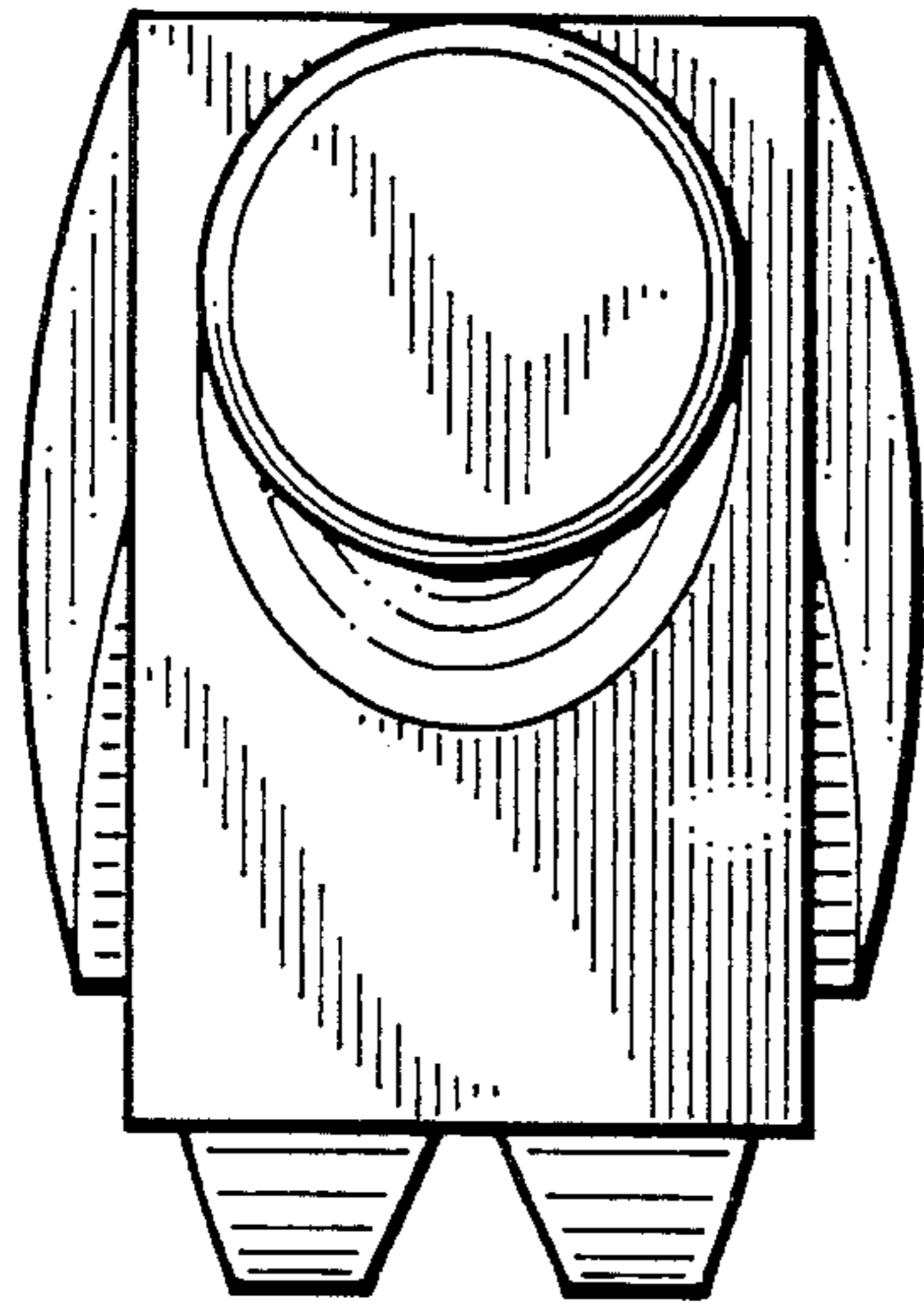


Fig. 3

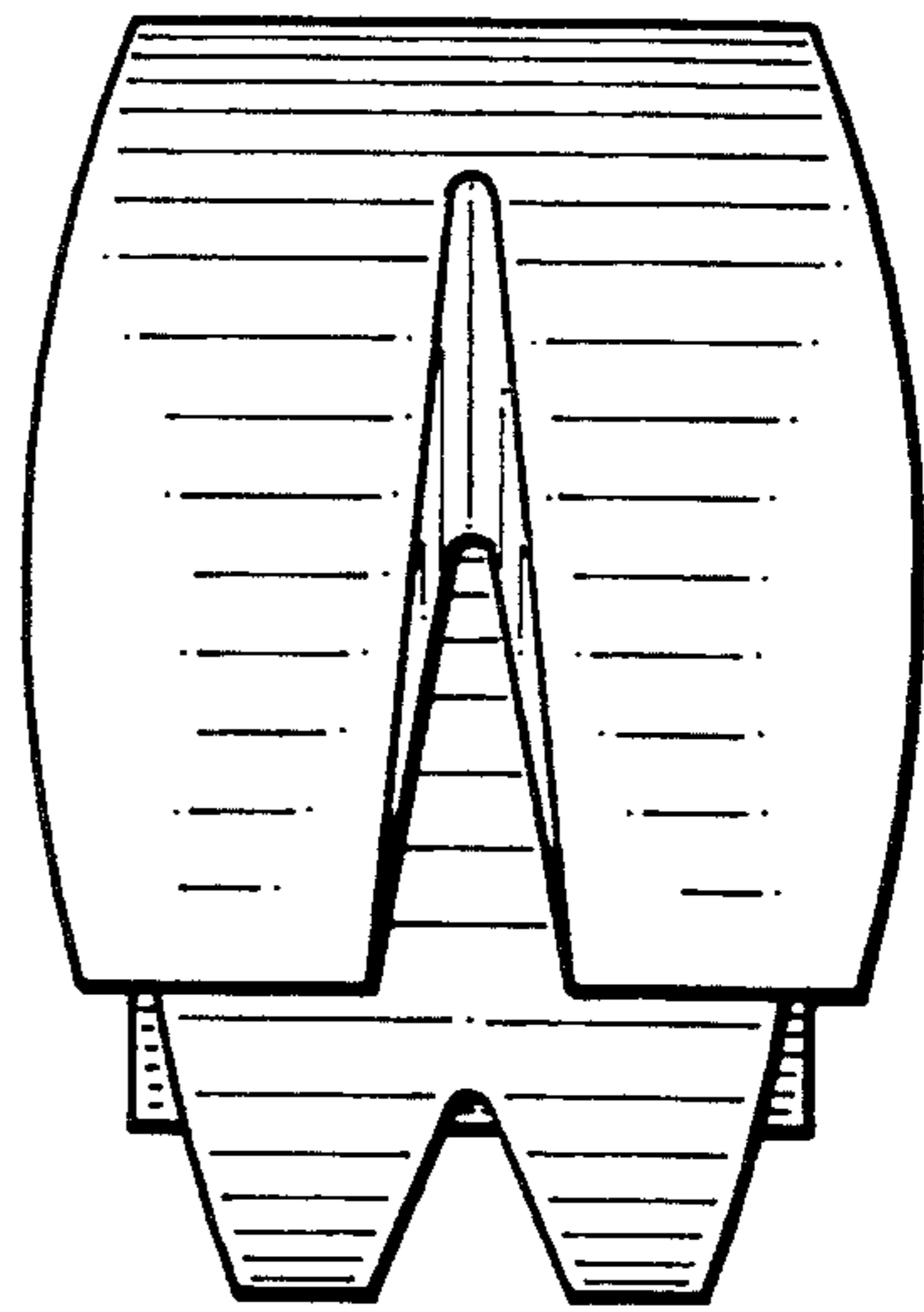


Fig. 4

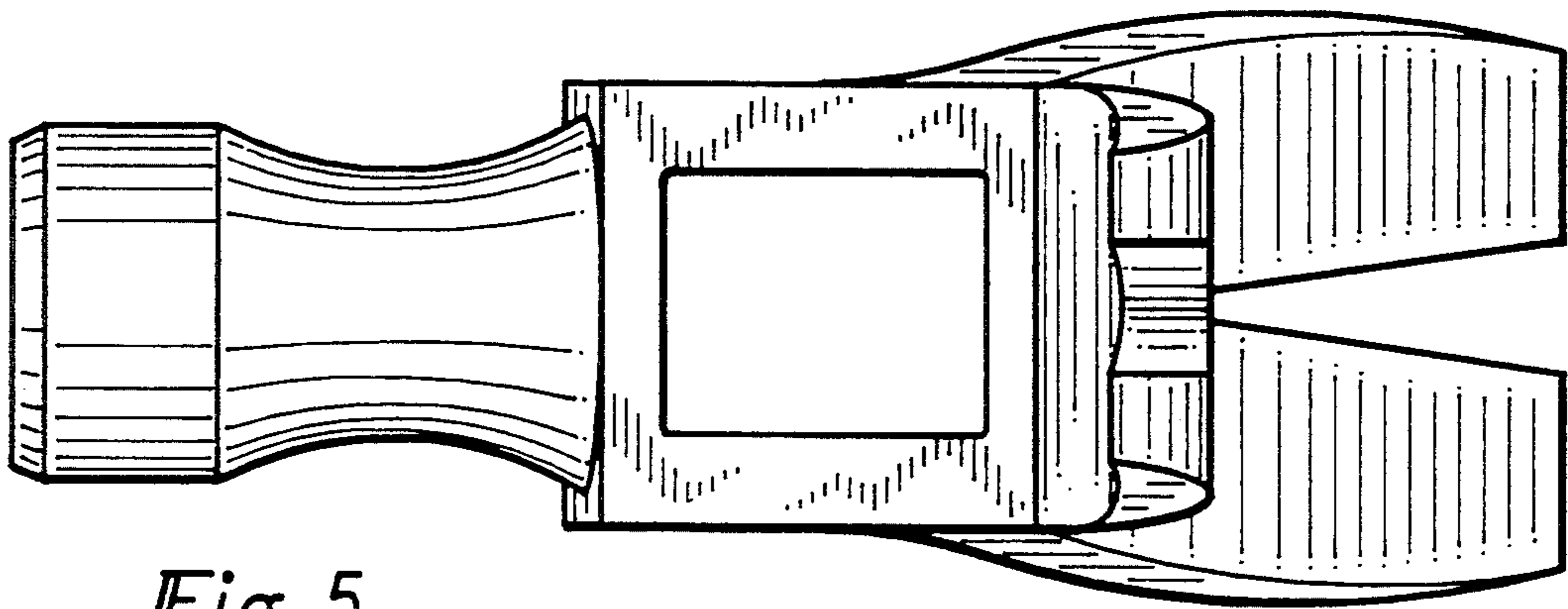


Fig. 5

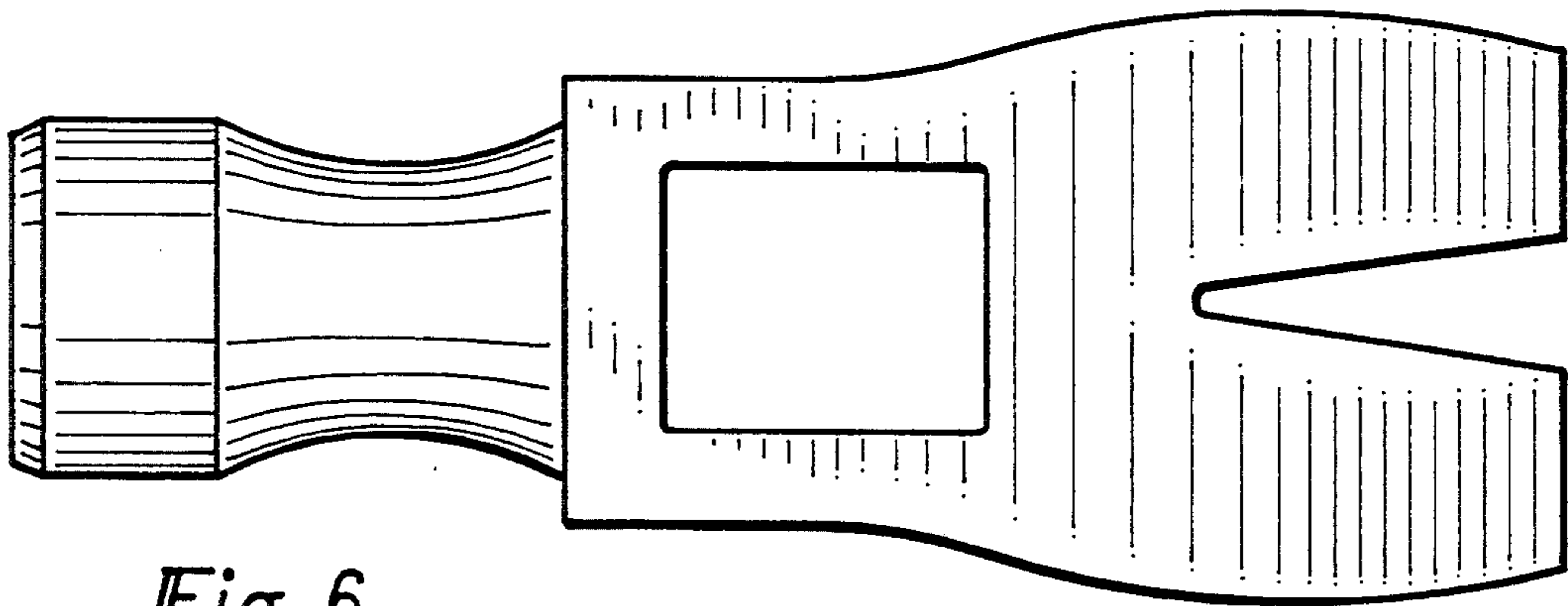


Fig. 6

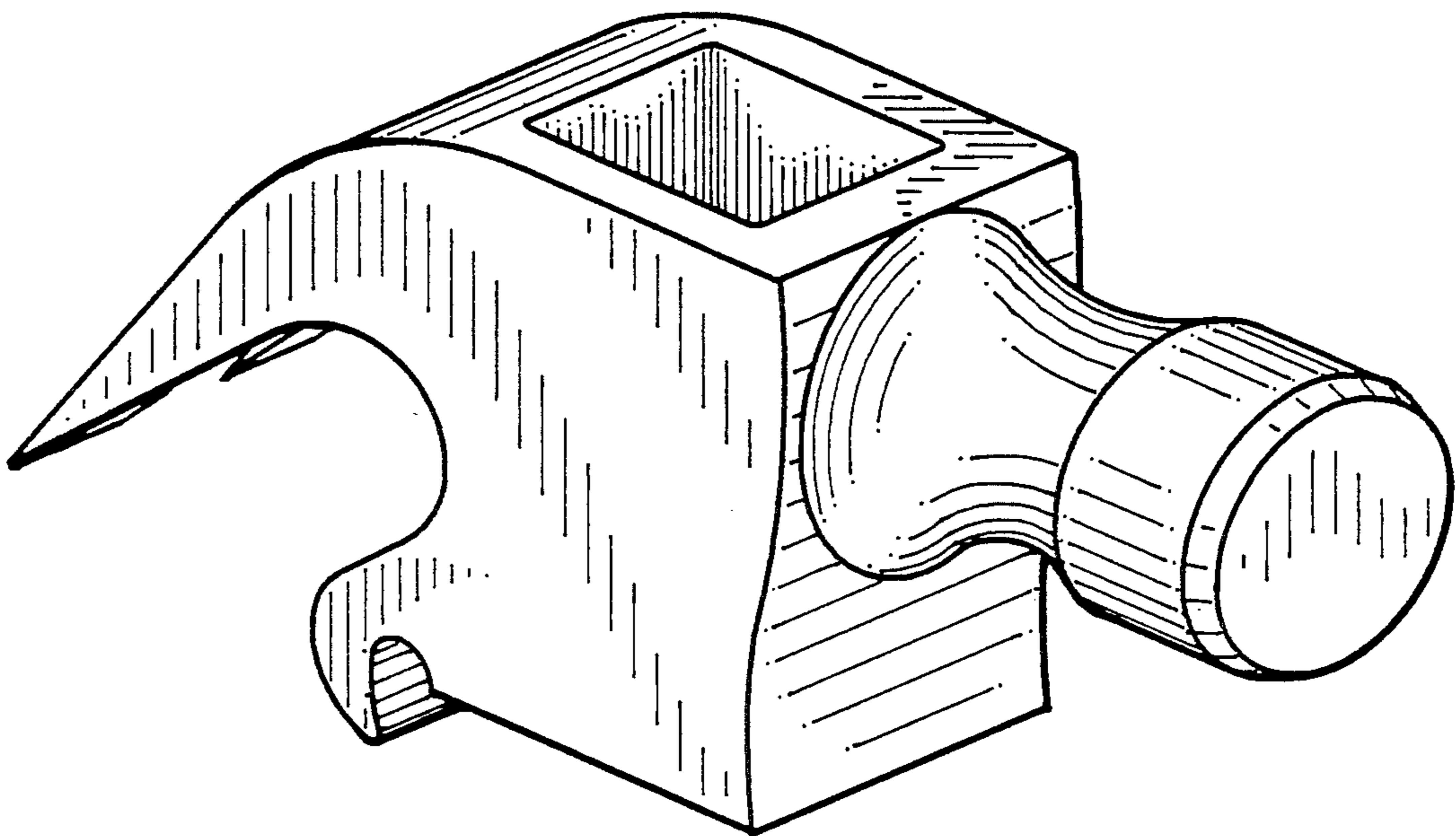


Fig. 7