



US00D327405S

# United States Patent [19]

[11] Patent Number: Des. 327,405

Brinkman

[45] Date of Patent: \*\* Jun. 30, 1992

[54] HAMMER

[76] Inventor: Richard A. Brinkman, 977 Coventry NW., Grand Rapids, Mich. 49504

[\*\*] Term: 14 Years

[21] Appl. No.: 369,902

[22] Filed: Jun. 21, 1989

[52] U.S. Cl. .... D8/75

[58] Field of Search ..... D8/75, 78, 79, 80, 81; 7/143; 81/20; 254/26 E, 26 R, 27

[56] **References Cited**

**U.S. PATENT DOCUMENTS**

D. 45,690	4/1914	Fleischaver et al. ....	D8/79
D. 275,261	8/1984	Crowder .....	D8/75
D. 289,729	5/1987	Porter .....	D8/75
D. 303,208	9/1989	Chung .....	D8/75
4,723,582	2/1988	Caspall .....	81/20

**OTHER PUBLICATIONS**

Easco Tools, Oct. 26, 1982, Hammers.  
True Temper Tools, Mar. 1986, Hammers.

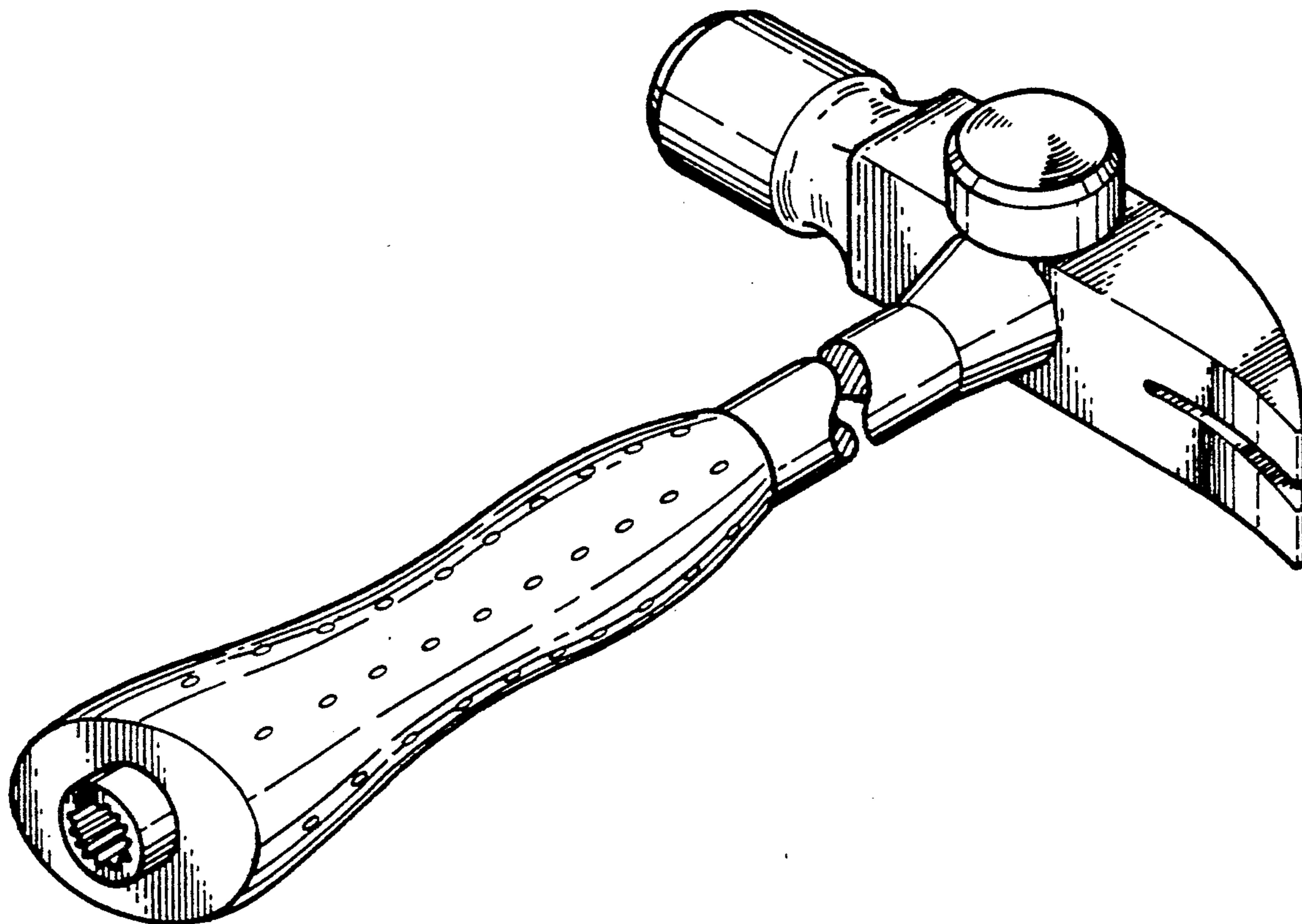
*Primary Examiner*—Theodore M. Shooman  
*Assistant Examiner*—Philip Hyder  
*Attorney, Agent, or Firm*—Terry M. Gernstein

[57] **CLAIM**

The ornamental design for a hammer, as shown.

**DESCRIPTION**

FIG. 1 is a perspective view of a hammer showing my new design, shown fragmentarily to indicate indeterminate length;  
FIG. 2 is a top plan view thereof;  
FIG. 3 is a bottom plan view thereof;  
FIG. 4 is a front elevational view thereof;  
FIG. 5 is a rear elevational view thereof;  
FIG. 6 is a left side elevational view thereof; and,  
FIG. 7 is a right side elevational view thereof.



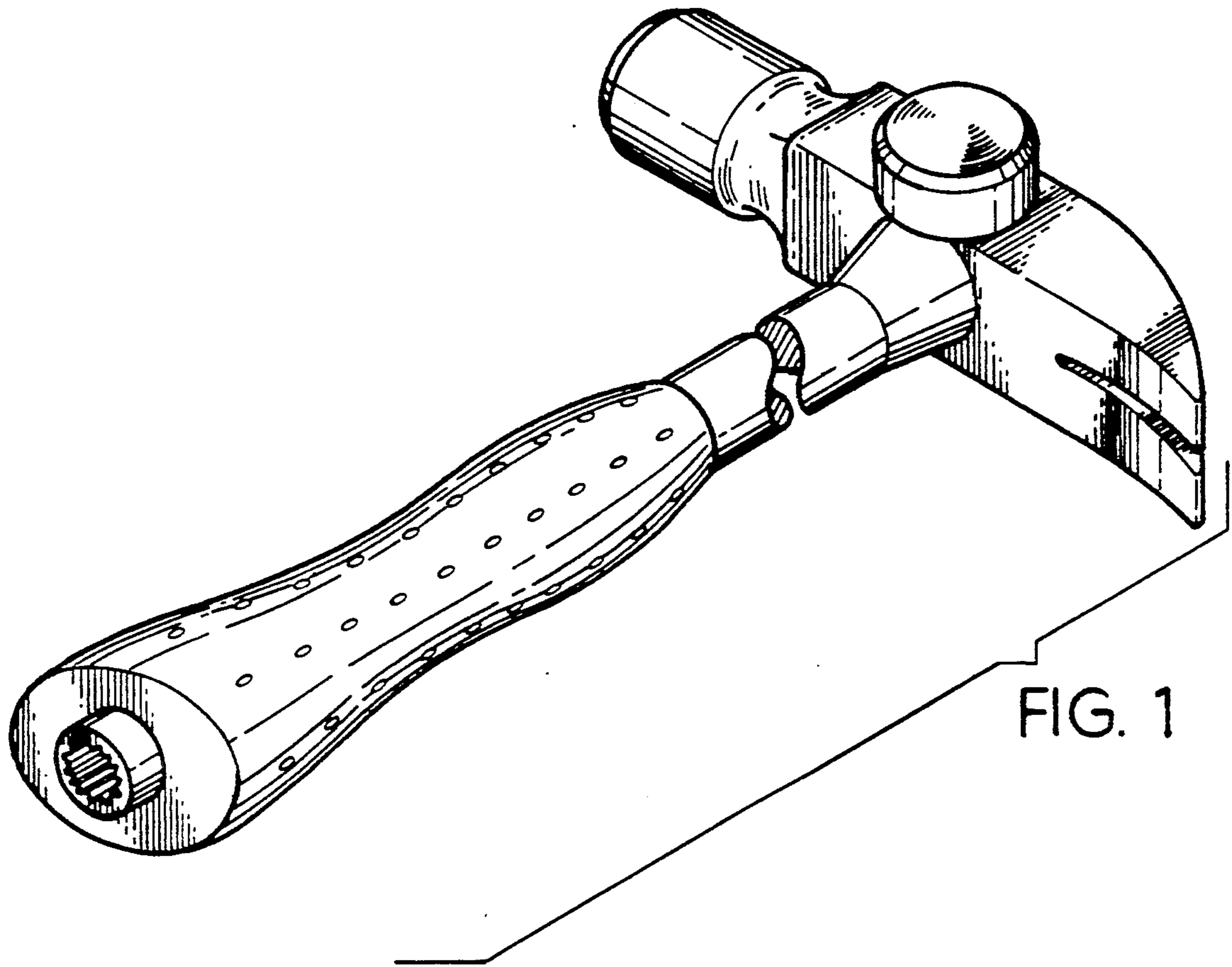


FIG. 1

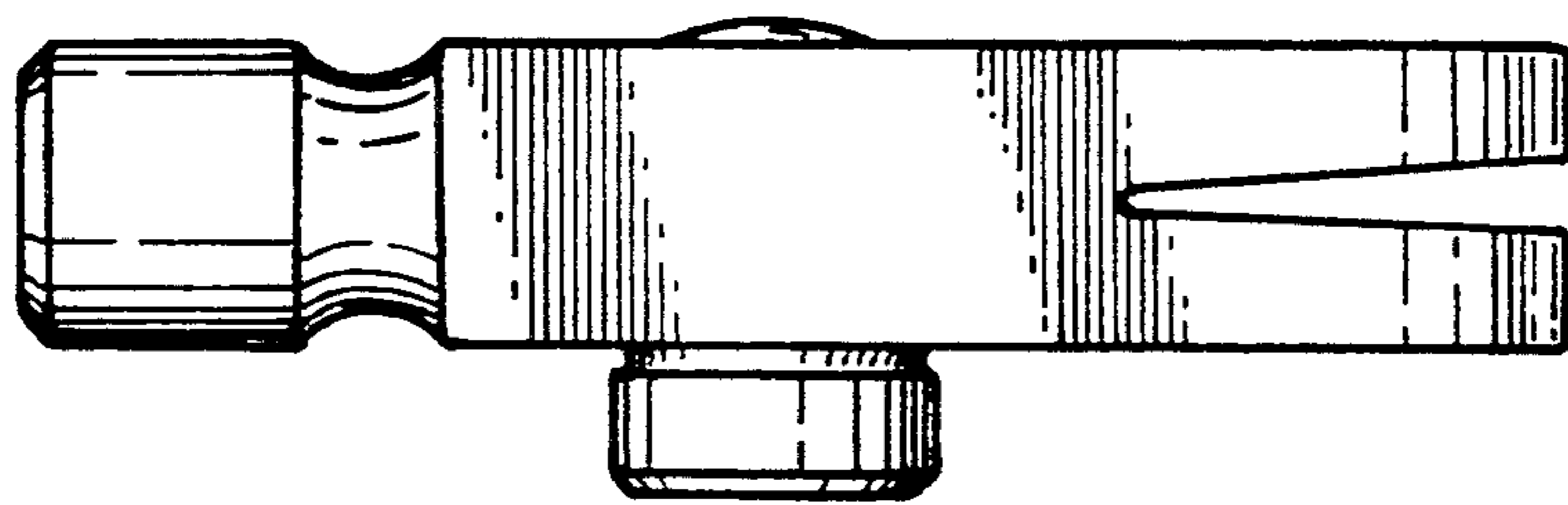


FIG. 2

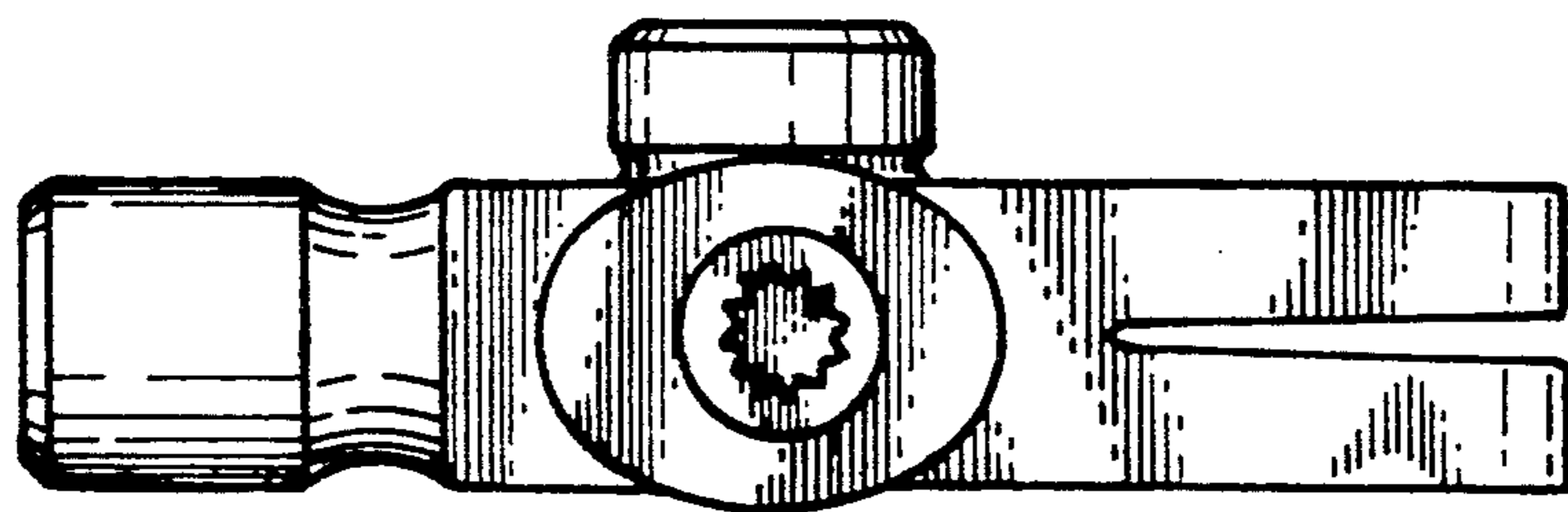


FIG. 3

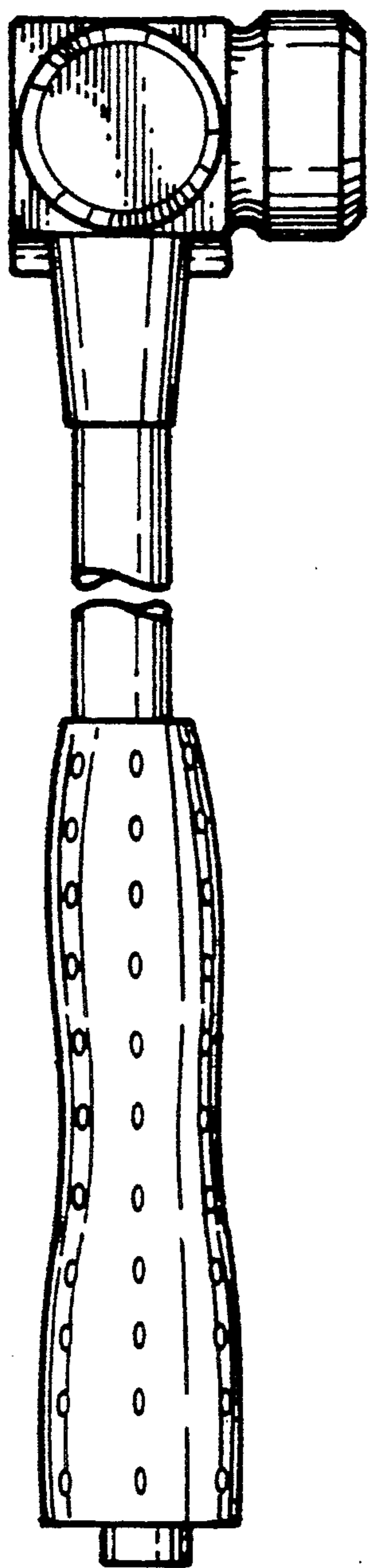


FIG. 4

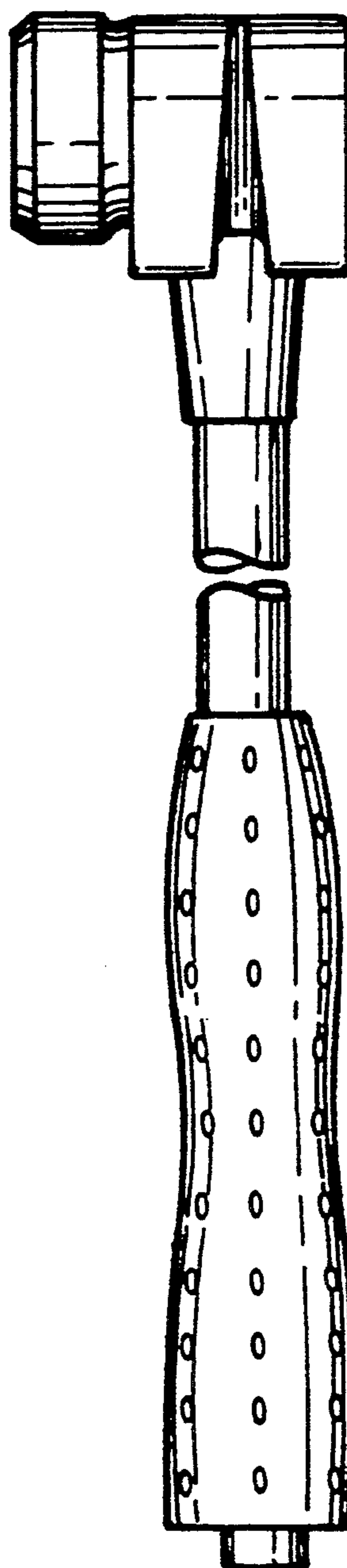


FIG. 5

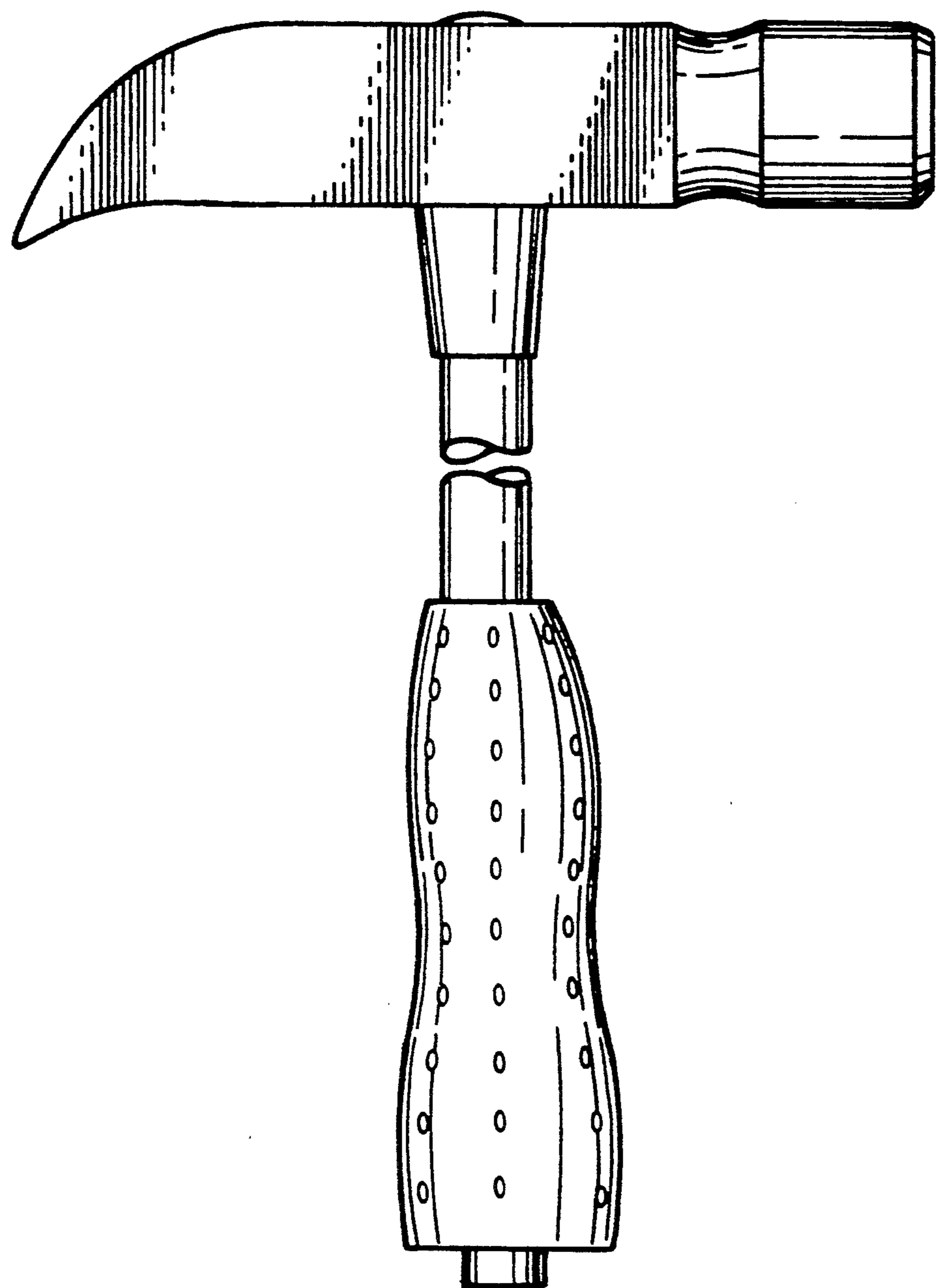


FIG. 6

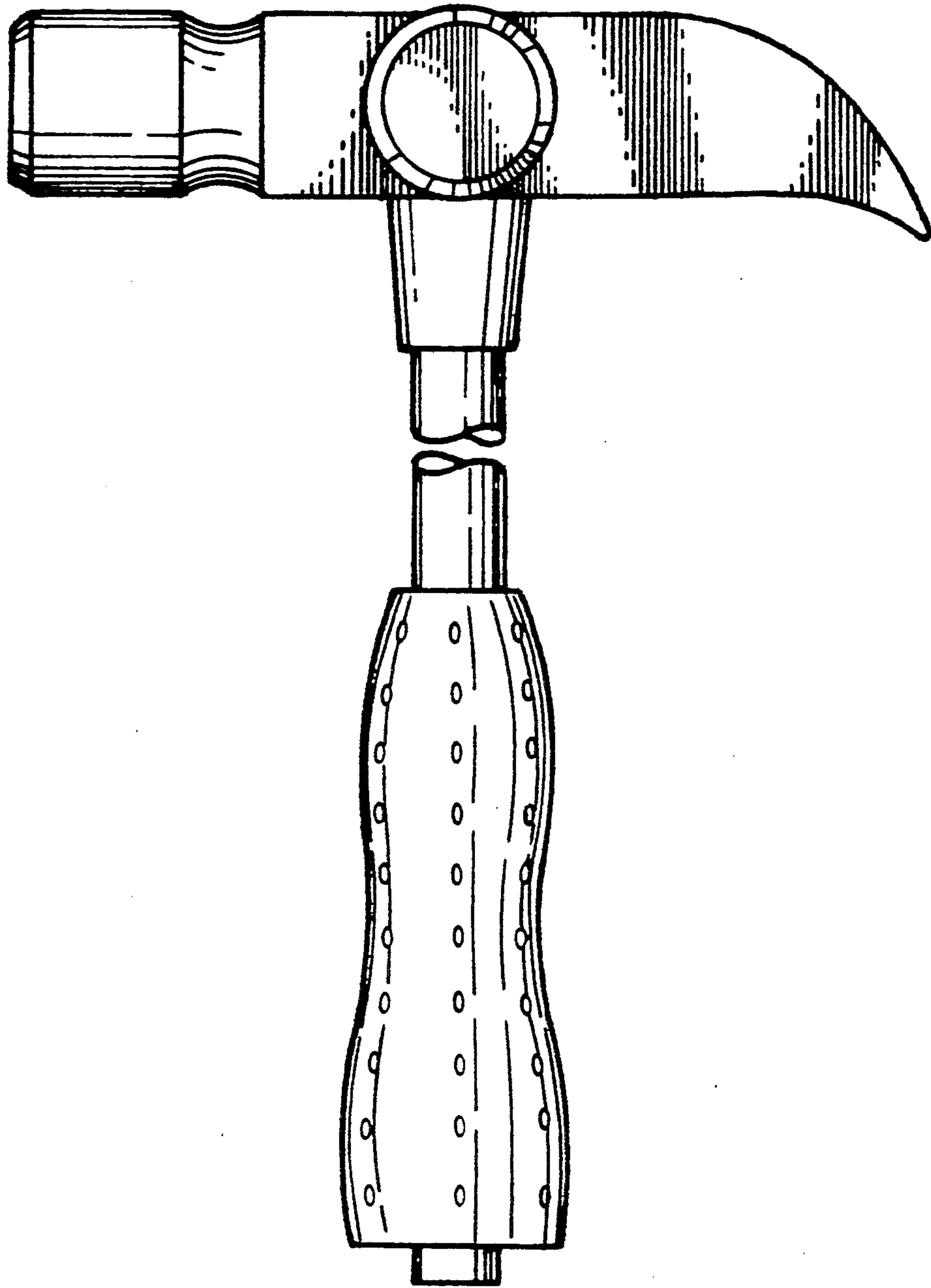


FIG. 7