



US00D327404S

United States Patent [19]

[11] Patent Number: **Des. 327,404**

Le Cornec

[45] Date of Patent: **** Jun. 30, 1992**

[54] **CLAMPING FRAME**

[76] Inventor: **Desmond L. Le Cornec**, 1 Amarino Drive, Red Beach, Hibiscus Coast, New Zealand

[**] Term: **14 Years**

[21] Appl. No.: **440,683**

[22] Filed: **Nov. 8, 1989**

[30] **Foreign Application Priority Data**

May 9, 1989 [NZ] New Zealand 22568

[52] U.S. Cl. **D8/71**

[58] Field of Search 248/124, 172, 670; 269/17, 59, 76, 152; 414/11, 10, 589, 590

[56] **References Cited**

U.S. PATENT DOCUMENTS

2,333,450 11/1943 Staley 248/172
3,030,103 4/1962 Allen et al. 269/17

3,149,810 9/1964 Paruolo 248/124
3,858,864 1/1975 Waldow 269/17
4,029,308 6/1977 Mathers 269/17
4,183,511 1/1980 Marek 269/17
4,234,155 11/1980 Destree 248/124
4,530,492 7/1985 Bork 269/17
4,560,151 12/1985 Grundy 269/17

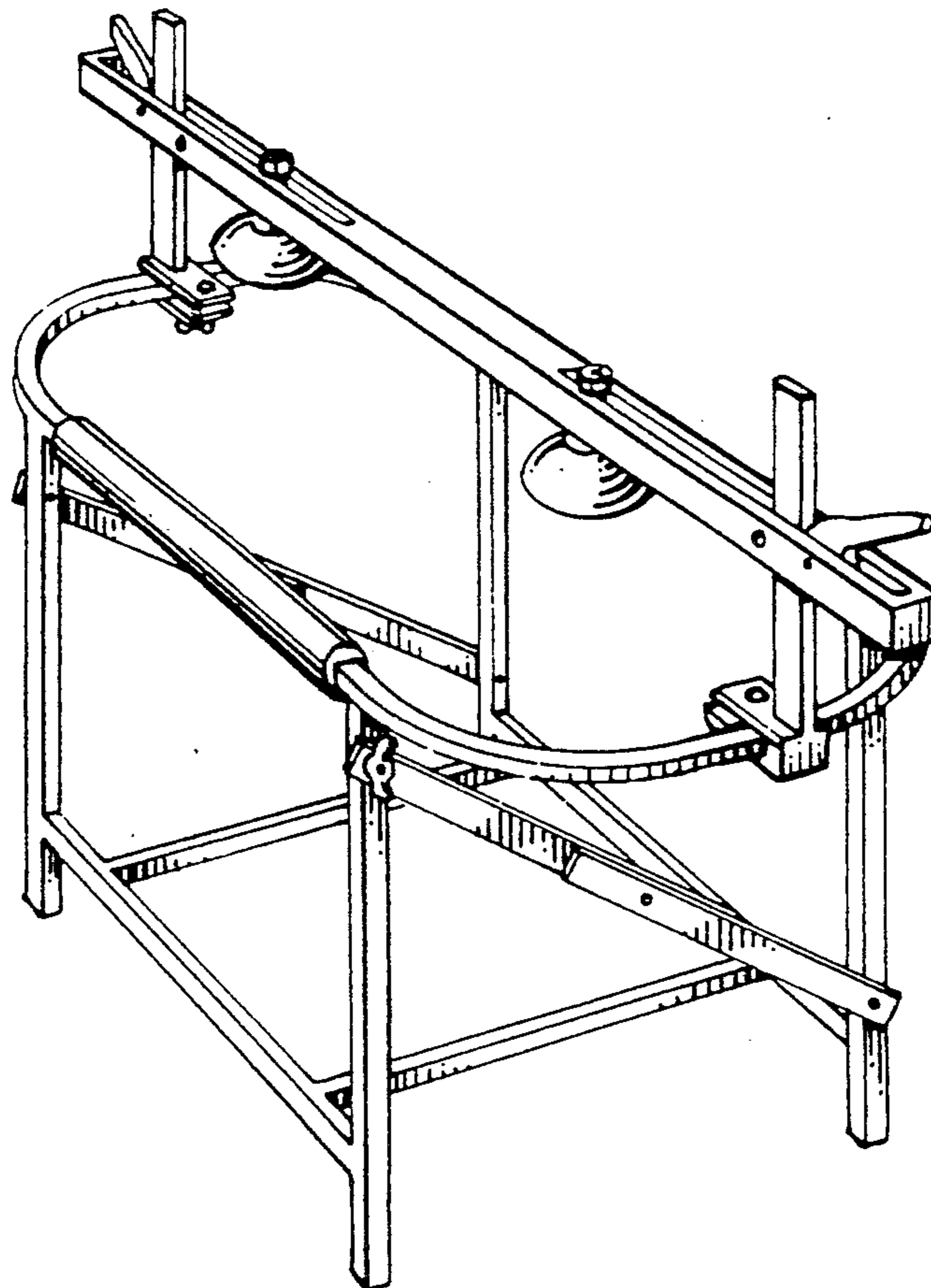
Primary Examiner—Nelson C. Holtje
Assistant Examiner—J. H. Musgrove

[57] **CLAIM**

The ornamental design for a clamping frame, as shown and described.

DESCRIPTION

FIG. 1 is a top, front and right-side perspective view showing my new design;
FIG. 2 is a top plan view;
FIG. 3 is a front elevational view, the rear view being a mirror image; and,
FIG. 4 is a right side elevational view, the left side elevational view being a mirror image thereof.



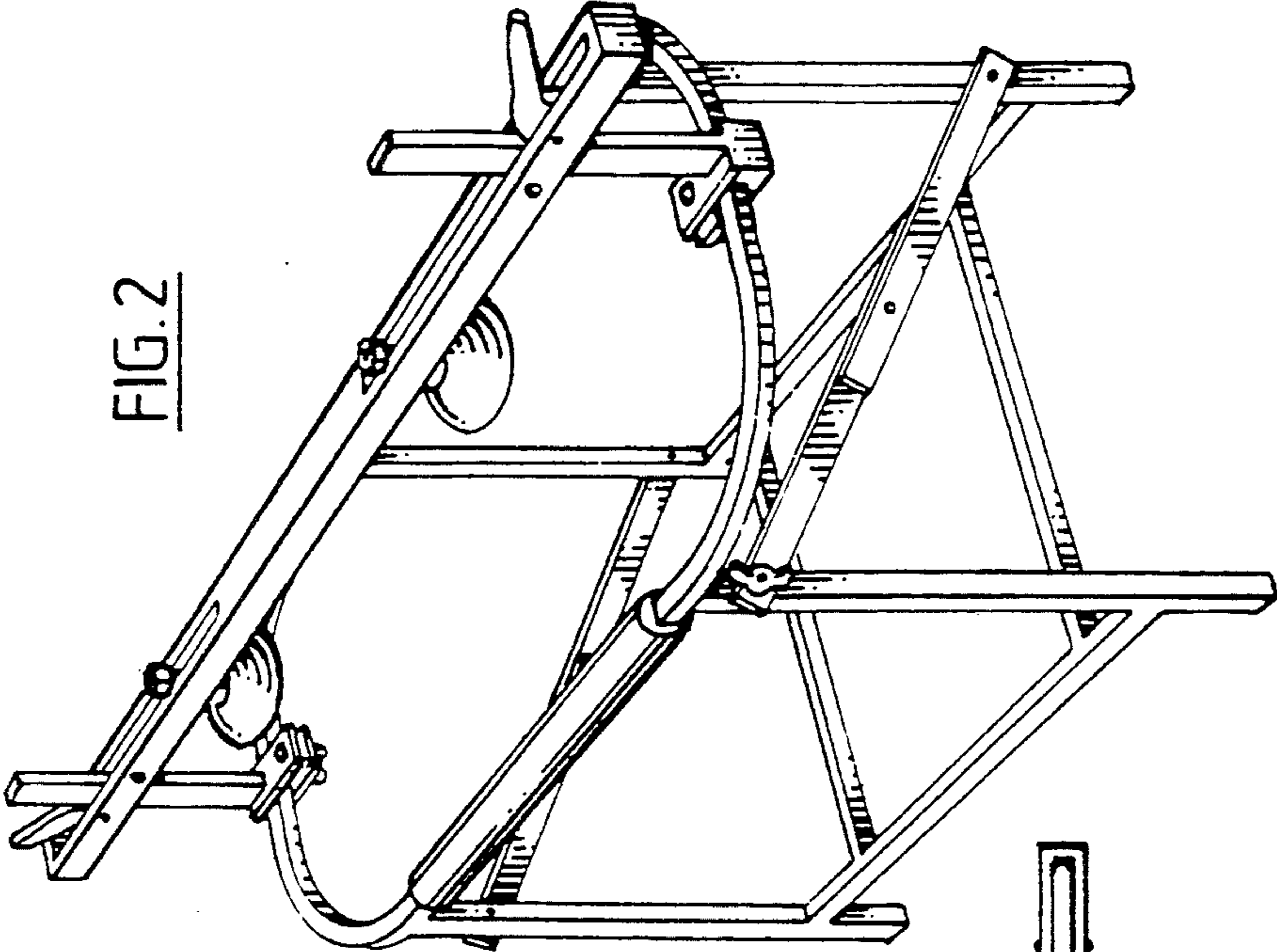


FIG. 2

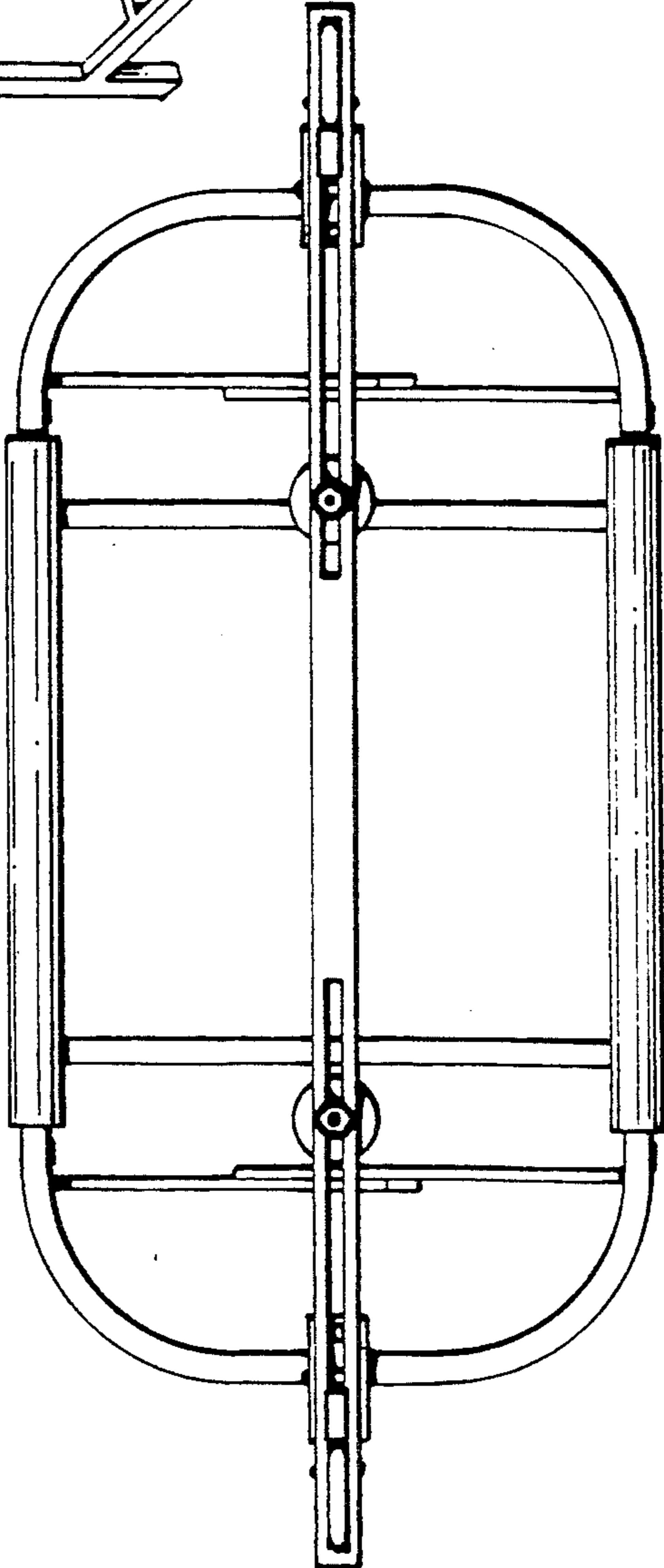


FIG. 1

FIG. 4

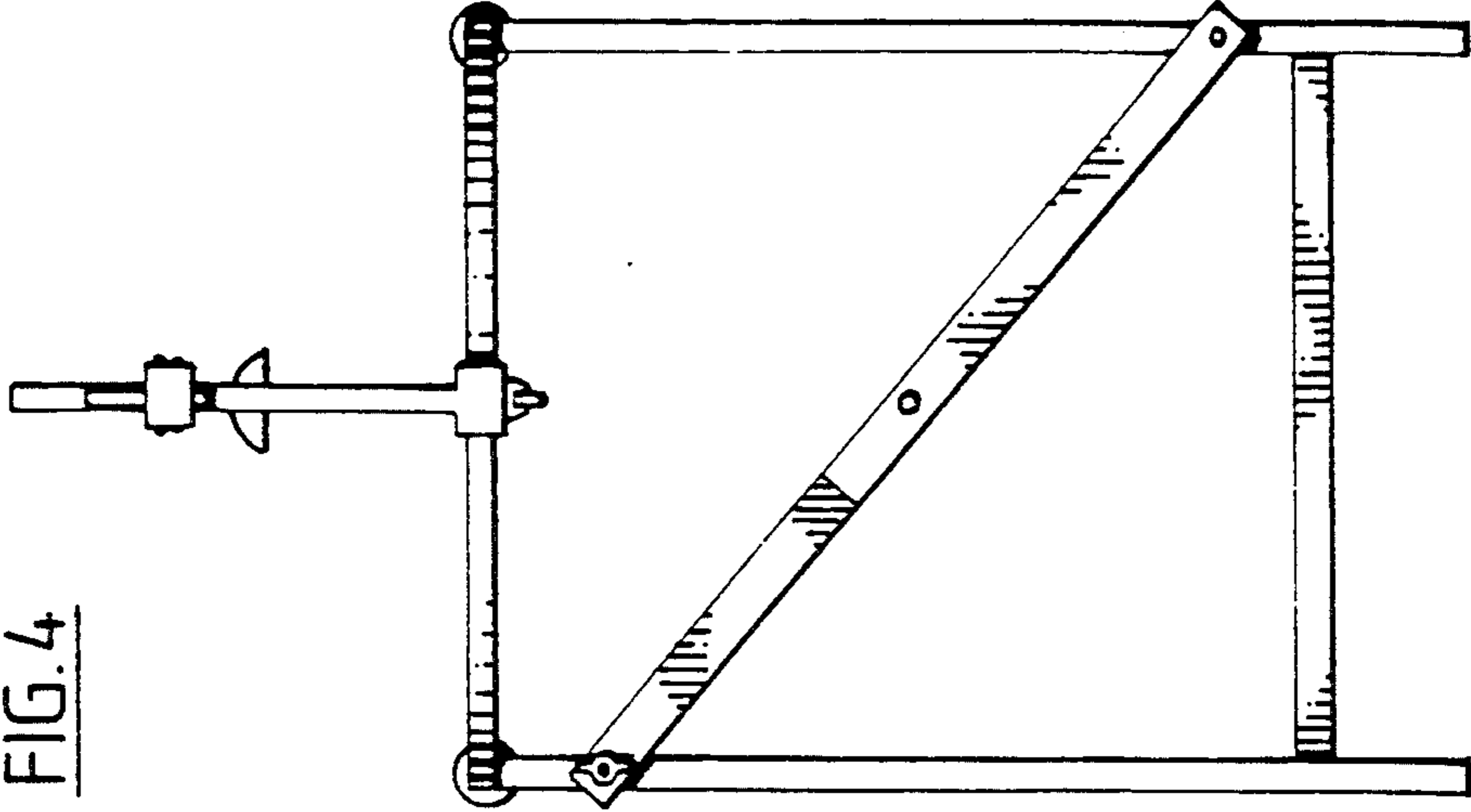


FIG. 3

