



US00D327403S

United States Patent [19]

[11] Patent Number: **Des. 327,403**

Shioiri et al.

[45] Date of Patent: **** Jun. 30, 1992**

[54] **FILM SPLICER**

4,082,600 4/1978 Hanke 156/505

[75] Inventors: **Shigeo Shioiri, Abiko; Kunio Kanda, Noda; Yuzo Otomine, Kawasaki**, all of Japan

OTHER PUBLICATIONS

Neumade Products Corp. Catalog.

[73] Assignee: **Somar Corporation, Tokyo, Japan**

Primary Examiner—Bernard Ansher

Assistant Examiner—Adir Aronovich

[**] Term: **14 Years**

Attorney, Agent, or Firm—Sughrue, Mion, Zinn

Macpeak & Seas

[21] Appl. No.: **434,058**

[57] CLAIM

[22] Filed: **Nov. 9, 1989**

The ornamental design for a film splicer, as shown and described.

[30] Foreign Application Priority Data

May 12, 1989 [JP] Japan 1-17434

[52] U.S. Cl. **D8/70.1; D16/250**

[58] Field of Search **D16/246-250; D8/70.1; 156/502, 505, 506, 509**

DESCRIPTION

FIG. 1 is a front, top and left side perspective view of a film splicer showing our new design, in closed, film splicing condition;

FIG. 2 is a front elevational view thereof;

FIG. 3 is a top plan view thereof;

FIG. 4 is a rear elevational view thereof;

FIG. 5 is a bottom plan view thereof;

FIG. 6 is a right side elevational view thereof;

FIG. 7 is a left side elevational view thereof; and,

FIG. 8 is a perspective view thereof in open condition.

[56] References Cited

U.S. PATENT DOCUMENTS

D. 247,676 4/1978 Nakahata D8/70.1

2,611,723 9/1952 Aboltin 156/509

3,290,201 12/1966 Jorgensen 156/505

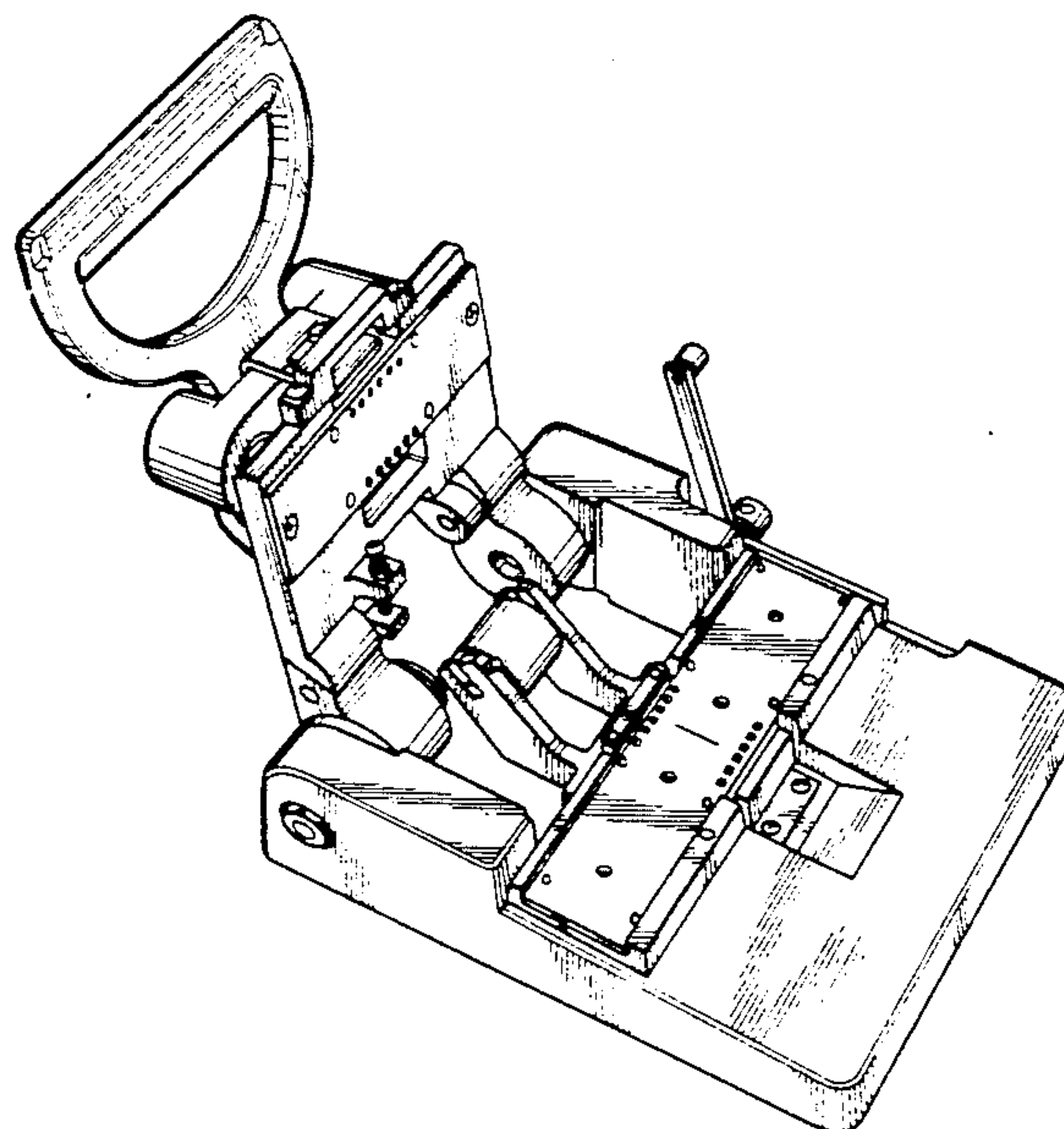
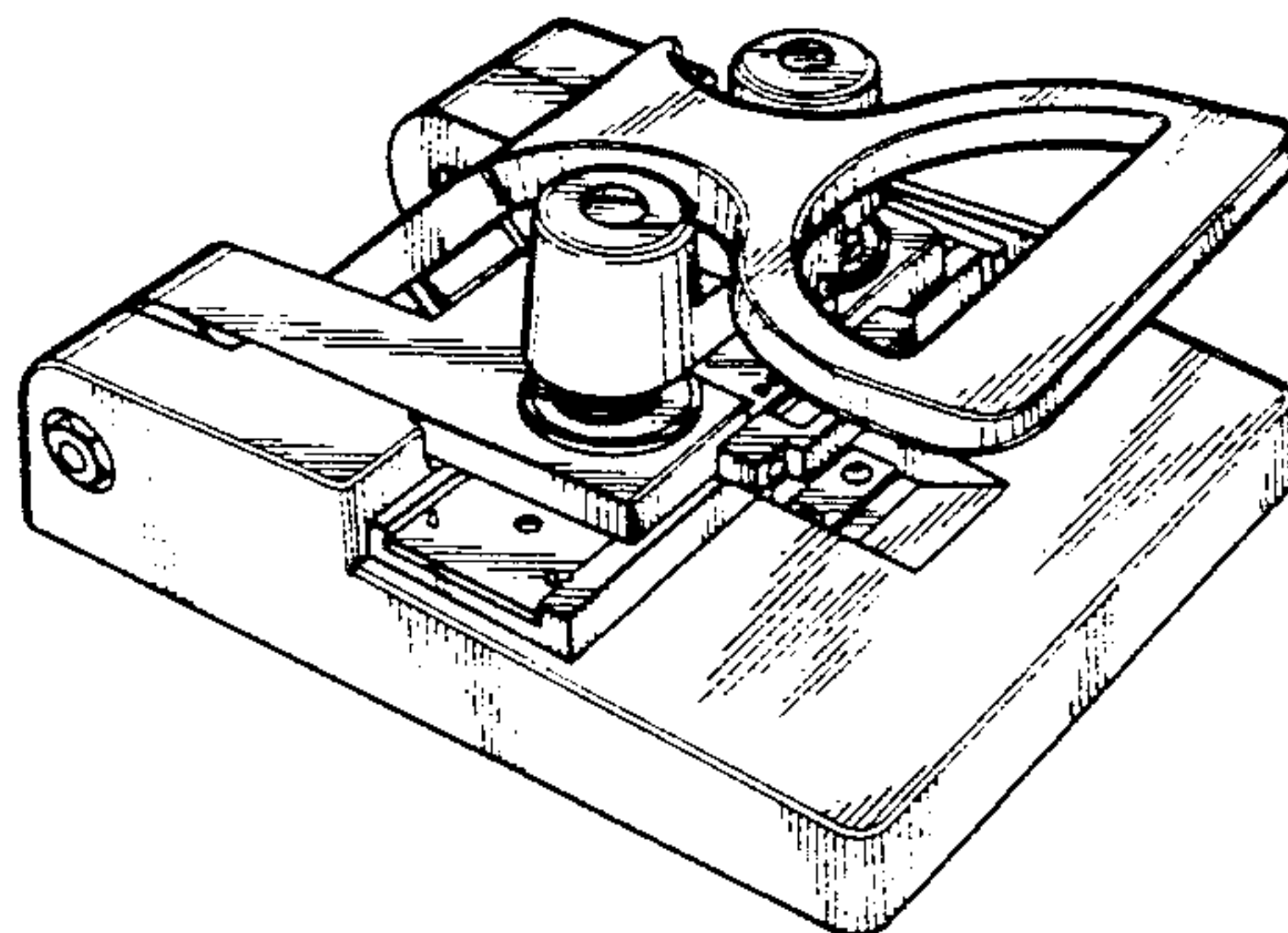


Fig. 1

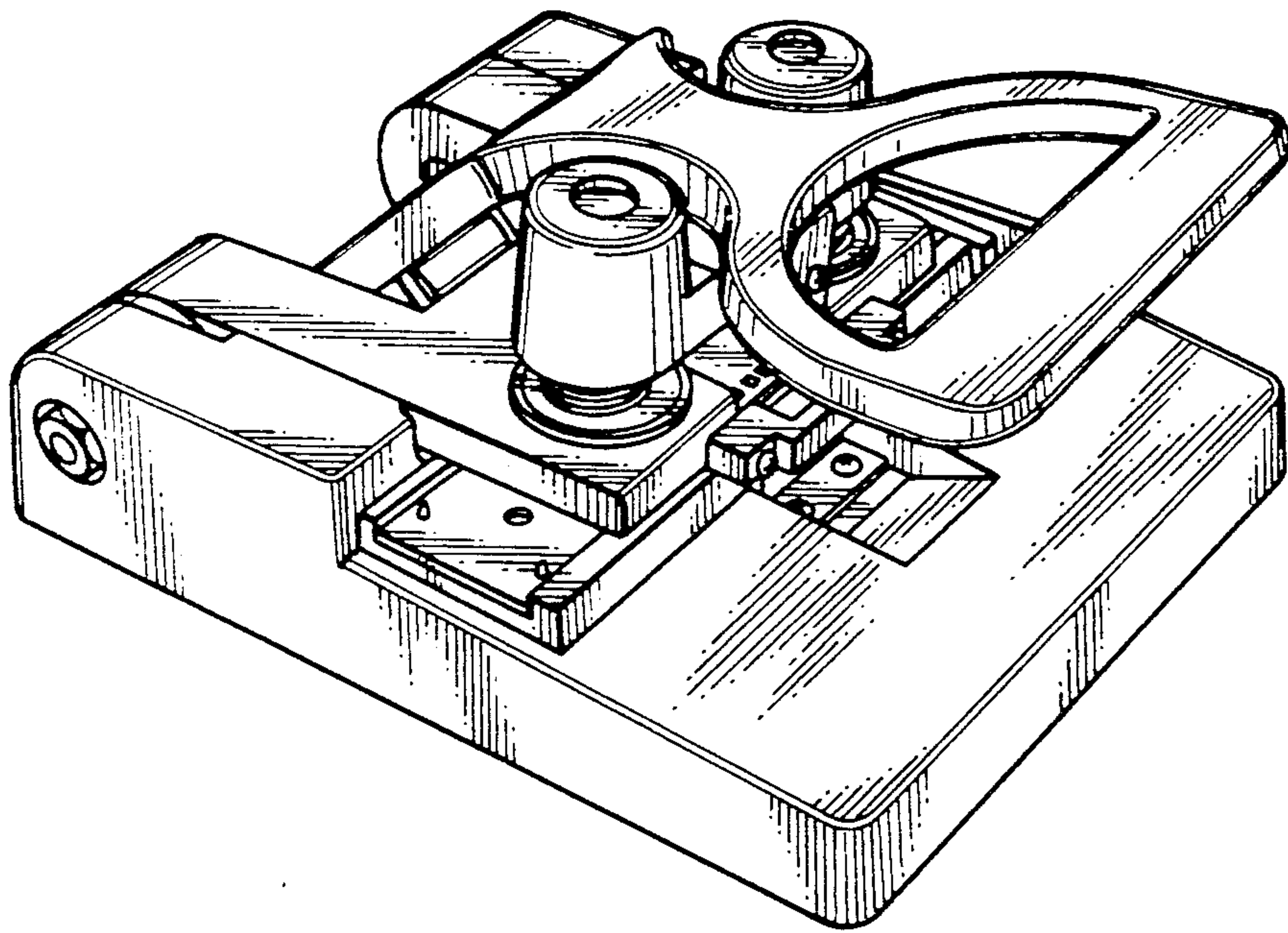


Fig. 2

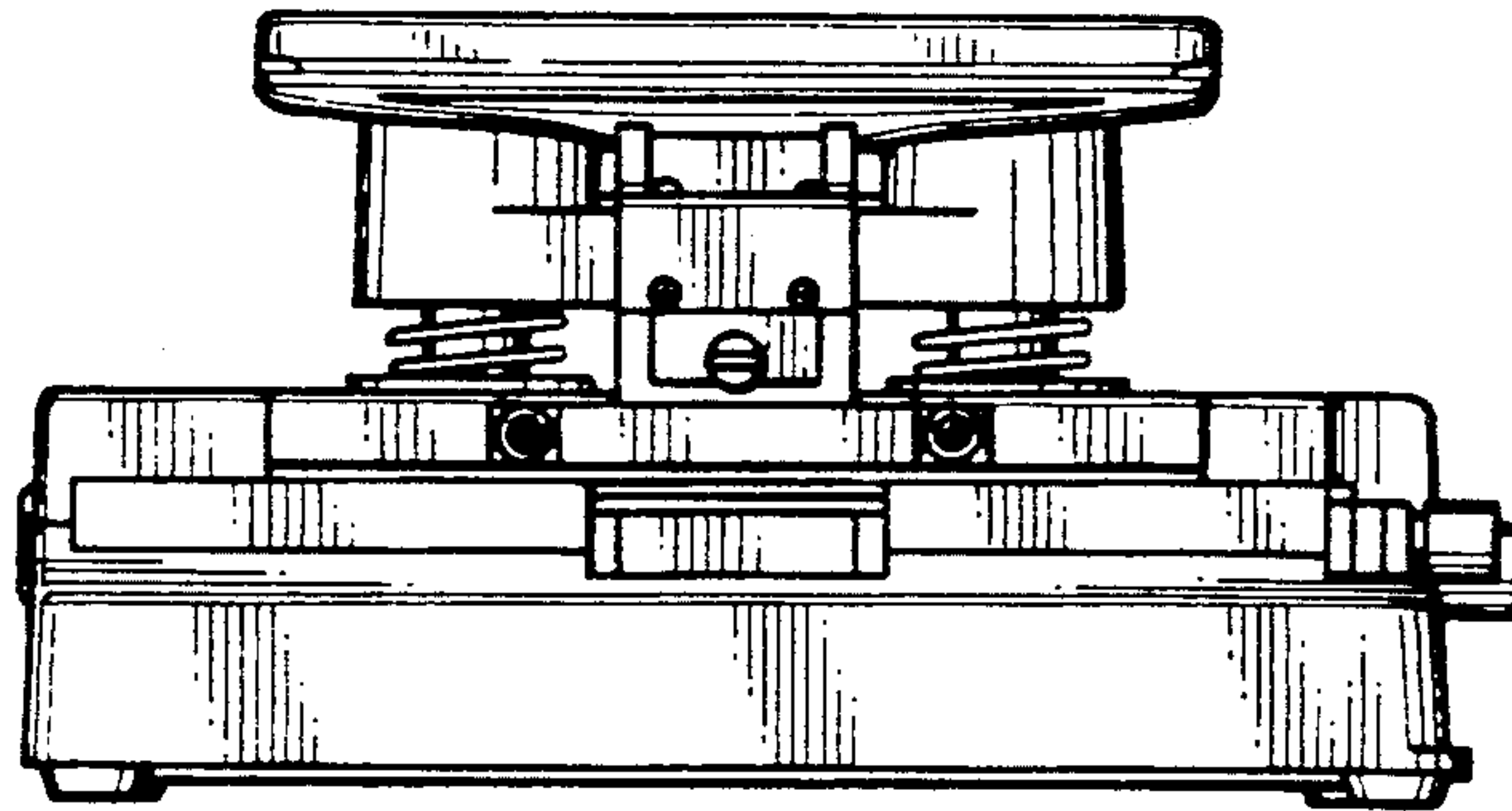


Fig. 3

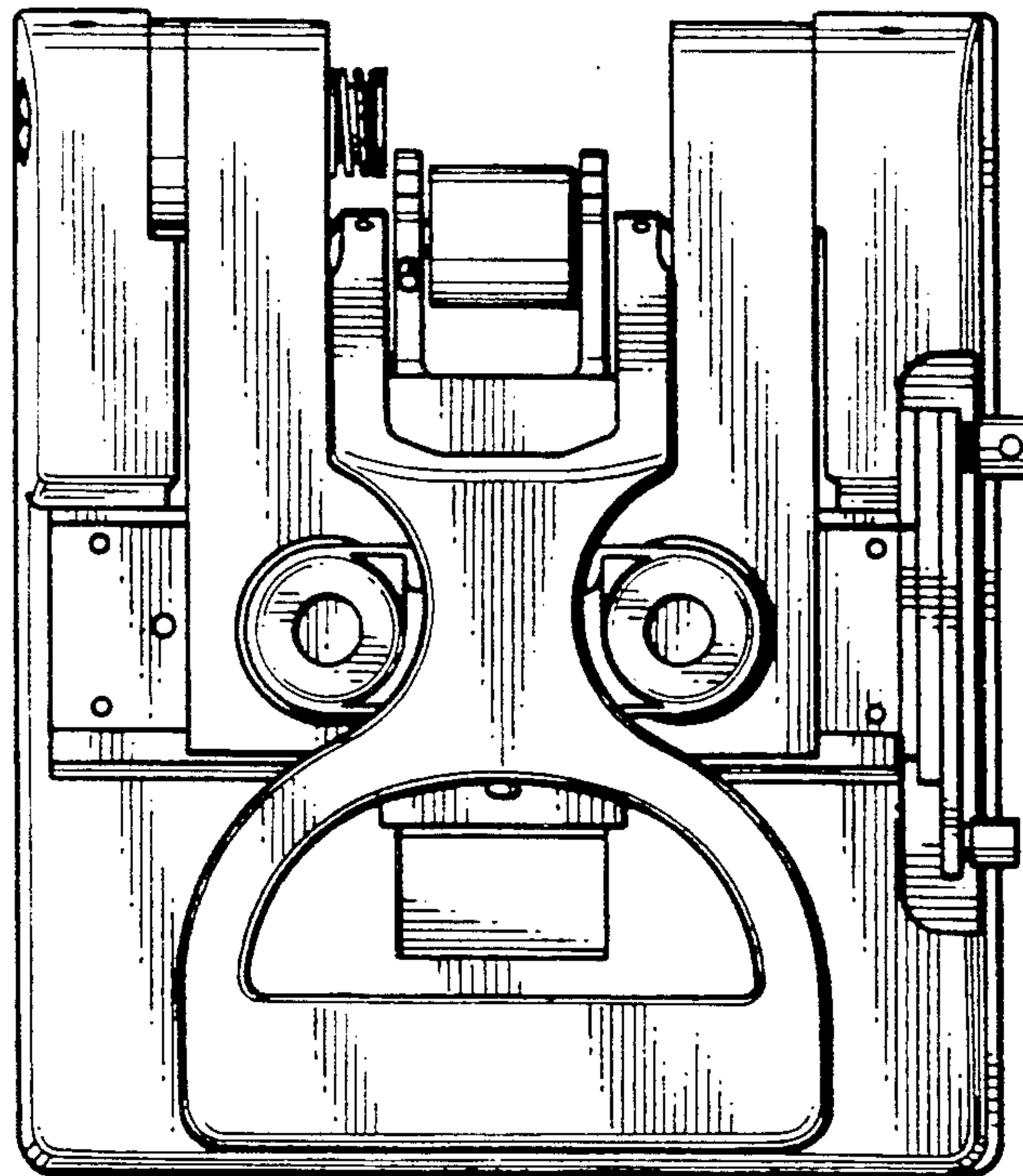


Fig.4

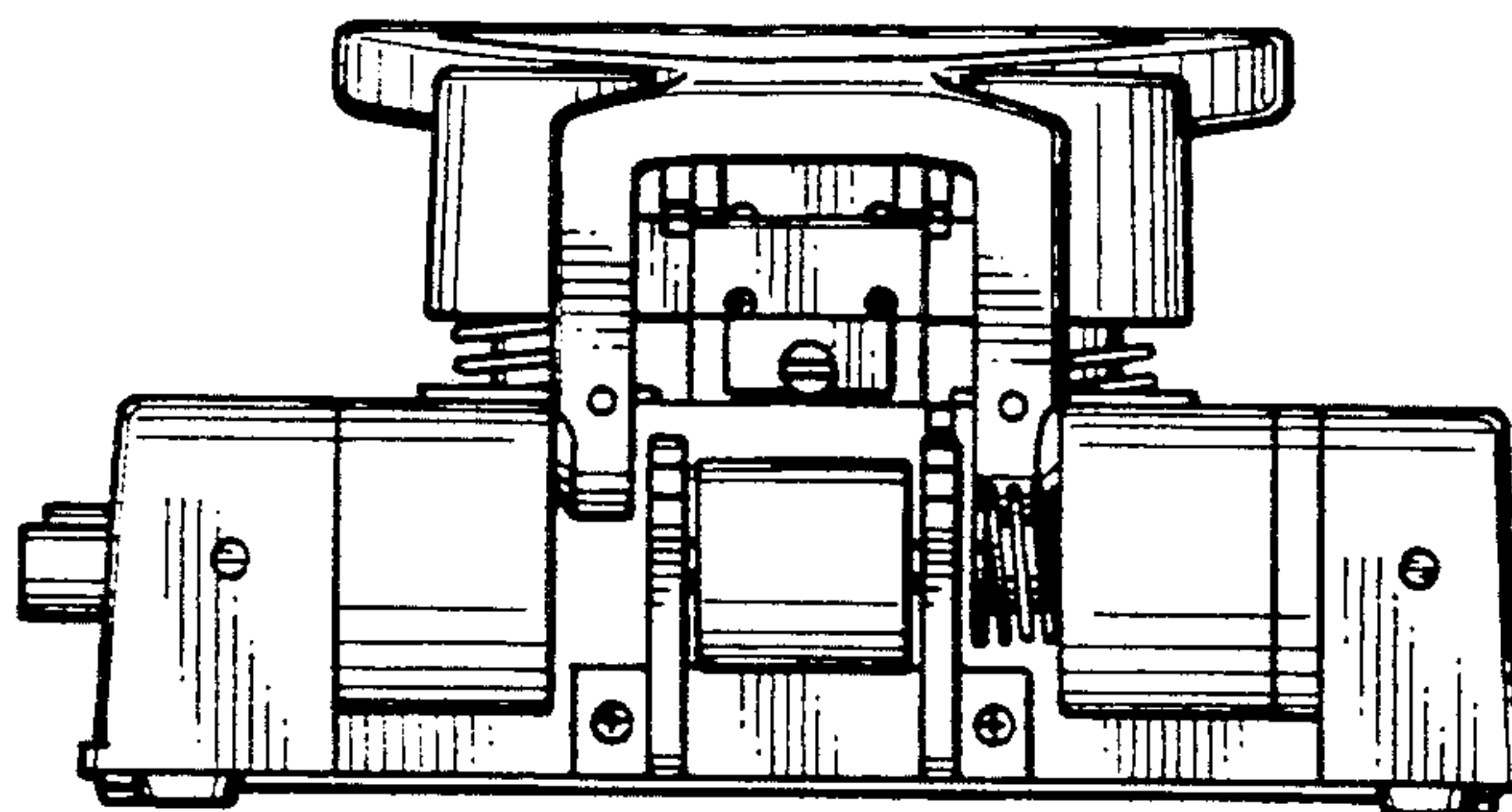


Fig.5

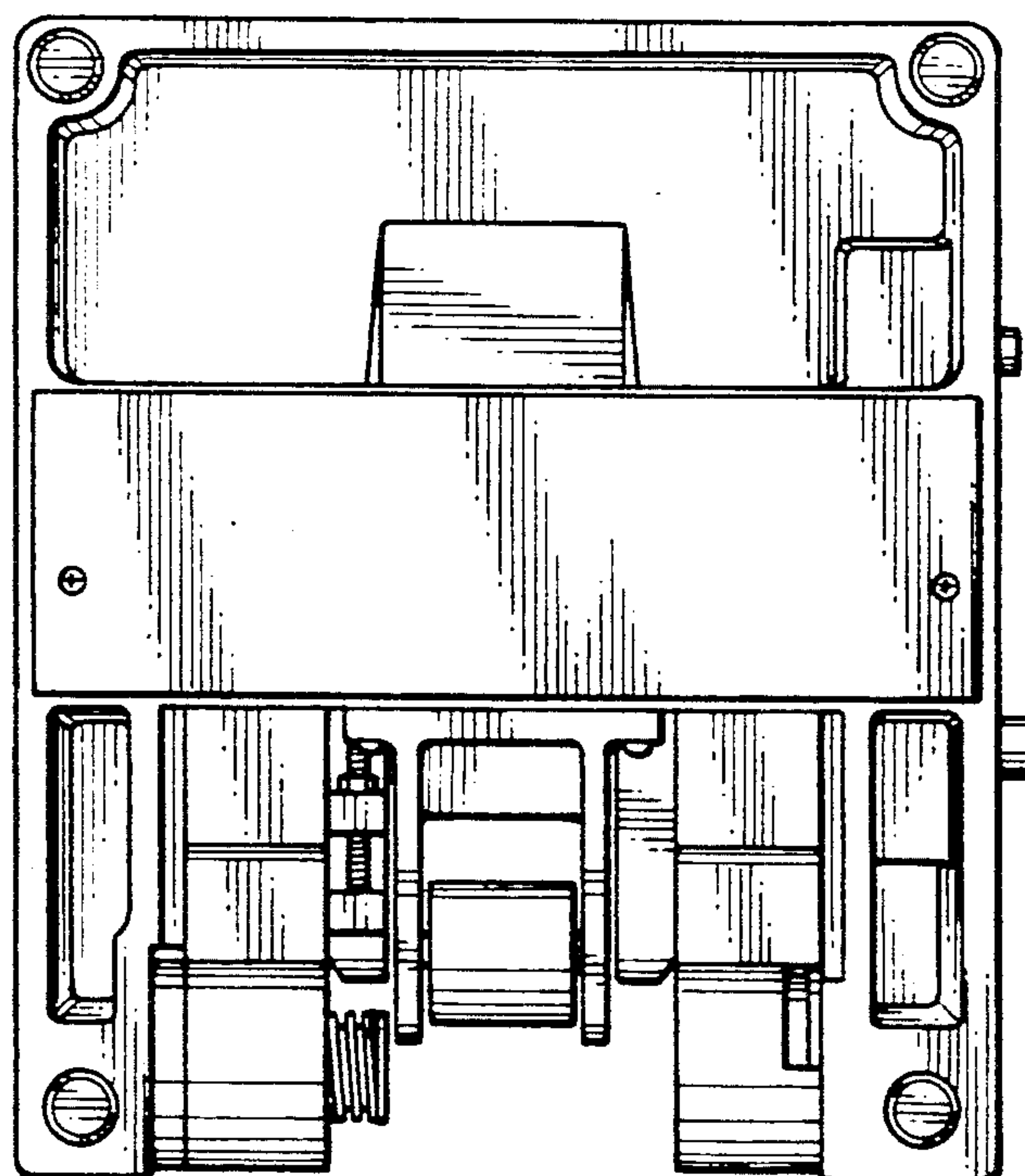


Fig.6

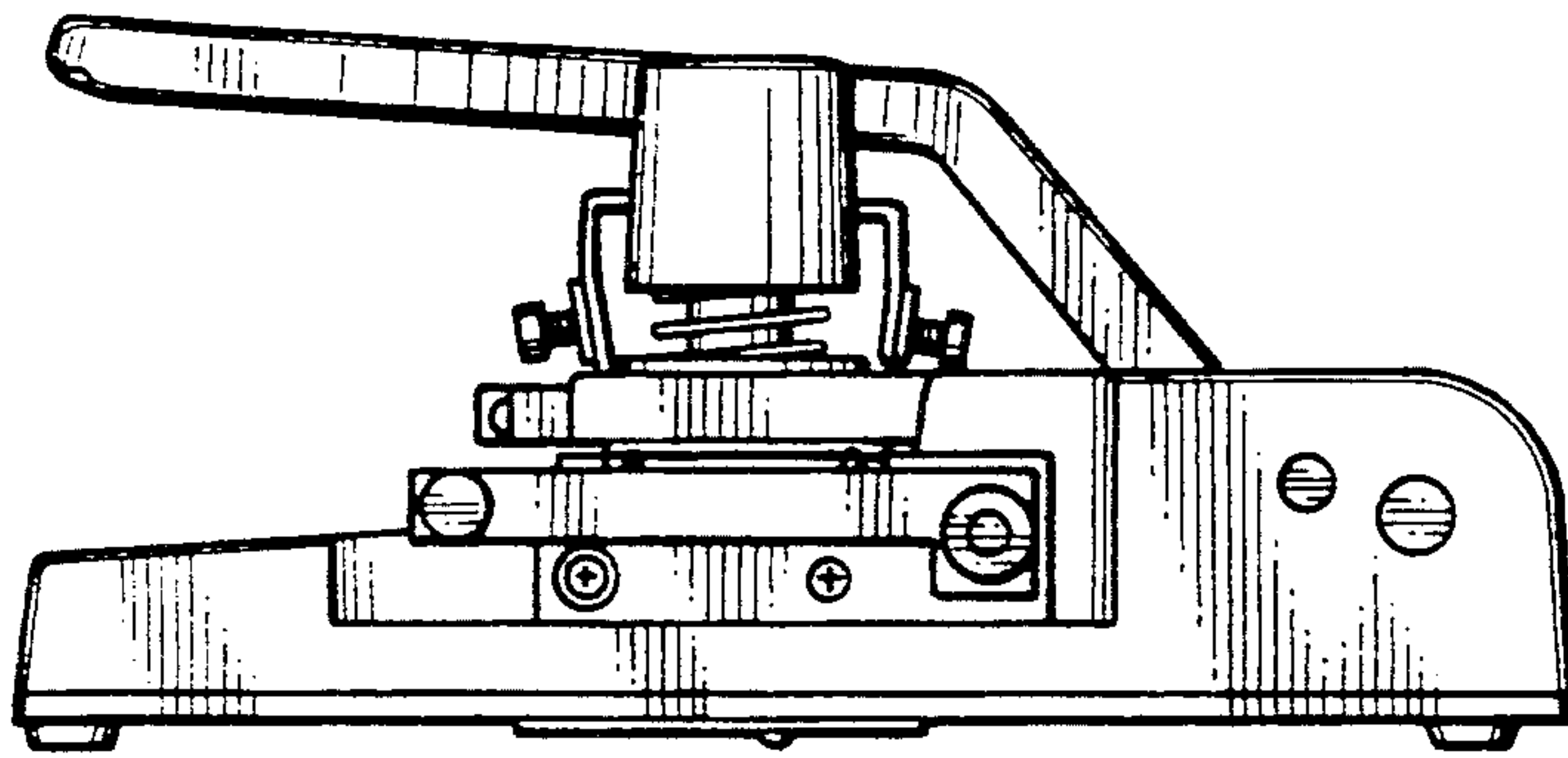


Fig.7

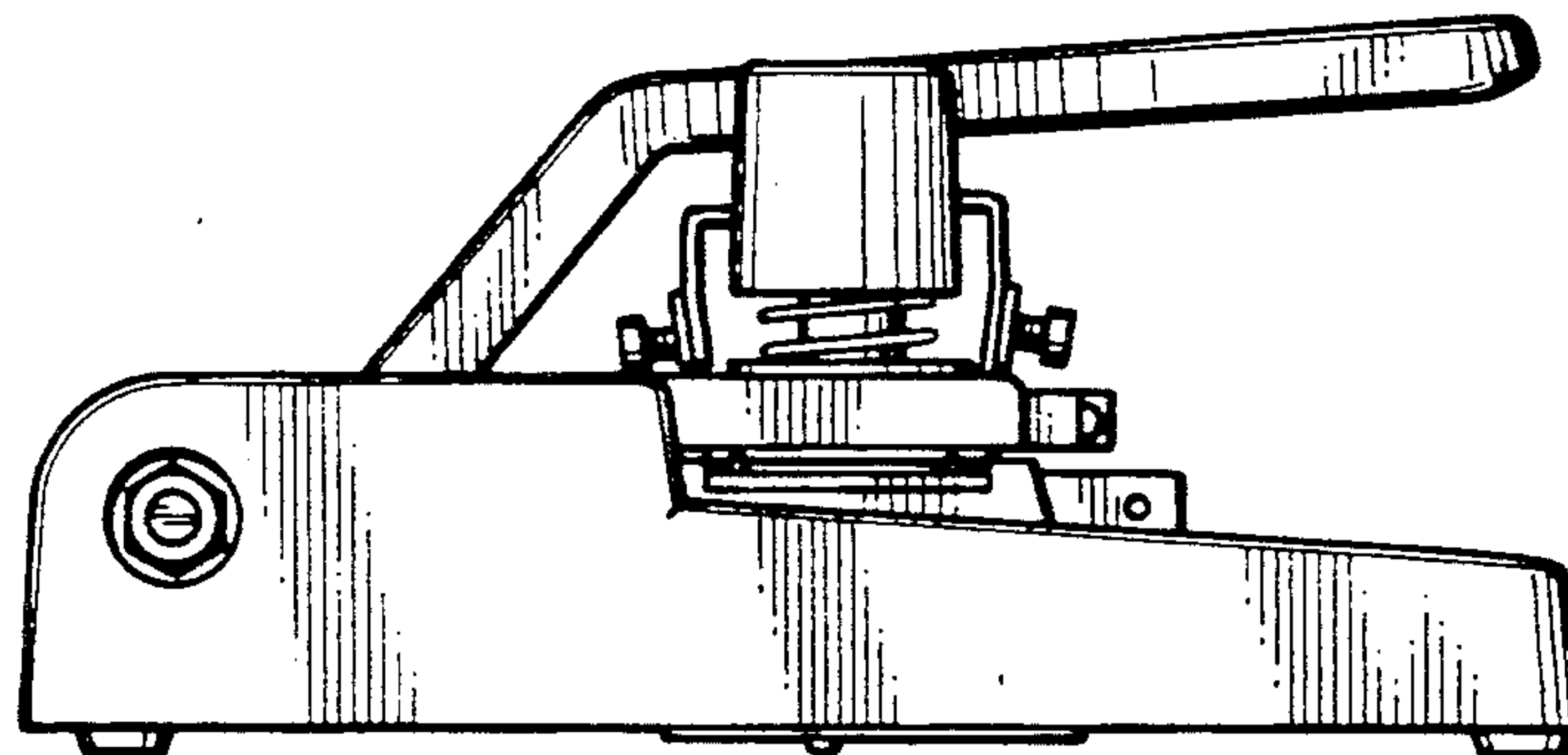


Fig.8

