



US00D327400S

United States Patent [19]

[11] Patent Number: **Des. 327,400**

Fushiya et al.

[45] Date of Patent: **** Jun. 30, 1992**

[54] **PORTABLE ELECTRIC DRILL**

[75] Inventors: **Fusao Fushiya; Michio Okumura,**
both of Anjo, Japan

[73] Assignee: **Makita Electric Works, Ltd.,** Anjo,
Japan

[**] Term: **14 Years**

[21] Appl. No.: **492,879**

[22] Filed: **Mar. 13, 1990**

[52] U.S. Cl. **D8/69**

[58] Field of Search **D8/61, 68, 69; 81/54,**
81/57, 57.11, 57.14, 429; 173/163, 170;
408/124, 125

4,353,425 10/1982 Simpson 173/109
 4,770,254 9/1988 Kominami 173/109
 4,930,583 6/1990 Fushiya et al. 173/170

Primary Examiner—Donald P. Walsh
Assistant Examiner—J. H. Musgrove
Attorney, Agent, or Firm—Dennison, Meserole, Pollack
 & Scheiner

[57] CLAIM

The ornamental design for a portable electric drill, as shown and described.

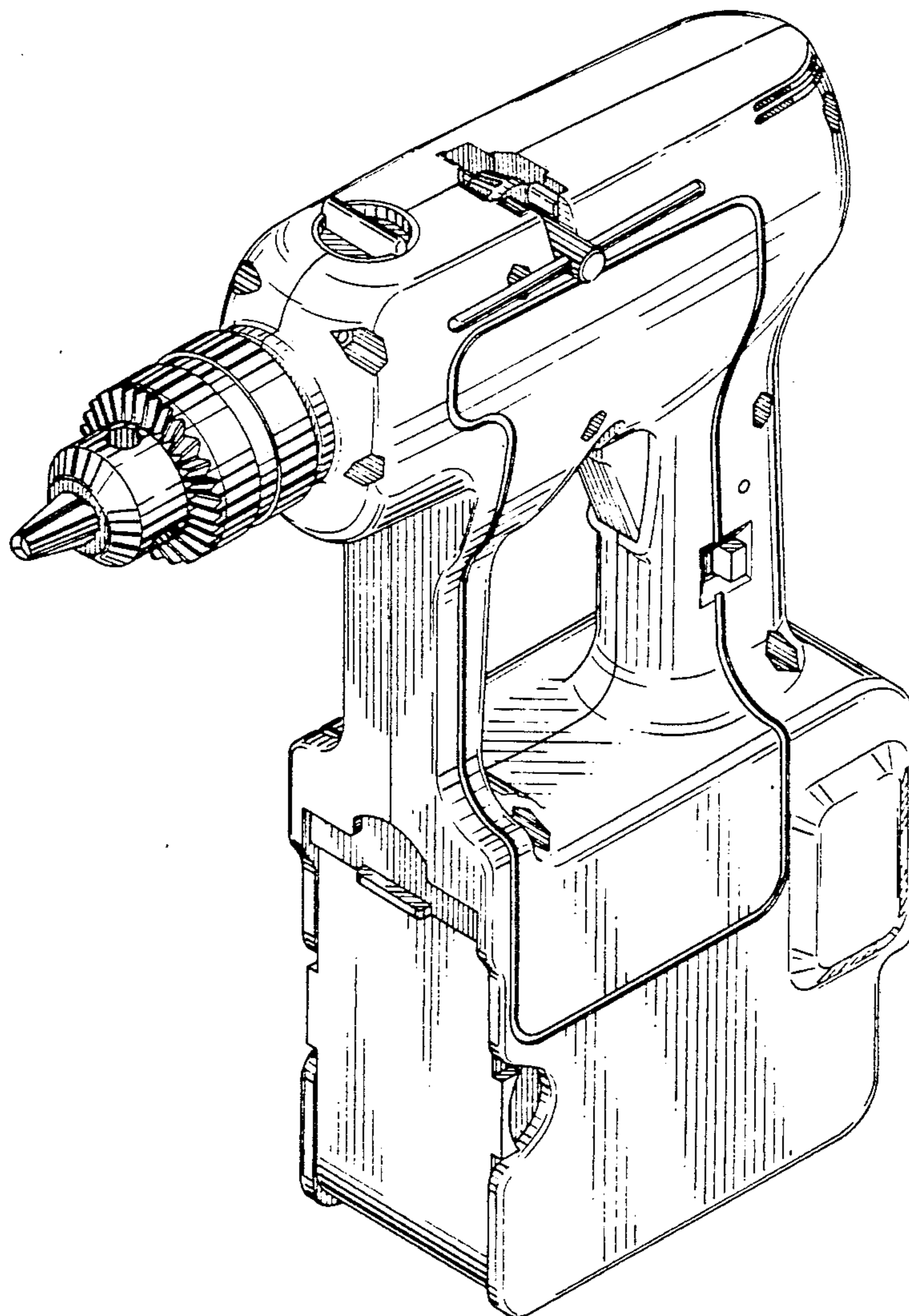
DESCRIPTION

FIG. 1 is a top, front and right side perspective view of a portable electric drill showing our new design; FIG. 2 is a front elevational view thereof; FIG. 3 is a rear elevational view thereof; FIG. 4 is a left side elevational view thereof; FIG. 5 is a right side elevational view thereof; FIG. 6 is a top plan view thereof; and, FIG. 7 is a bottom plan view thereof.

[56] **References Cited**

U.S. PATENT DOCUMENTS

D. 301,300 5/1989 Sasaki et al. D8/69
 D. 310,936 10/1990 Saito et al. D8/69
 4,346,767 8/1982 Vaughan 173/109



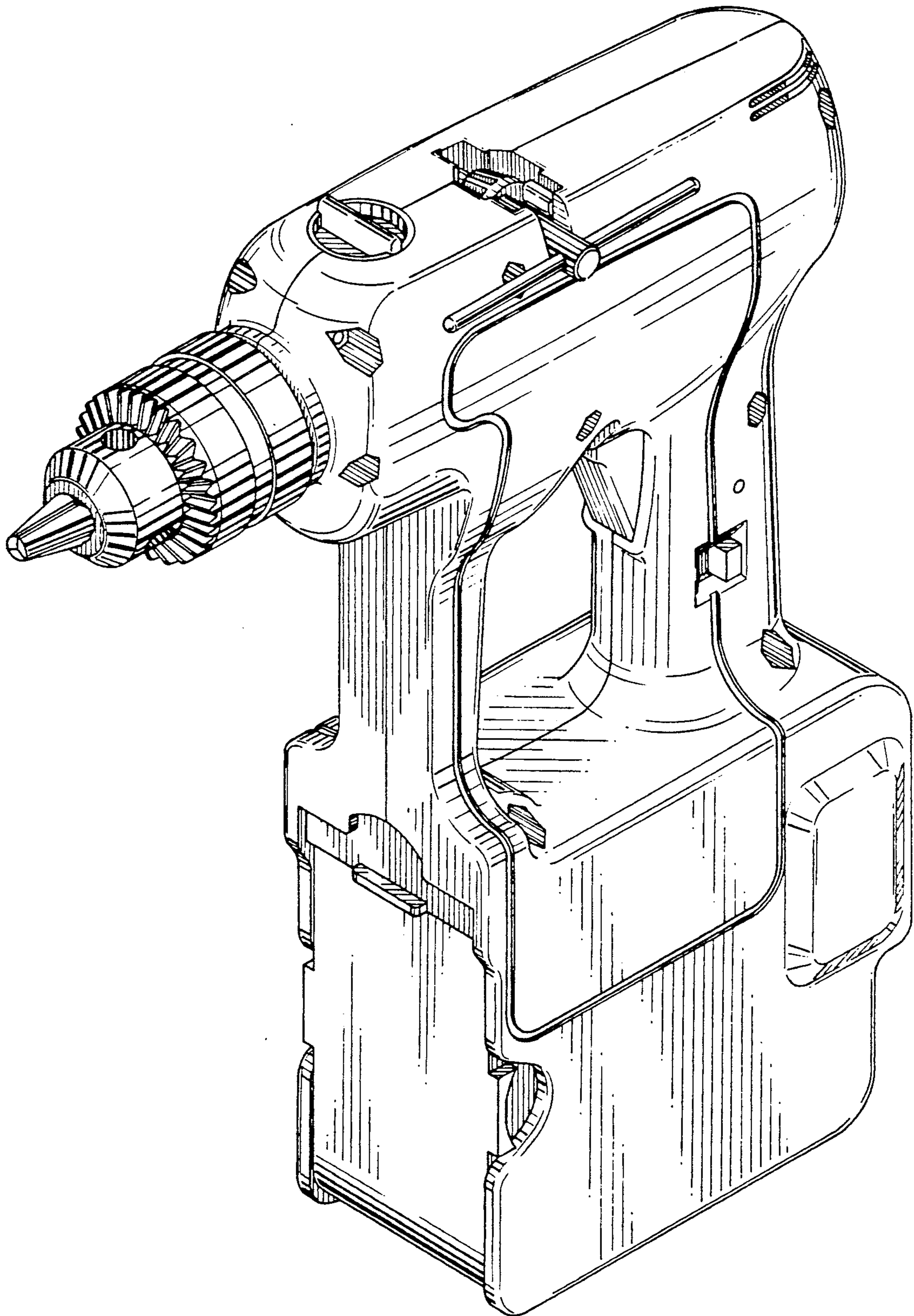


FIG. 1

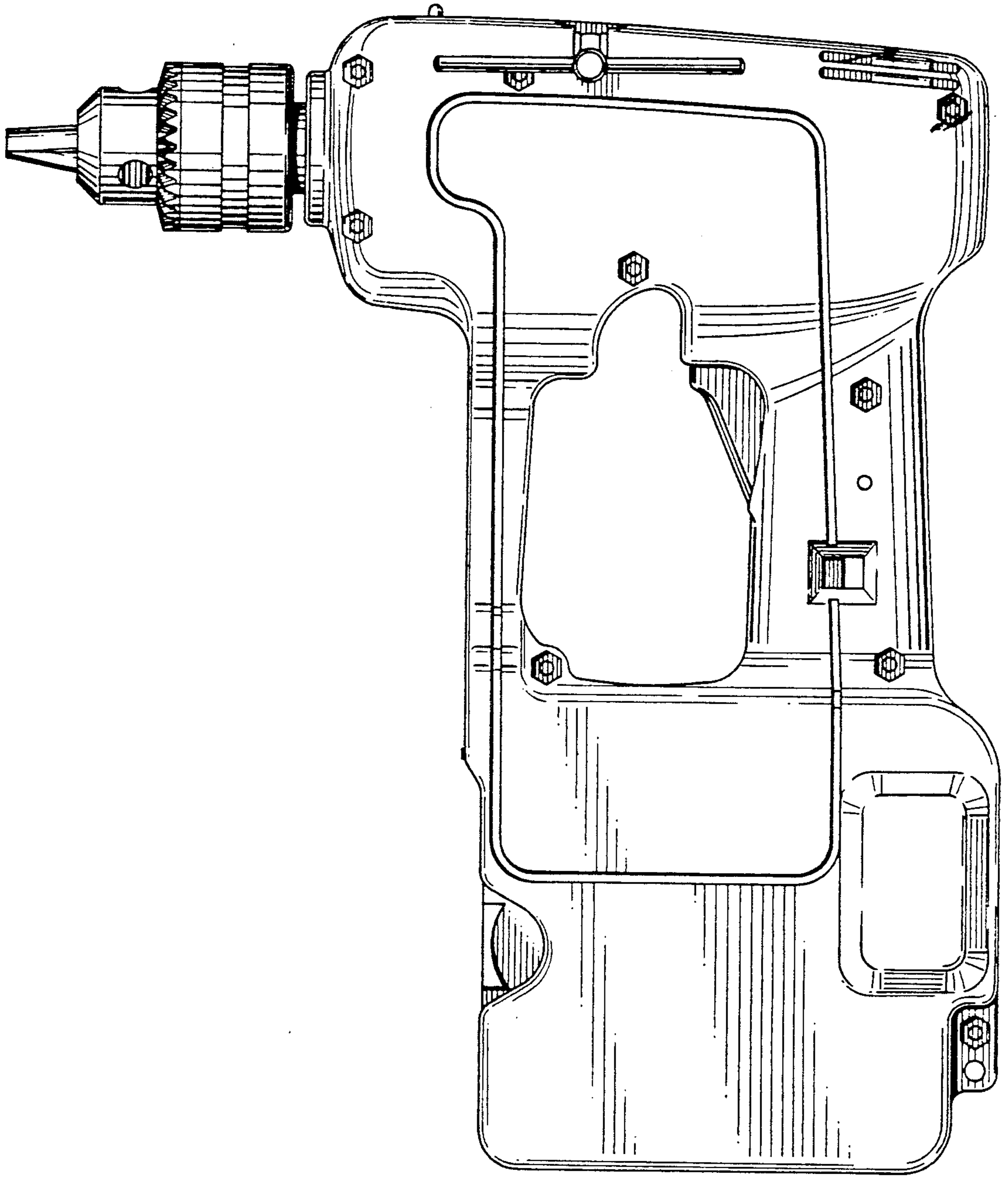


FIG. 2

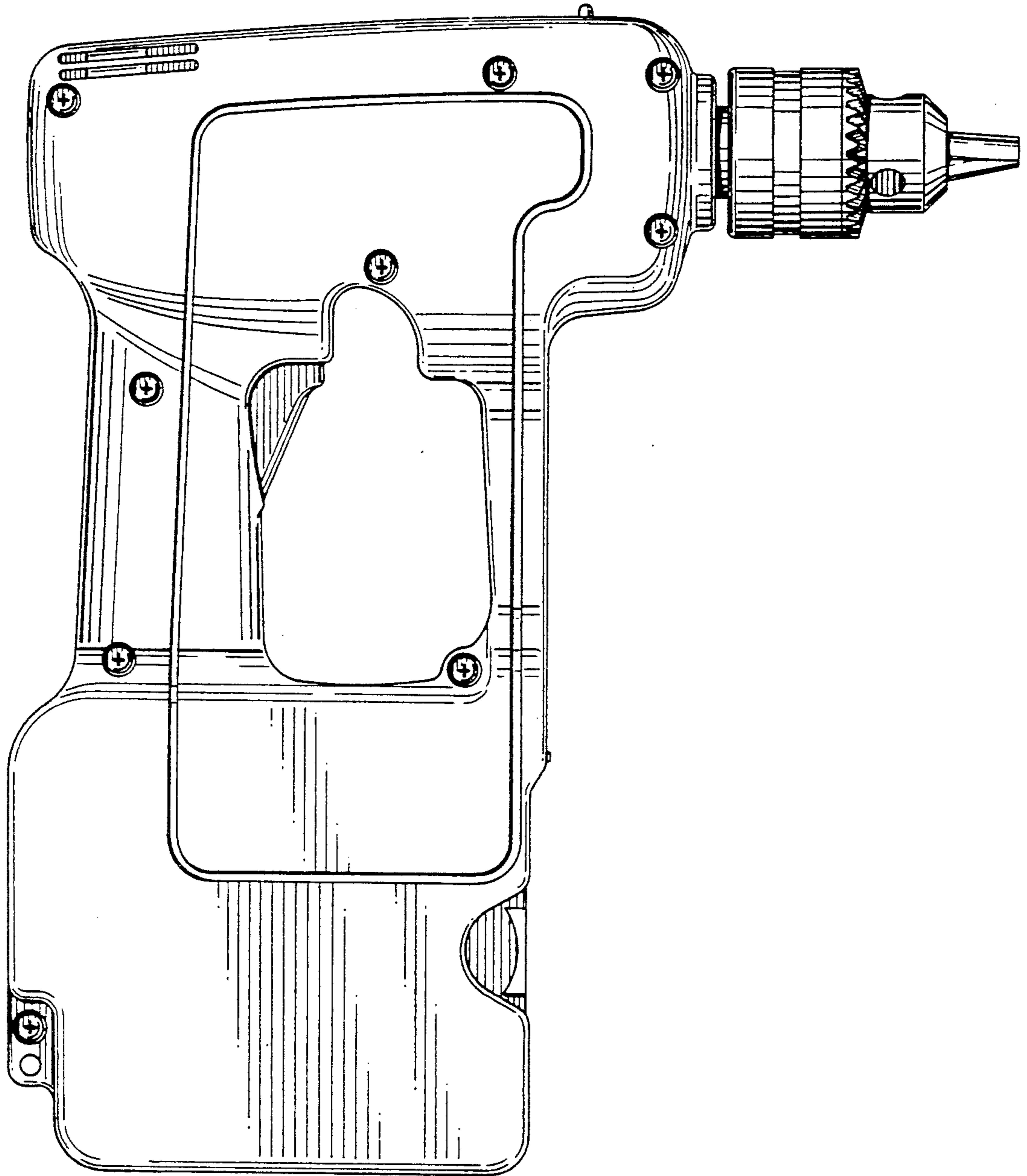


FIG. 3

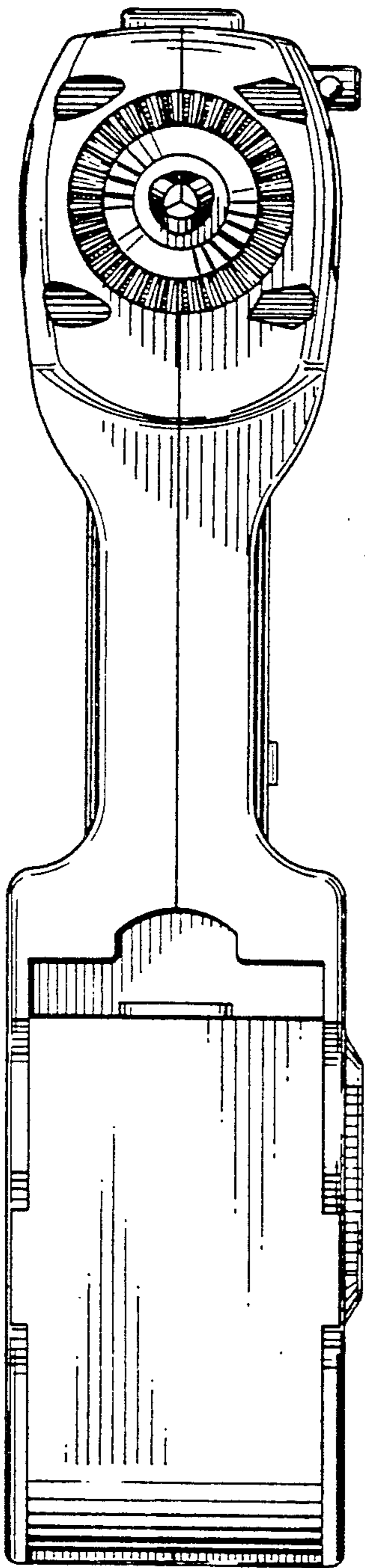


FIG. 4

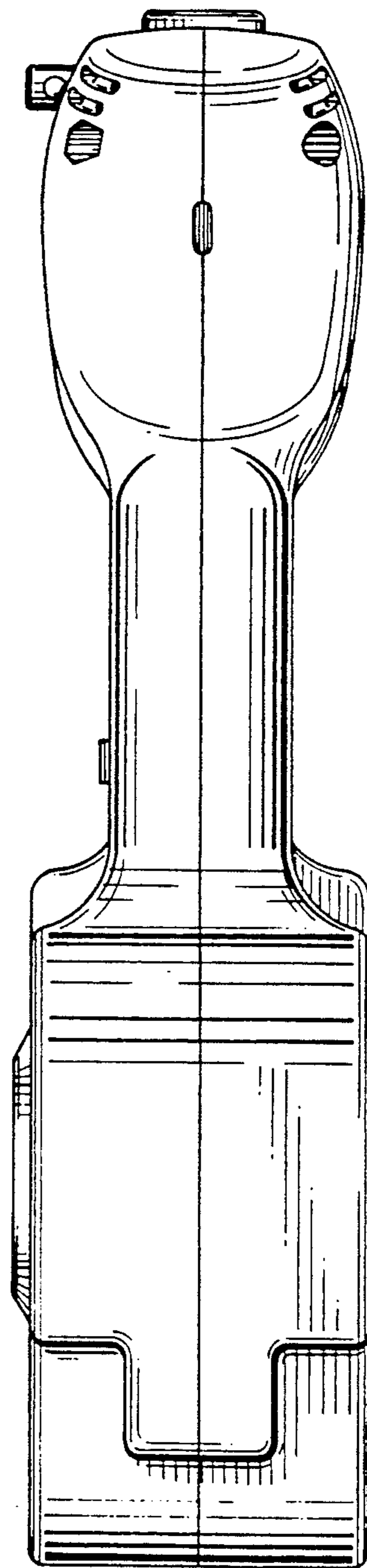


FIG. 5

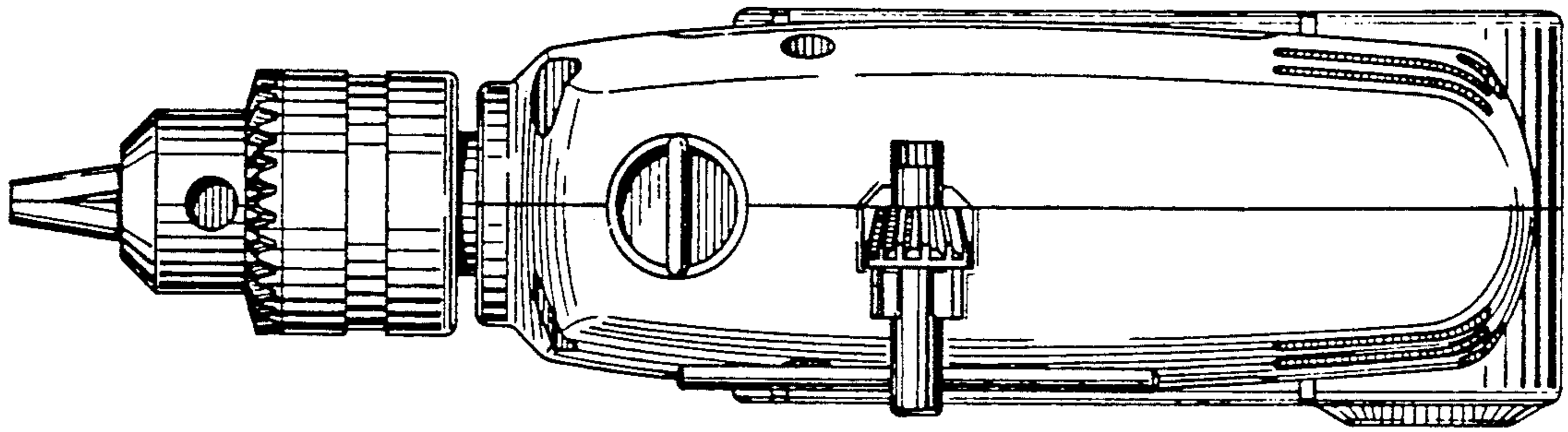


FIG. 6

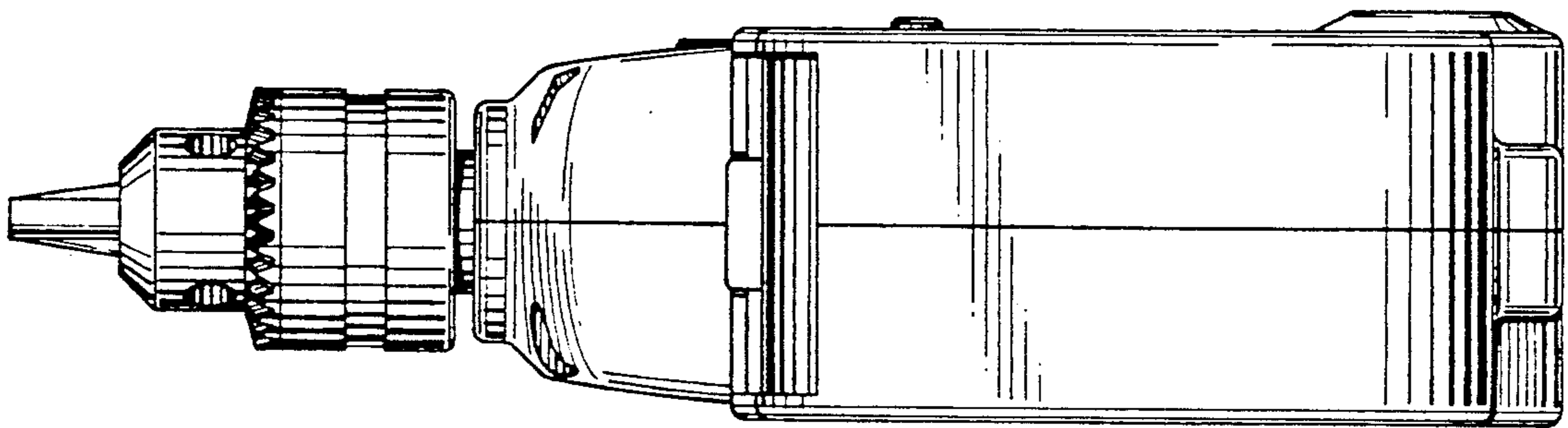


FIG. 7