



US00D327399S

# United States Patent [19]

[11] Patent Number: **Des. 327,399**

Cox

[45] Date of Patent: **\*\* Jun. 30, 1992**

[54] BEARING PACKER

[76] Inventor: **Richard W. Cox**, P.O. Box 731,  
Gering, Nebr. 69341

[\*\*] Term: **14 Years**

[21] Appl. No.: **528,465**

[22] Filed: **May 25, 1990**

[52] U.S. Cl. .... **D8/51; D8/14.1**

[58] Field of Search ..... **D8/54, 51, 14.1;**  
**D15/150; 184/5.1, 7.4, 26; 29/51, 52**

2,699,839 1/1955 Hamel ..... 184/5.1  
 2,729,305 1/1956 Hamel ..... 184/5.1  
 2,873,817 2/1959 Gerber ..... 184/5.1  
 2,968,362 1/1961 Elliott ..... 184/5.1

*Primary Examiner*—Bernard Ansher  
*Assistant Examiner*—Philip Hyder  
*Attorney, Agent, or Firm*—Timmons & Kelly

[57] **CLAIM**

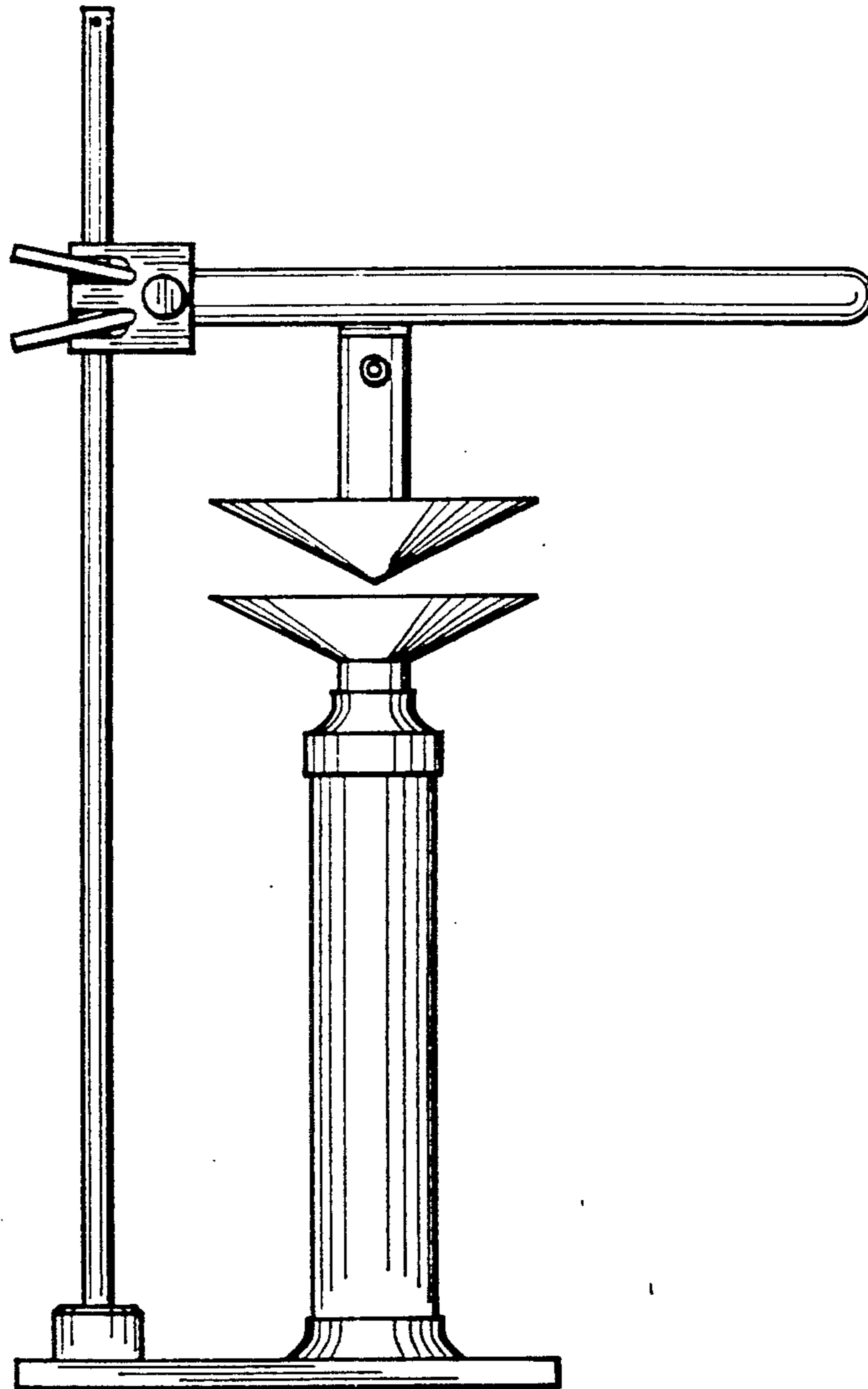
The ornamental design for a bearing packer, as shown.

**DESCRIPTION**

FIG. 1 is a front elevational view of a bearing packer showing my new design;  
 FIG. 2 is a rear elevational view thereof;  
 FIG. 3 is a left side elevational view thereof;  
 FIG. 4 is a right side elevational view thereof;  
 FIG. 5 is a top plan view thereof; and,  
 FIG. 6 is a bottom plan view thereof.

[56] **References Cited**  
**U.S. PATENT DOCUMENTS**

2,031,671	2/1936	Rising .....	184/5.1
2,207,659	7/1940	Digman .....	184/5.1
2,248,940	7/1941	Berg .....	184/5.1
2,309,820	2/1943	Berg .....	184/5.1
2,489,809	11/1949	Owens .....	184/5.1



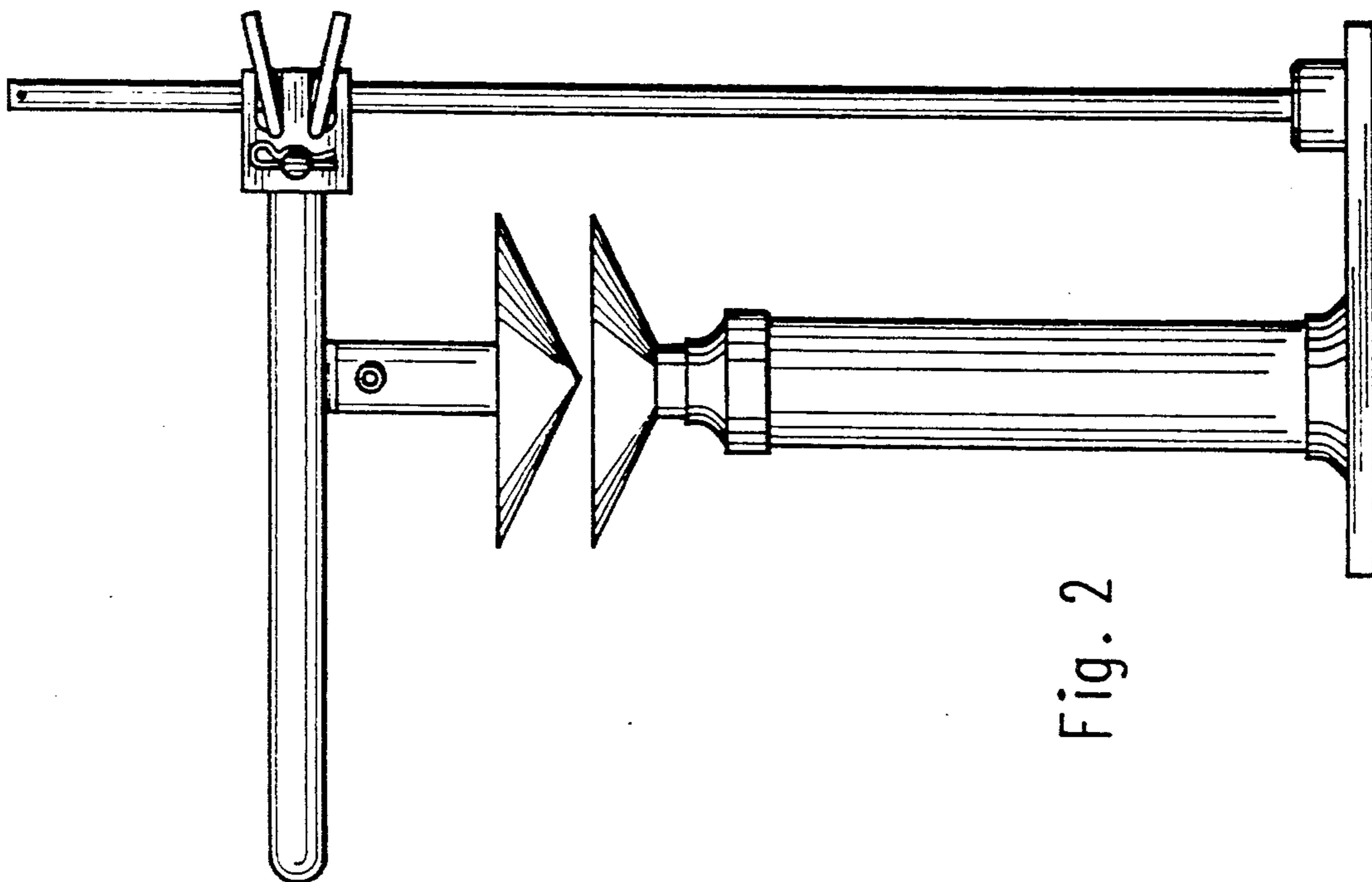


Fig. 2

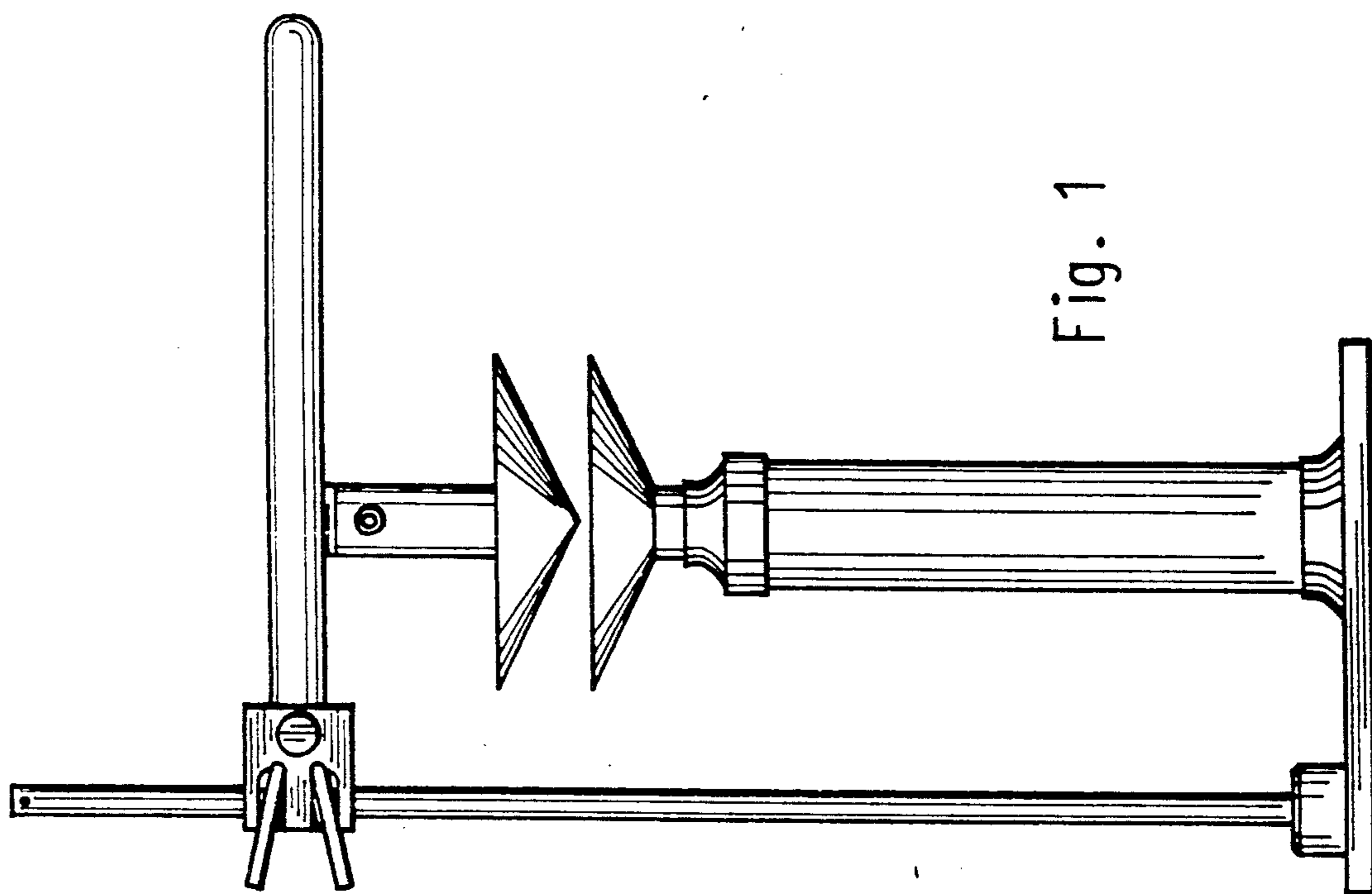


Fig. 1

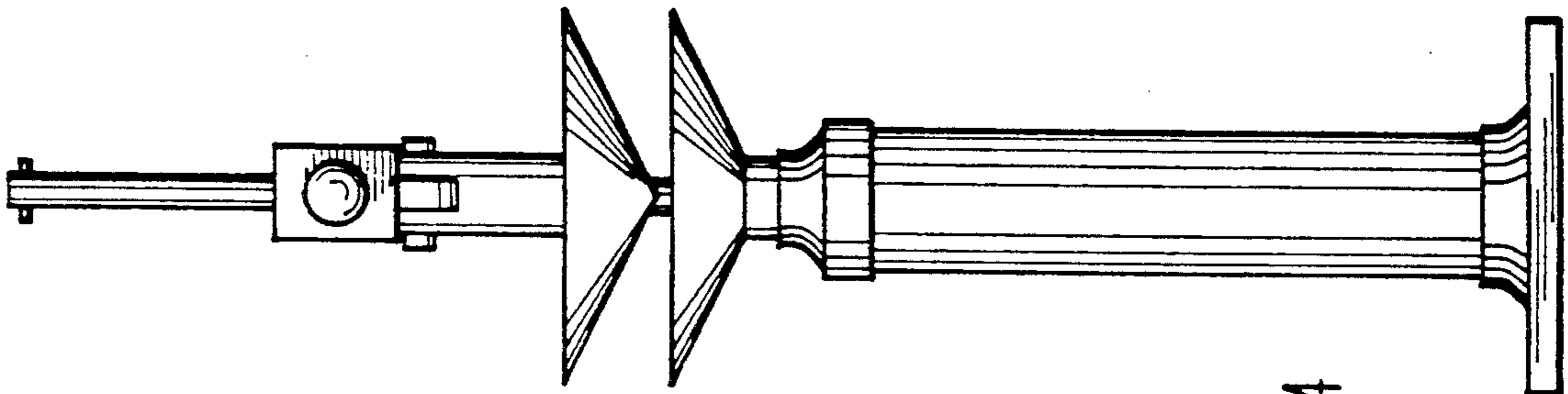


Fig. 3

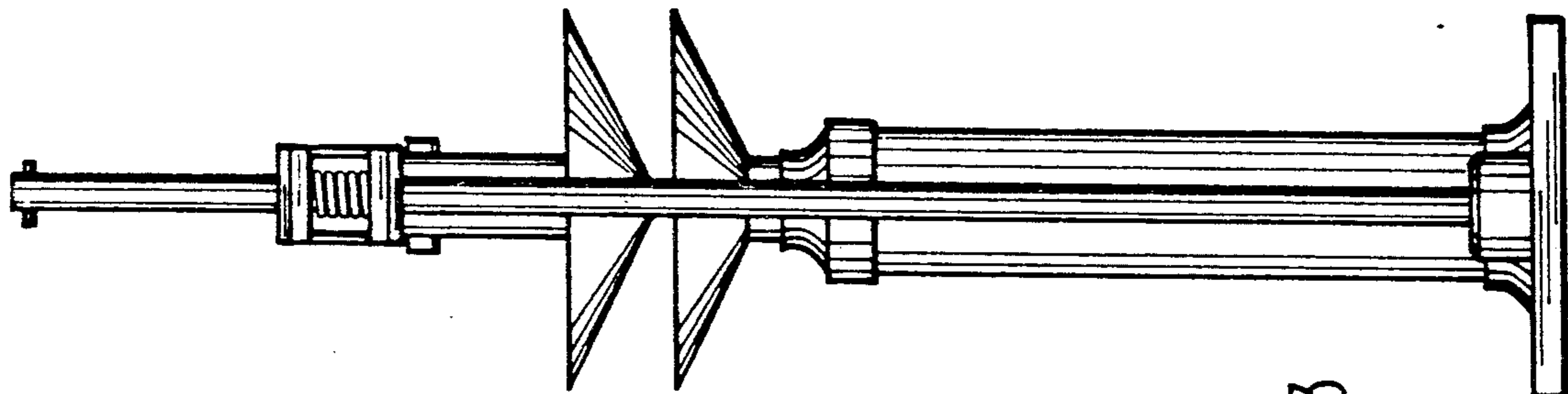


Fig. 4

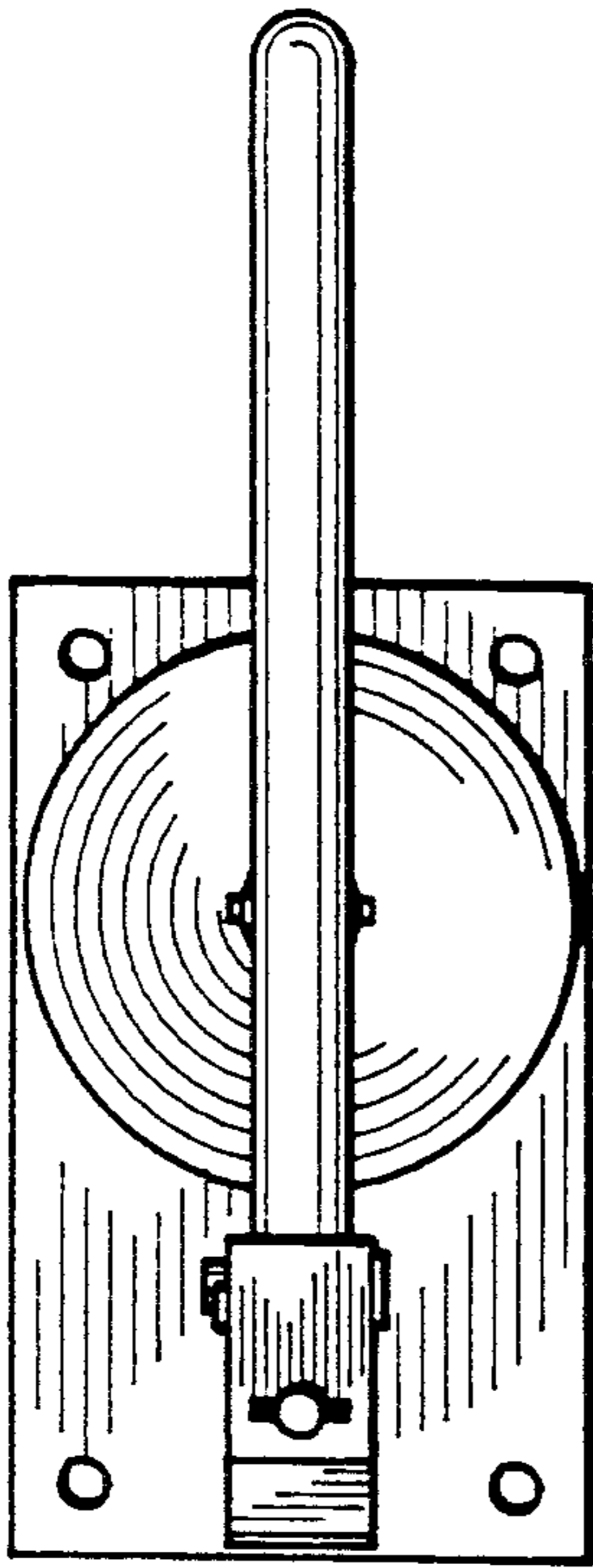


Fig. 5

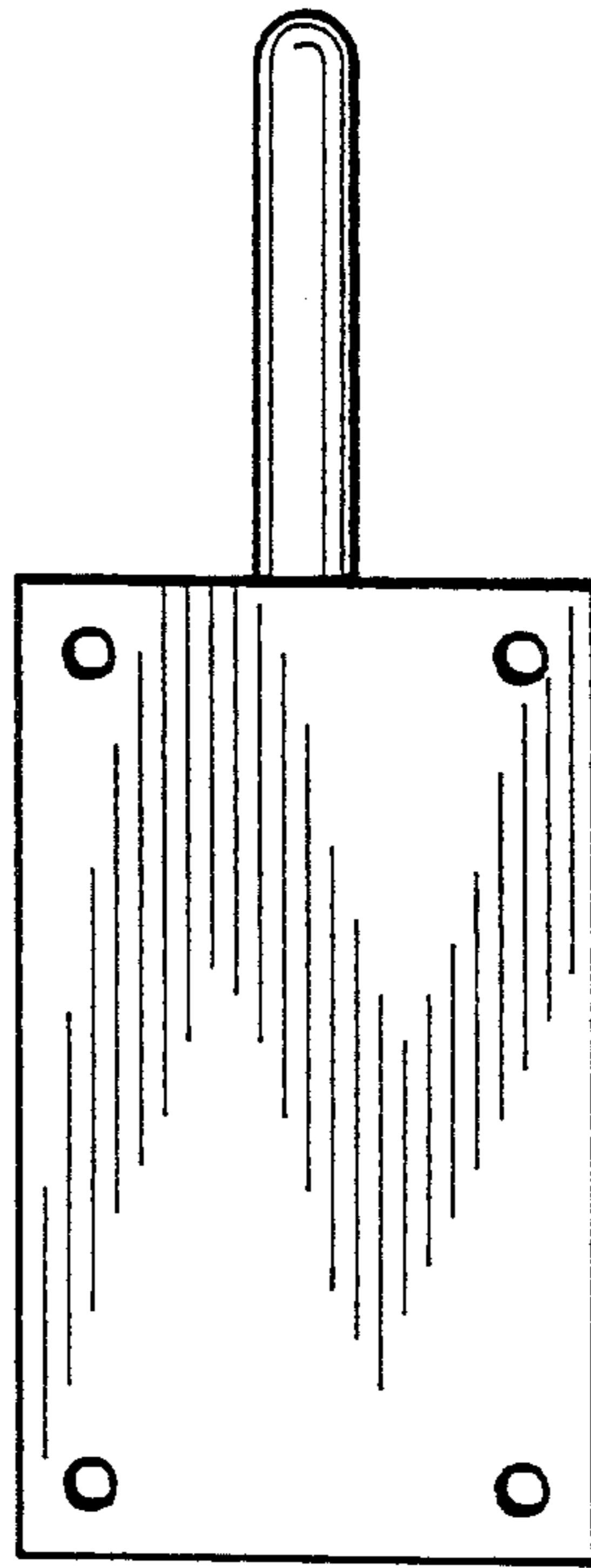


Fig. 6