



US00D327397S

United States Patent [19] McIntyre

[11] Patent Number: Des. 327,397

[45] Date of Patent: ** Jun. 30, 1992

[54] LUG-NUT WRENCH

[75] Inventor: Jonothon M. W. McIntyre, North Hollywood, Calif.

[73] Assignee: Altech Corporation, Coeur d'Alene, Id.

[**] Term: 14 Years

[21] Appl. No.: 554,575

[22] Filed: Jul. 17, 1990

2,619,320	11/1952	Miller	7/166
2,701,707	2/1955	Miller	7/166
3,587,366	6/1971	Klein	81/177.6
3,649,976	3/1972	Isom	7/138
3,742,790	7/1973	Galley	81/177.6
3,872,527	3/1975	Tregoning	7/138
3,949,816	4/1976	Harvath	D8/21
4,733,583	3/1988	Lewis	81/177.6

Primary Examiner—Bernard Ansher
 Assistant Examiner—Philip Hyder
 Attorney, Agent, or Firm—Kelly, Bauersfeld & Lowry

Related U.S. Application Data

[63] Continuation-in-part of Ser. No. 379,288, Jul. 13, 1989, Pat. No. Des. 322,202.

[52] U.S. Cl. D8/21; D8/26

[58] Field of Search D8/21, 26, 28, 29, 14; 81/177.6, 177.5, 177.85; 7/166, 138

References Cited

U.S. PATENT DOCUMENTS

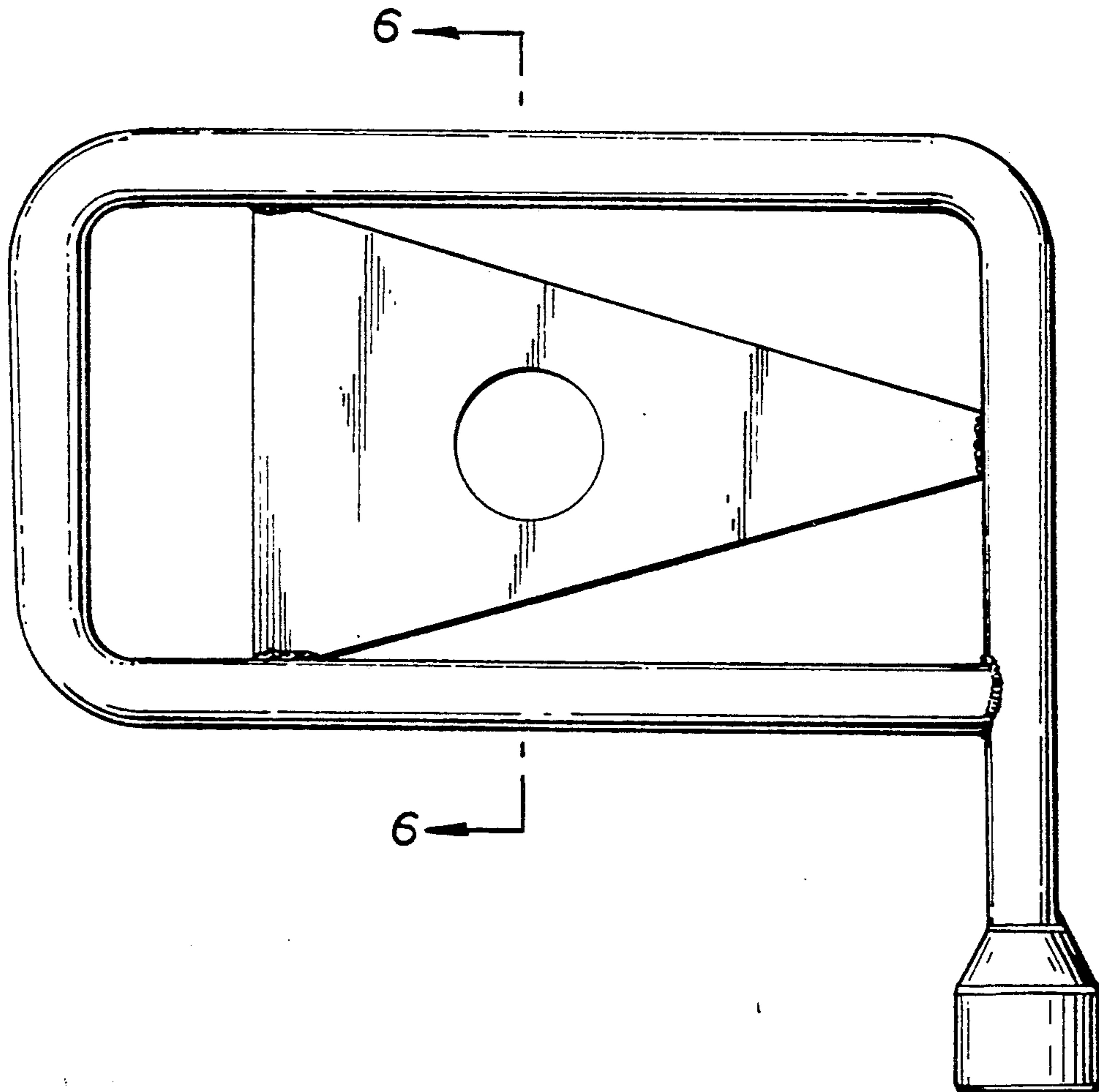
D. 49,037 5/1916 Parsons D8/26
 D. 221,508 8/1971 Chapdelaine D8/26

[57] CLAIM

The ornamental design for a lug-nut wrench, as shown.

DESCRIPTION

FIG. 1 is a front elevational view of a lug-nut wrench showing my new design;
 FIG. 2 is a top plan view thereof;
 FIG. 3 is a bottom plan view thereof;
 FIG. 4 is a left side elevational view thereof;
 FIG. 5 is a right side elevational view thereof; and,
 FIG. 6 is a cross sectional view taken along 6—6 of FIG. 1.



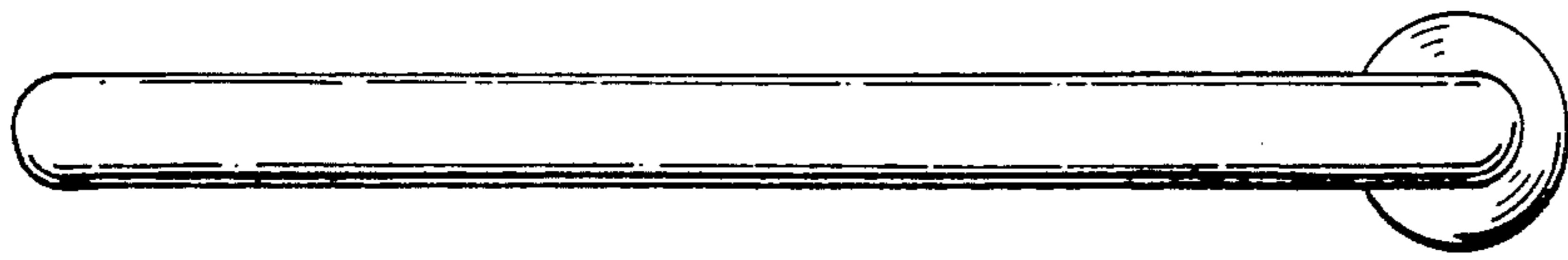


FIG. 2

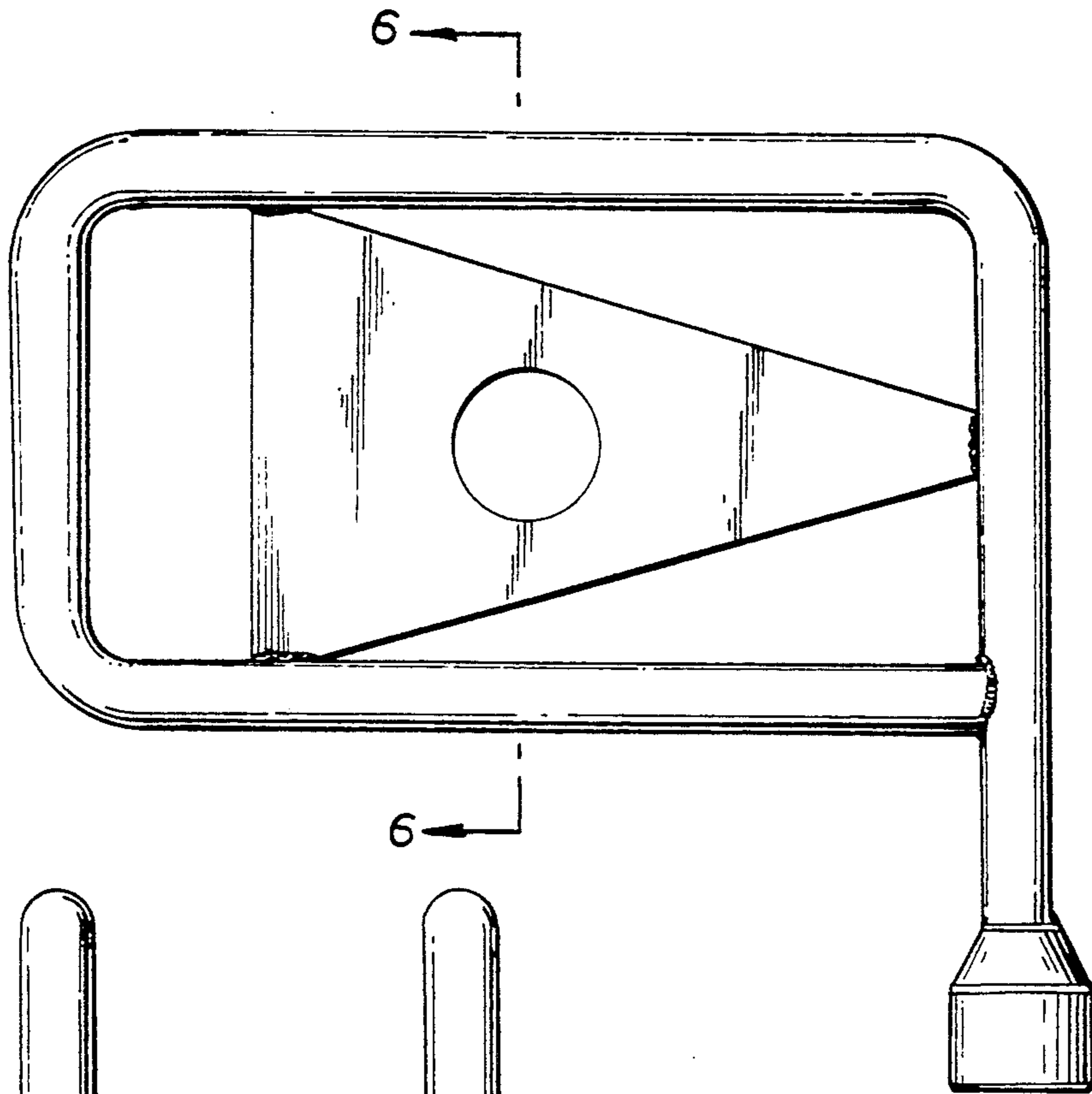


FIG. 1

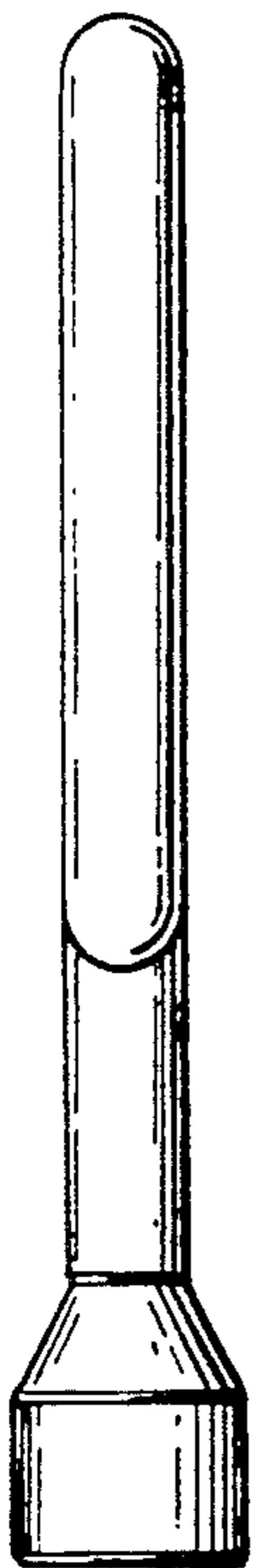


FIG. 4

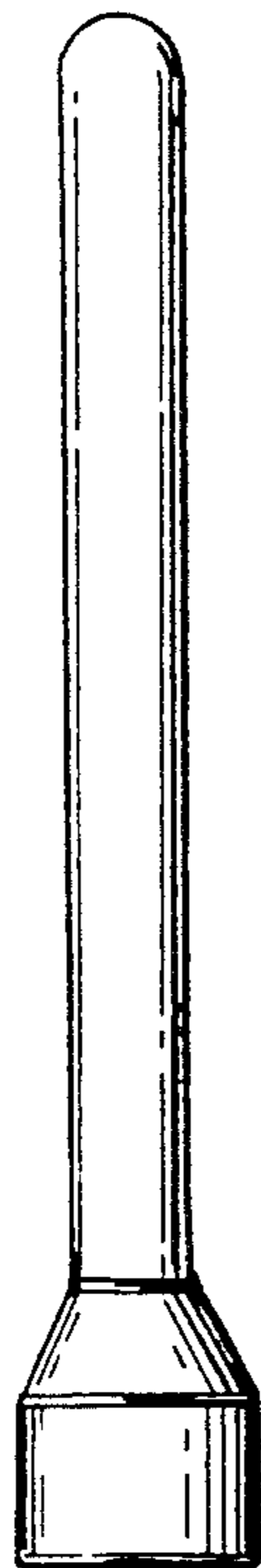


FIG. 5



FIG. 6

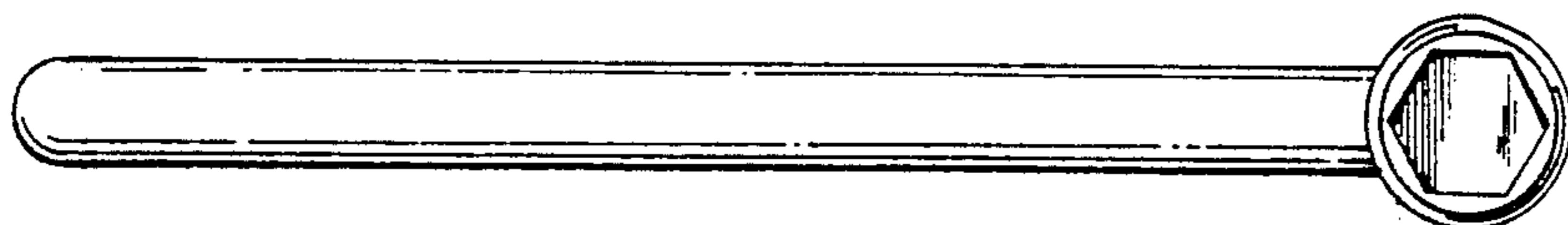


FIG. 3