



US00D327395S

United States Patent [19]

[11] Patent Number: **Des. 327,395**

Rossari

[45] Date of Patent: **** Jun. 30, 1992**

[54] **NAPKIN HOLDER**

1,986,071 1/1935 Ruske D7/633 X

[75] Inventor: **Ambrogio Rossari, Milan, Italy**

OTHER PUBLICATIONS

[73] Assignee: **Fratelli Guzzini S.p.A., Recanati, Italy**

M. Plastics, Jul. 1952, p. 97, Combined Salt, Pepper and Napkin Holder.

[**] Term: **14 Years**

Primary Examiner—Terry A. Pfeffer
Attorney, Agent, or Firm—Hedman, Gibson & Costigan

[21] Appl. No.: **471,715**

[57] CLAIM

[22] Filed: **Jan. 29, 1990**

The ornamental design for a napkin holder, as shown and described.

[30] Foreign Application Priority Data

DESCRIPTION

Aug. 23, 1989 [IT] Italy 21622/89[U]

[52] U.S. Cl. **D7/633**

[58] Field of Search D7/631-634;
D8/394; D19/65; 24/7-9

FIG. 1 is a top perspective view of a napkin holder showing my new design;

FIG. 2 is a front elevational view thereof;

FIG. 3 is a rear elevational view thereof;

FIG. 4 is a side elevational view thereof, the opposite side being a mirror image;

FIG. 5 is a top plan view thereof; and,

FIG. 6 is a bottom plan view thereof.

[56] References Cited

U.S. PATENT DOCUMENTS

D. 276,206 11/1984 Williams D7/633

D. 276,786 12/1984 Chen D19/65 X

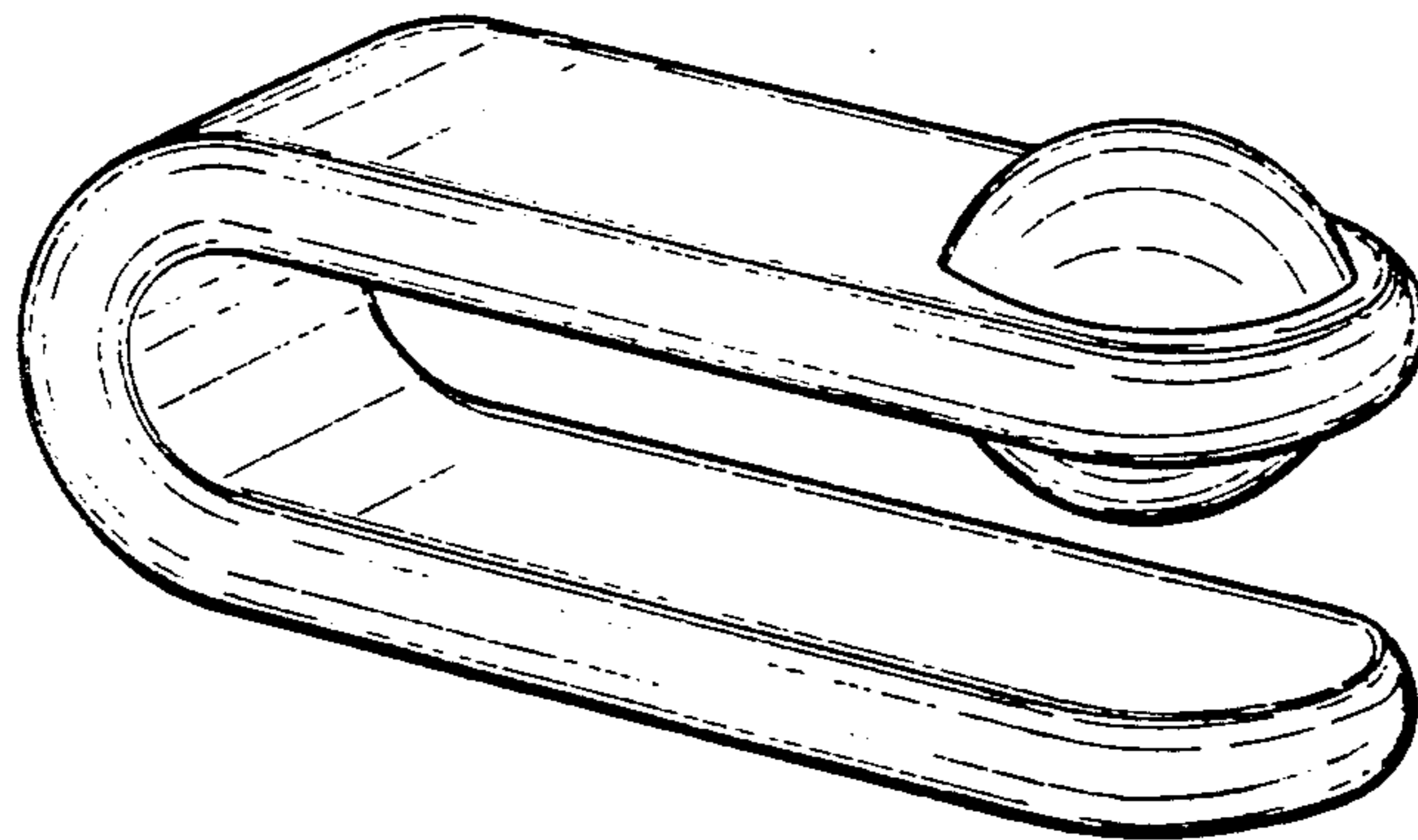


Fig.1

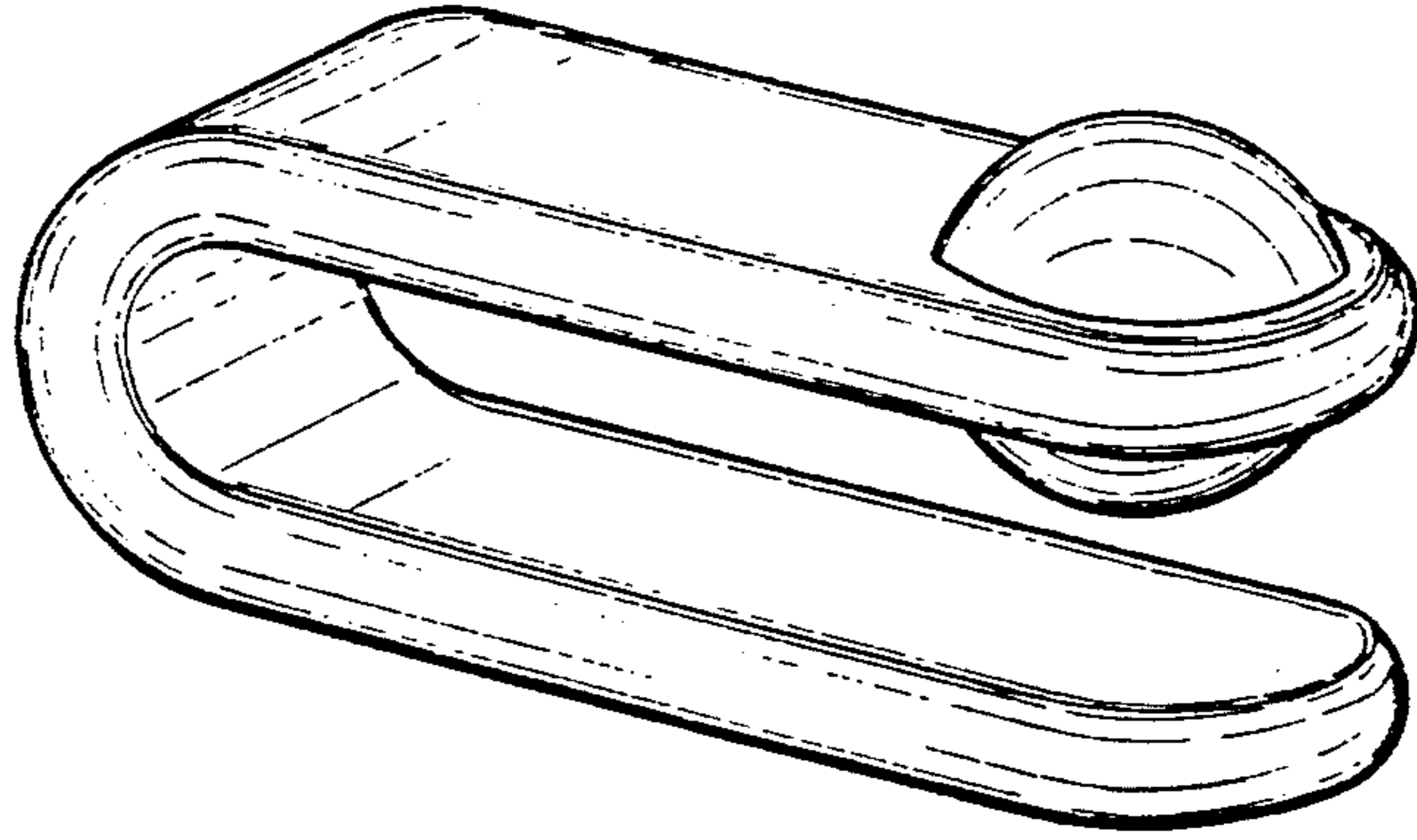


Fig.6



Fig.4

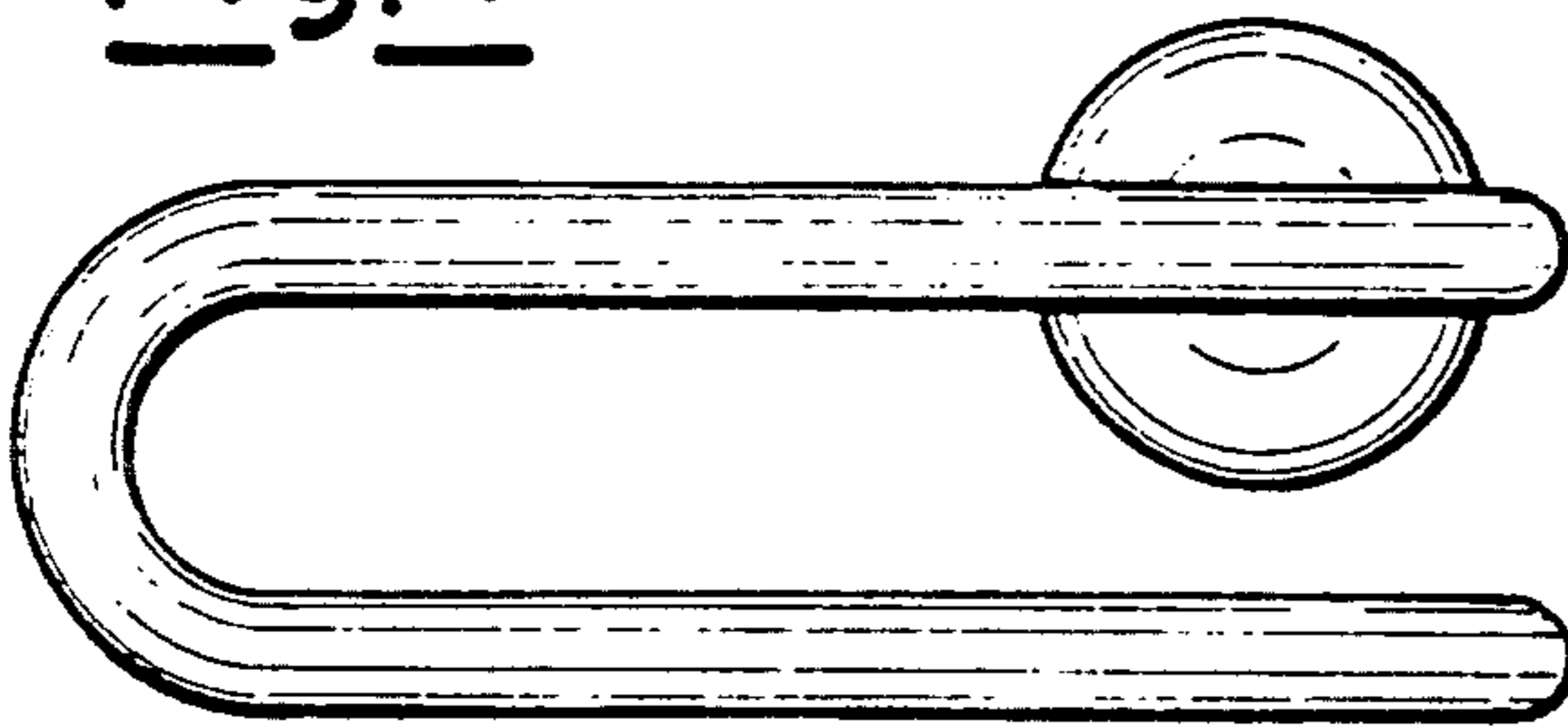


Fig.2

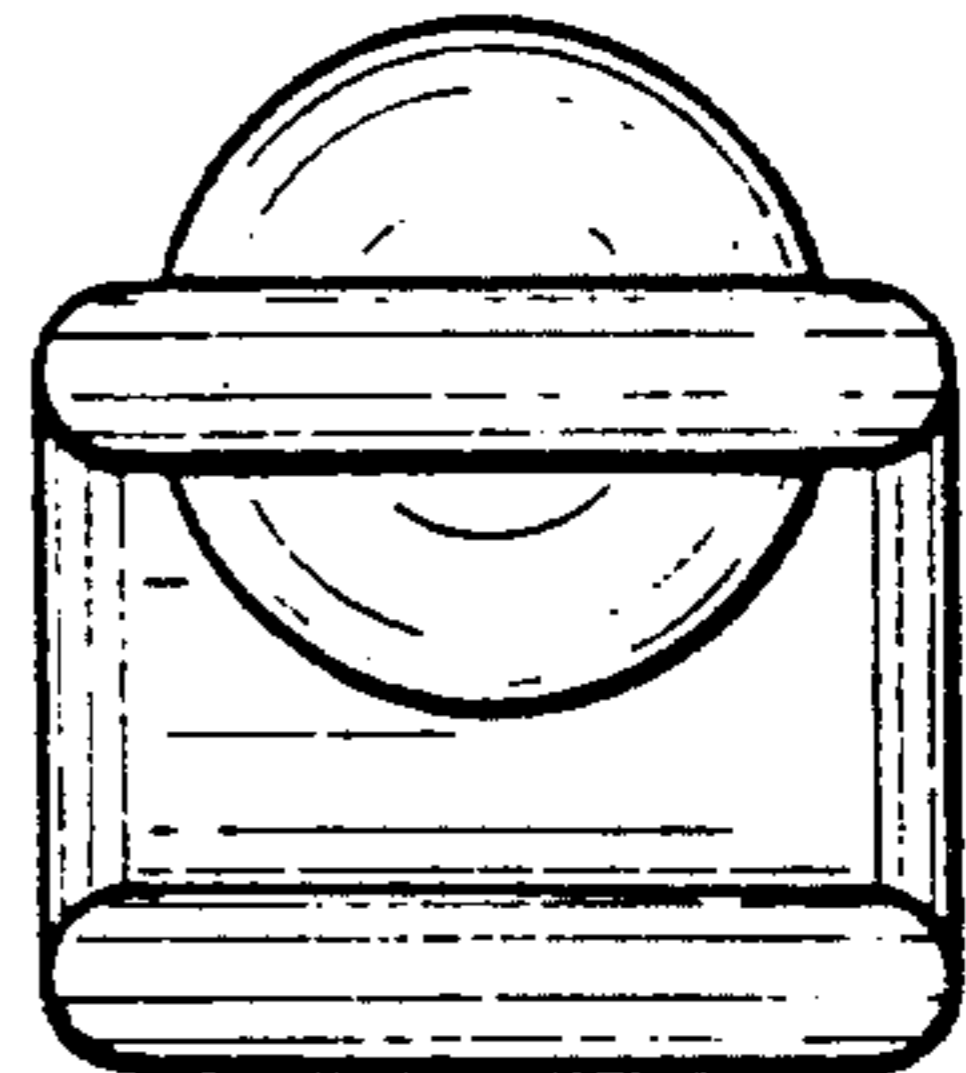


Fig.5

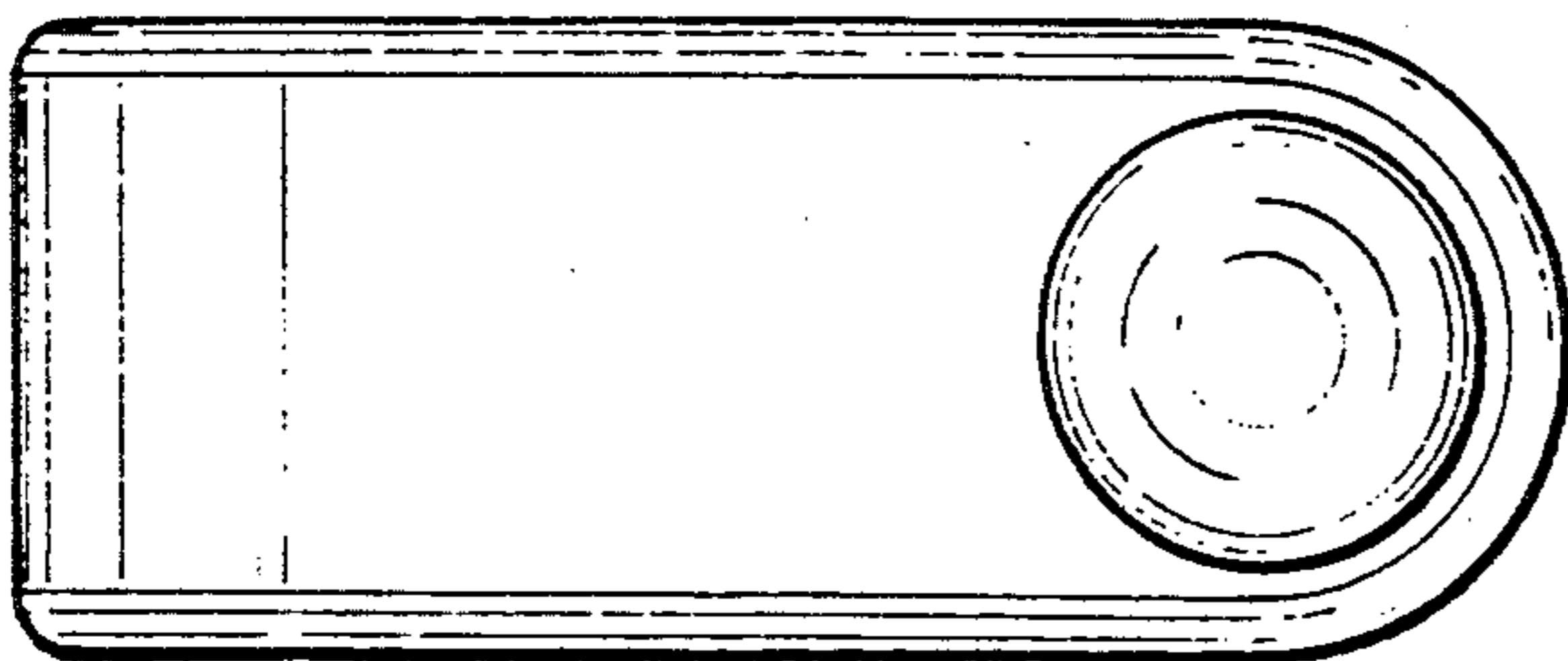


Fig.3

